



US00D379189S

United States Patent [19]

[11] Patent Number: **Des. 379,189**

Maruyama et al.

[45] Date of Patent: ****May 13, 1997**

[54] COMBINED VIDEO TAPE RECORDER AND CAMERA

FOREIGN PATENT DOCUMENTS

06303468 10/1994 Japan H04N 5/225

[75] Inventors: **Yukinobu Maruyama; Atsuhiko Urushihara**, both of Kokubunji; **Ryuichi Nemoto, Iruma; Nariaki Syigyo**, Mito, all of Japan

OTHER PUBLICATIONS

Sharp Catalog, 1993 Cover page (VL-HL1; VL-EL10/EL10A & VL-EL300).
Camcorder, Dec. 1993 p. 128 (Sharp's video camera).

[73] Assignee: **Hitachi, Ltd.**, Tokyo, Japan

Primary Examiner—Ted Shooman

[**] Term: **14 Years**

Assistant Examiner—Adir Aronovich

Attorney, Agent, or Firm—Antonelli, Terry, Stout & Kraus

[21] Appl. No.: **45,824**

[57] CLAIM

[22] Filed: **Oct. 31, 1995**

The ornamental design for an combined video tape recorder and camera, as shown and described.

[30] Foreign Application Priority Data

DESCRIPTION

May 10, 1995 [JP] Japan 12825/1995

FIG. 1 is a front, top and right side perspective view of an combined video tape recorder and camera showing our new design;

[51] LOC (6) Cl. **16-01**

[52] U.S. Cl. **D16/202**

[58] Field of Search D16/200-205,
D16/208; 348/207, 209, 373-376, 143;
352/34, 242, 243; 354/81, 82, 288; 358/906,
909.1; H04N 5/225

FIG. 2 is a front elevational view thereof;

FIG. 3 is a right side elevational view thereof;

FIG. 4 is a top plan view thereof;

FIG. 5 is a bottom plan view thereof;

FIG. 6 is a rear elevational view thereof;

FIG. 7 is a left side elevational view thereof;

FIG. 8 is a rear perspective view in condition that the camera part is detached from fixational part; and,

FIG. 9 is a front perspective view in condition that the camera part is rotated forward.

[56] References Cited

U.S. PATENT DOCUMENTS

D. 352,728	11/1994	Kurokawa et al.	D16/202
D. 356,097	3/1995	Sakata et al.	D16/202
D. 356,326	3/1995	Miyashita	D16/202
D. 365,116	12/1995	Ohi et al.	D16/202

1 Claim, 6 Drawing Sheets

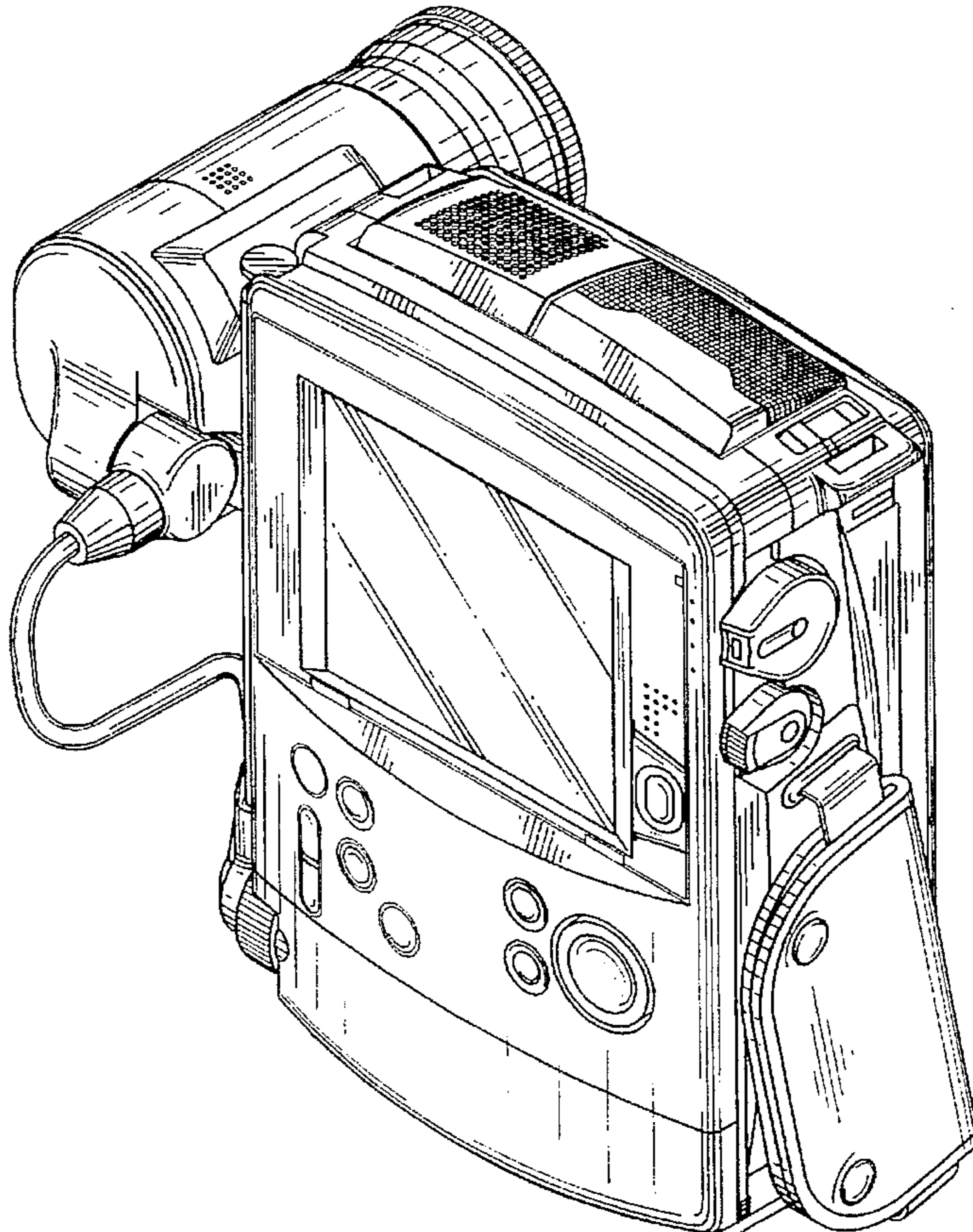


FIG. 1

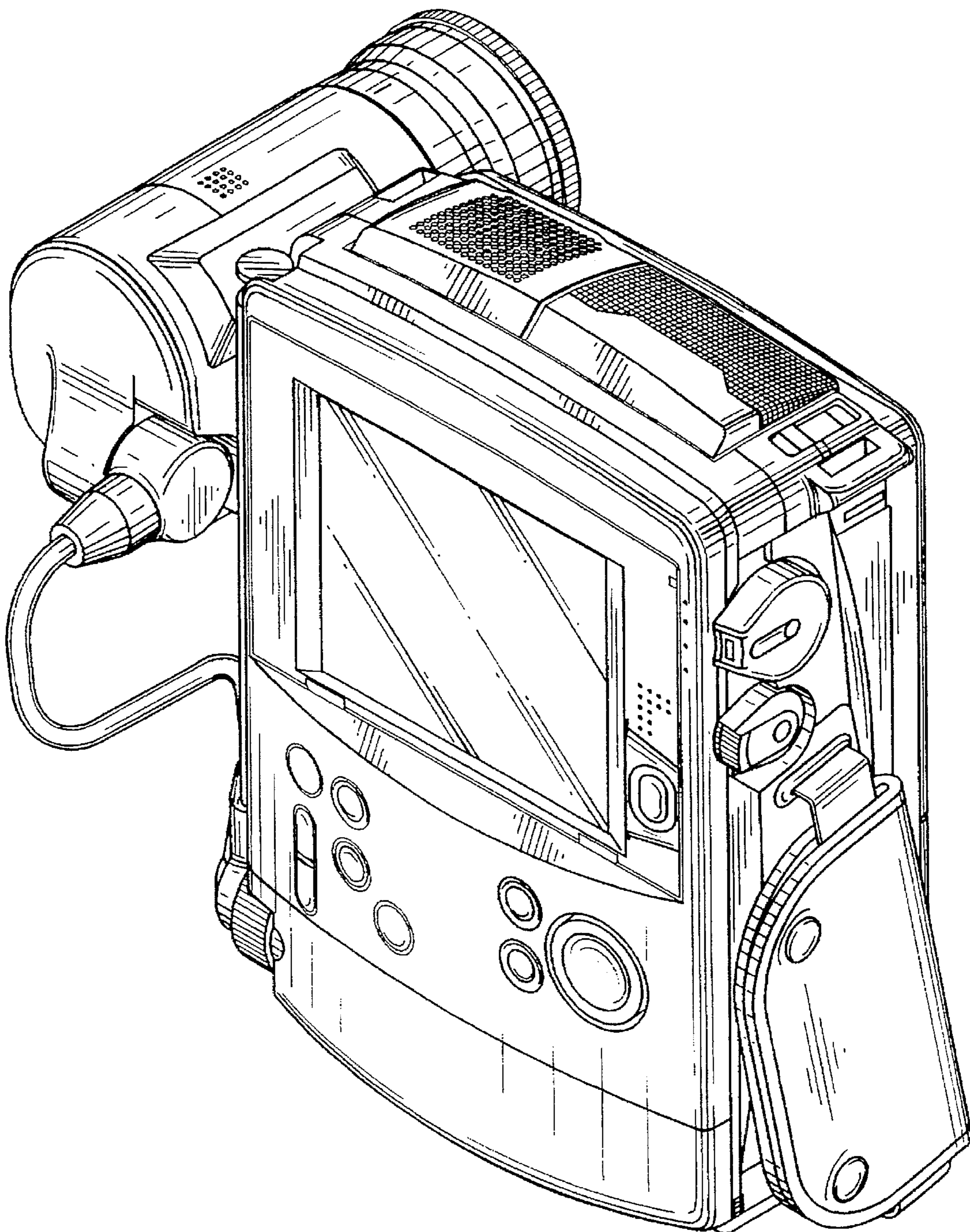


FIG. 3

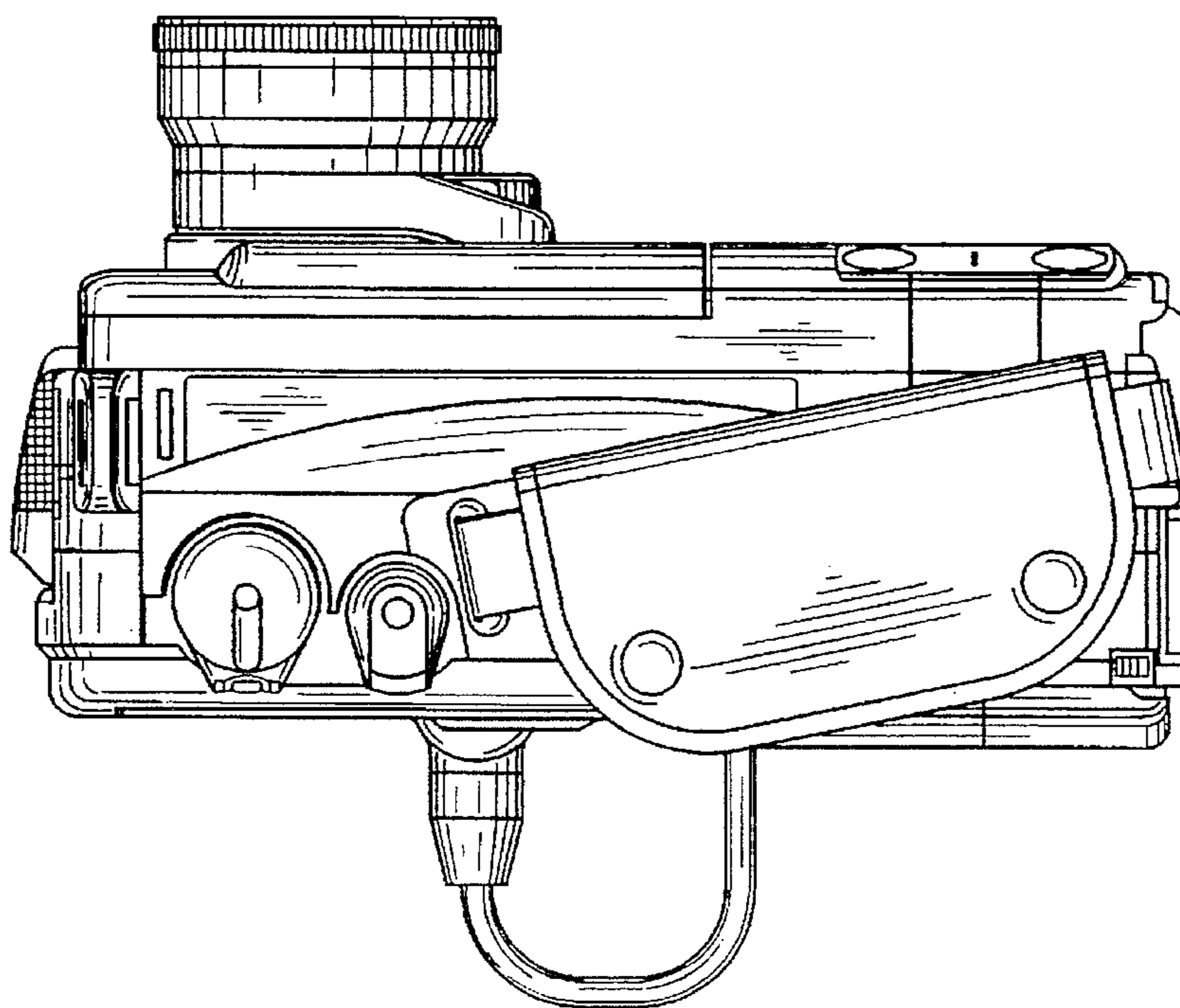


FIG. 2

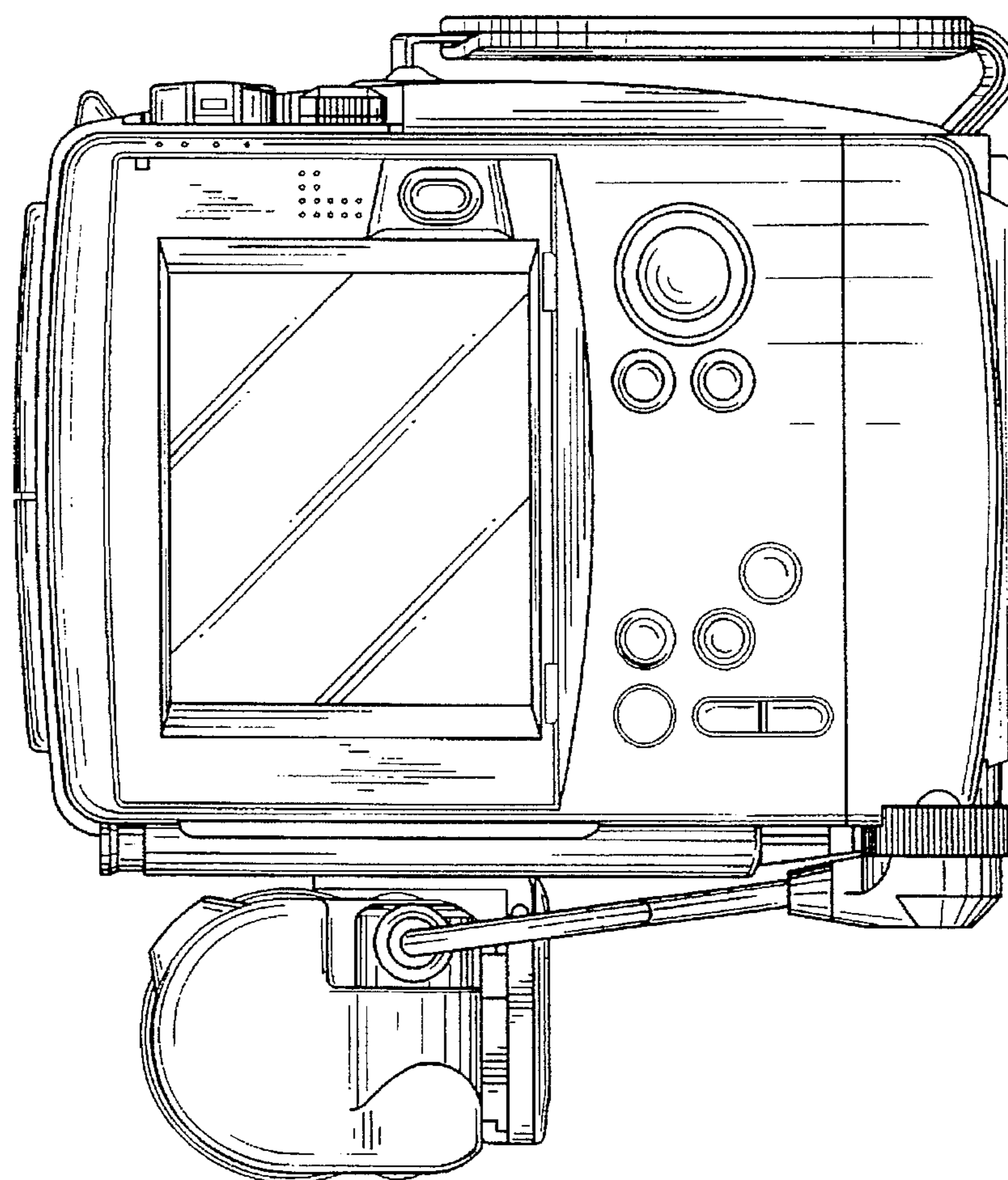


FIG. 4

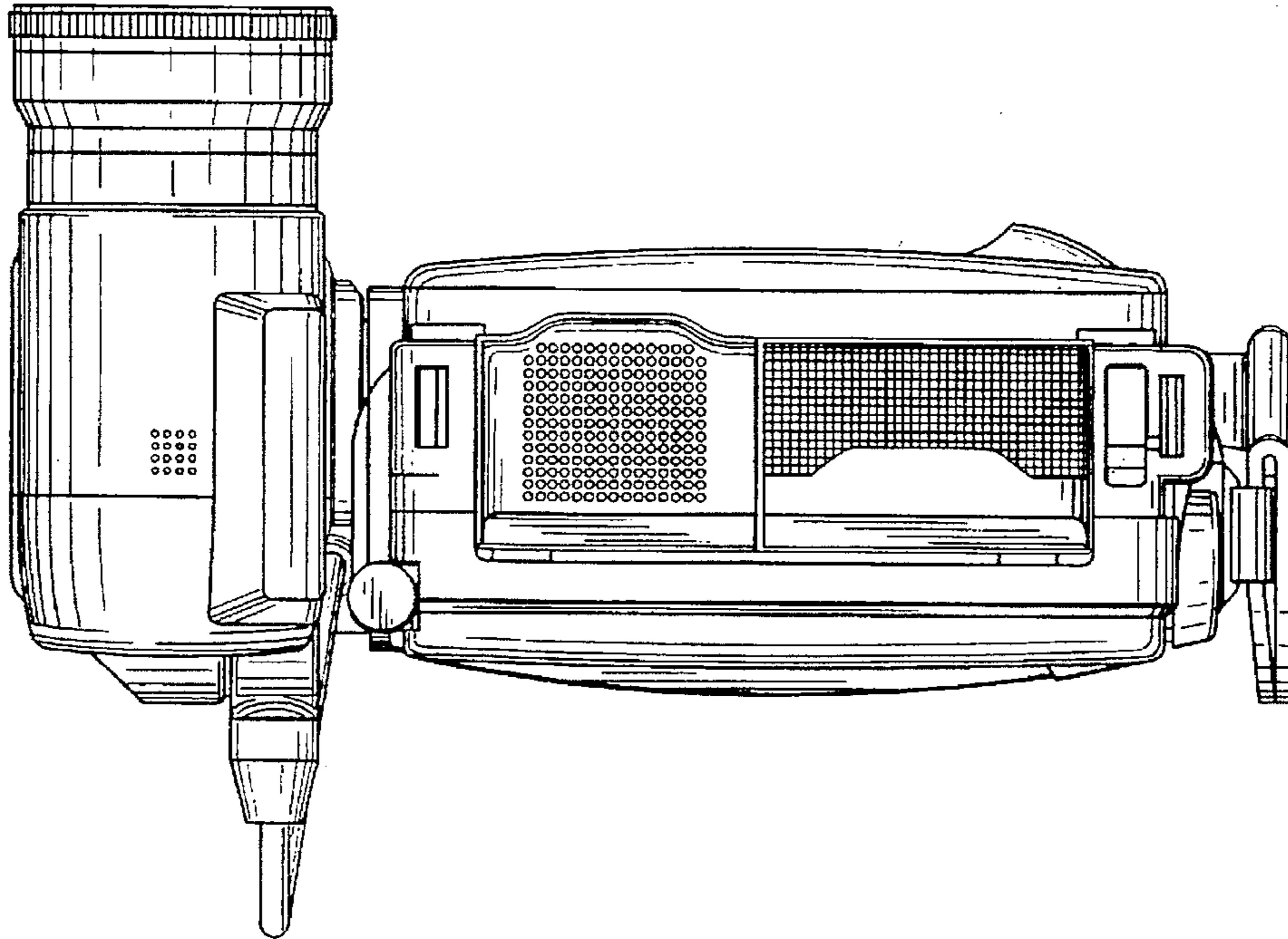


FIG. 5

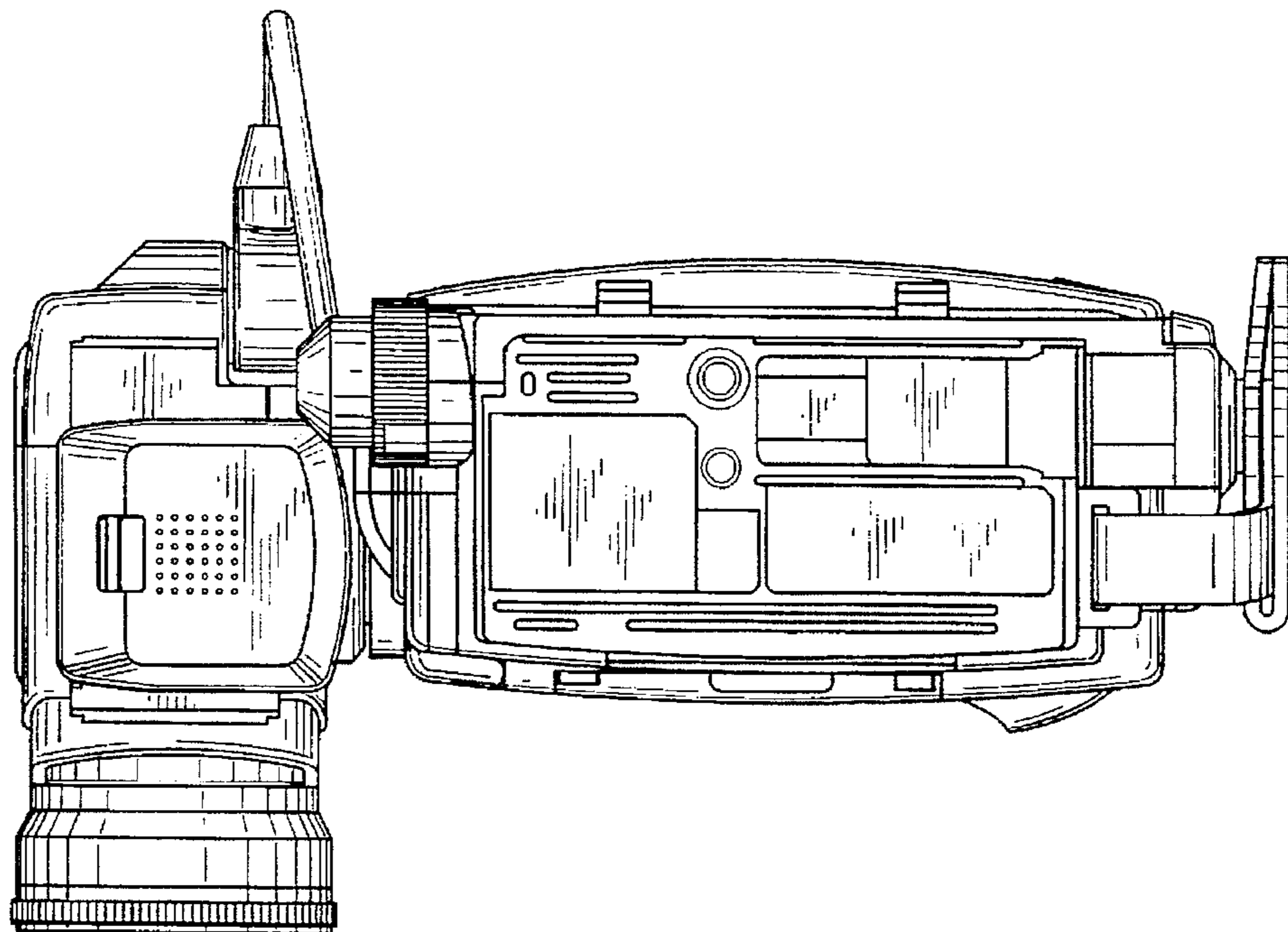


FIG. 7

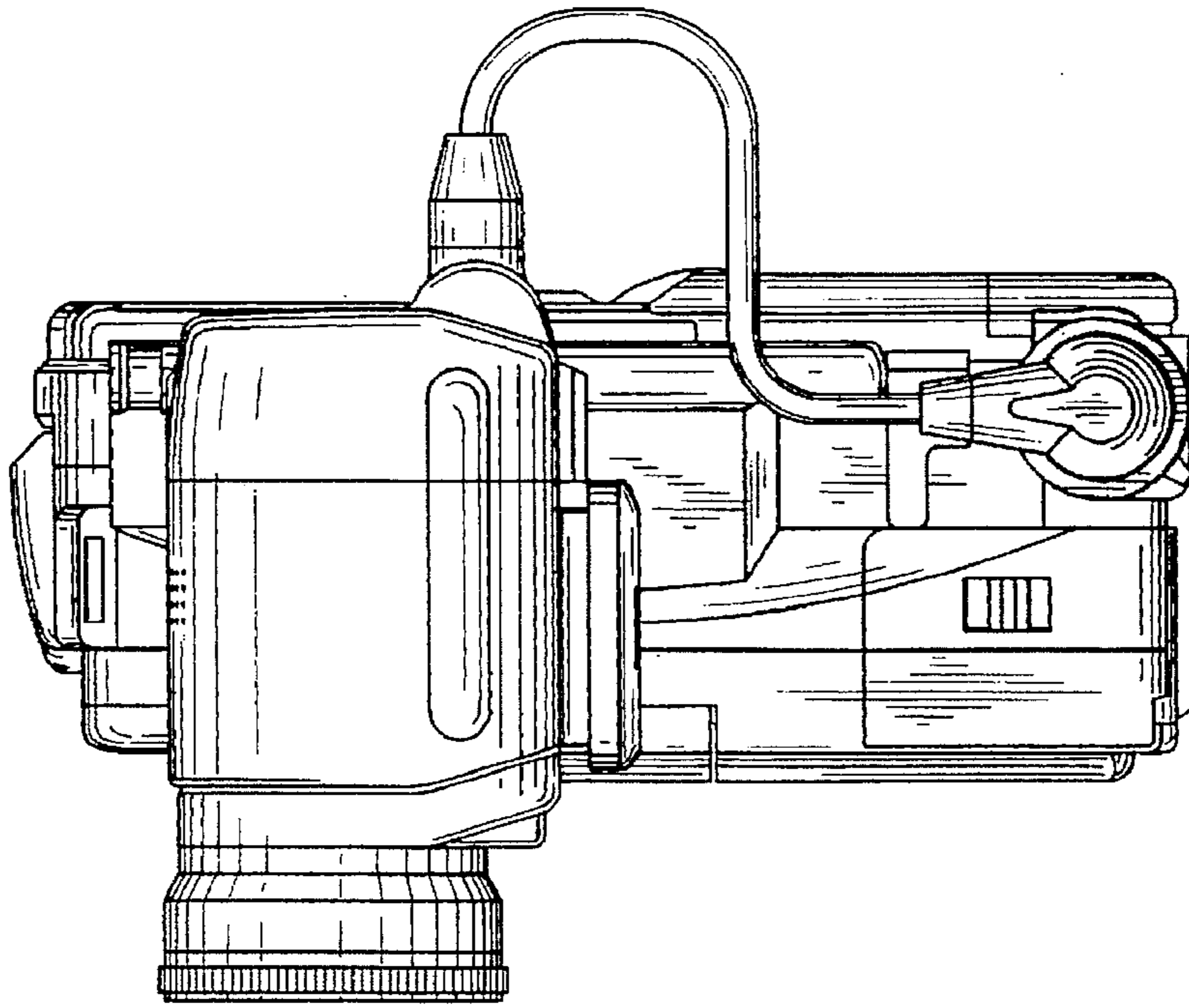


FIG. 6

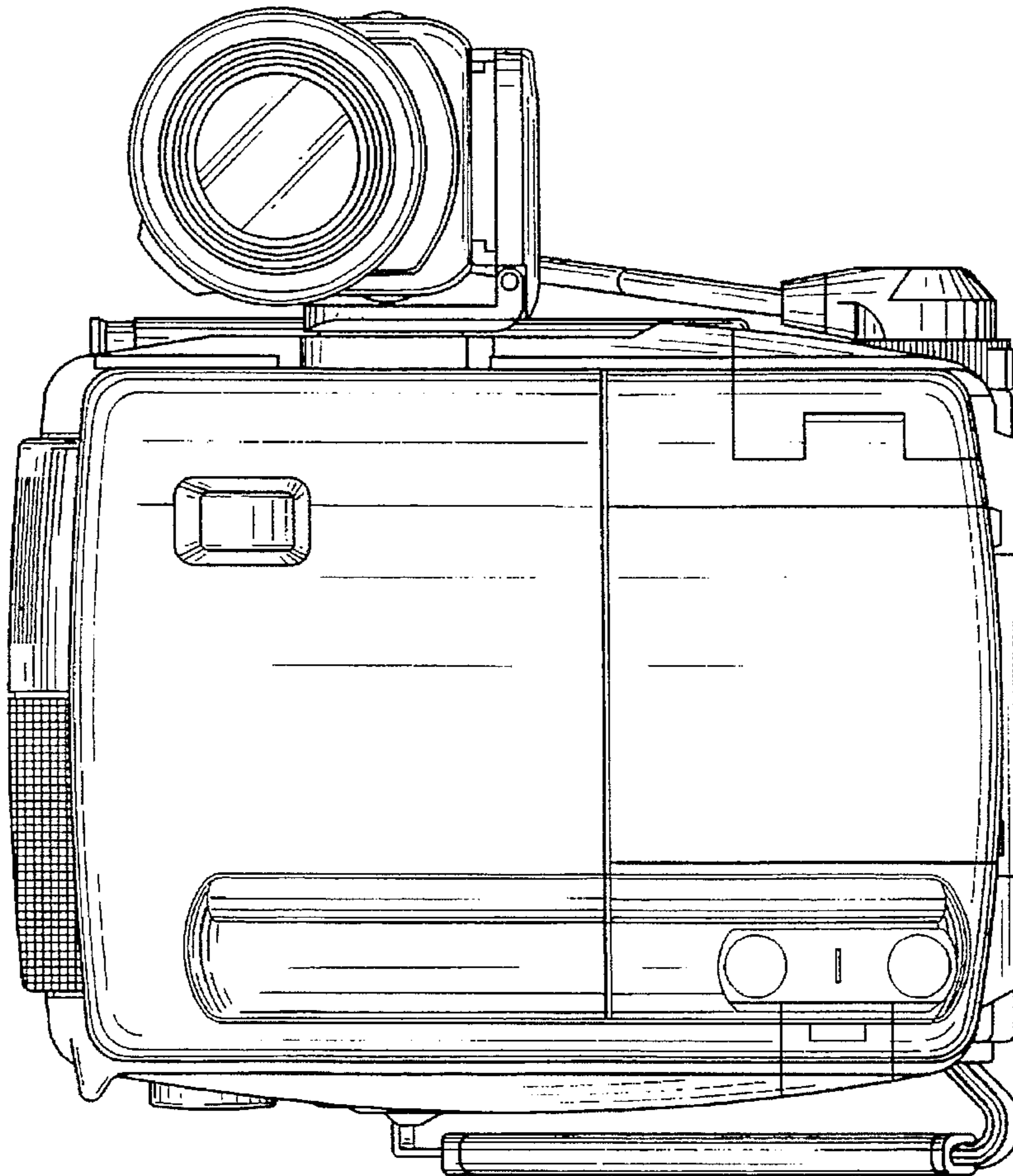


FIG. 8

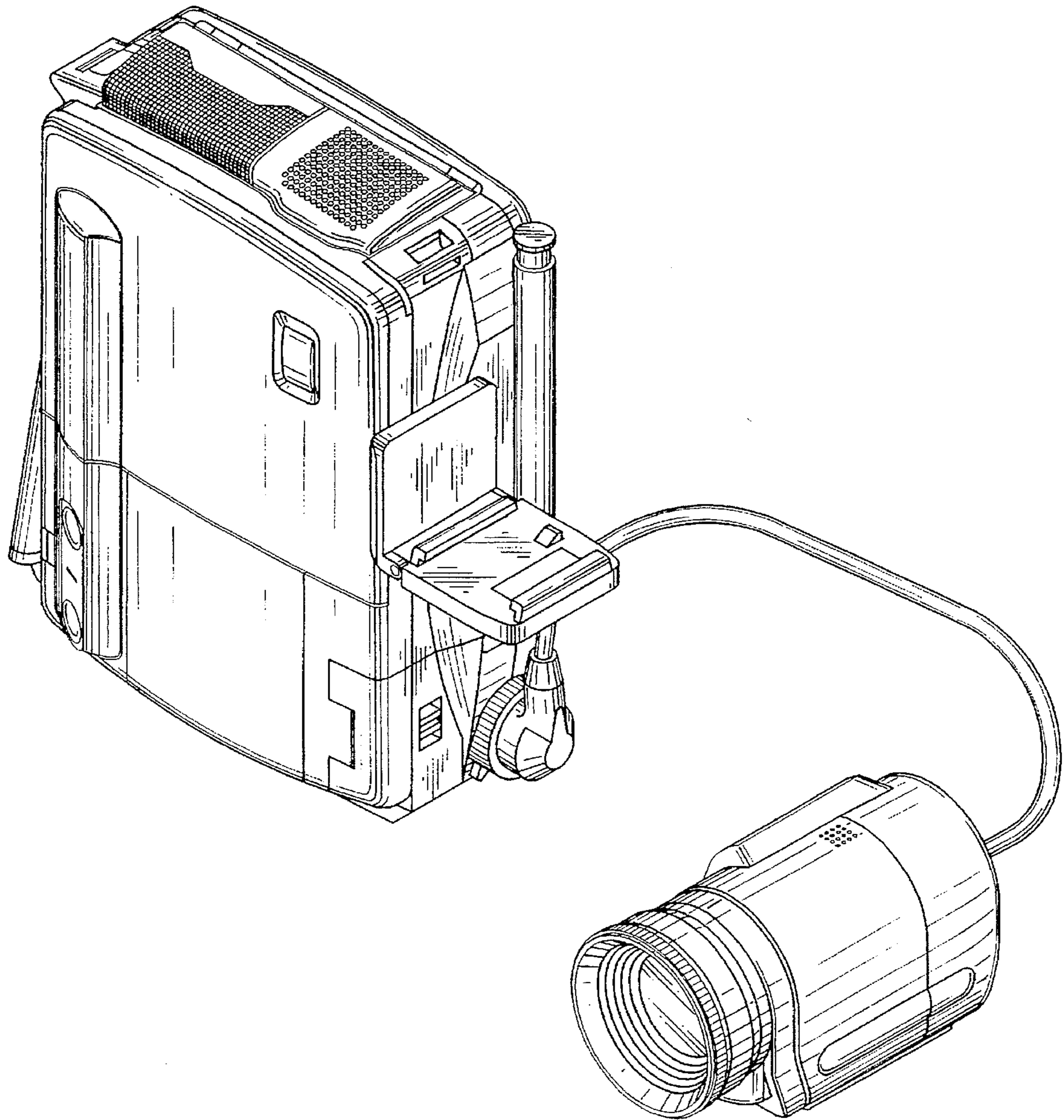


FIG. 9

