



US00D379179S

United States Patent [19]

Kawauchi et al.

[11] Patent Number: Des. 379,179

[45] Date of Patent: **May 13, 1997

[54] COMPUTER KEYBOARD

[75] Inventors: **Masahiko Kawauchi; J. Scott Petermann**, both of San Jose; **Shigetoshi Amano**, Sunnyvale; **Thomas Overthun**, San Francisco, all of Calif.

[73] Assignee: **Alps Electric (USA) Inc.**, San Jose, Calif.

[**] Term: **14 Years**

[21] Appl. No.: **42,345**

[22] Filed: **Aug. 7, 1995**

[51] LOC (6) Cl. **14-02**

[52] U.S. Cl. **D14/115**

[58] Field of Search D14/100, 101, D14/105, 106; D18/1, 7; 235/145 A, 145 R; 200/5 A, 5 R, 6 A, 6 R; 345/168, 163, 160; 341/22, 23; 364/708.1; 400/472, 479, 484-486, 488, 489

[56] References Cited

U.S. PATENT DOCUMENTS

D. 357,476	4/1995	Paull et al.	D14/115
D. 362,432	9/1995	Paull et al.	D14/115
D. 363,277	10/1995	Chung	D14/115
D. 363,928	11/1995	Martin	D14/115

Primary Examiner—Freda Nunn

Attorney, Agent, or Firm—Guy W. Shoup; Patrick T. Bever

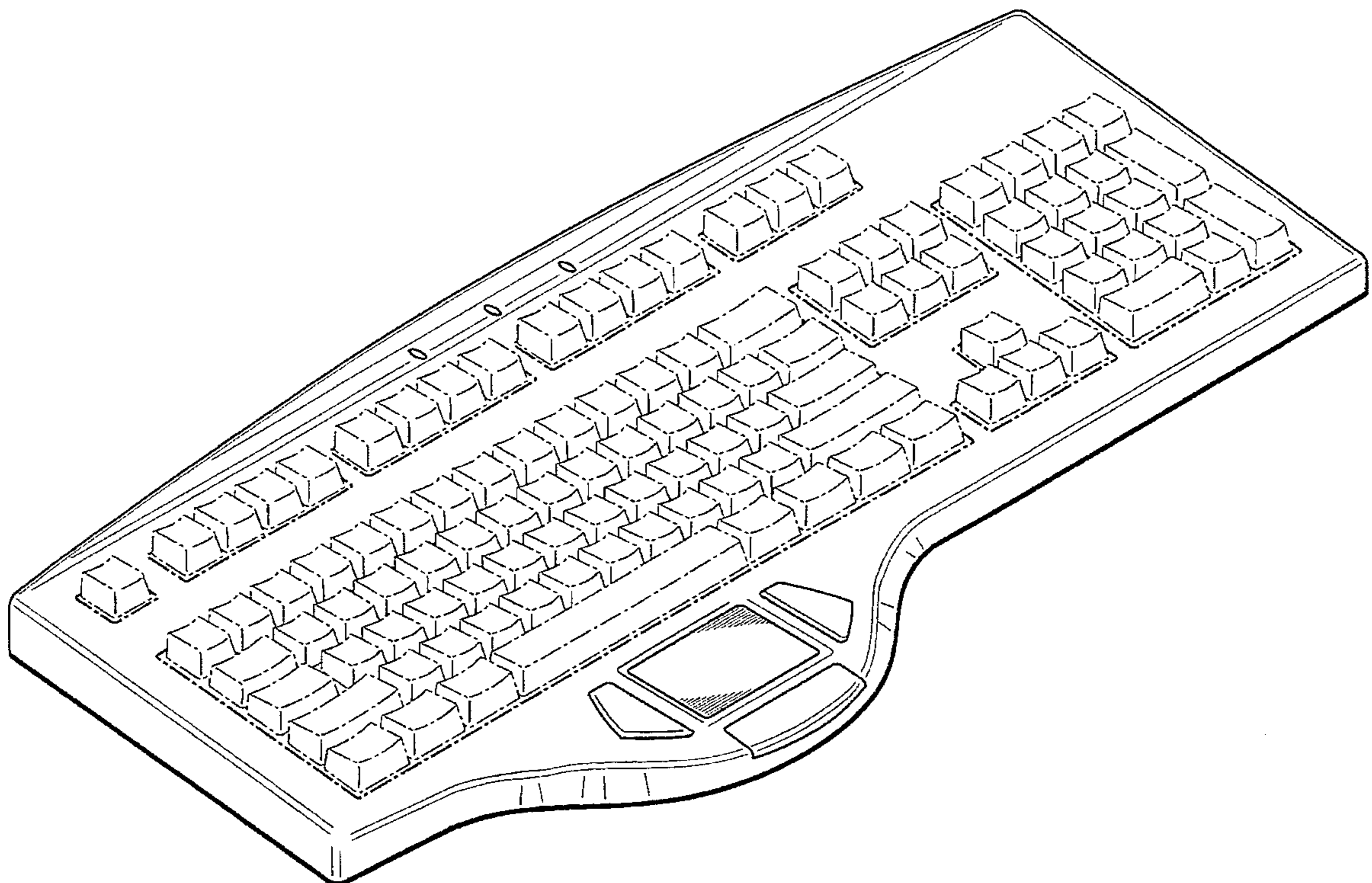
[57] CLAIM

The ornamental design for a computer keyboard, as shown and described.

DESCRIPTION

FIG. 1 is a perspective front view of a computer keyboard according to a first embodiment;
 FIG. 2 is a front elevation view of the first embodiment;
 FIG. 3 is a left side elevation view of the first embodiment the right side is a mirror image thereof;
 FIG. 4 is a back elevation view of the first embodiment;
 FIG. 5 is a top plan view of the first embodiment;
 FIG. 6 is a bottom plan view of the first embodiment;
 FIG. 7 is a perspective front view of a computer keyboard according to a second embodiment;
 FIG. 8 is a front elevation view of the second embodiment the back view is the same as that shown in FIG. 4;
 FIG. 9 is a left side elevation view of the second embodiment the right side is a mirror image thereof;
 FIG. 10 is a top plan view of the second embodiment; and,
 FIG. 11 is a bottom plan view of the second embodiment.
 The keys are shown in broken lines in the views for illustrative purposes only and form no part of the claimed design.

1 Claim, 6 Drawing Sheets



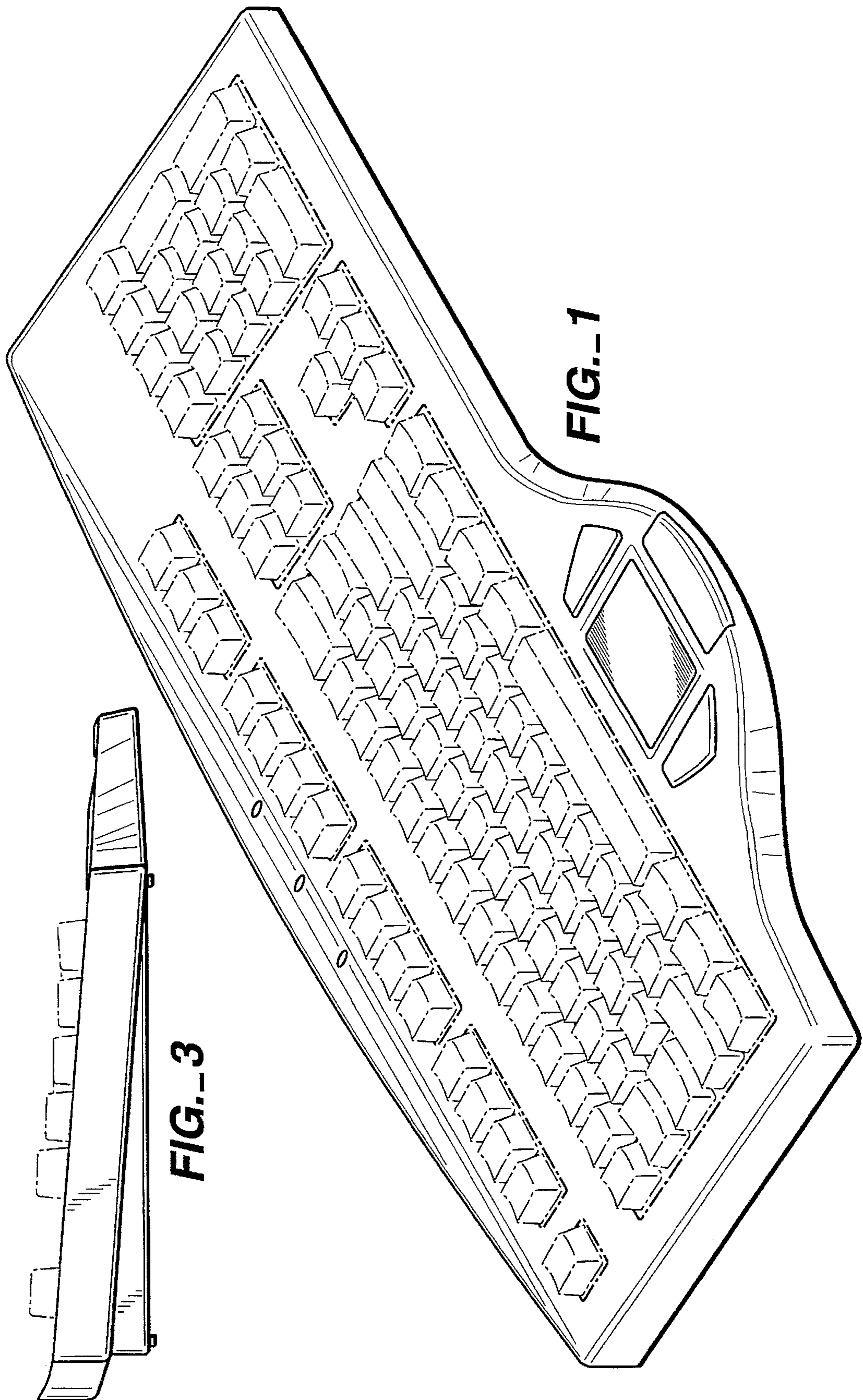


FIG.-1

FIG.-3

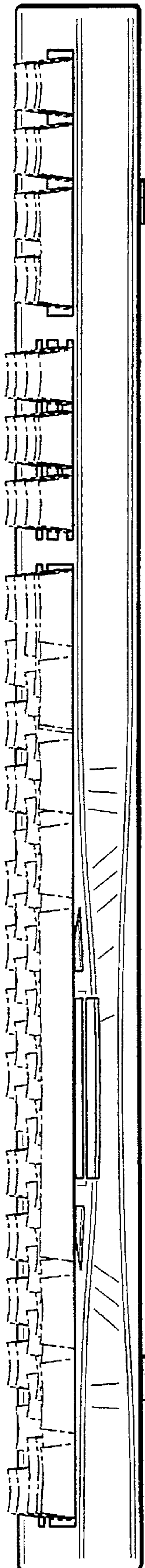


FIG. 2

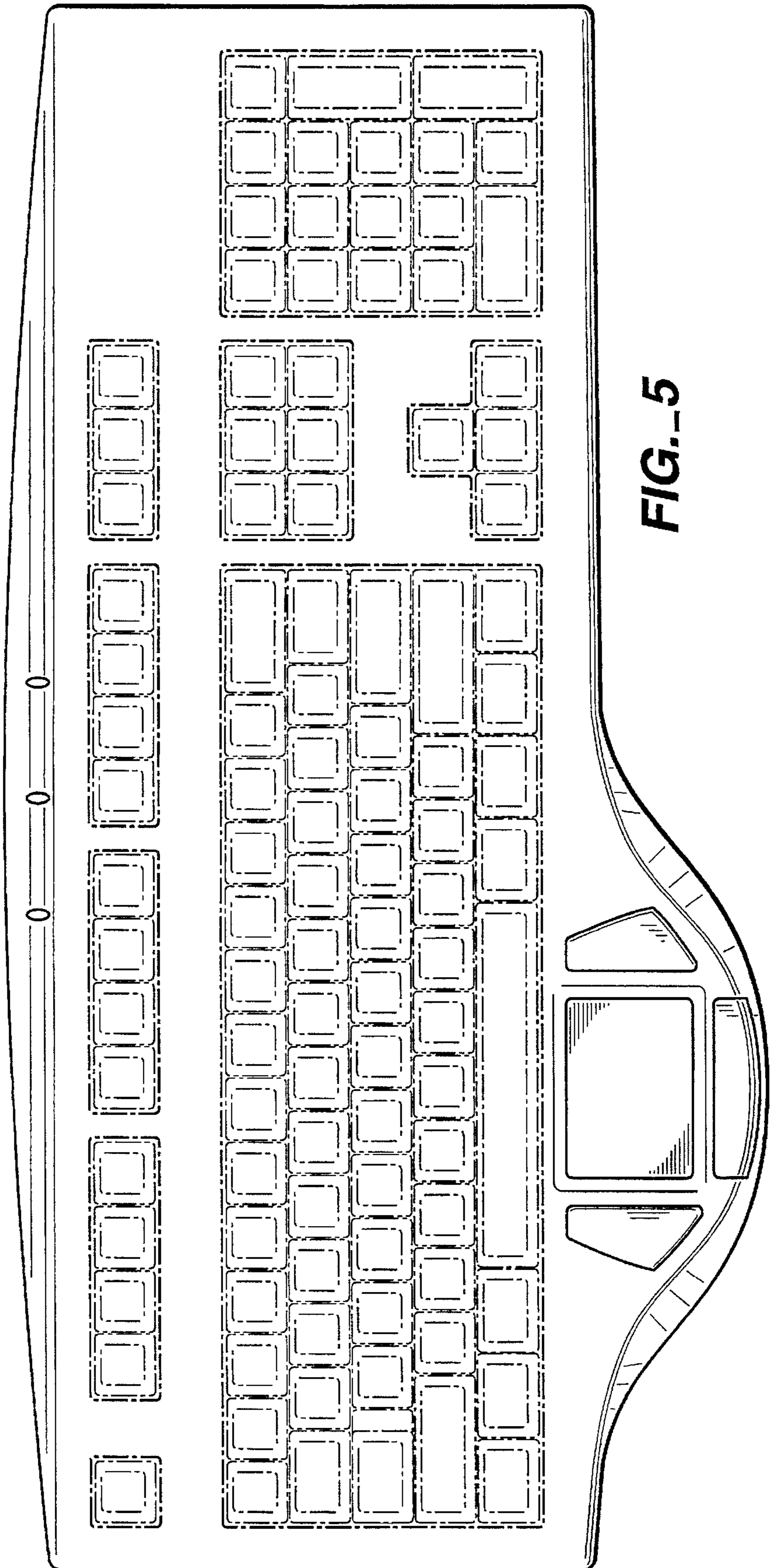


FIG. 5

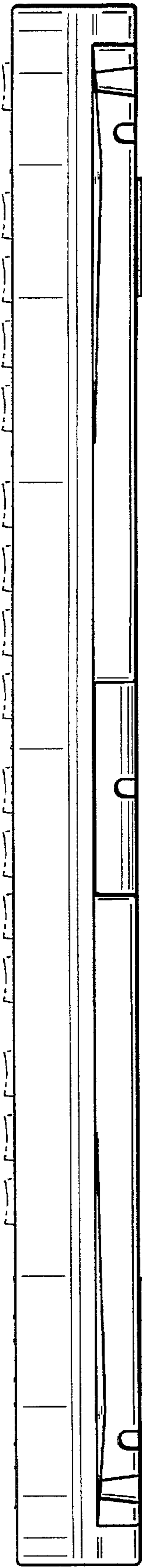


FIG. 4

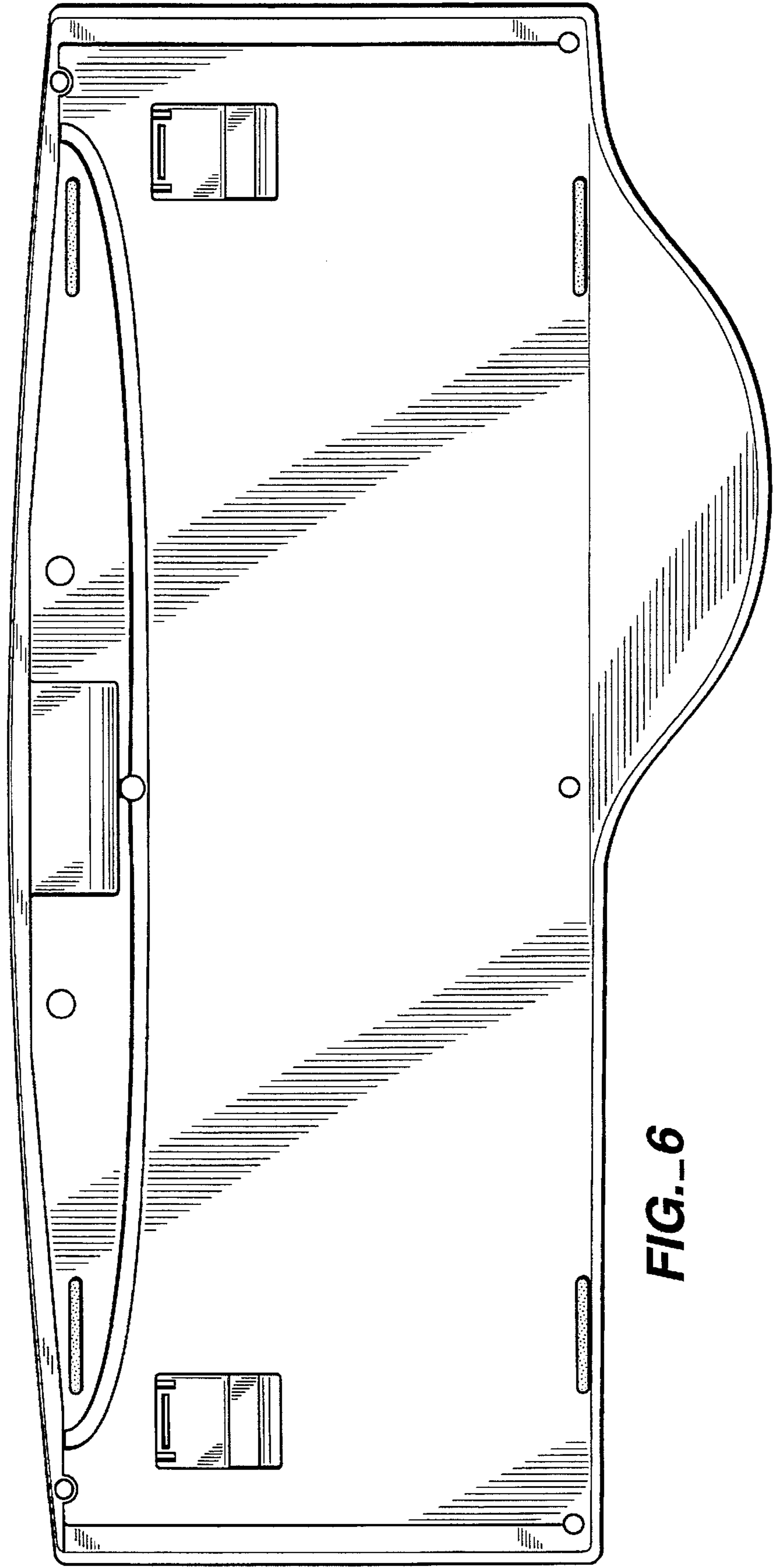


FIG. 6

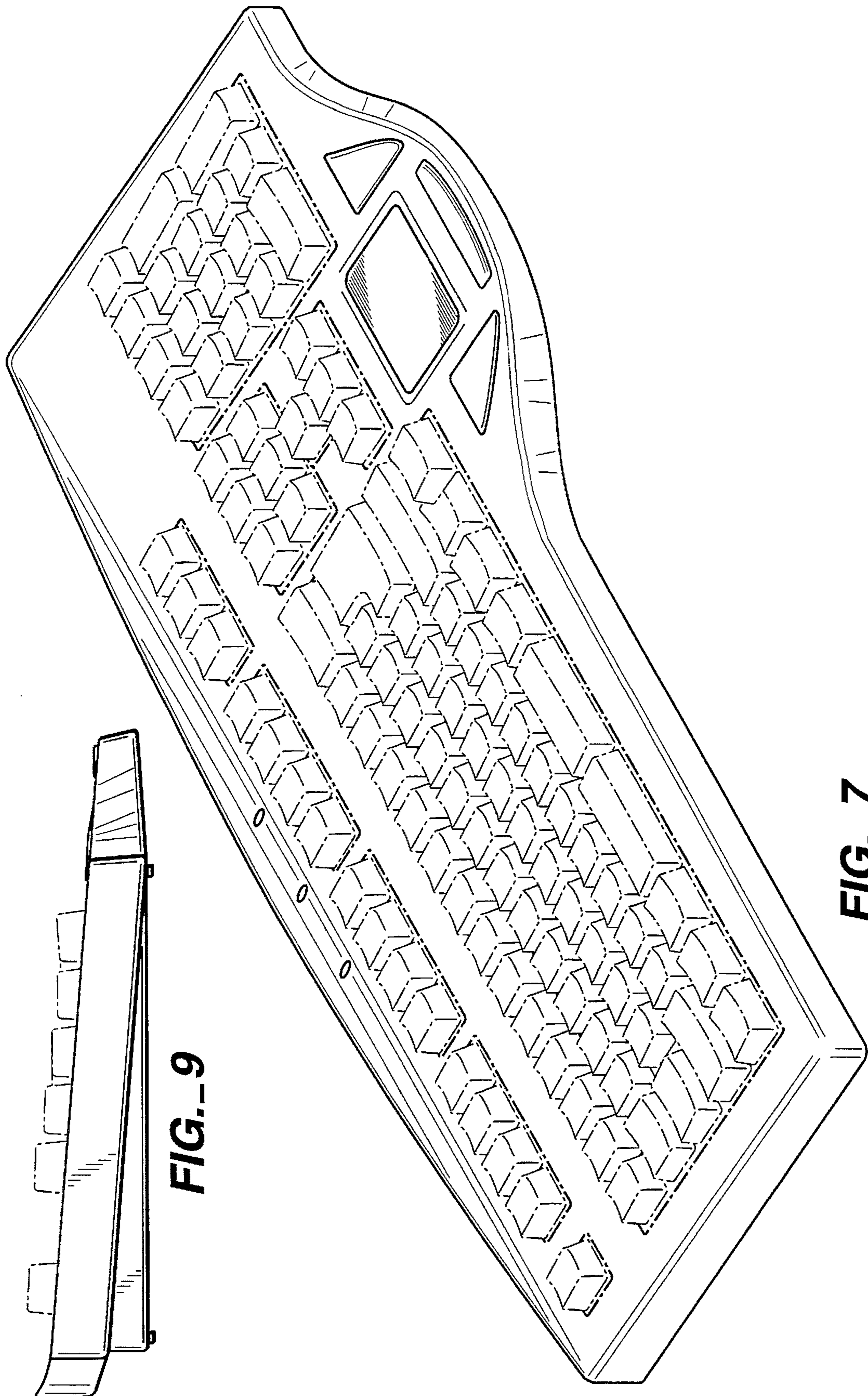


FIG.- 9

FIG.- 7

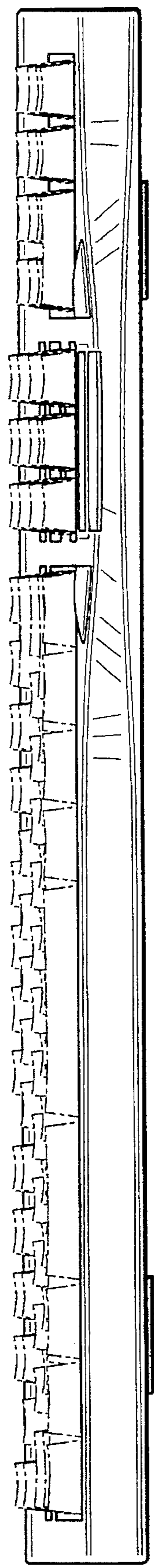


FIG. 8

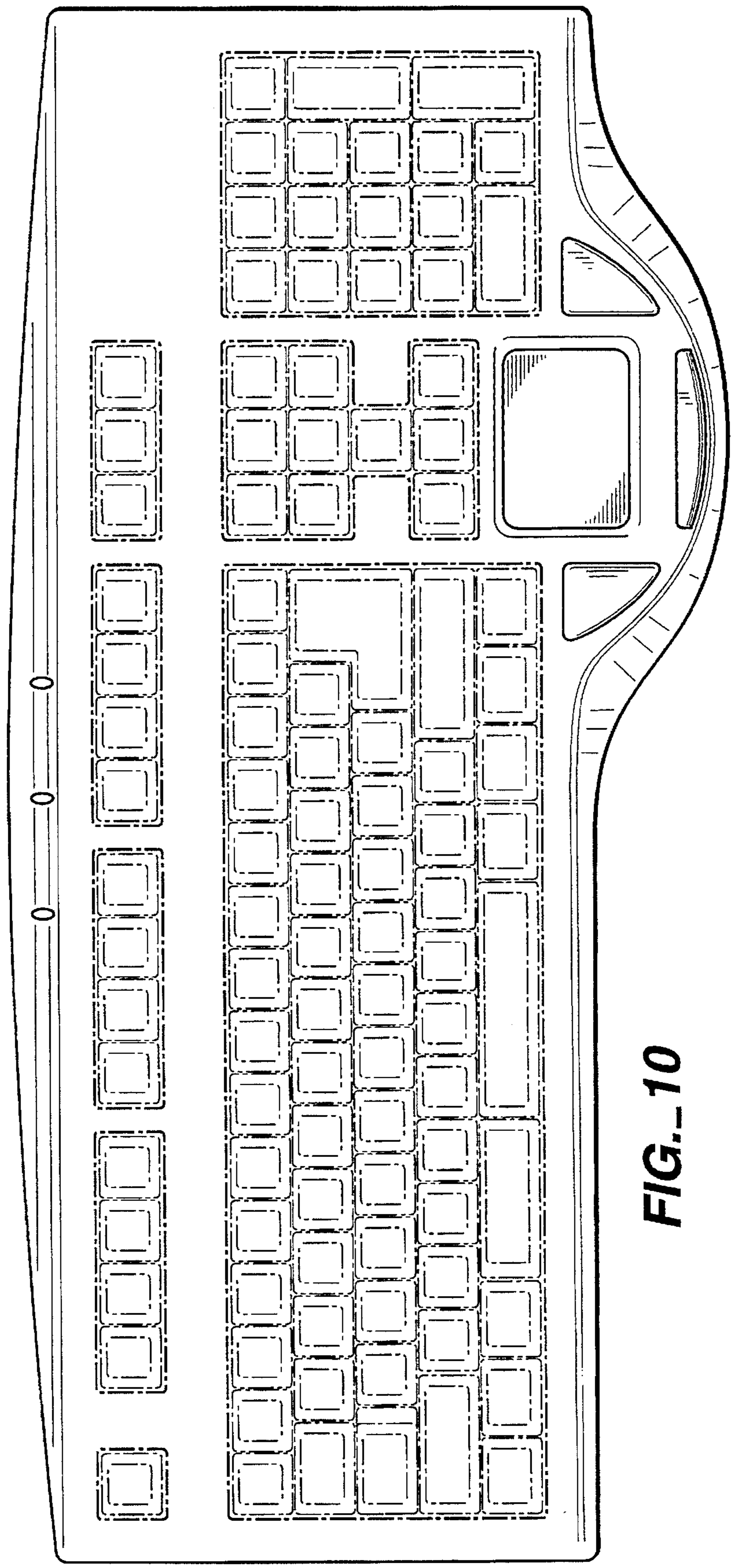


FIG. 10

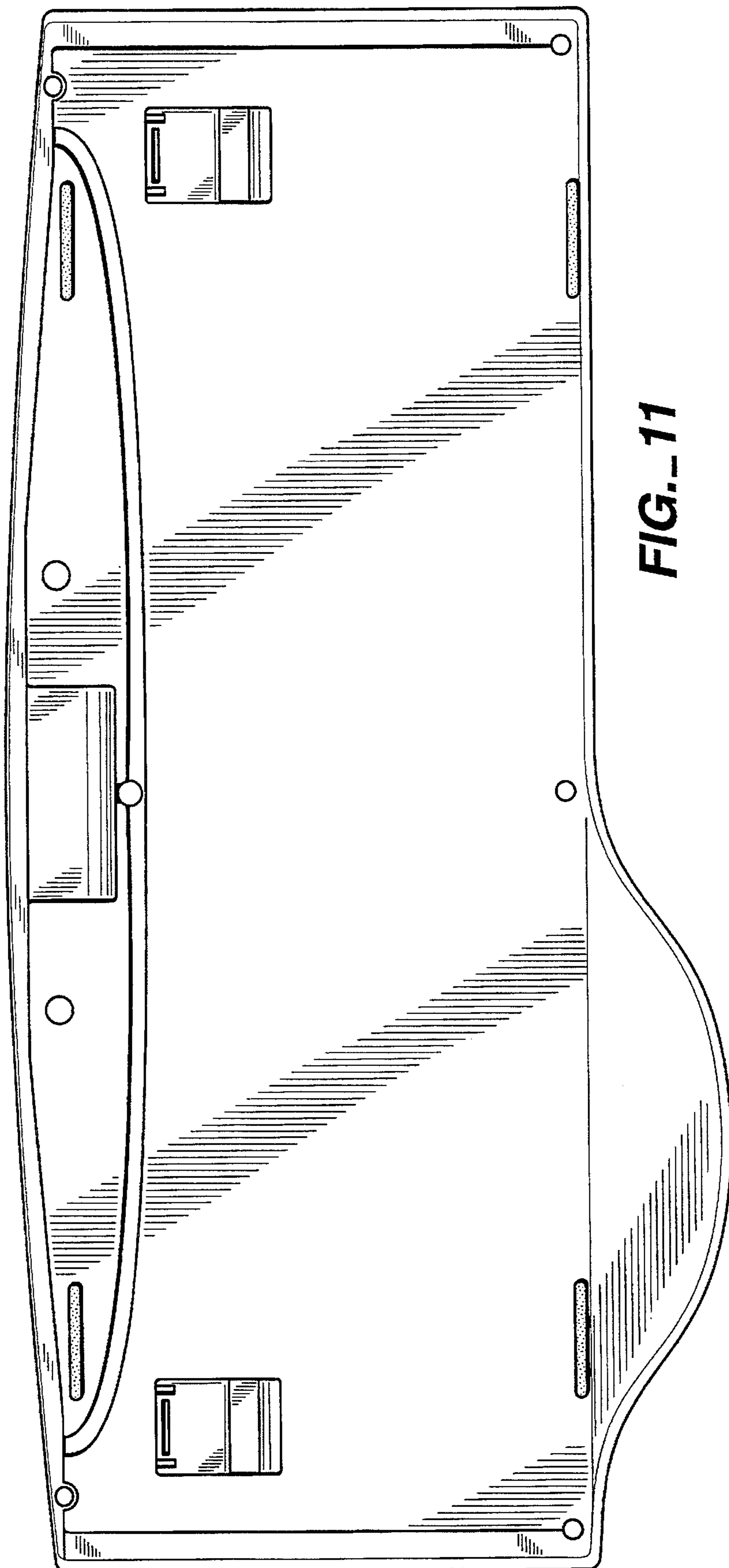


FIG. 11