



US00D379178S

United States Patent [19]
Kane

[11] **Patent Number: Des. 379,178**
[45] **Date of Patent: **May 13, 1997**

[54] **ANTI-GLARE SHADE**

[76] **Inventor: Paul Kane, 5744 E. Creekside Ave. -
Unit 33, Orange, Calif. 92669**

[**] **Term: 14 Years**

[21] **Appl. No.: 44,759**

[22] **Filed: Sep. 29, 1995**

[51] **LOC (6) Cl. 14-02**

[52] **U.S. Cl. D14/114**

[58] **Field of Search D14/100, 113,
D14/114, 239; 358/252, 250, 254, 255**

[56] **References Cited**

U.S. PATENT DOCUMENTS

D. 305,648	1/1990	Edington	D14/239 X
D. 337,591	7/1993	Buhyoff	D14/114 X
D. 342,483	12/1993	Bergeron et al.	D14/100
4,633,324	12/1986	Giulie	D14/239 X
5,325,970	7/1994	Dillon et al.	D14/106 X

Primary Examiner—Freda Nunn
Attorney, Agent, or Firm—Goldstein & Associates

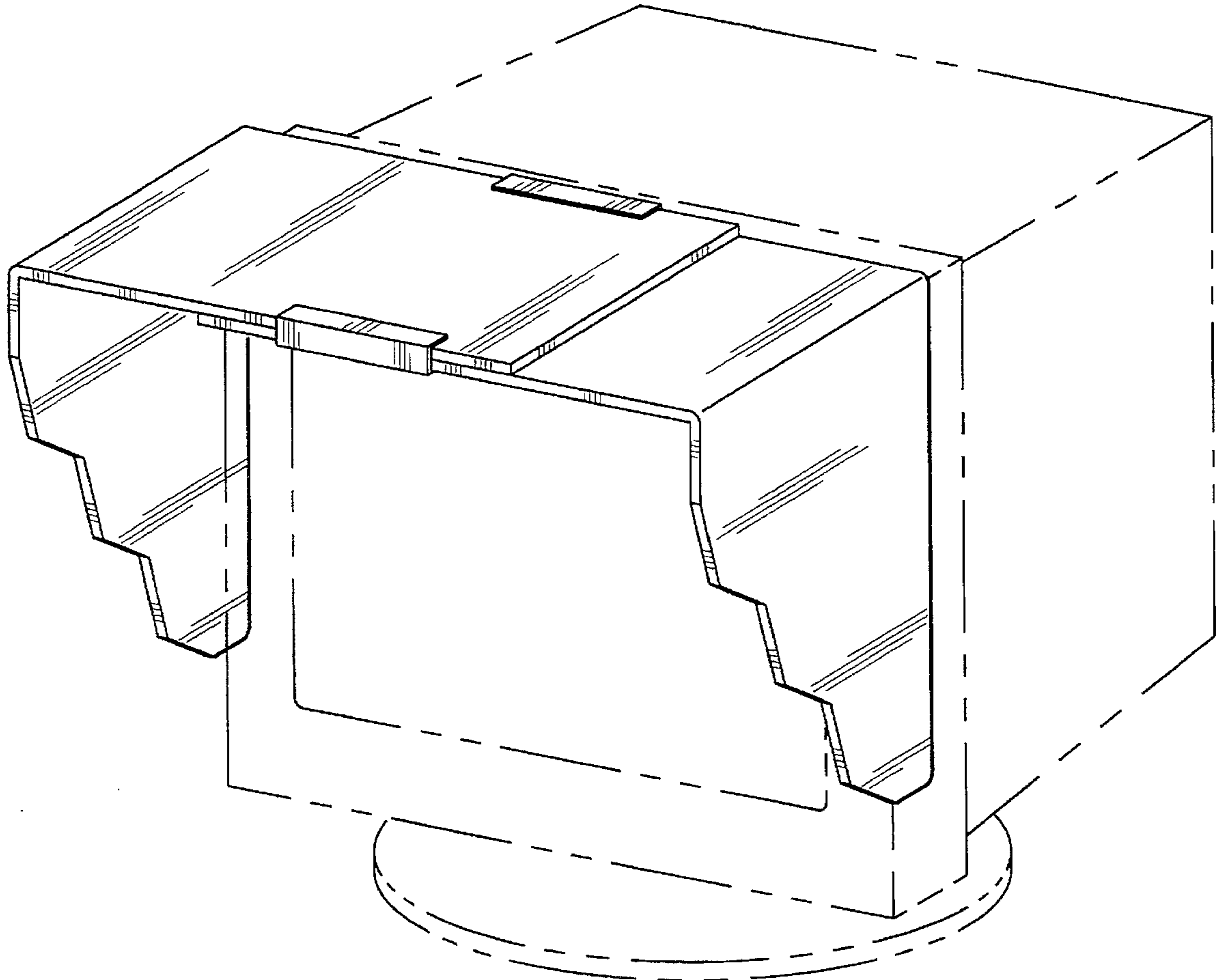
[57] **CLAIM**

The ornamental design for an anti-glare shade, as shown and described.

DESCRIPTION

FIG. 1 is a perspective view of an anti-glare shade showing my new design;
FIG. 2 is a front elevational view thereof;
FIG. 3 is a rear elevational view thereof;
FIG. 4 is a right side view thereof;
FIG. 5 is a left side view thereof;
FIG. 6 is a bottom plan view thereof;
FIG. 7 is a top plan view thereof;
FIG. 8 is a perspective view of a second embodiment thereof;
FIG. 9 is a rear elevational view thereof;
FIG. 10 is a front elevational view thereof;
FIG. 11 is a right side view, the left side being a mirror image thereof;
FIG. 12 is a top plan view thereof; and,
FIG. 13 is a bottom plan view thereof.
The broken lines are shown in the views for illustrative purposes only and form no part of the claimed design.

1 Claim, 6 Drawing Sheets



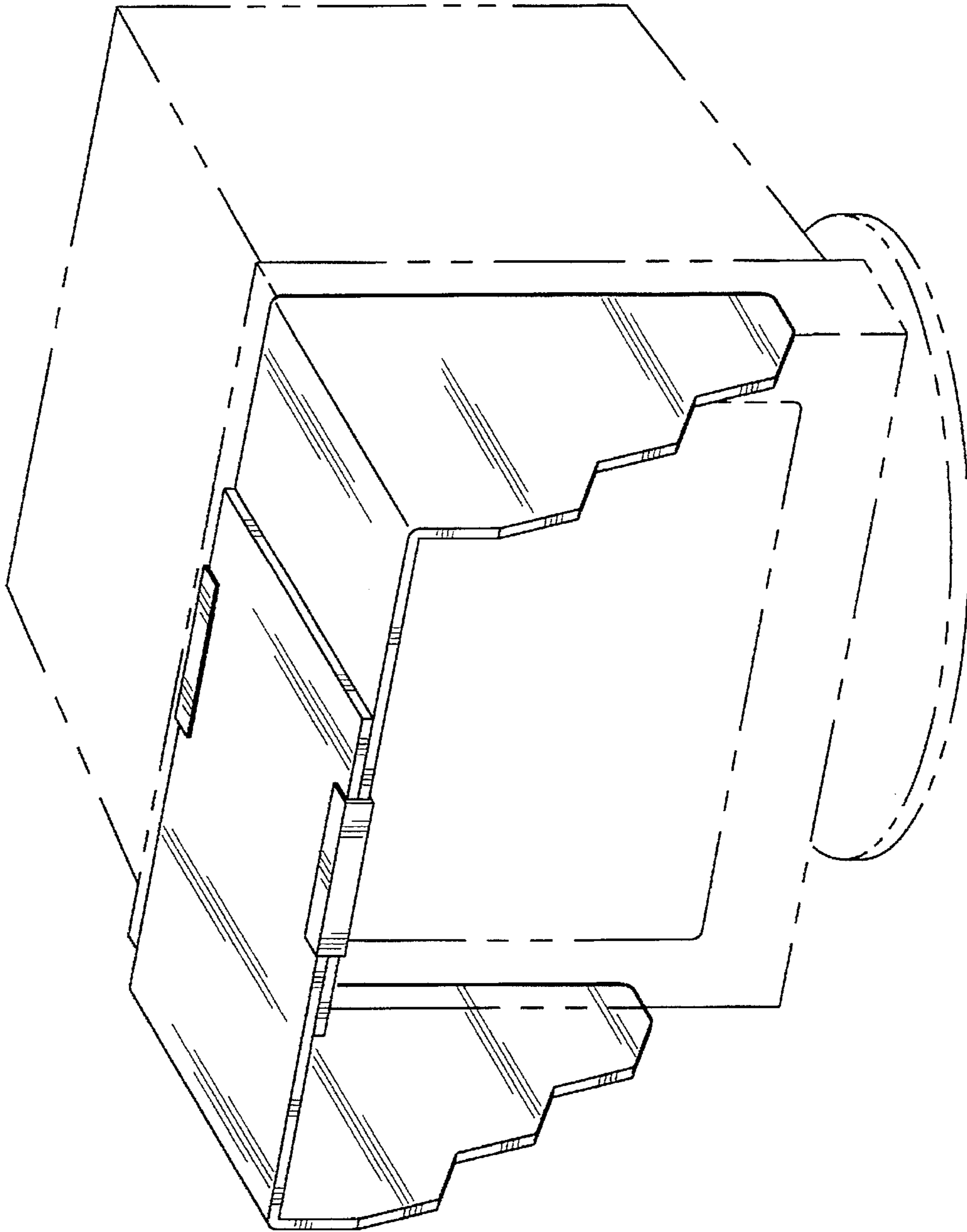
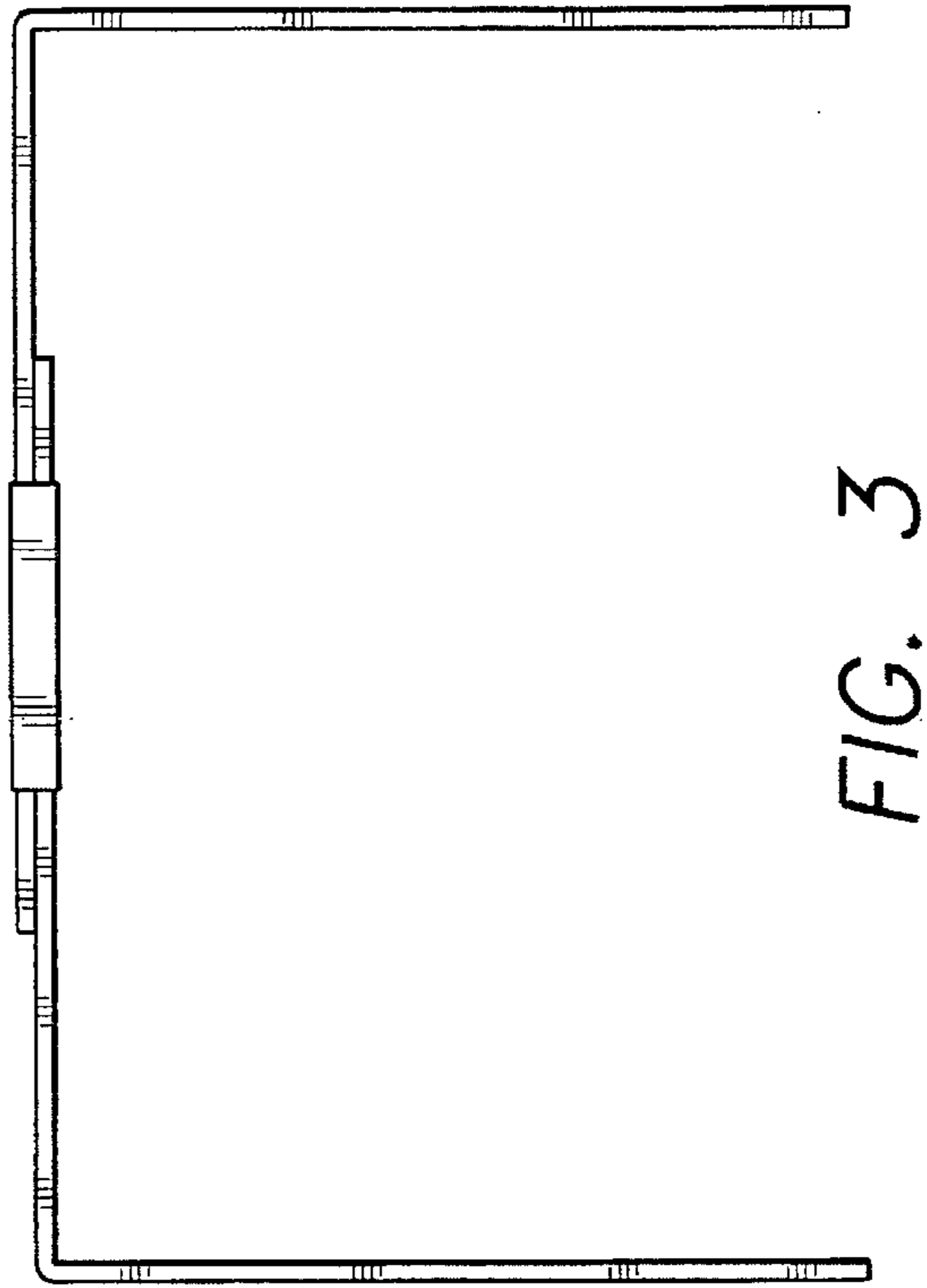
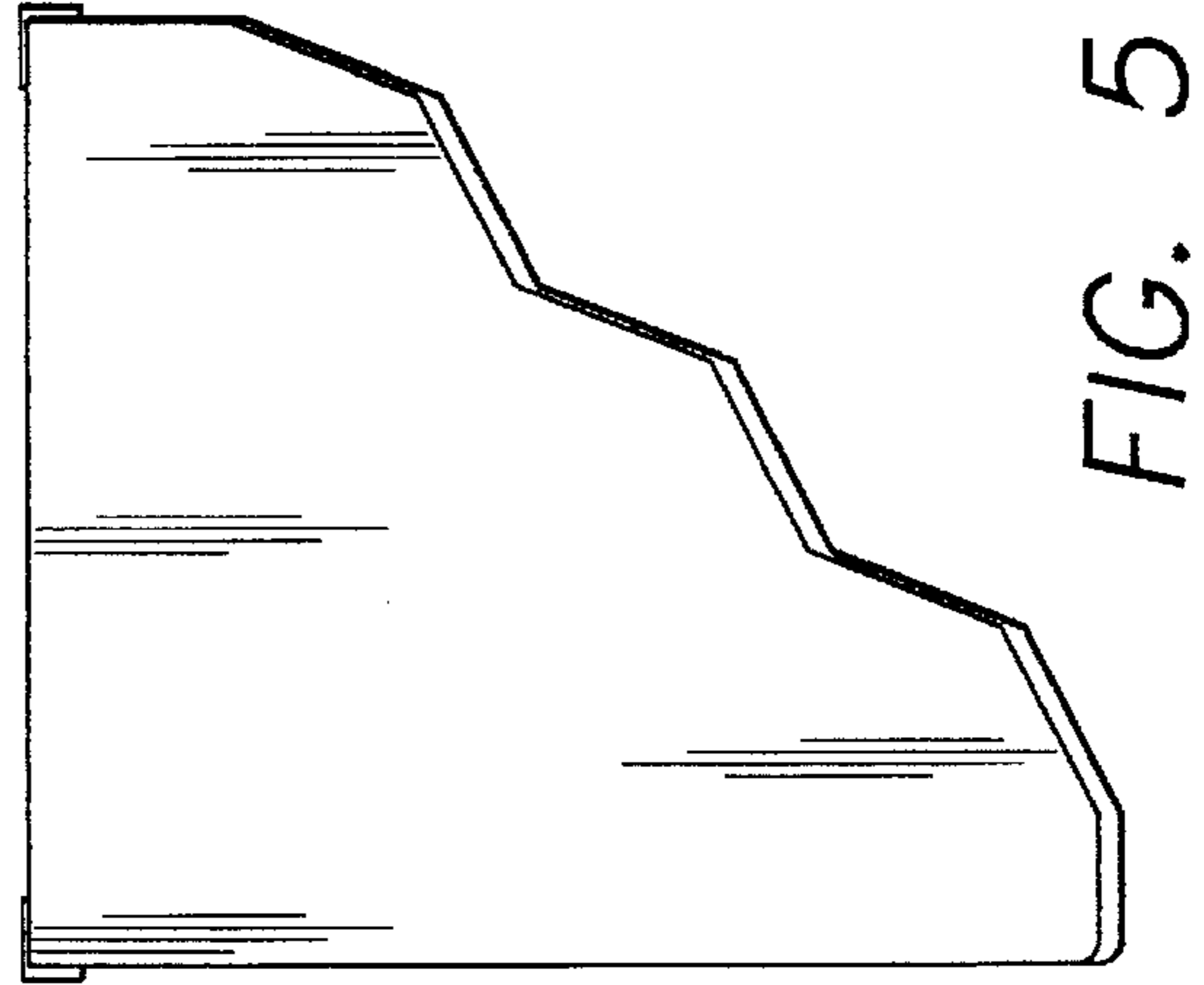
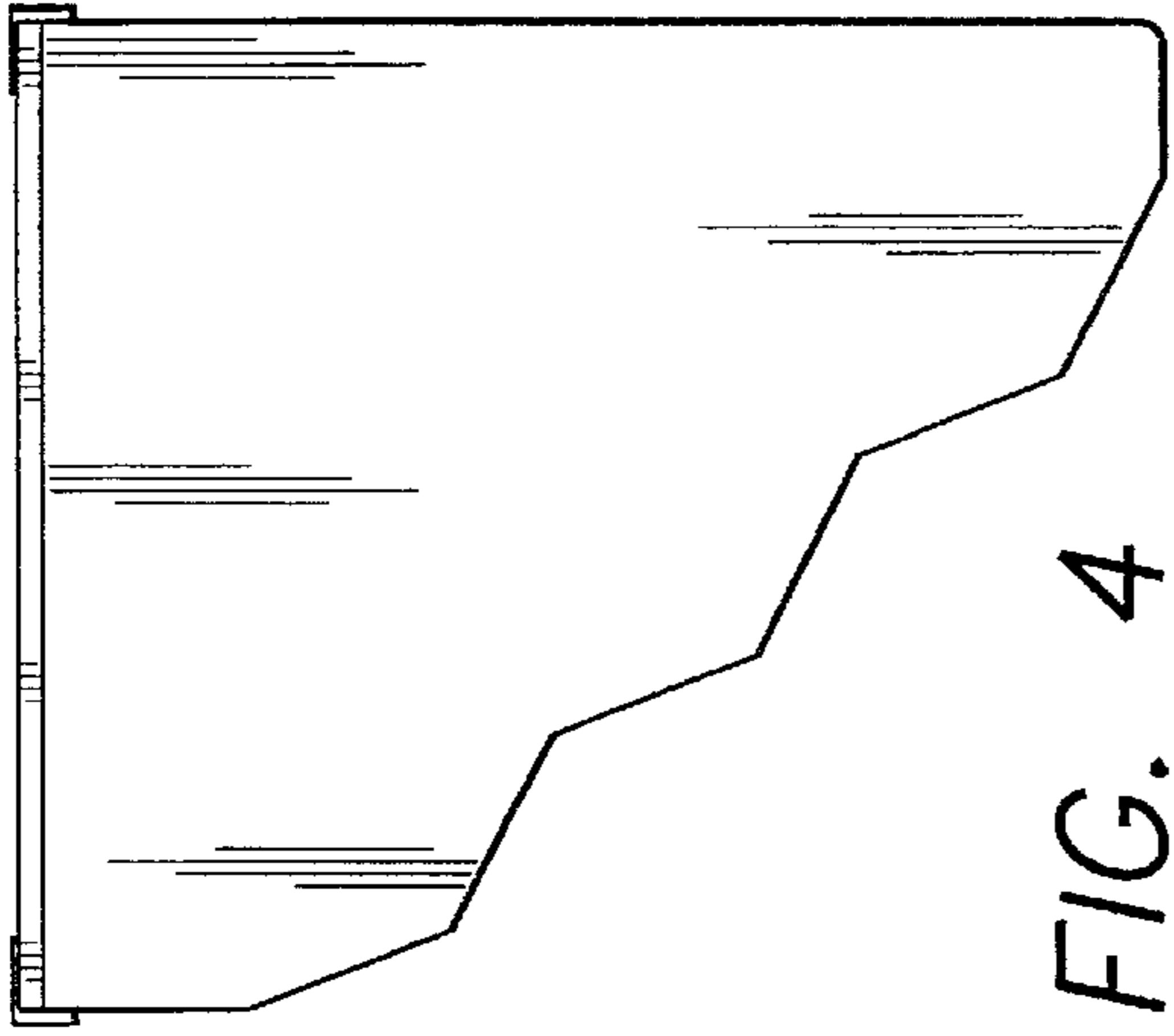


FIG. 1



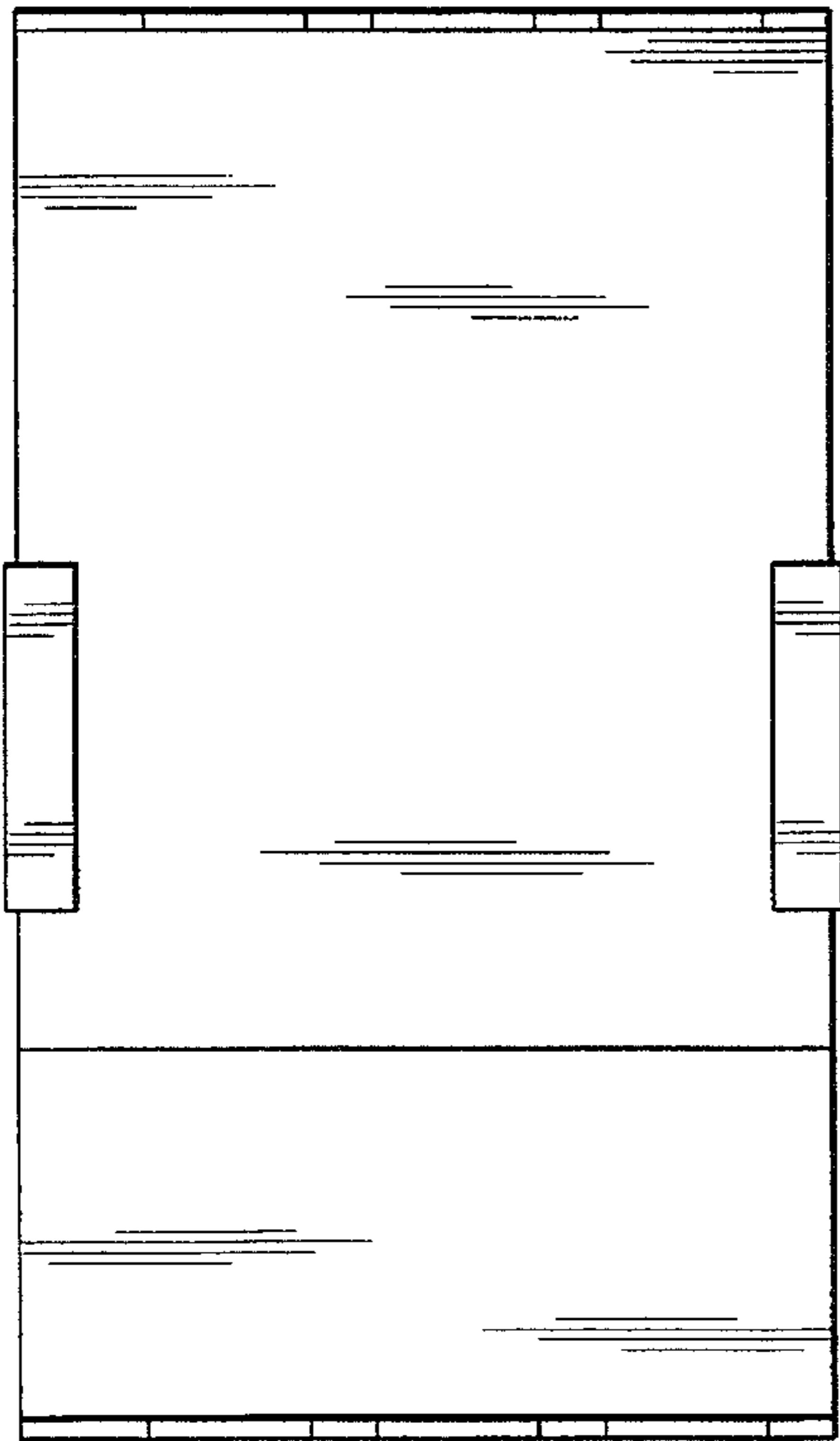


FIG. 6

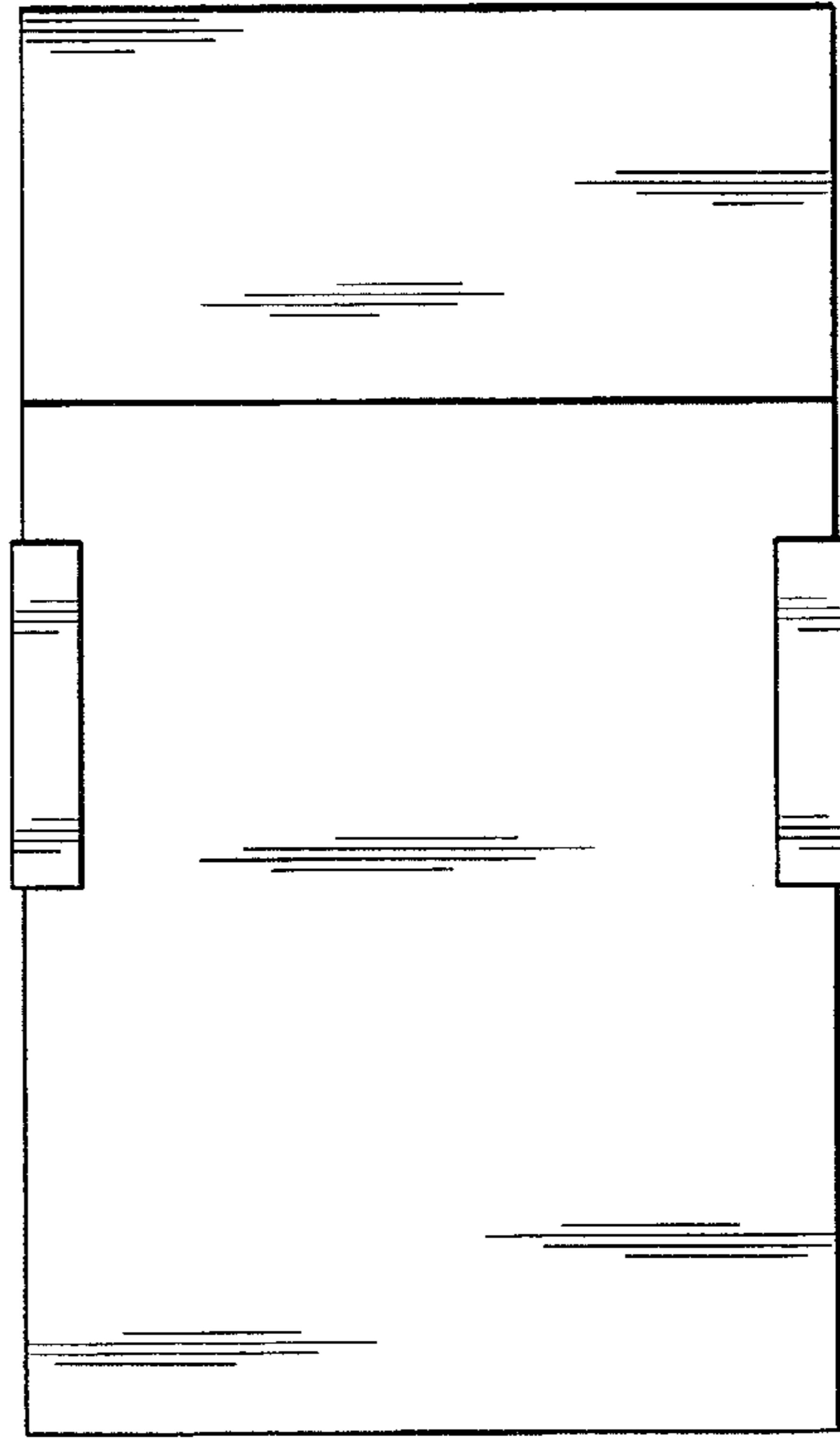


FIG. 7

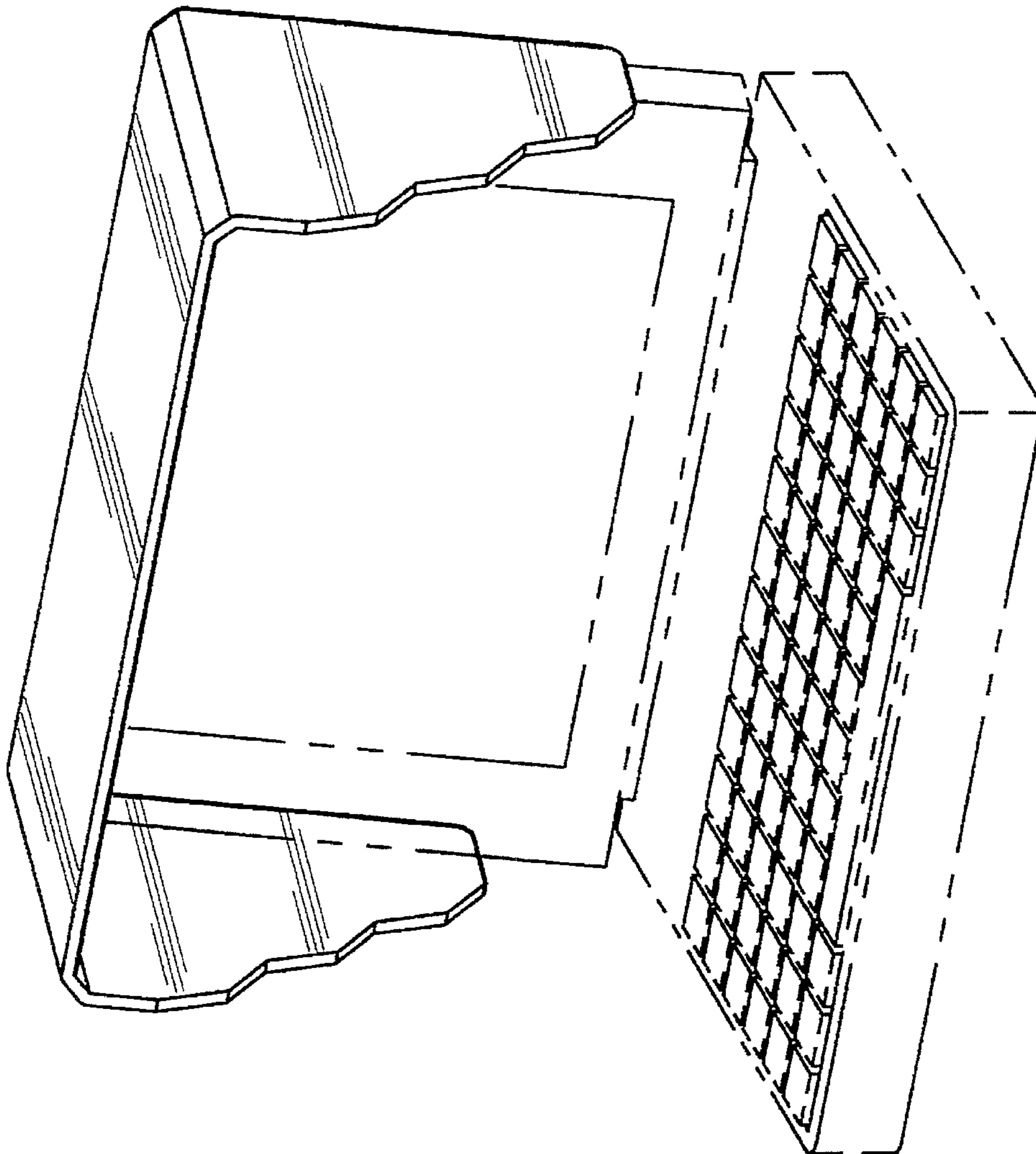


FIG. 8

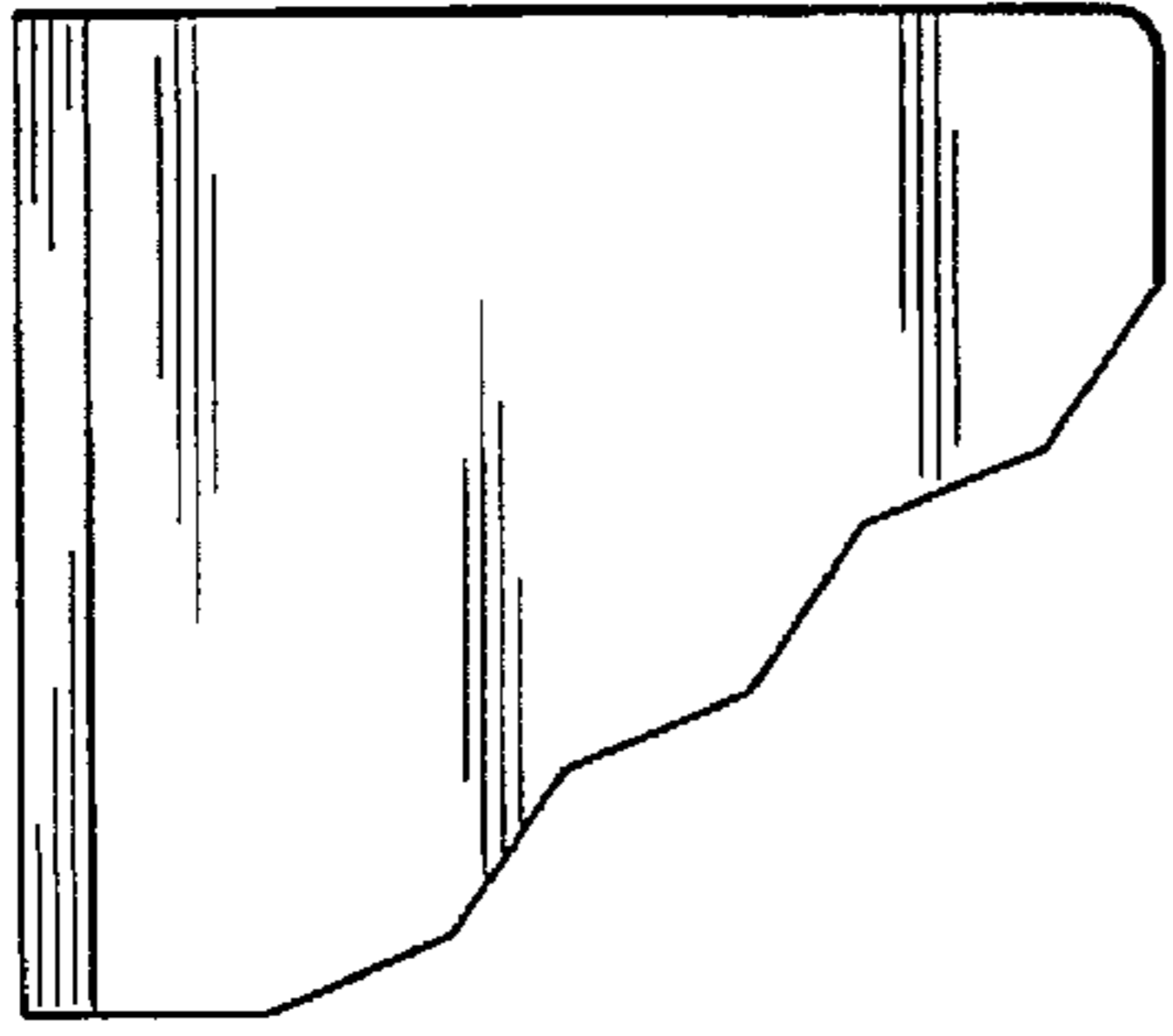


FIG. 11

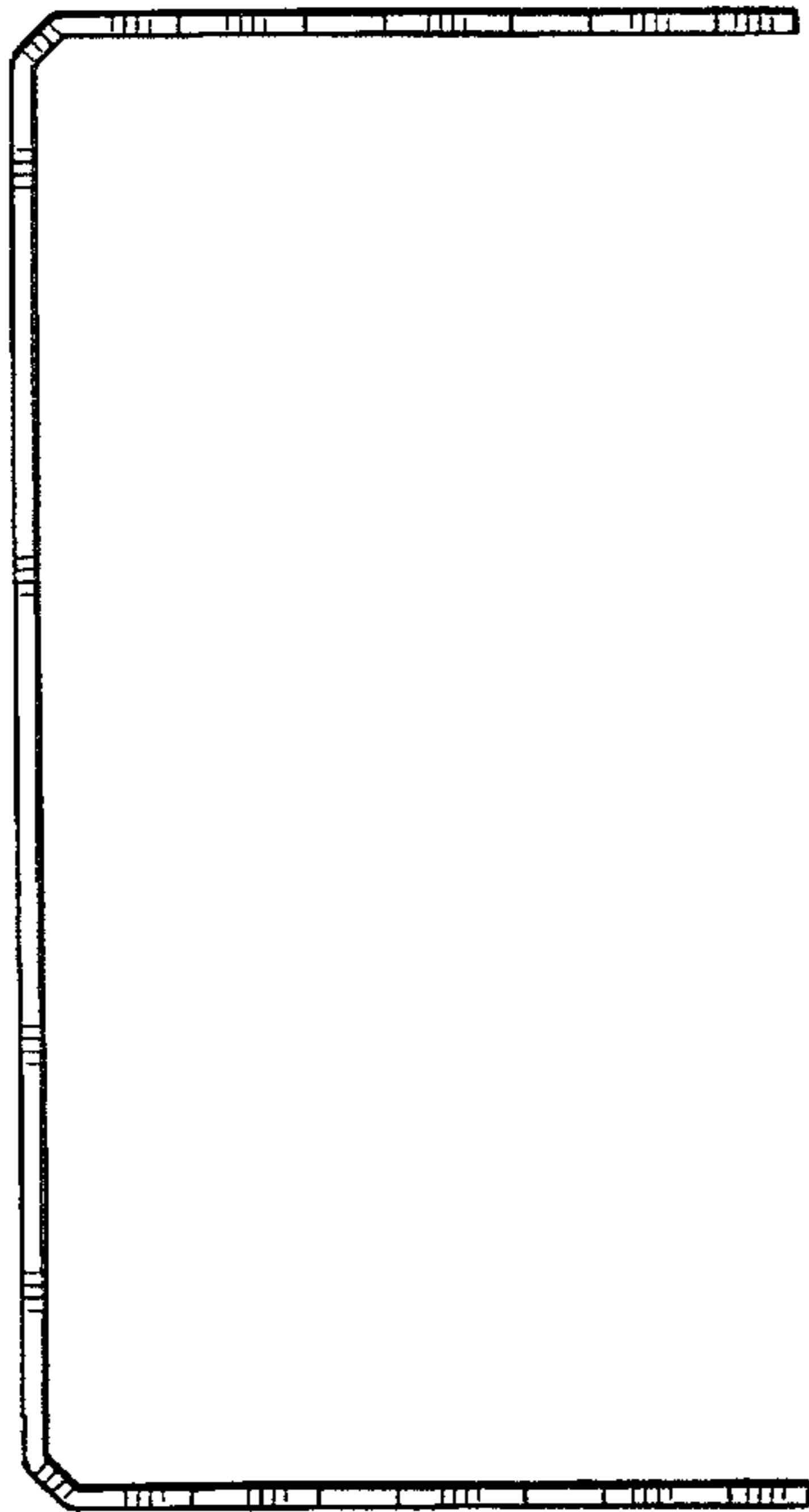


FIG. 10

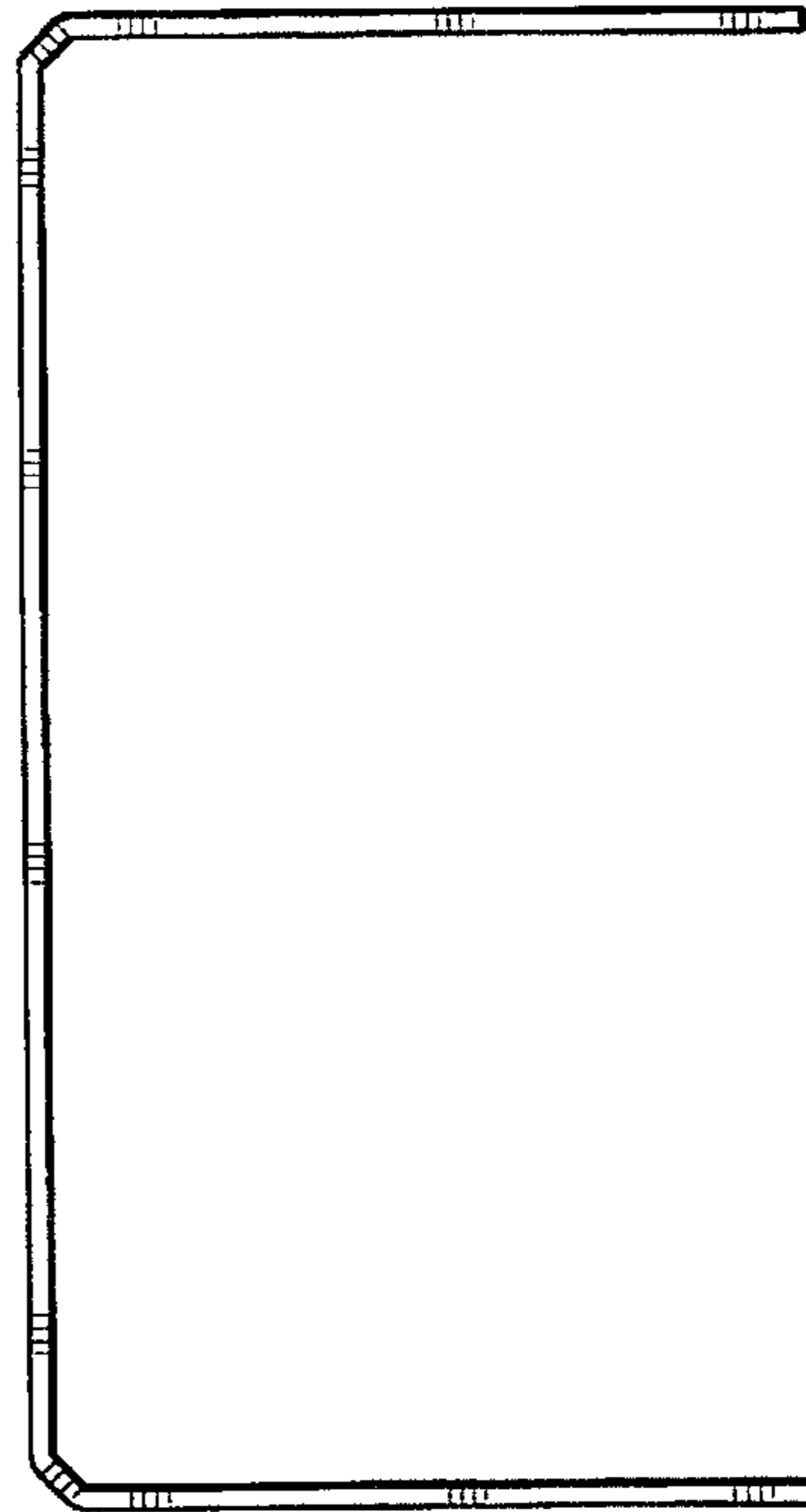


FIG. 9

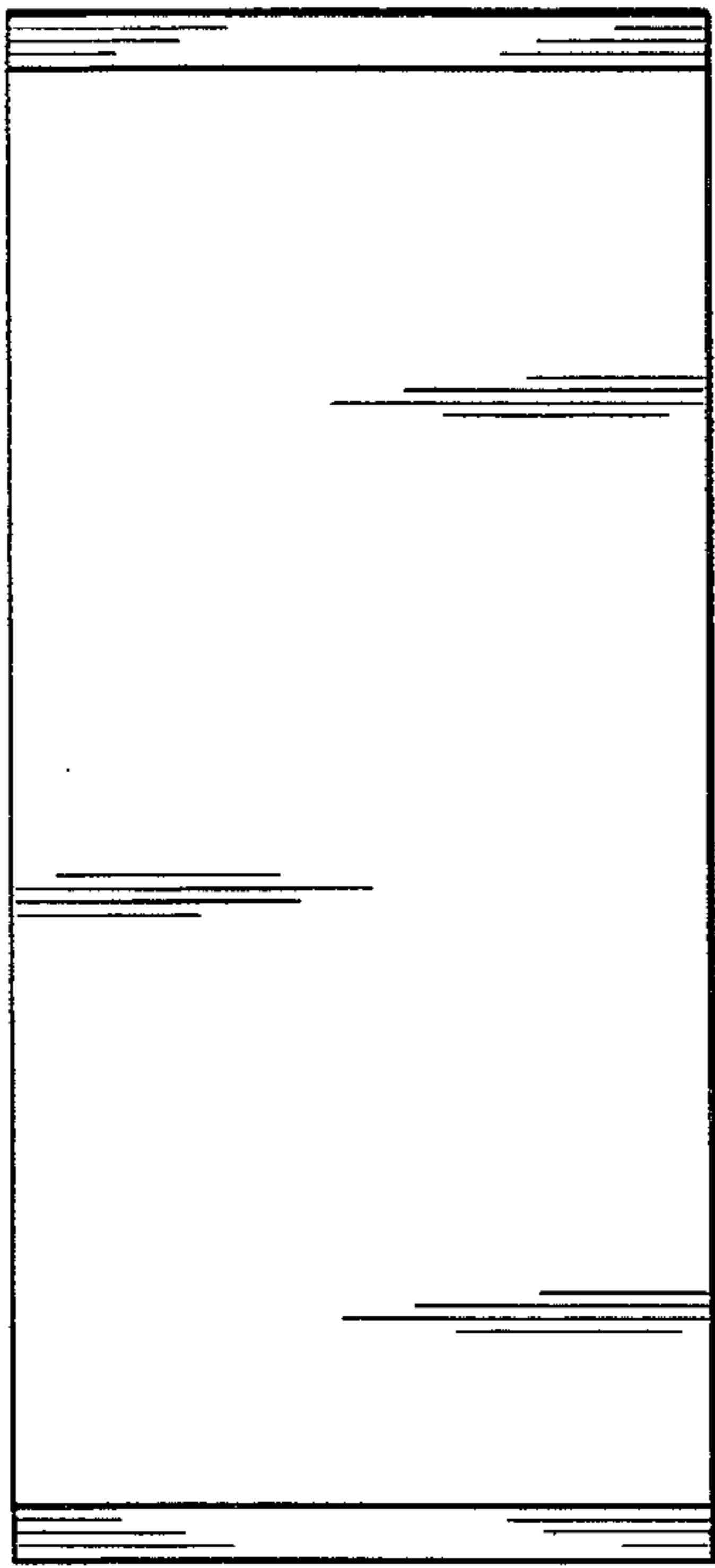


FIG. 12

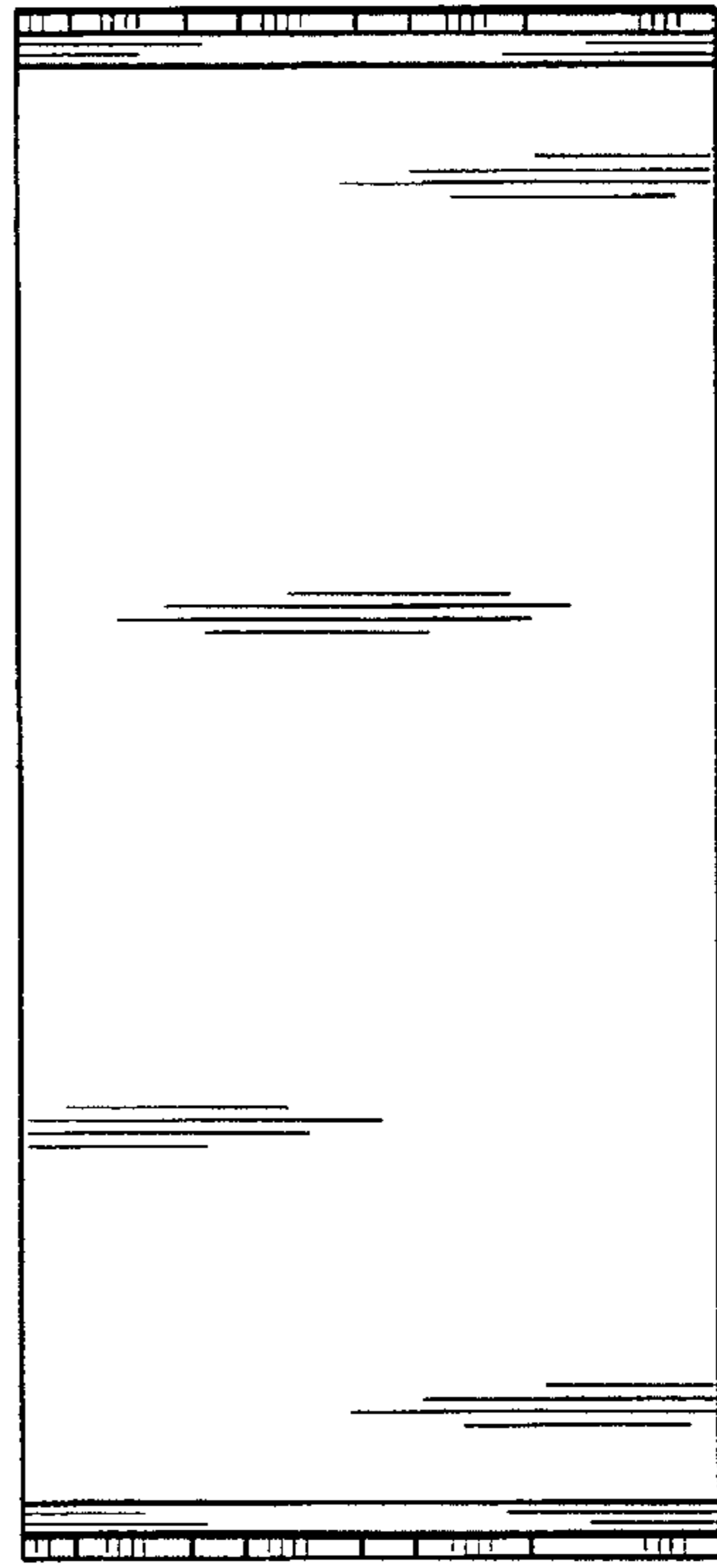


FIG. 13