



US00D379176S

United States Patent [19]

Chambers et al.

[11] Patent Number: Des. 379,176

[45] Date of Patent: **May 13, 1997

[54] COVER FOR ELECTRICAL BOXES

[75] Inventors: William M. Chambers, Valley City;
David P. Marshall, Chagrin Falls, both
of Ohio

[73] Assignee: The Lamson & Sessions Co.,
Cleveland, Ohio

[*] Notice: The portion of the term of this patent
subsequent to Apr. 22, 2011, has been
disclaimed.

[**] Term: 14 Years

[21] Appl. No.: 31,108

[22] Filed: Nov. 17, 1994

[51] LOC (6) Cl. 13-03

[52] U.S. Cl. D13/156

[58] Field of Search D13/152, 156,
D13/184; D14/240; 174/66, 67; 220/3.2,
3.8, 3.9, 241, 242; 439/147

[56] References Cited

U.S. PATENT DOCUMENTS

D. 313,395	1/1991	Orchard et al.	D13/152
D. 342,233	12/1993	Berlin et al.	D13/156
D. 346,386	4/1994	Brownlie et al.	D13/152 X
4,424,407	1/1984	Barbic	174/67
4,803,307	2/1989	Shotey	174/67
4,851,612	7/1989	Peckham	174/67

4,874,906	10/1989	Shotey	174/67
4,951,182	8/1990	Simonson et al.	D13/133 X
4,988,832	1/1991	Shotey	174/67
5,010,211	4/1991	Bartee	174/48
5,228,584	7/1993	Williams, Jr.	220/242 X
5,280,135	1/1994	Berlin et al.	174/67

OTHER PUBLICATIONS

Guardian series outlet cover on p. 27 of *New Equipment Digest* Apr. 1993.

Primary Examiner—Joel Sincavage
Attorney, Agent, or Firm—Fay, Sharpe, Beall, Fagan, Min-
nich & McKee

[57] CLAIM

The ornamental design for a cover for electrical boxes, as
shown.

DESCRIPTION

FIG. 1 is a front elevational view of a cover for electrical
boxes embodying our design;
FIG. 2 is a right side elevation of the cover of FIG. 1;
FIG. 3 is a top view thereof;
FIG. 4 is a bottom view thereof;
FIG. 5 is a left side elevation thereof; and,
FIG. 6 is a back view thereof.

The broken line showing throughout the drawing figures is
included for the purpose of illustrating environmental struc-
ture only and forms no part of the claimed design.

1 Claim, 2 Drawing Sheets

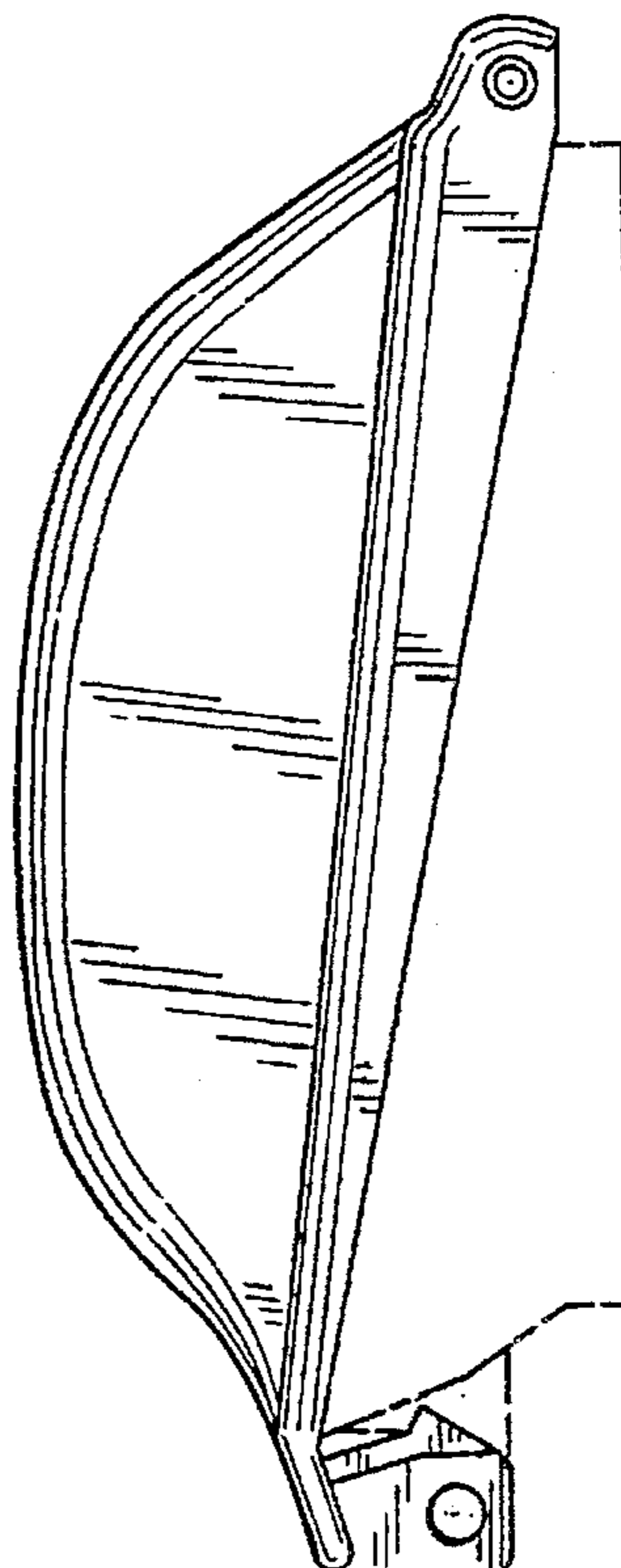
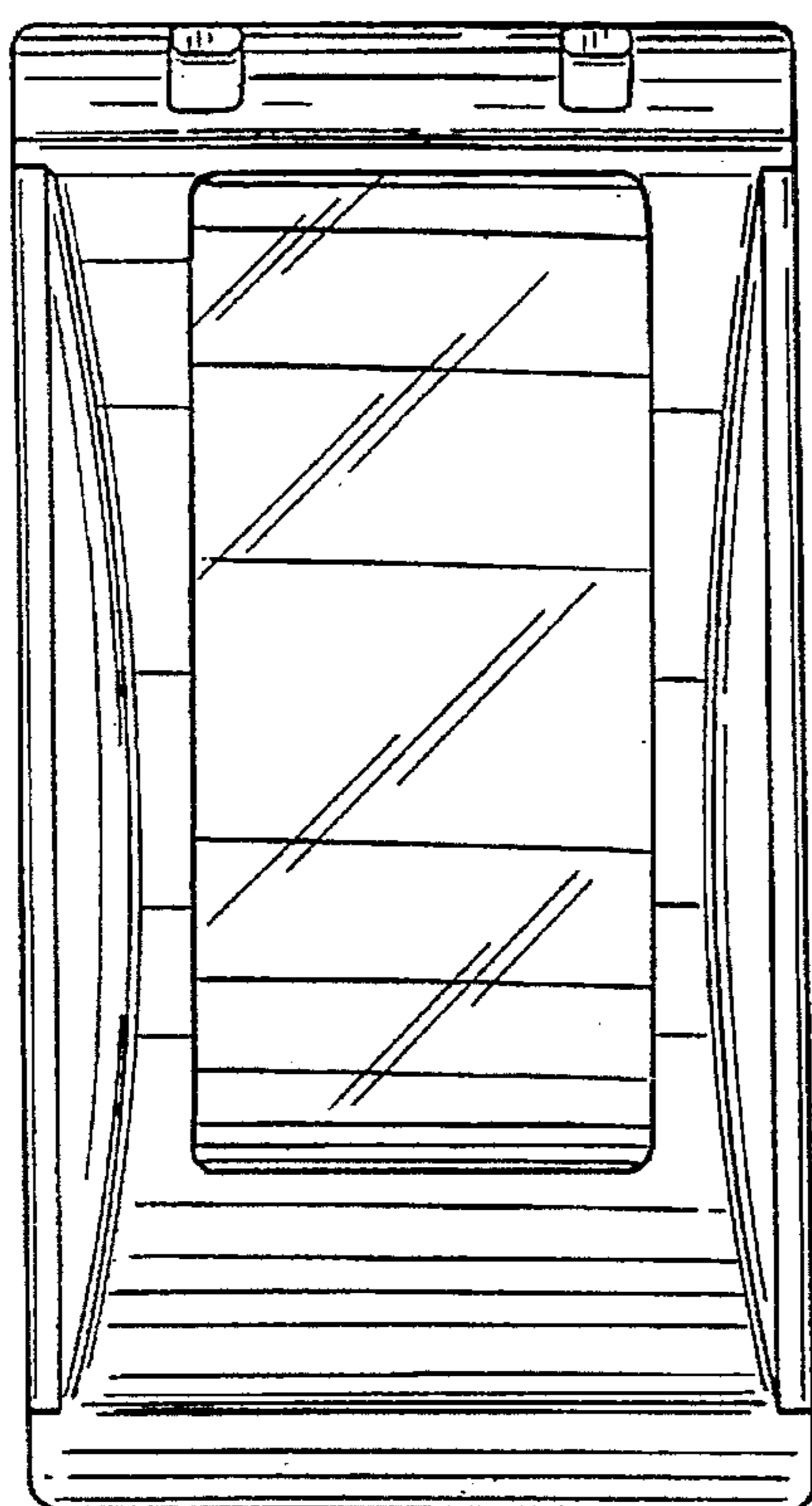


FIG. 3

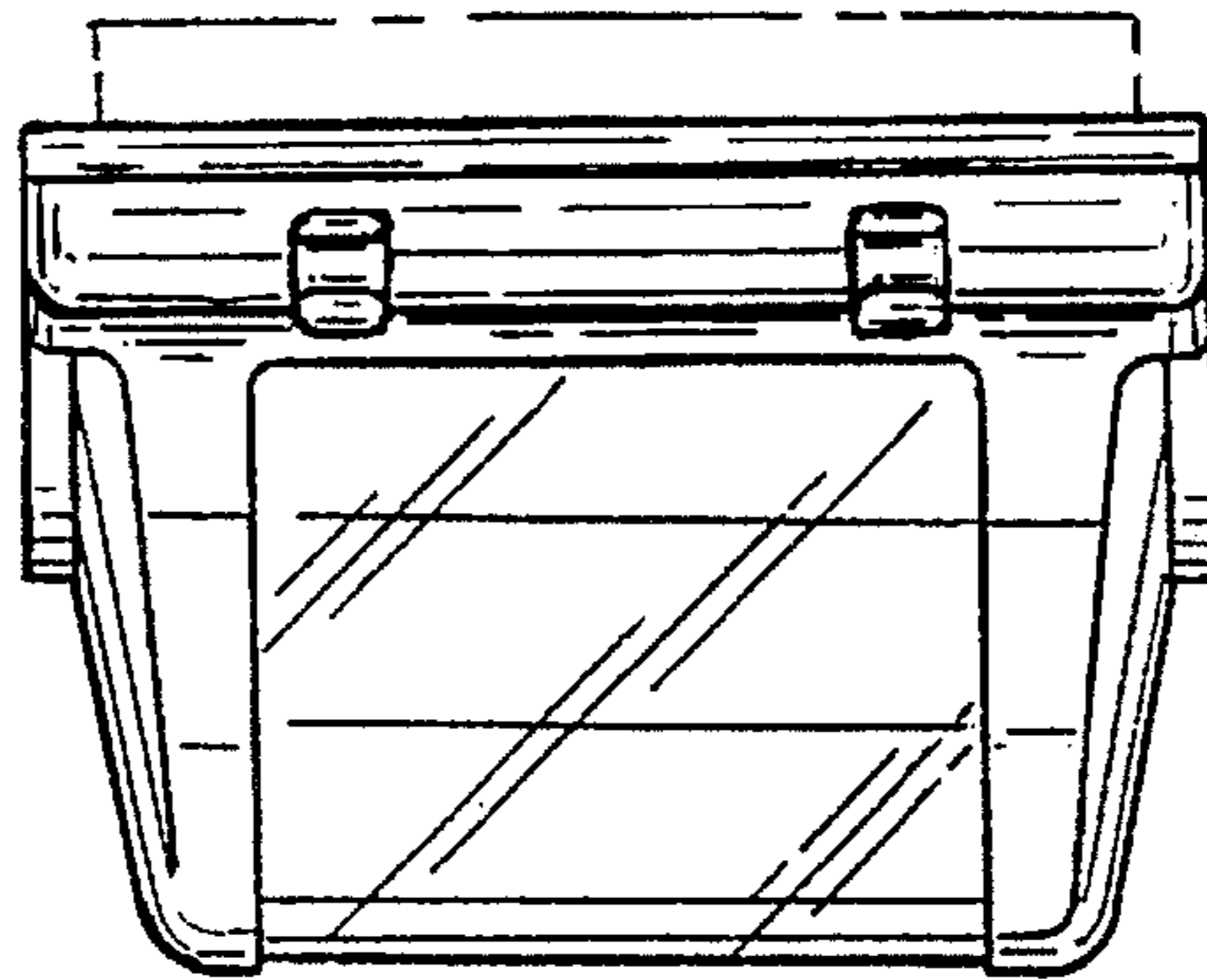


FIG. 1

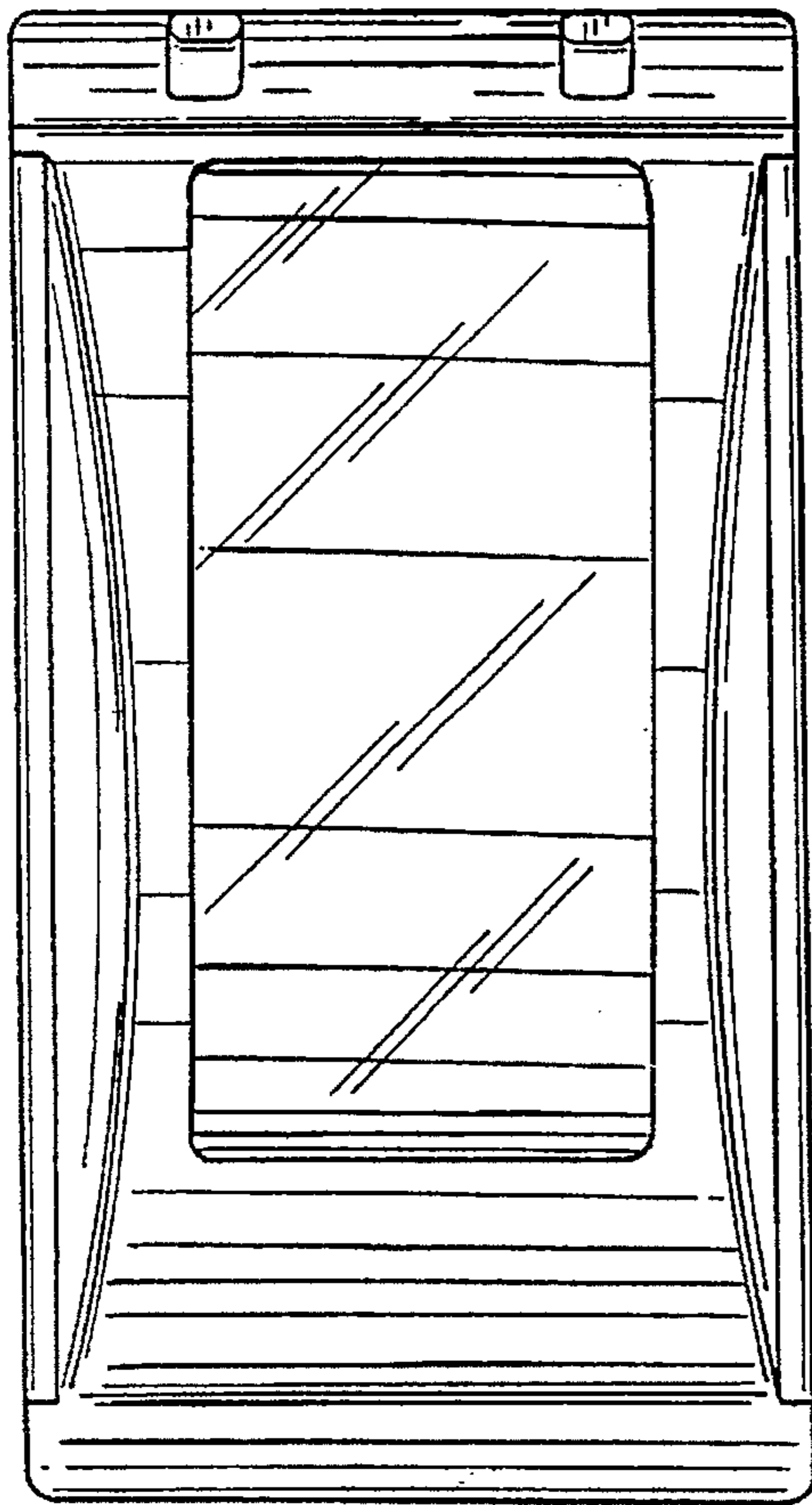


FIG. 2

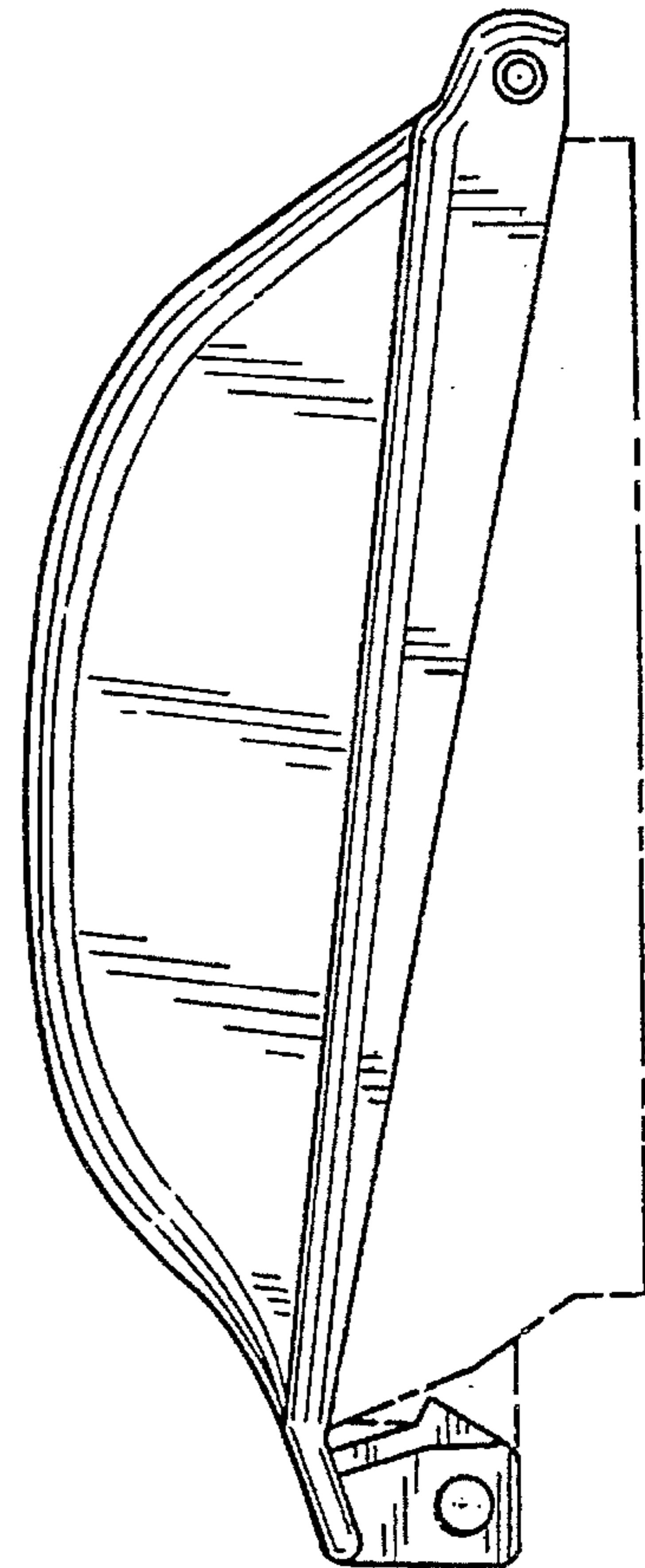
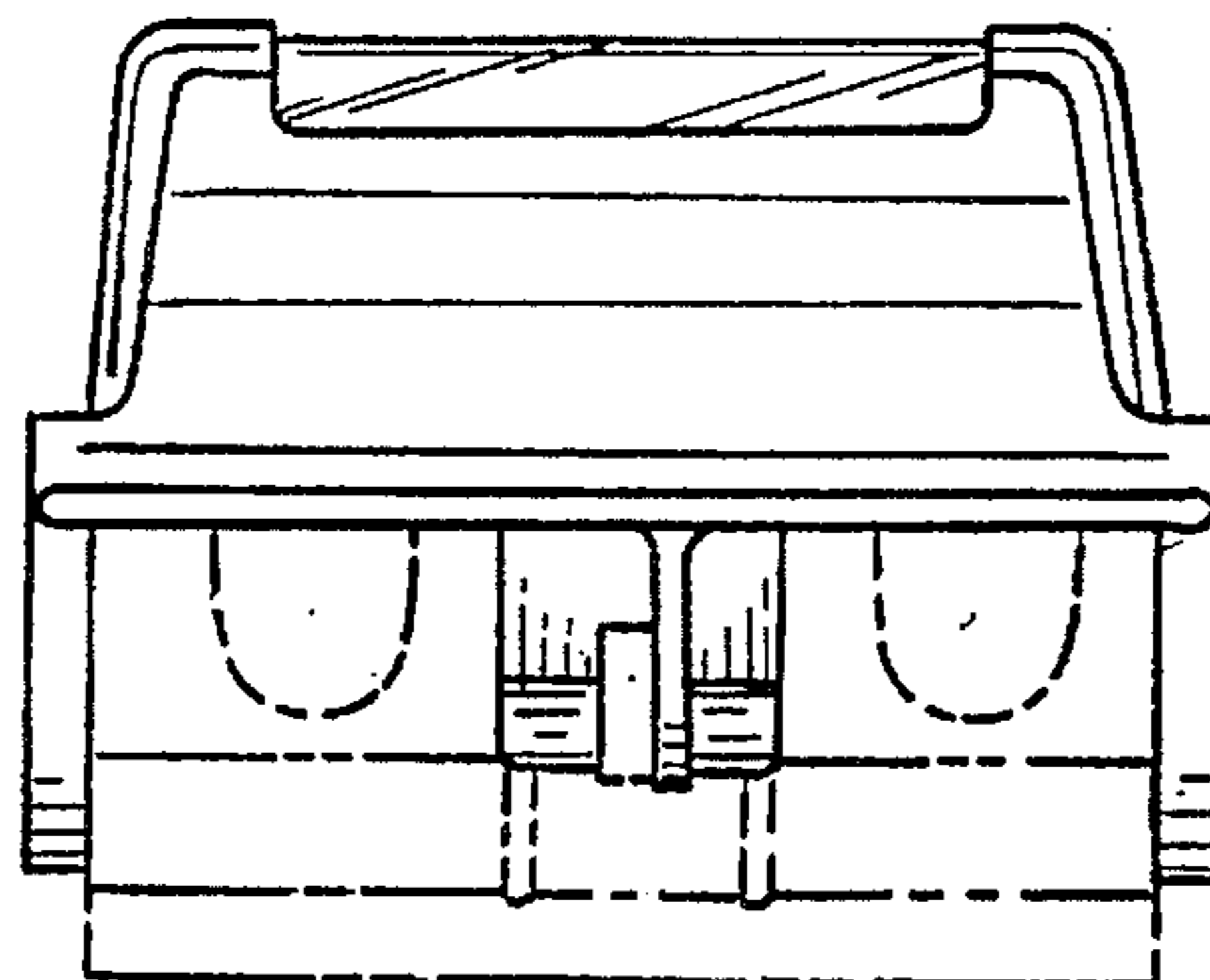


FIG. 4



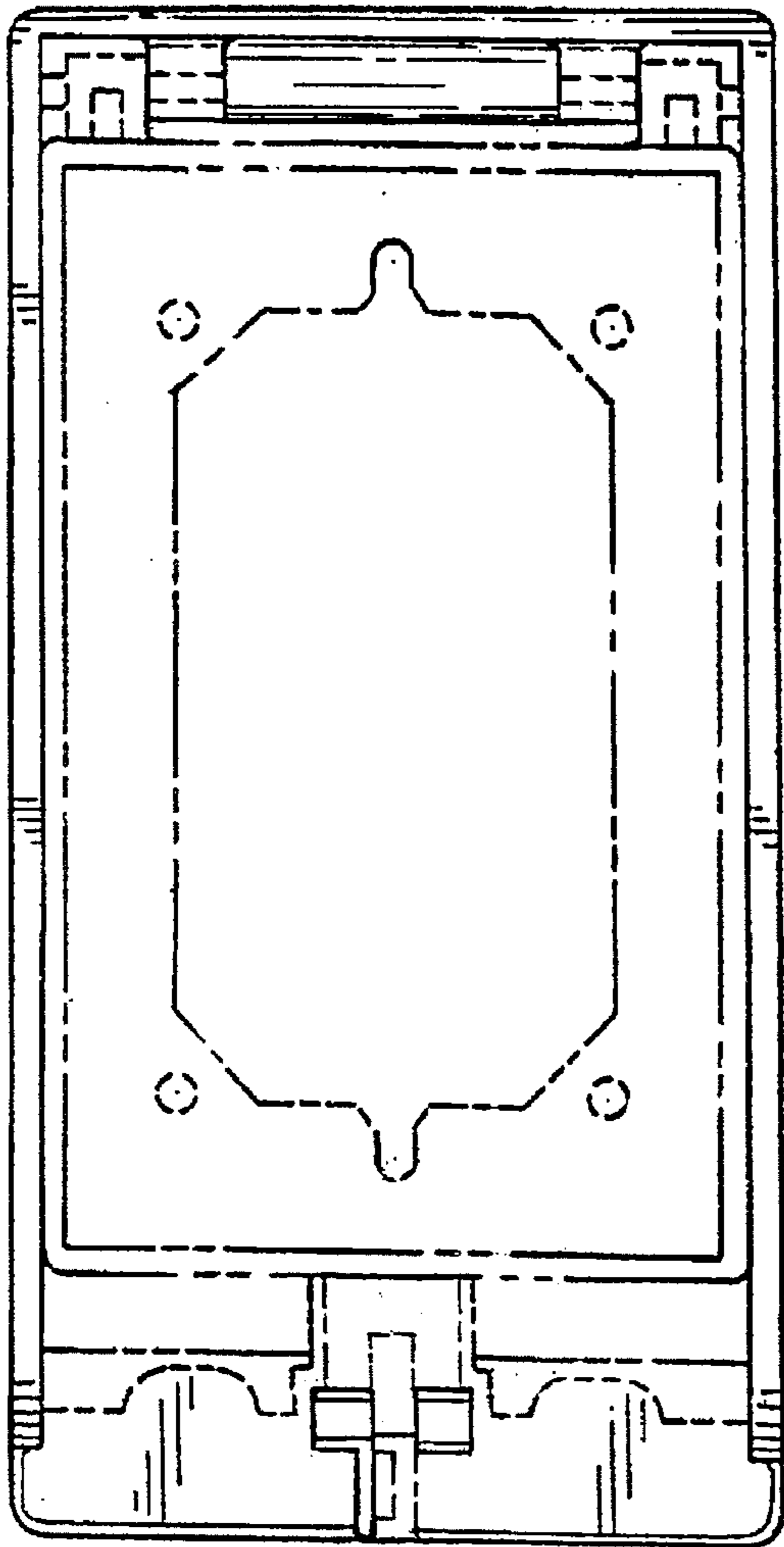


FIG. 6

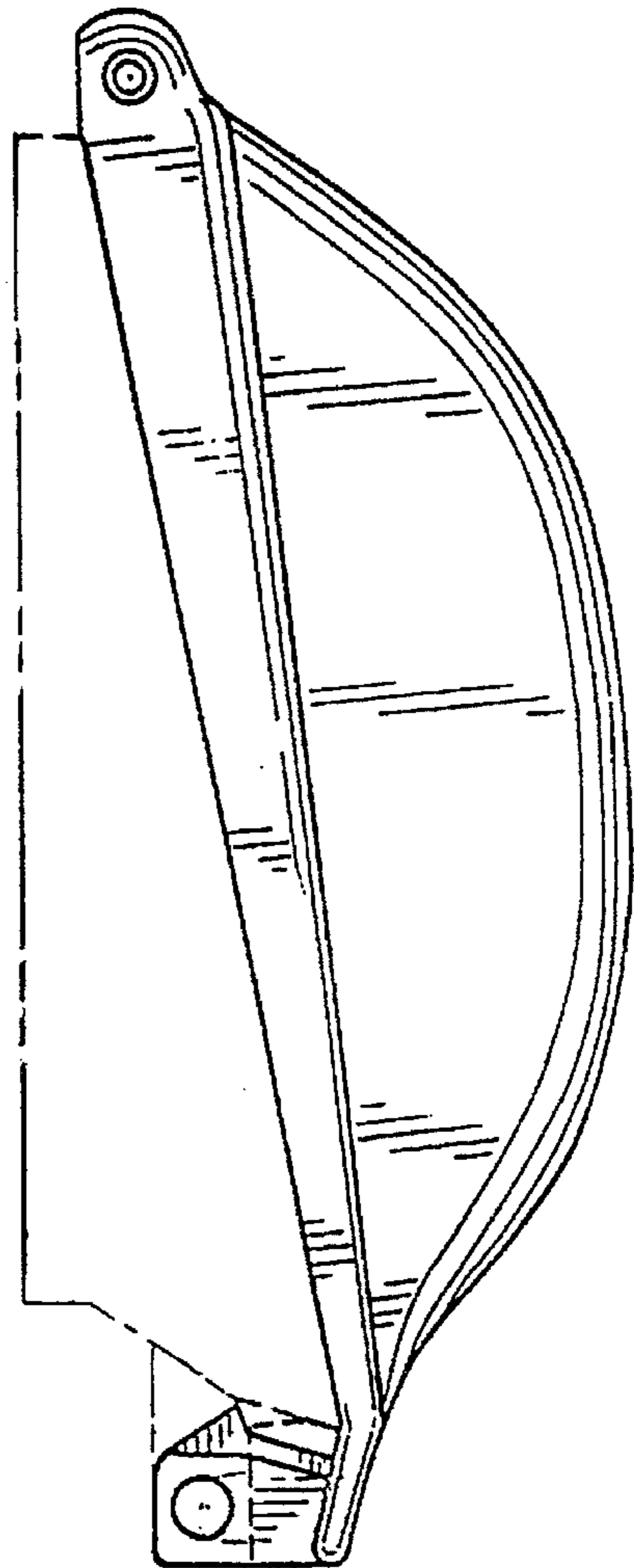


FIG. 5