



US00D379175S

**United States Patent** [19]  
**Robinson**

[11] **Patent Number: Des. 379,175**  
[45] **Date of Patent: \*\*May 13, 1997**

[54] **OUTLET BOX**

[75] Inventor: **Scott T. Robinson**, Redmond, Wash.

[73] Assignee: **Leviton Manufacturing Co., Inc.**,  
Littleneck, N.Y.

[\*\*] Term: **14 Years**

[21] Appl. No.: **50,690**

[22] Filed: **Feb. 23, 1996**

[51] **LOC (6) Cl. .... 13-03**

[52] **U.S. Cl. .... D13/152**

[58] **Field of Search .... D13/152, 179,**  
**D13/184; 439/367; 220/3.8, 3.2, 3.3**

[56] **References Cited**

**U.S. PATENT DOCUMENTS**

D. 286,768	11/1986	Borsh et al. ....	D13/152
4,770,311	9/1988	Wang .....	220/3.2
5,007,549	4/1991	Suk .....	220/3.8

**OTHER PUBLICATIONS**

*The Siemon Company Catalog*, rev.ed., p. 22, 1995.  
"AMP® Surface Mount Outlet," *IS 3281*, pp. 1 and 4, 1992.  
"UTS-SSO (Siecor Silhouette Outlet) Installation," *Siecor® Recommended Procedure SRP-003-296*, Issue 1, pp. 1-2, 1992.

*Primary Examiner*—Doris Clark

*Attorney, Agent, or Firm*—Seed and Berry LLP

[57] **CLAIM**

The ornamental design for an outlet box, as shown and described.

**DESCRIPTION**

FIG. 1 is a front perspective view of an outlet box showing my new design;

FIG. 2 is a front elevational view thereof;

FIG. 3 is a rear elevational view thereof;

FIG. 4 is a top plan view thereof;

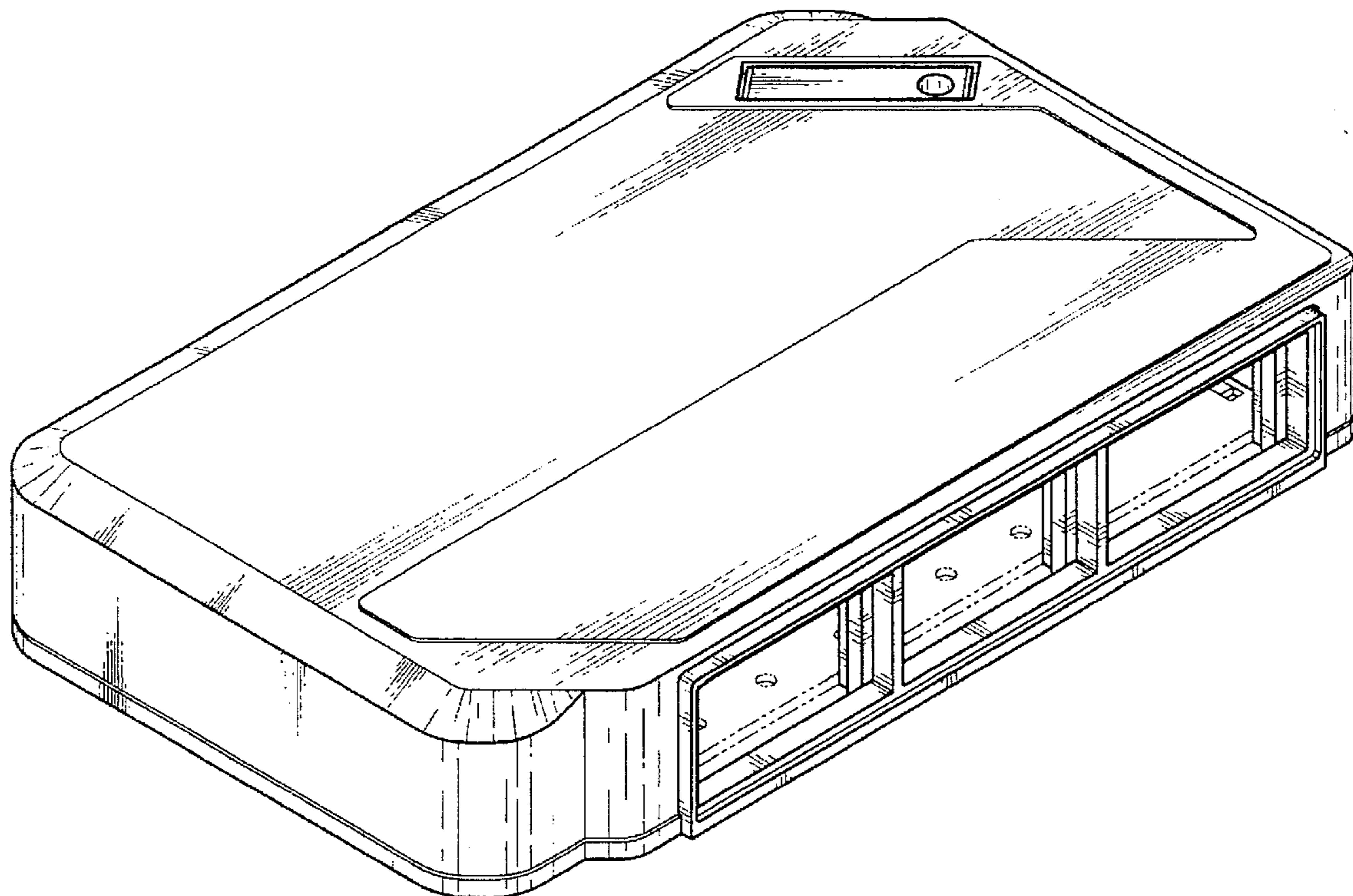
FIG. 5 is a bottom plan view thereof;

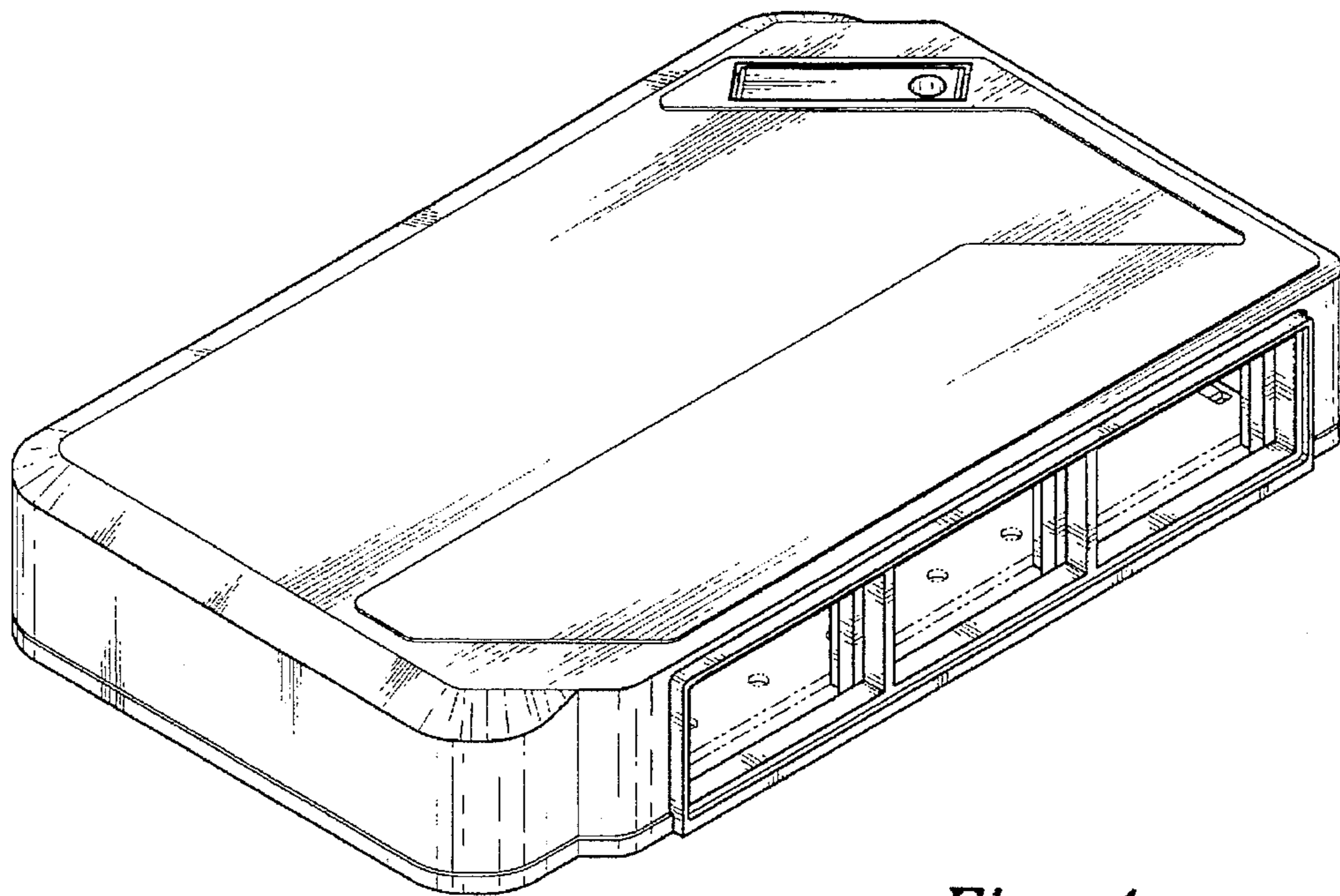
FIG. 6 is a left side elevational view thereof; and,

FIG. 7 is a right side elevational view thereof.

The broken lines are for illustrative purposes only and form no part of the claimed design.

**1 Claim, 2 Drawing Sheets**

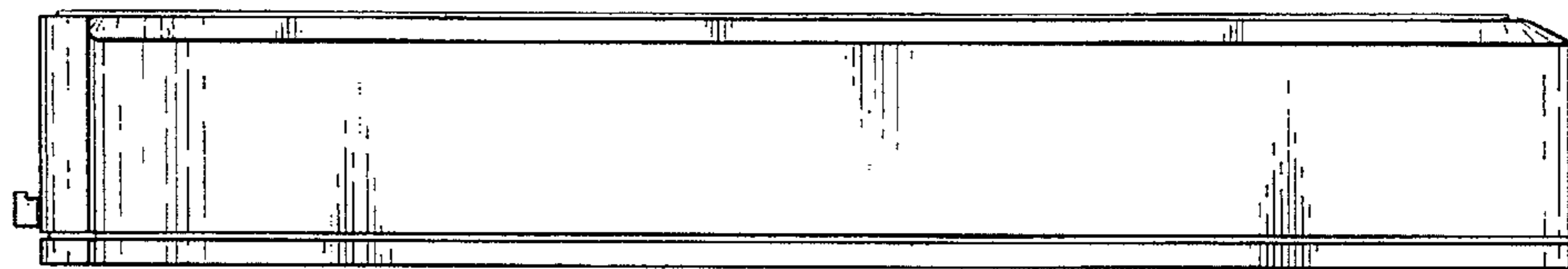




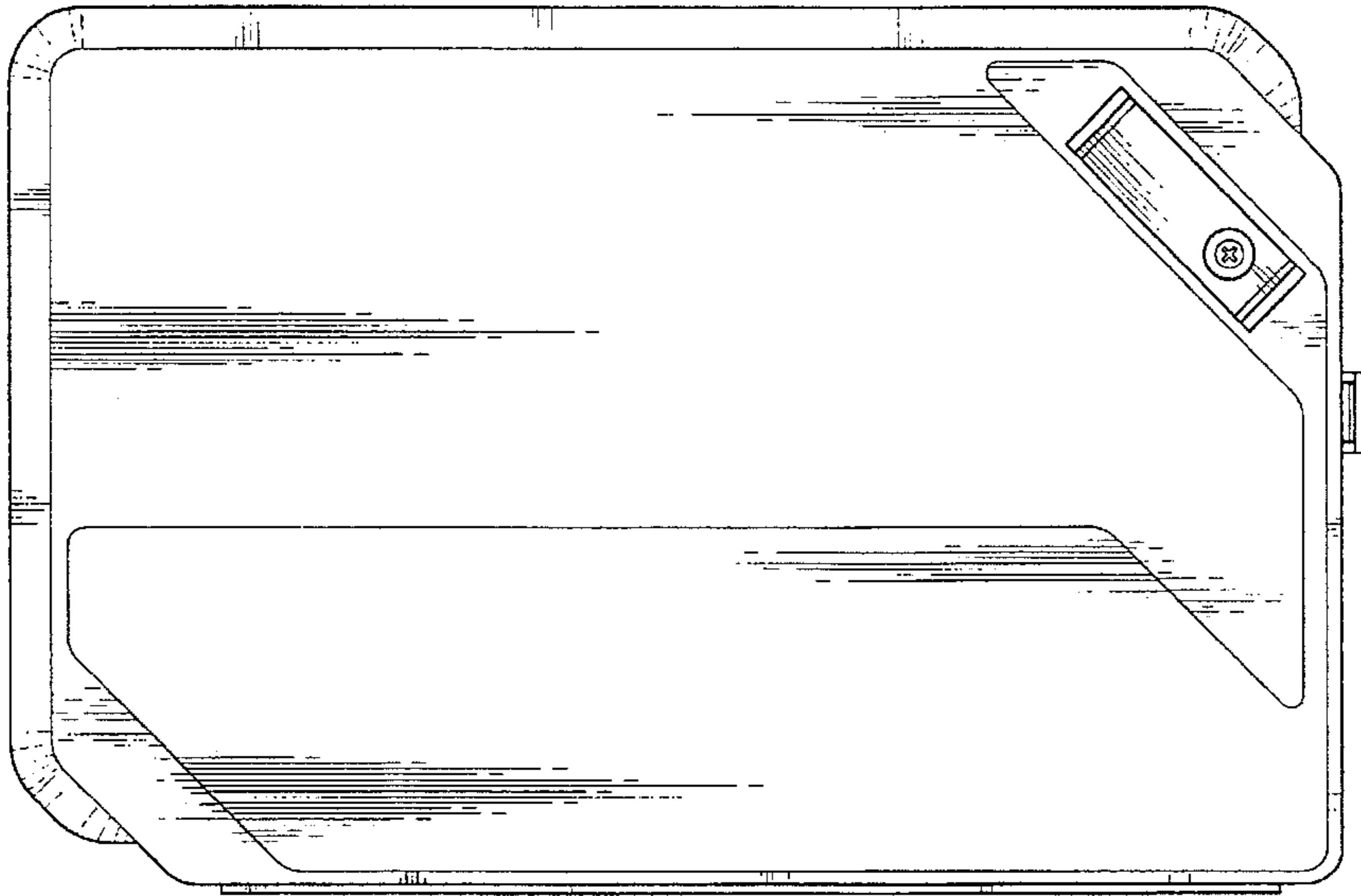
*Fig. 1*



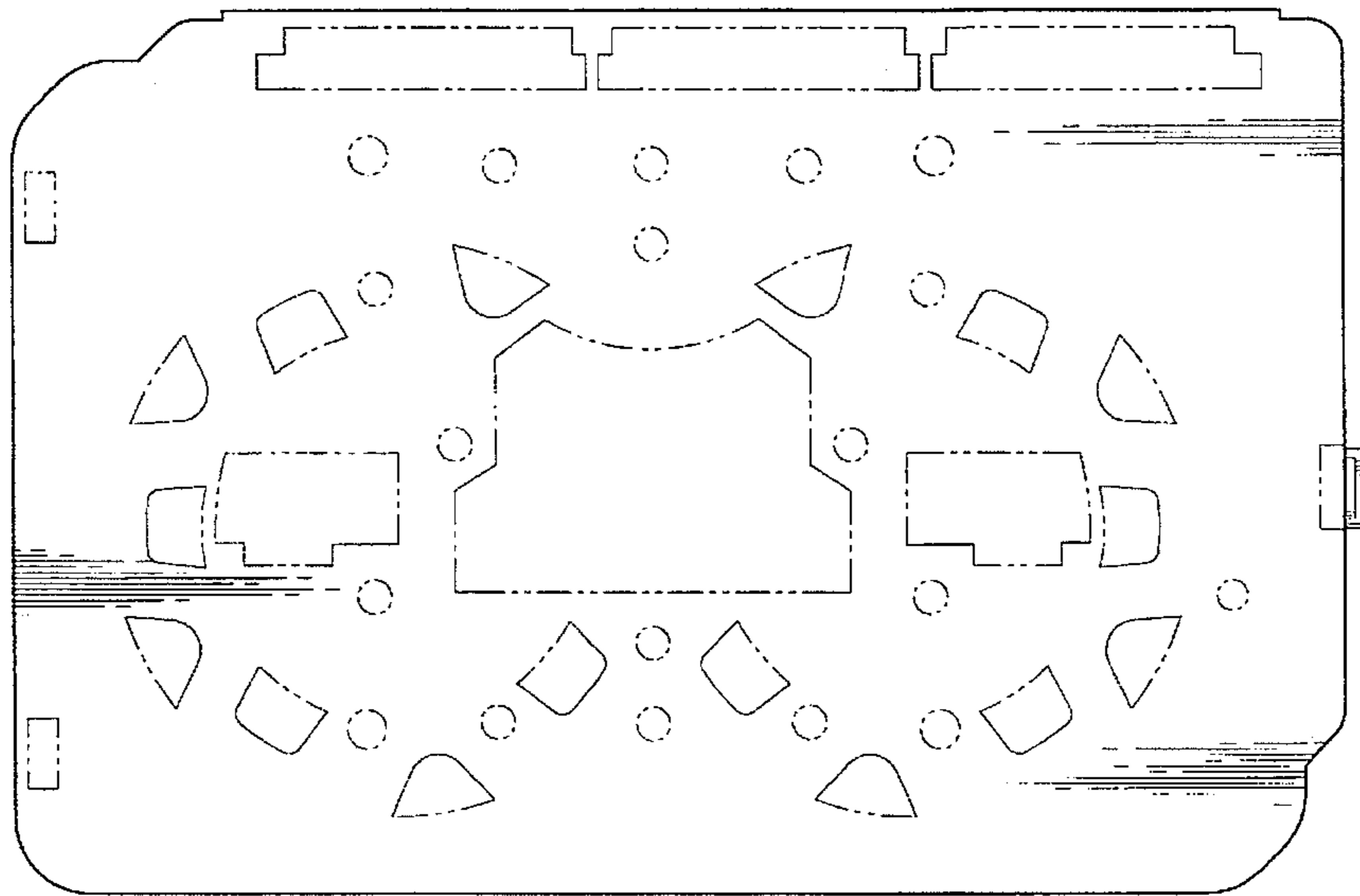
*Fig. 2*



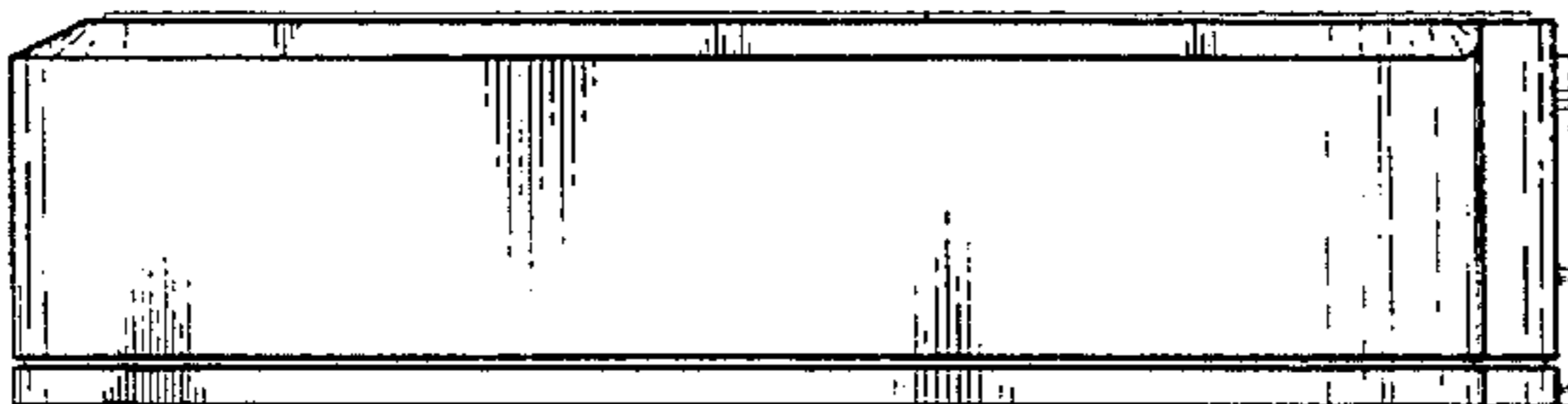
*Fig. 3*



*Fig. 4*



*Fig. 5*



*Fig. 6*

*Fig. 7*

