



US00D379170S

United States Patent [19]

Moore et al.

[11] Patent Number: Des. 379,170

[45] Date of Patent: **May 13, 1997

[54] **VEHICLE RAIL MODULE EXTERIOR SURFACE INCORPORATING A HANDLE, COATHOOK AND LAMP**

[75] Inventors: **Michael G. Moore**, Shelby Township; **Harlan E. Kifer**, Bloomfield Hills; **Barry Hutzl**, Holland, all of Mich.

[73] Assignee: **Chrysler Corporation**, Auburn Hills, Mich.

[**] Term: **14 Years**

[21] Appl. No.: **32,836**

[22] Filed: **Dec. 29, 1994**

[51] LOC (6) Cl. **12-16**

[52] U.S. Cl. **D12/190**

[58] **Field of Search** D12/400, 415, D12/418, 420, 190; D8/300, 315, 317-318, 320, 301-302; 16/110 R, 111 R, 121, 124

[56] References Cited

U.S. PATENT DOCUMENTS

D. 367,633 3/1996 Monette D12/190

Primary Examiner—Brian N. Vinson

Attorney, Agent, or Firm—Mark P. Calcaterra

[57] CLAIM

The ornamental design for a vehicle rail module exterior surface incorporating a handle, coathook and lamp, as shown and described.

DESCRIPTION

FIG. 1 is a front view of a vehicle rail module exterior surface incorporating a handle, coathook and lamp constructed in accordance with the present invention;

FIG. 2 is a cross-sectional view taken through the line 2—2 of FIG. 1, illustrating the handle in a first operative position;

FIG. 3 is a view similar to FIG. 2, showing the handle in a second operative position;

FIG. 4 is a cross-sectional view taken through the line 4—4 of FIG. 1, with the handle in its first operative position;

FIG. 5 is a view similar to FIG. 4, showing the handle in its second operative position;

FIG. 6 is a cross-sectional view taken through the line 6—6 of FIG. 1, showing the coat hook in a first operative position; and,

FIG. 7 is a view similar to FIG. 6, showing the coat hook in a second operative position.

It being understood that the back of the vehicle rail modules of the first and second embodiments is plain and unornamented and further not visible in ordinary use.

1 Claim, 3 Drawing Sheets

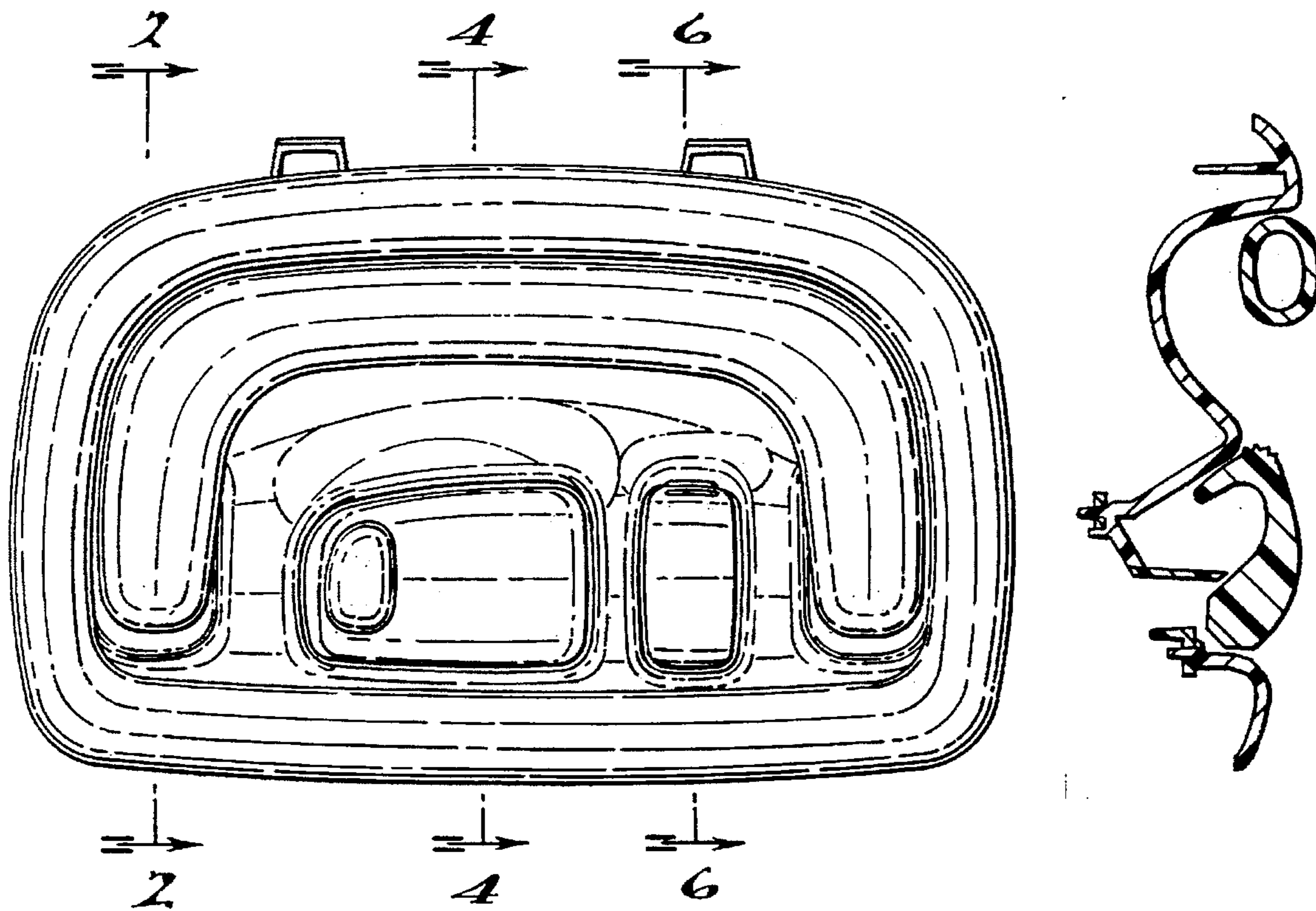
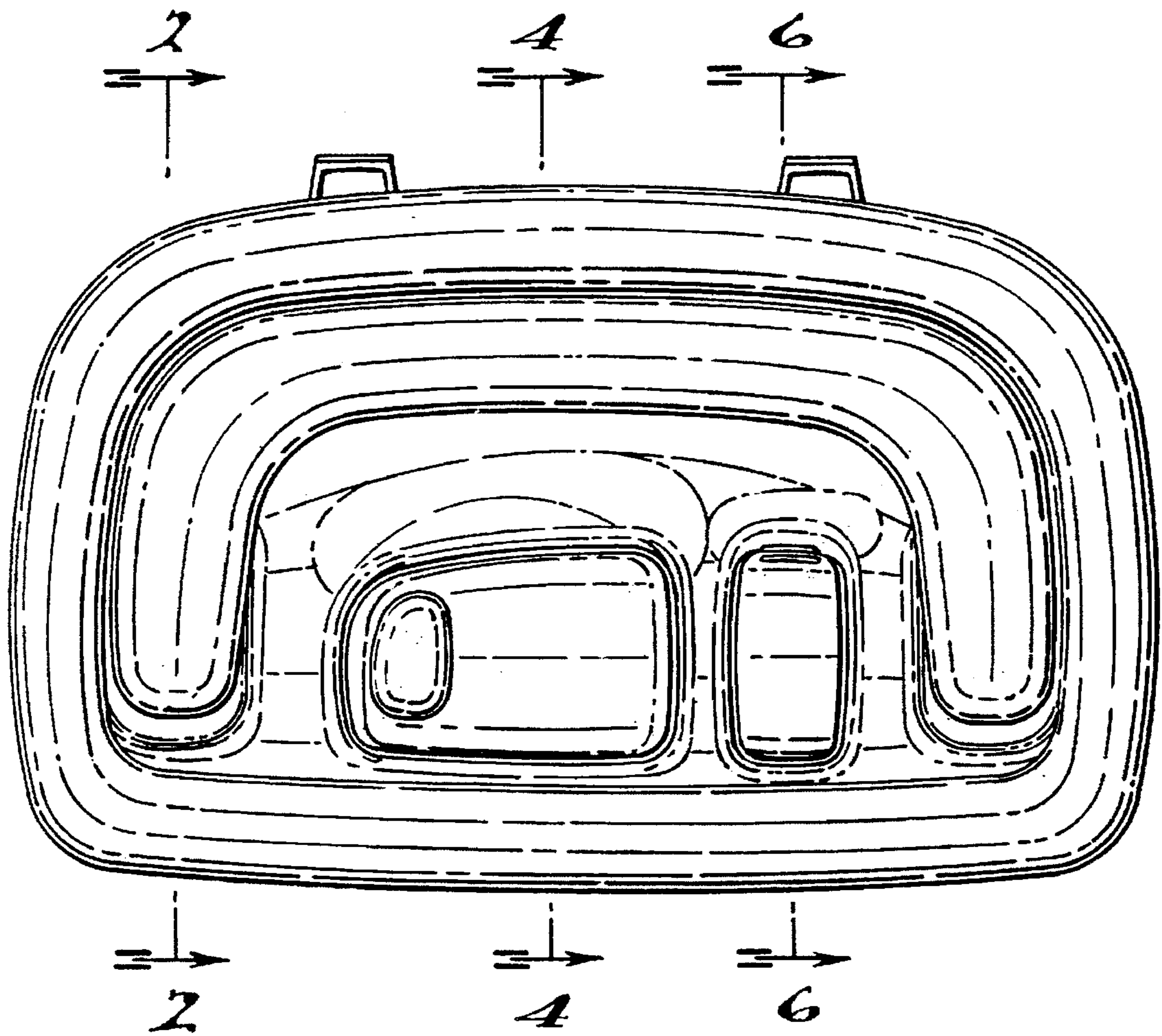
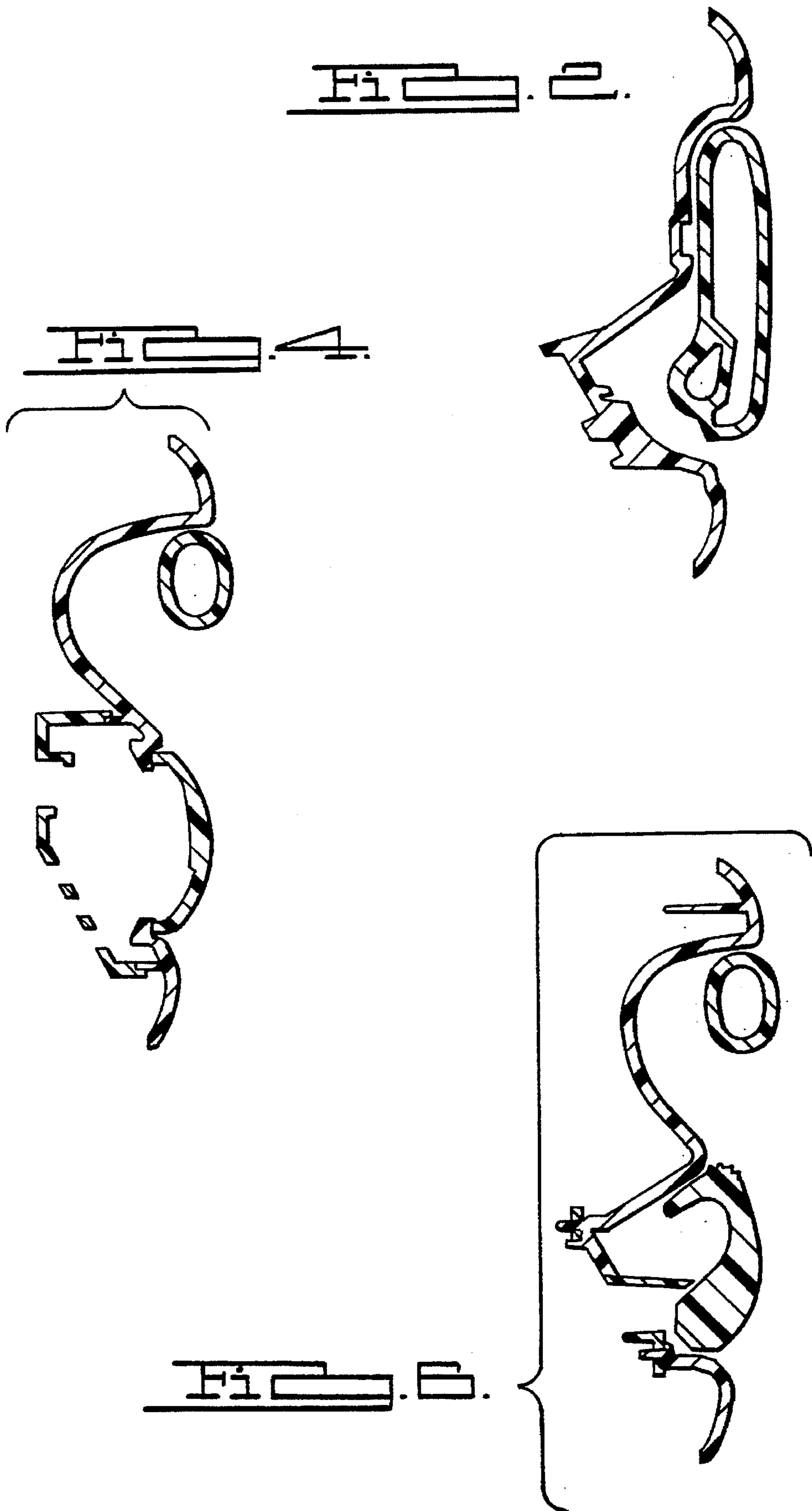
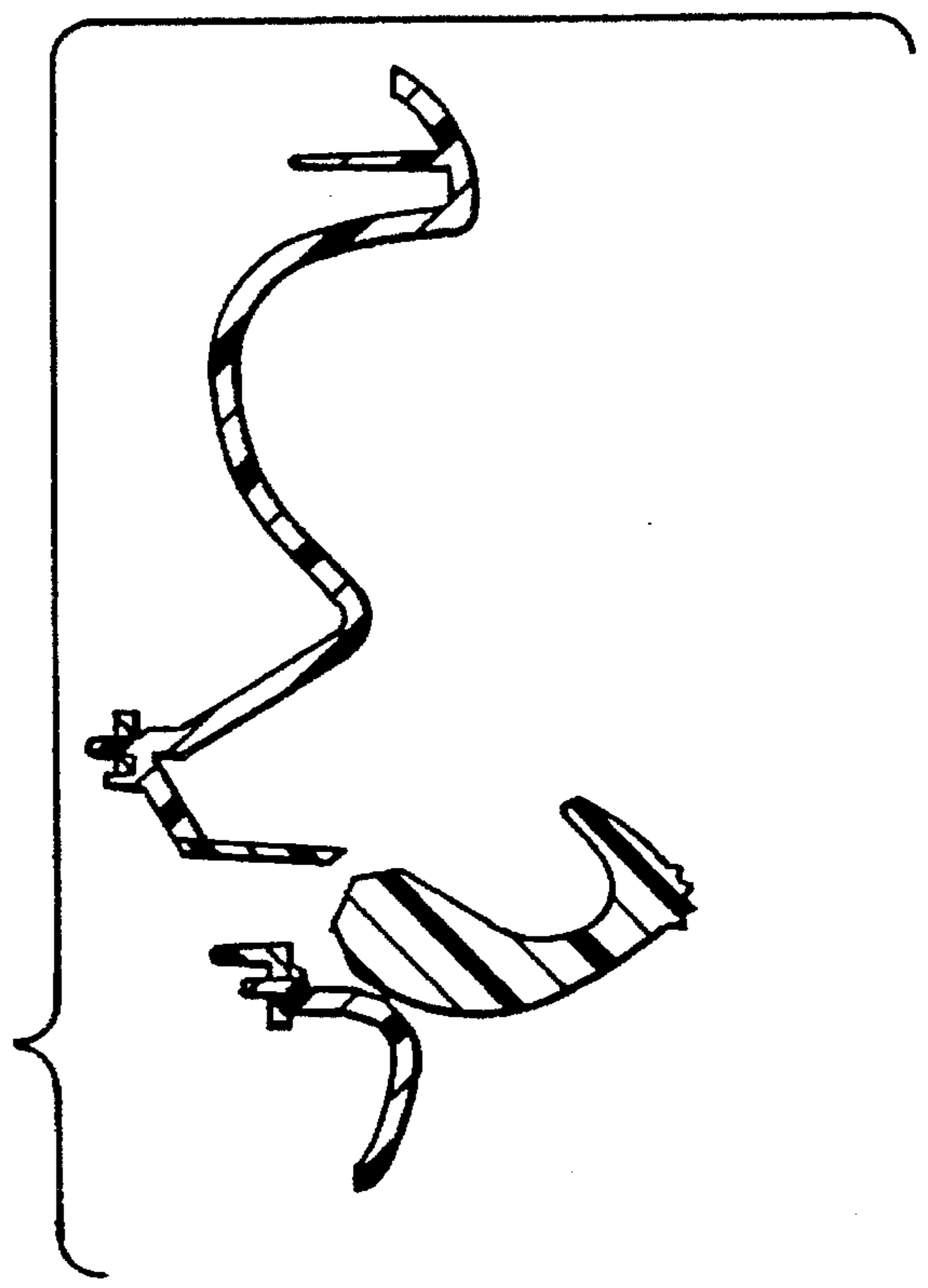
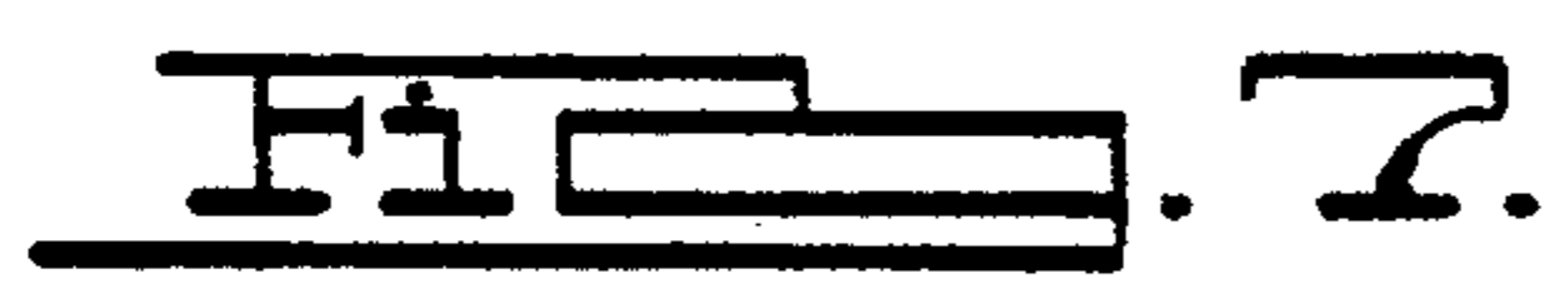
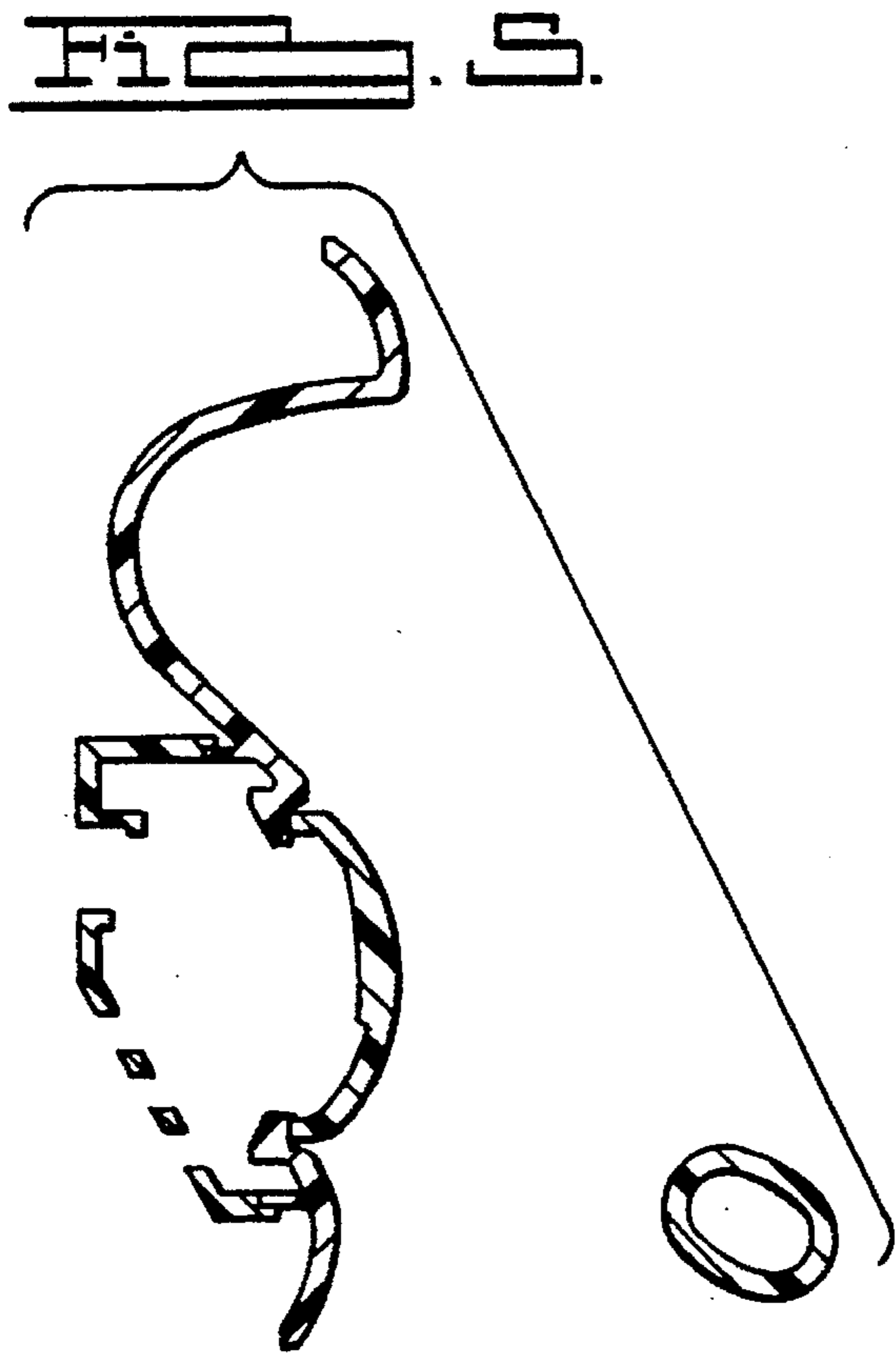
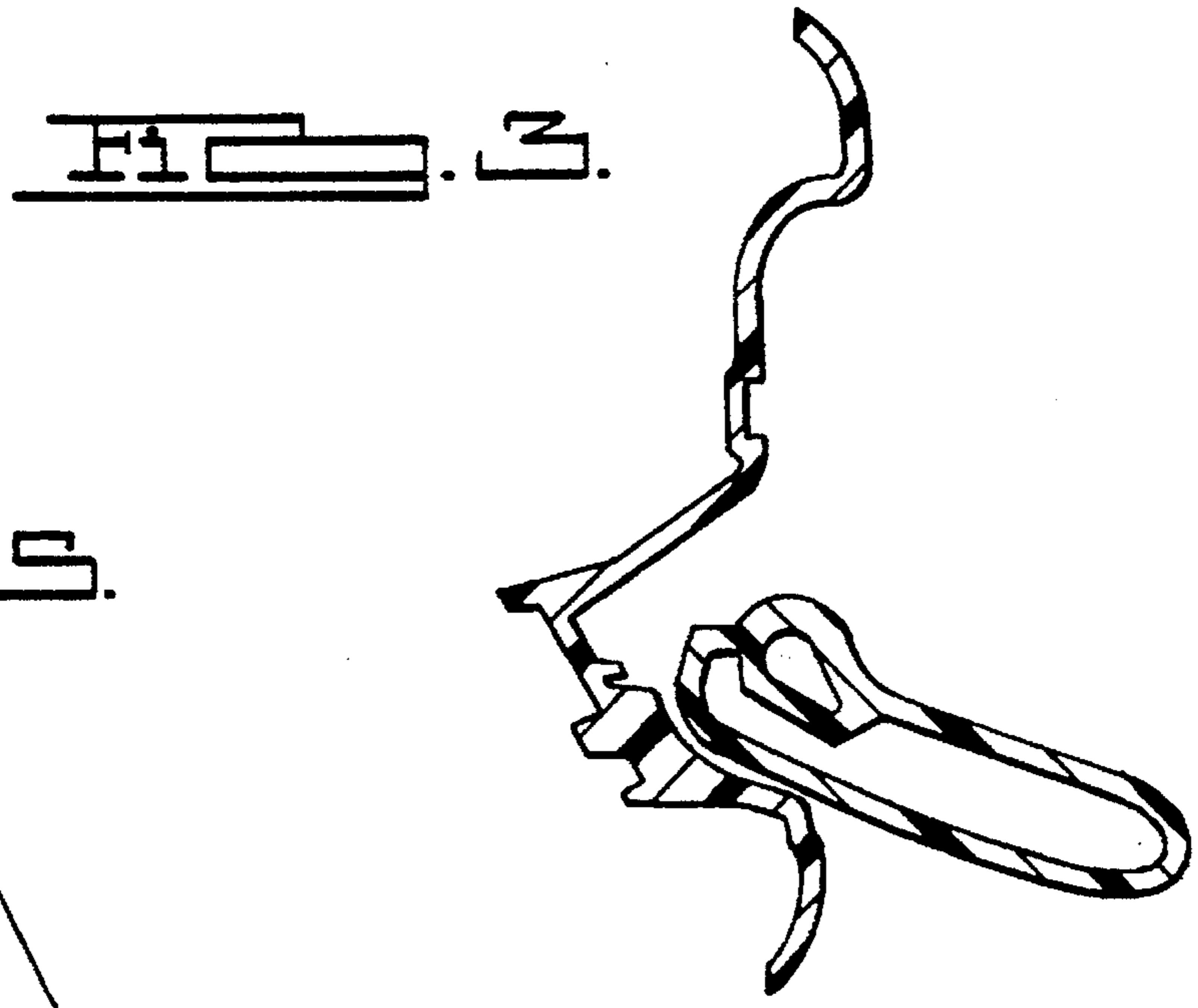


FIG. 1.







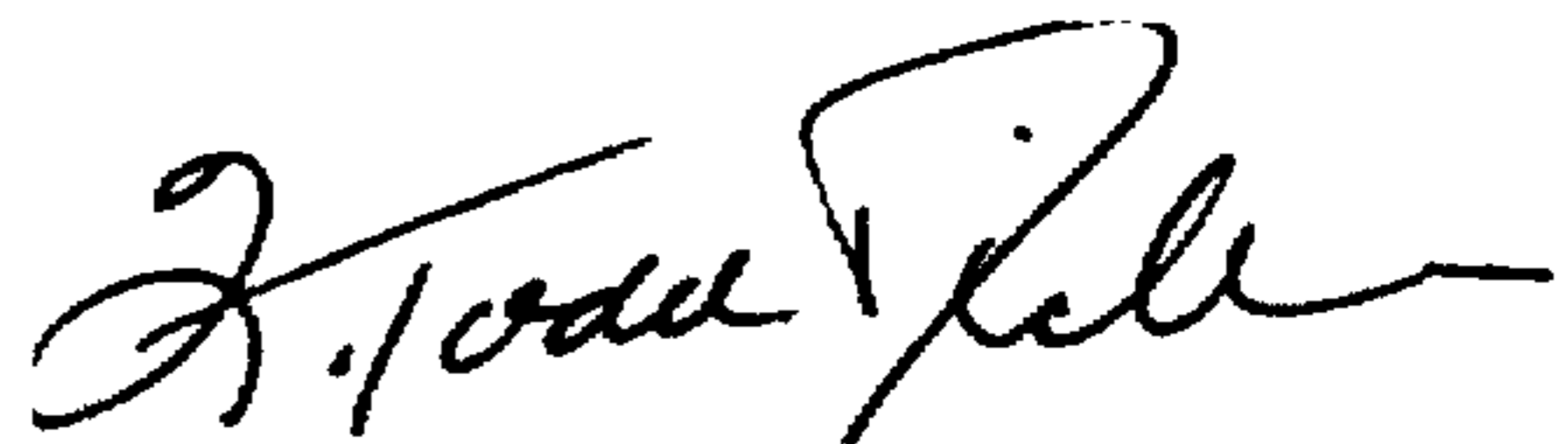
UNITED STATES PATENT AND TRADEMARK OFFICE
CERTIFICATE OF CORRECTION

PATENT NO. : D379,170
DATED : May 13, 1997
INVENTOR(S) : Moore, et al

It is certified that error appears in the above-identified patent and that said Letters Patent is hereby corrected as shown below:

ON THE TITLE PAGE, in Assignee block #73, "Donnelly Corporation, Holland, Michigan" should be added to list of assignee.

Signed and Sealed this
Twenty-first Day of March, 2000



Q. TODD DICKINSON

Commissioner of Patents and Trademarks

Attest:

Attesting Officer