



US00D379168S

United States Patent [19]
Ratliff, Jr.

[11] **Patent Number: Des. 379,168**
[45] **Date of Patent: **May 13, 1997**

- [54] **DECORATIVE BAND FOR A TIRE SIDEWALL**
- [75] **Inventor: Bill J. Ratliff, Jr., Akron, Ohio**
- [73] **Assignee: The Goodyear Tire & Rubber Company, Akron, Ohio**
- [**] **Term: 14 Years**
- [21] **Appl. No.: 51,428**
- [22] **Filed: Mar. 11, 1996**
- [51] **LOC (6) Cl. 12-15**
- [52] **U.S. Cl. D12/152**
- [58] **Field of Search D12/152; 152/523-525**

[56] **References Cited**

U.S. PATENT DOCUMENTS

D. 87,082	5/1932	Reuter-Lorenzen	D12/152
D. 96,797	9/1935	Anderson	D12/152
D. 270,723	9/1983	McDonald	D12/152
D. 293,563	1/1988	Fuzioka et al.	D12/152
1,989,703	2/1935	Leguillon	152/523

FOREIGN PATENT DOCUMENTS

0691224 3/1995 European Pat. Off. B60C 13/00

Primary Examiner—James M. Gandy
Assistant Examiner—Stacia Sinuik
Attorney, Agent, or Firm—David L. King

[57] **CLAIM**

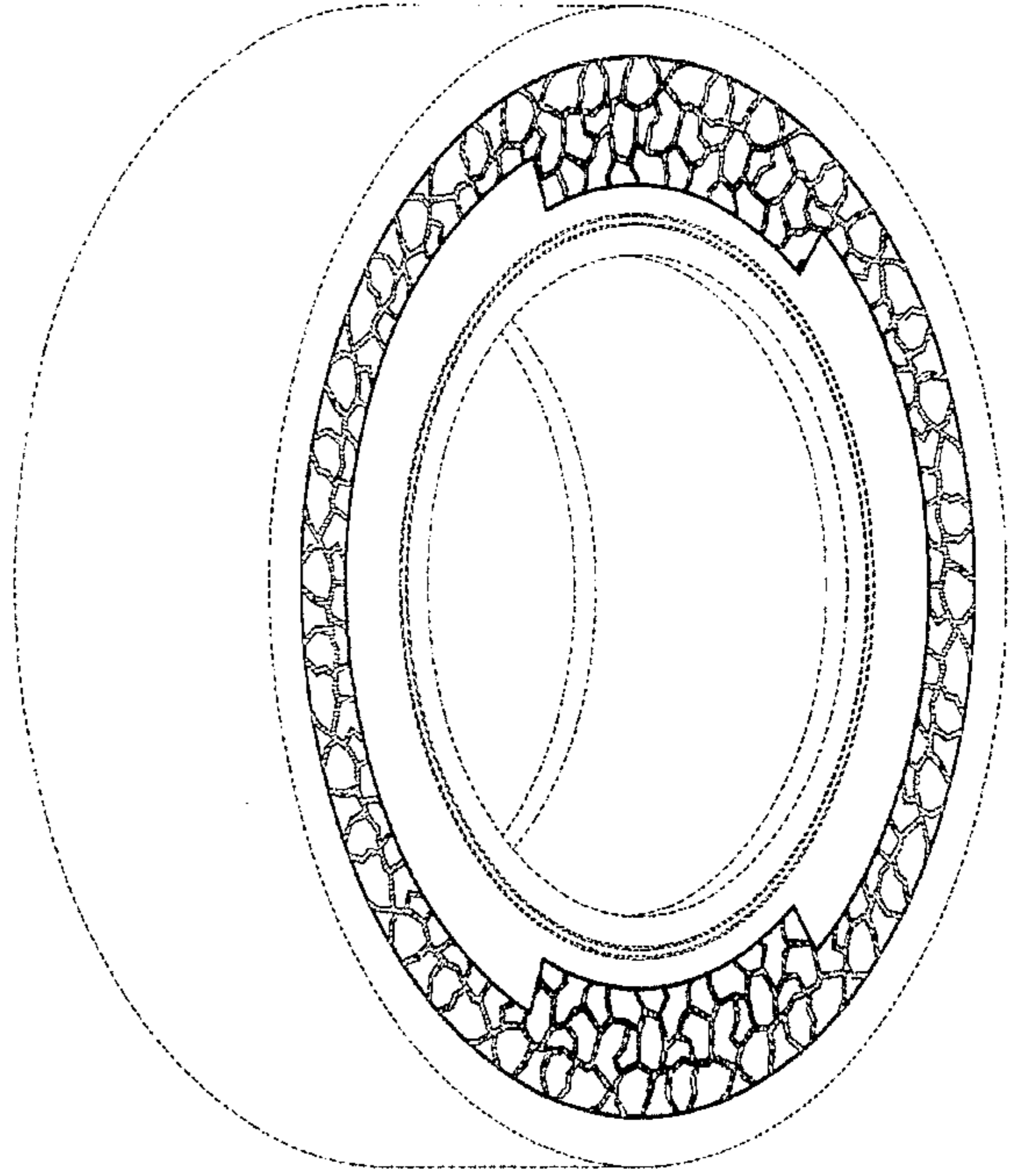
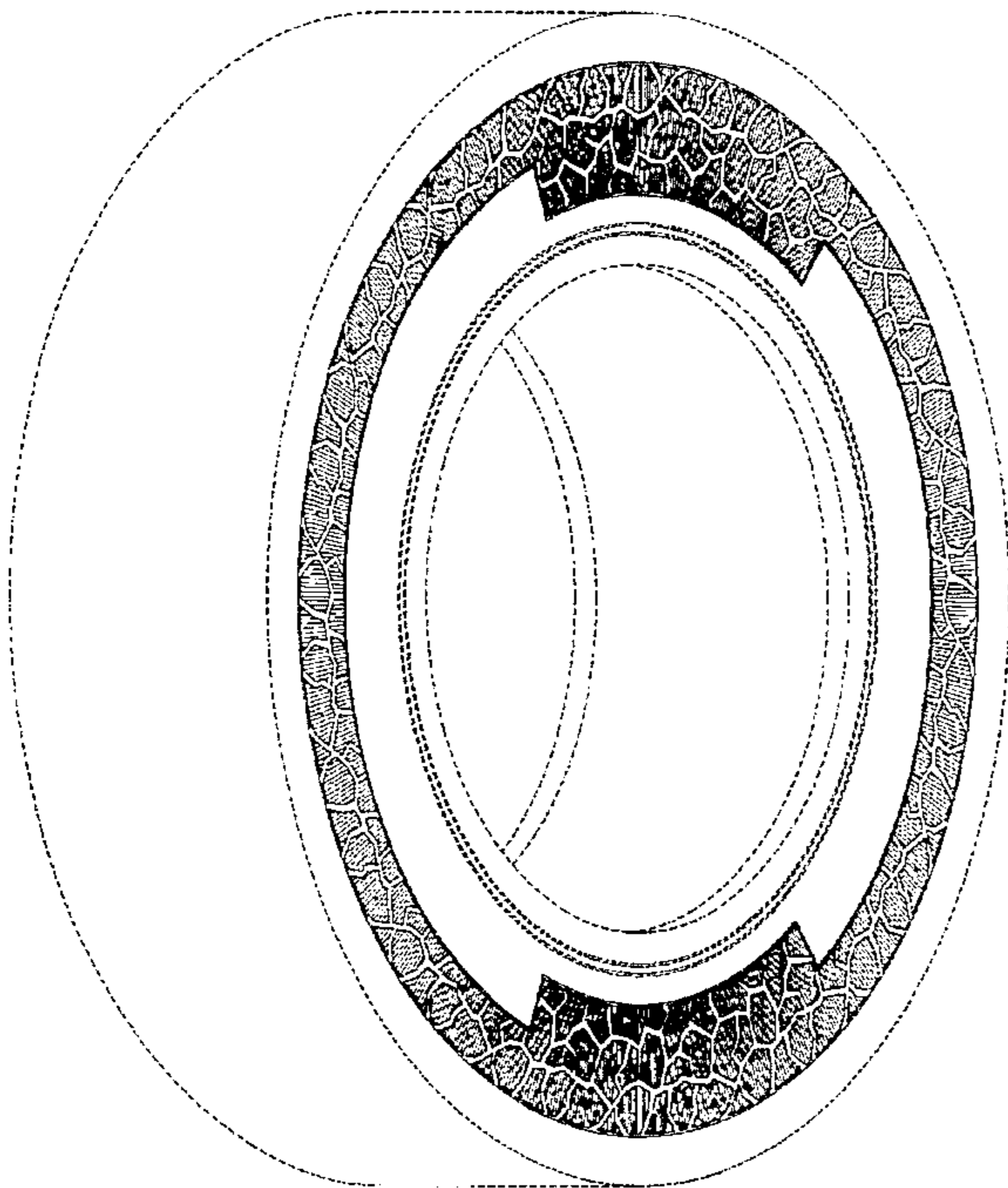
The ornamental design for a decorative band for a tire sidewall, as shown and described.

DESCRIPTION

FIG. 1 is a side view of the first embodiment of a decorative band for a tire sidewall, showing my new design; FIG. 2 is a perspective view thereof; FIG. 3 is a side view of the second embodiment of a decorative band for a tire sidewall, which is a reversed pattern of the first embodiment; and, FIG. 4 is a perspective view thereof.

The broken line showing of environment is for illustrative purposes only and forms no part of the claimed design.

1 Claim, 4 Drawing Sheets



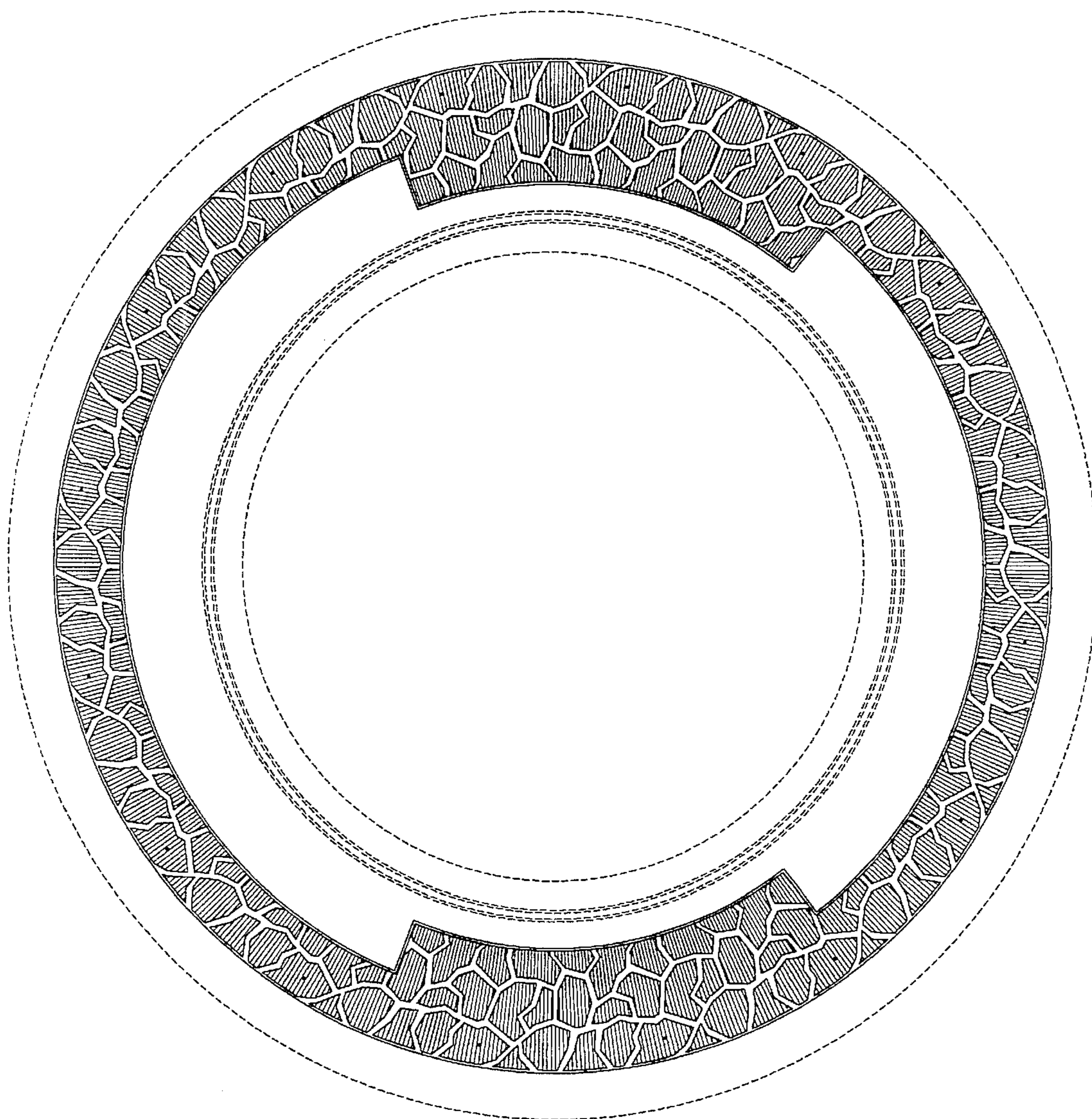


FIG-1

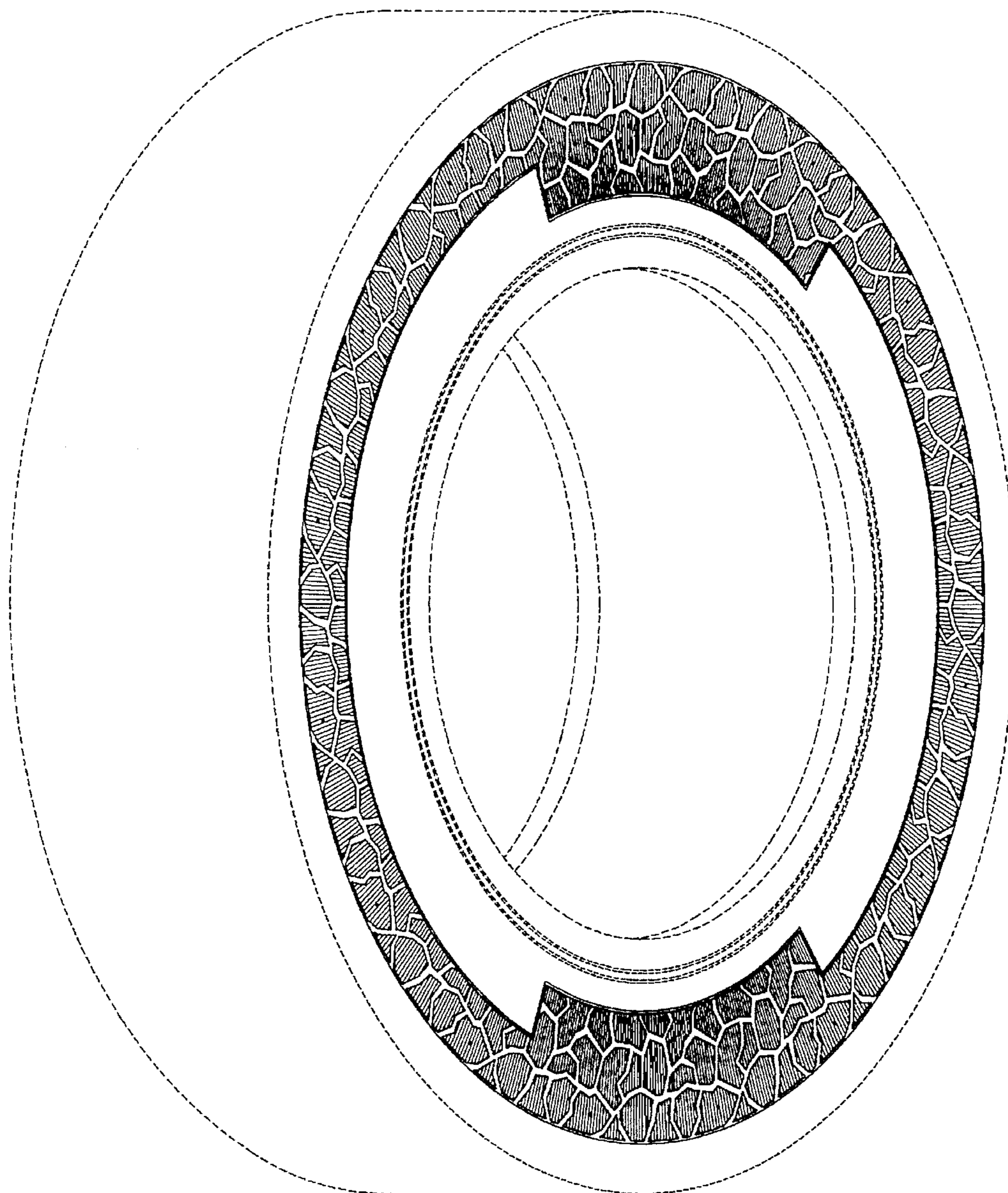


FIG-2

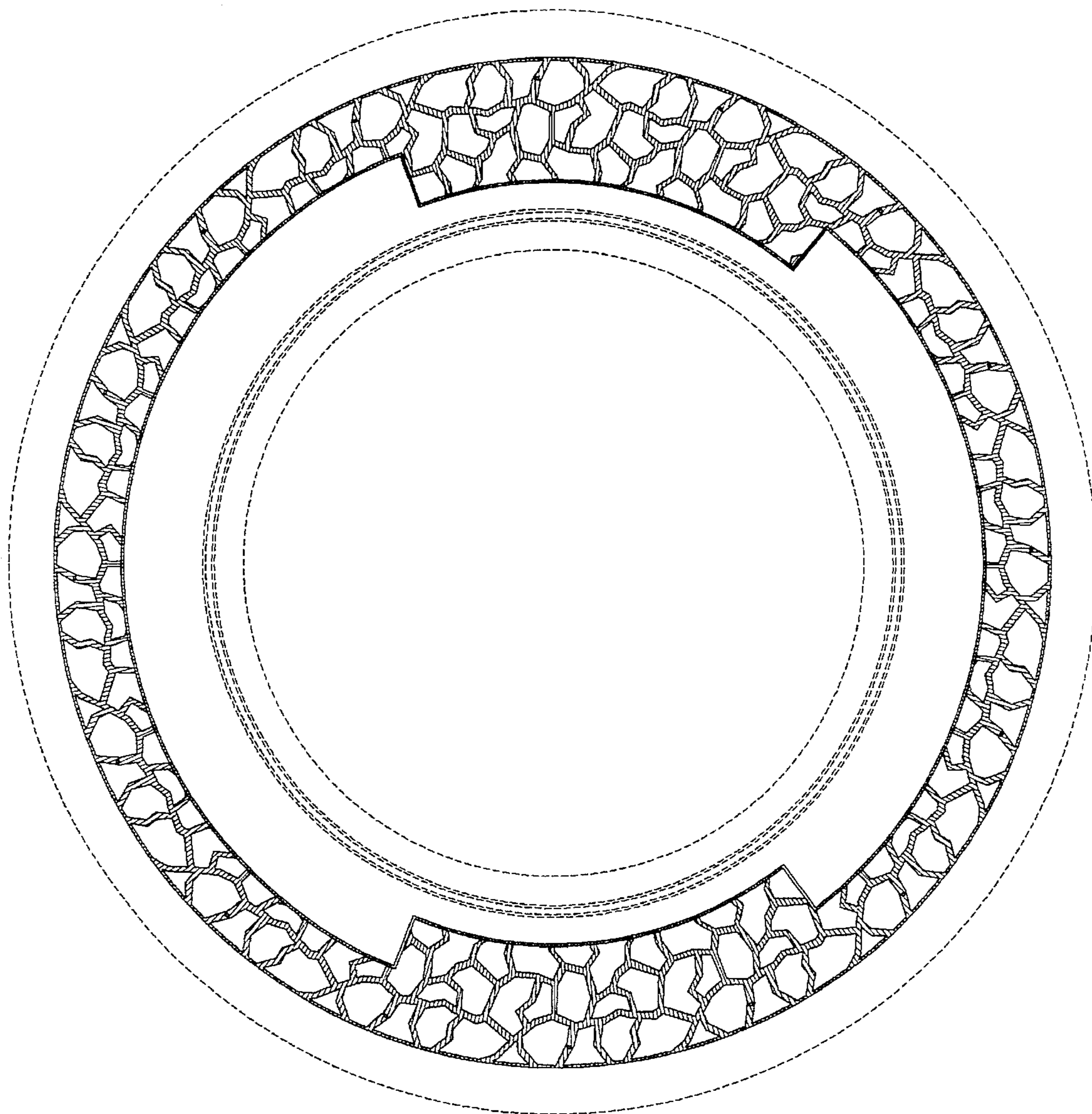


FIG-3

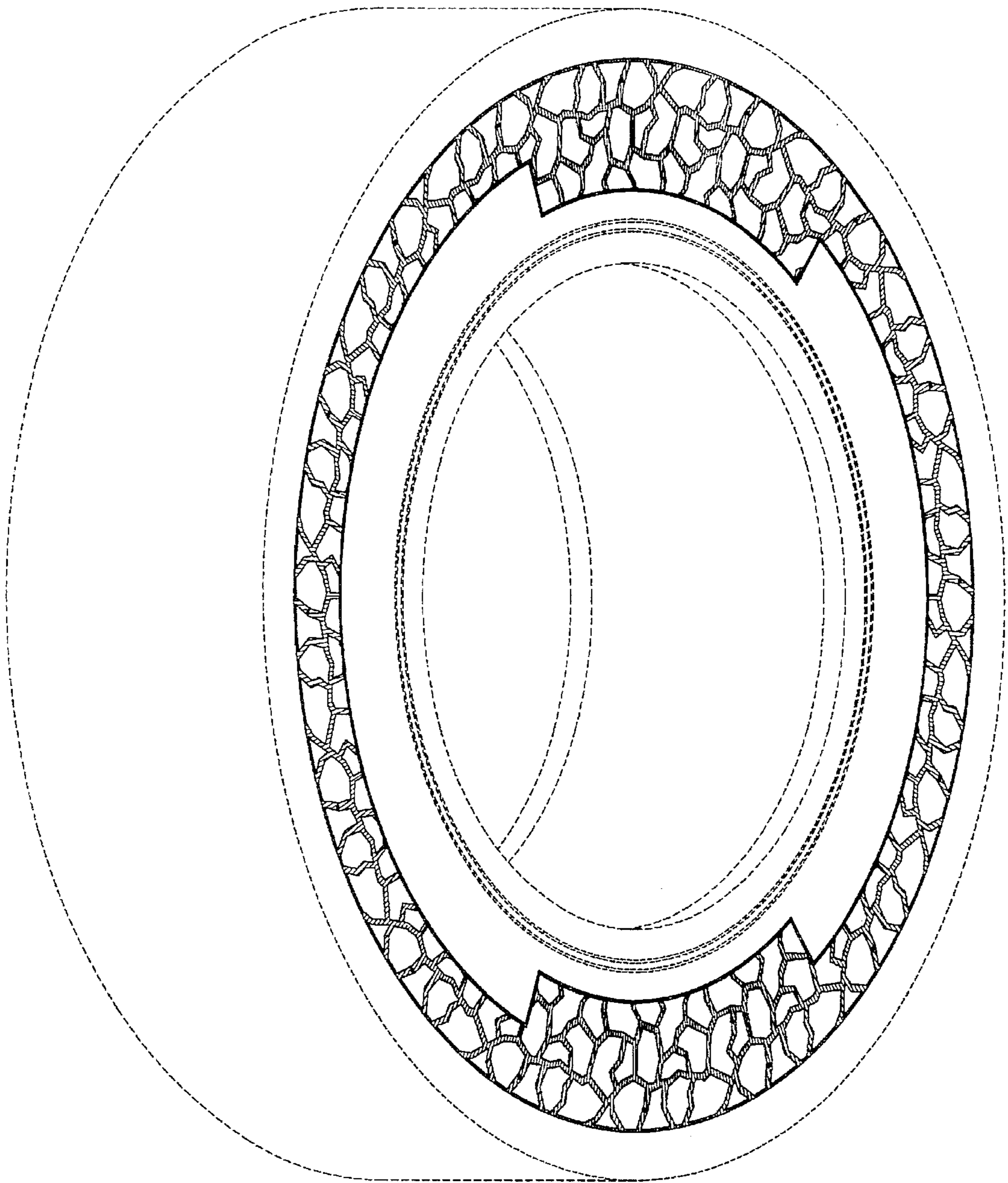


FIG-4