



US00D379163S

United States Patent [19]
Lai

[11] **Patent Number: Des. 379,163**

[45] **Date of Patent: **May 13, 1997**

[54] **BICYCLE FRAME**

D. 230,963 3/1974 Bauer D12/111
D. 299,121 12/1988 Oh D12/111

[76] **Inventor: Yen-Pin Lai**, No. 199, Wu-Tung South Road, Pu Shin Country, Changhua, Taiwan

Primary Examiner—Melody N. Brown
Attorney, Agent, or Firm—Beveridge, DeGrandi, Weilacher & Young, L.L.P.

[**] **Term: 14 Years**

[57] **CLAIM**

[21] **Appl. No.: 30,867**

The ornamental design for a bicycle frame, shown and described.

[22] **Filed: Nov. 10, 1994**

DESCRIPTION

[51] **LOC (6) Cl. 12-11**

[52] **U.S. Cl. D12/111**

[58] **Field of Search** D12/111; 280/281.1, 280/288.1, 288.2, 288.3

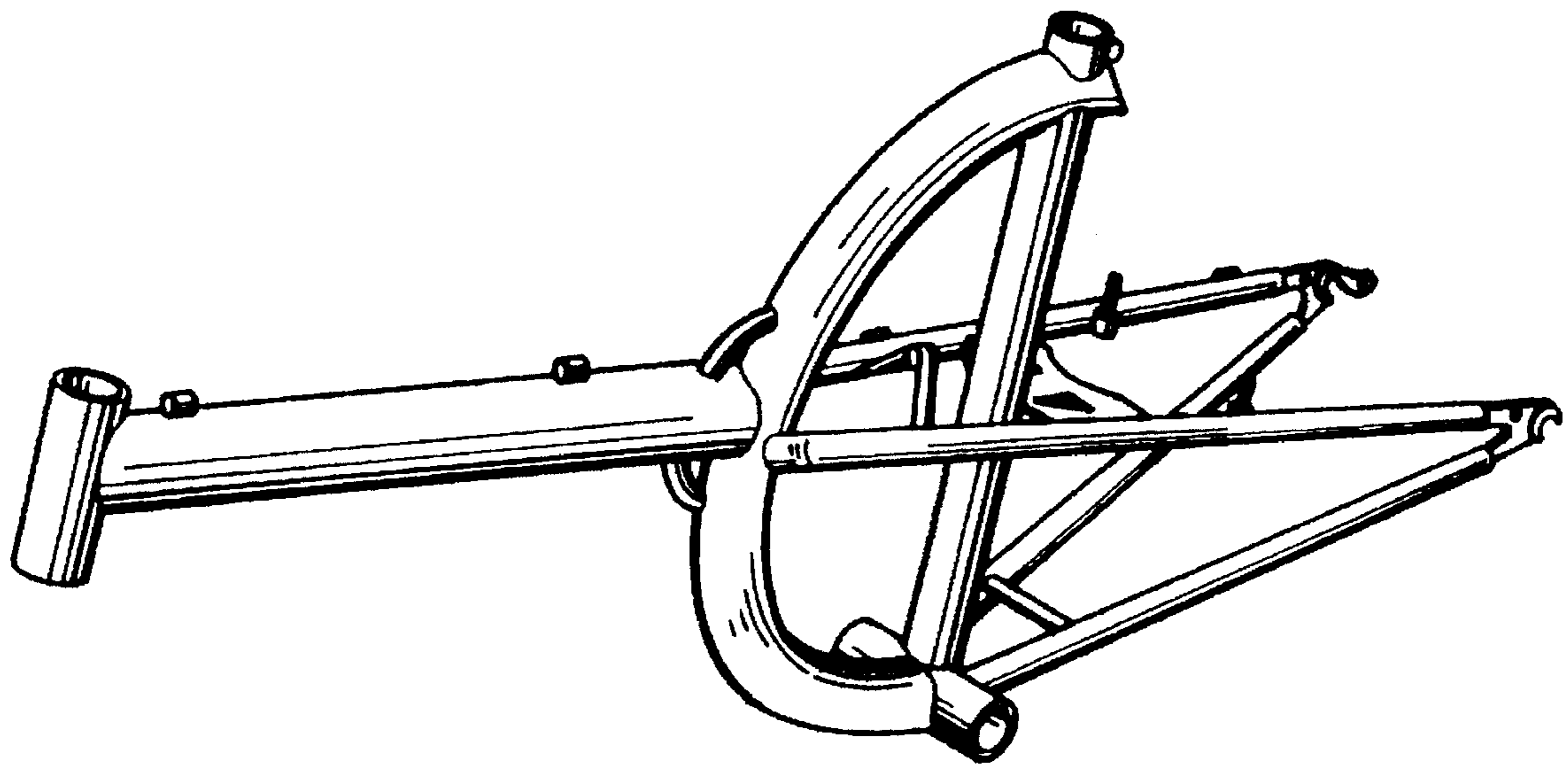
FIG. 1 is a front elevational view of a bicycle frame design; FIG. 2 is a rear elevational view thereof; FIG. 3 is a left side elevational view thereof; FIG. 4 is a right side elevational view thereof; FIG. 5 is a top plan view thereof; FIG. 6 is a bottom plan view thereof; and, FIG. 7 is a perspective view thereof.

[56] **References Cited**

U.S. PATENT DOCUMENTS

D. 103,124 2/1937 Morgan D12/111
D. 224,374 7/1972 Boucher D12/111

1 Claim, 5 Drawing Sheets



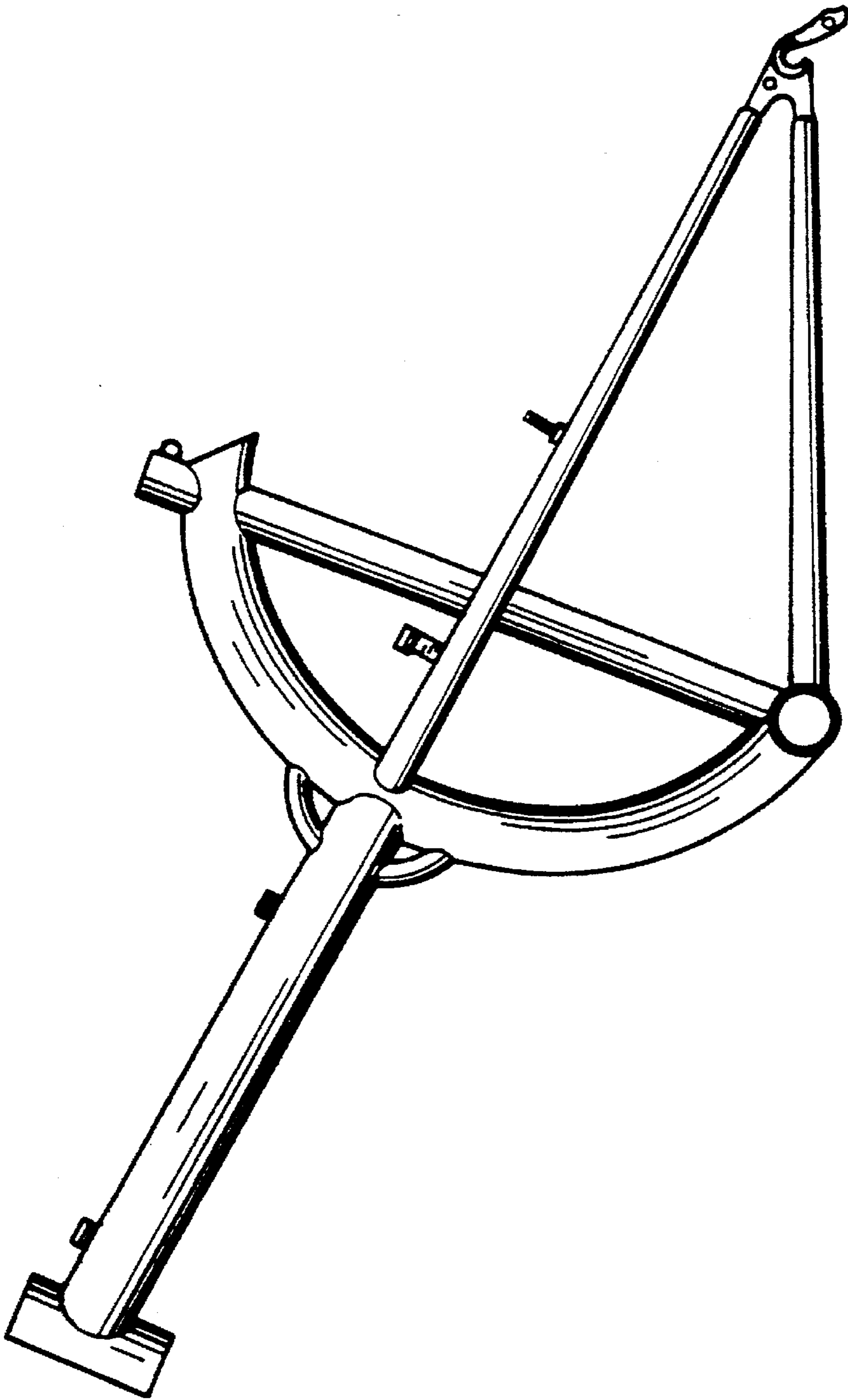


FIG. 1

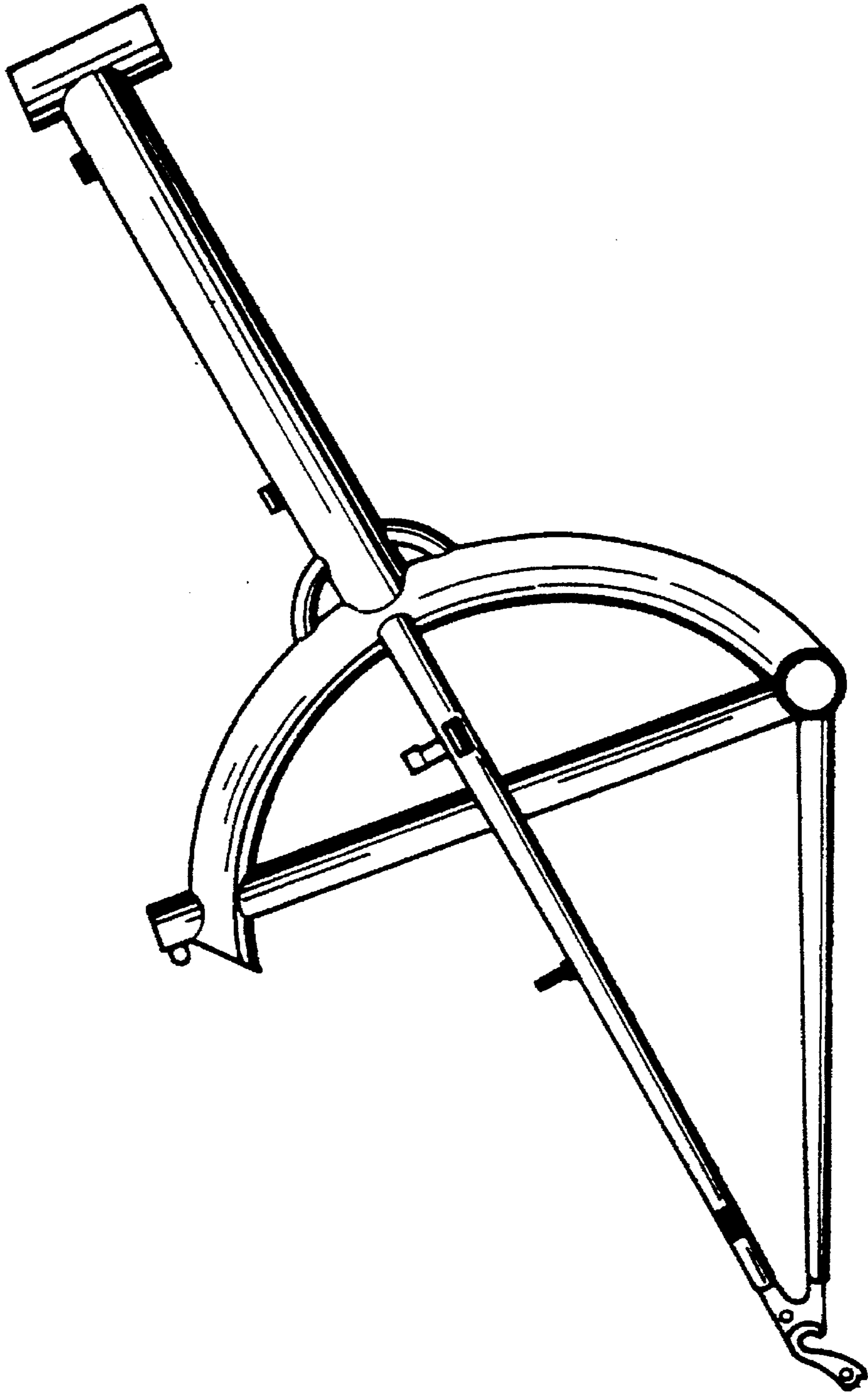


FIG. 2

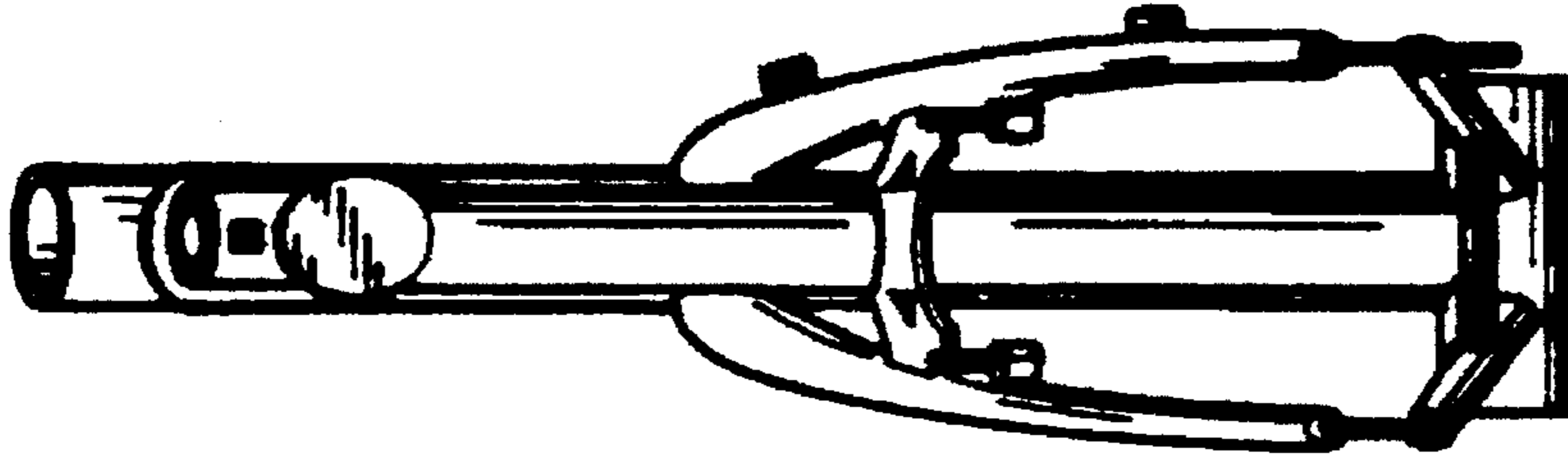


FIG. 4

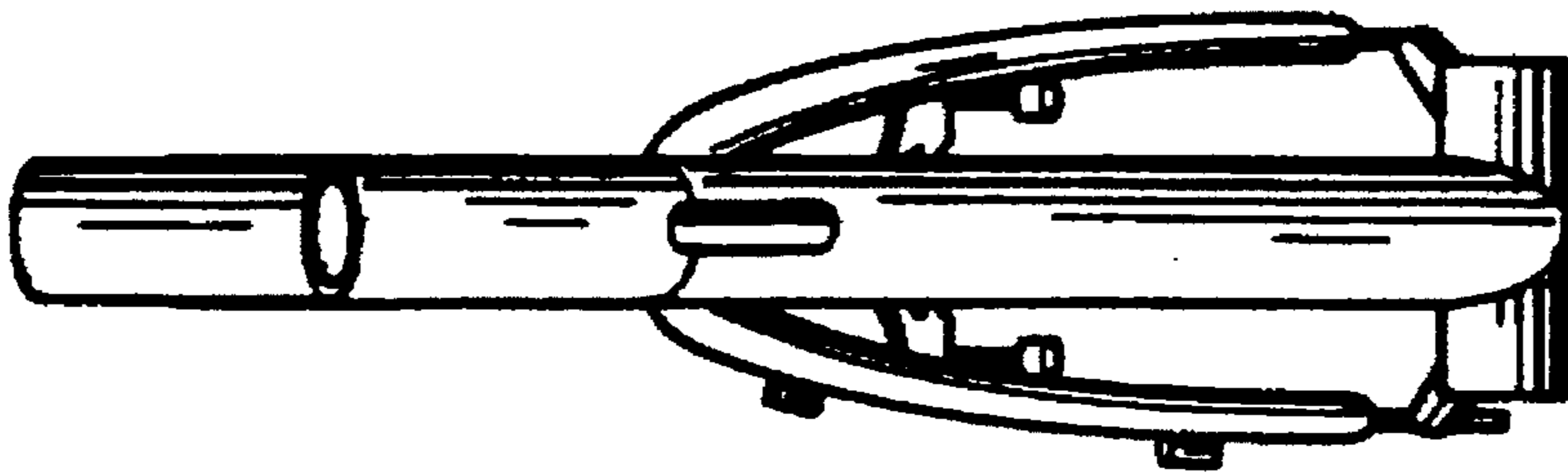


FIG. 3

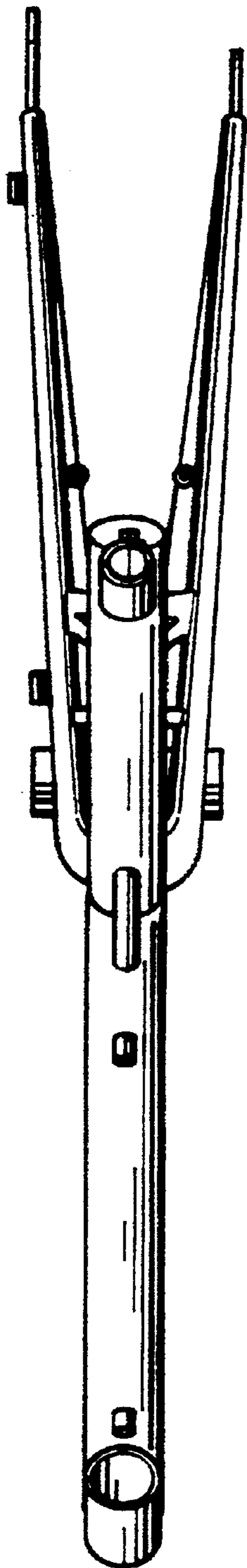


FIG. 5

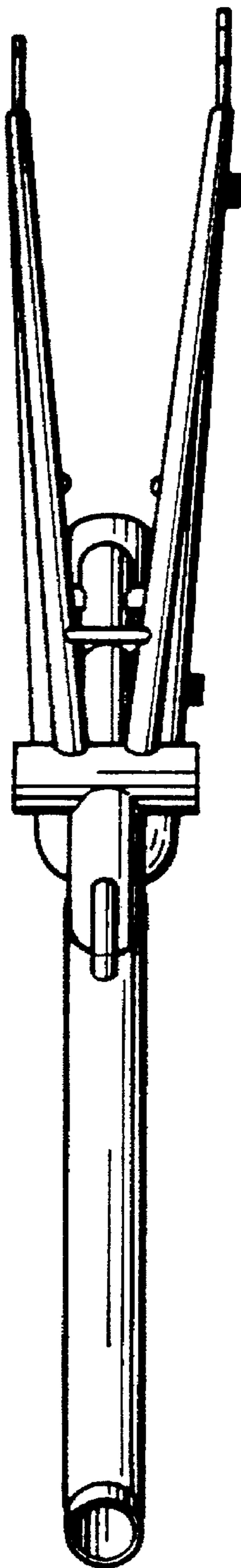


FIG. 6

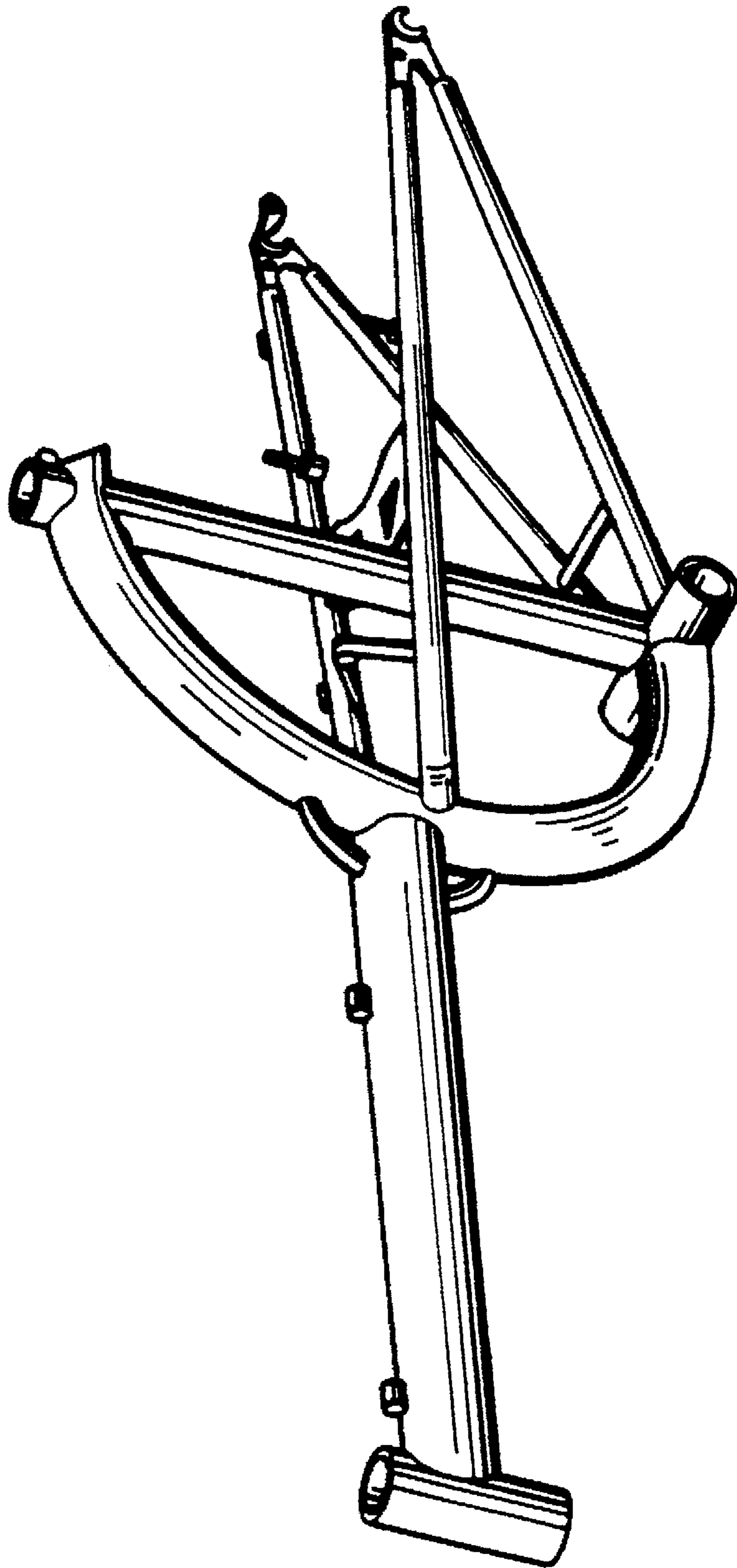


FIG. 7