



US00D379160S

United States Patent [19]

Johansson et al.

[11] Patent Number: **Des. 379,160**

[45] Date of Patent: ****May 13, 1997**

[54] **BUCKLE**

4,559,678	12/1985	Birkenstock	24/324
4,812,064	3/1989	Hatakeyama et al.	24/303

[75] Inventors: **Ronald C. Johansson**, Stillwater Township, Washington County; **Vaughn B. Grannis**, Inver Grove Heights; **Gerald M. Brostrom**, Burnsville, all of Minn.

FOREIGN PATENT DOCUMENTS

661416	7/1929	France	24/324
10730	8/1880	Germany	24/71 SK
39125	4/1887	Germany	24/71 SK

[73] Assignee: **Minnesota Mining and Manufacturing Company**, St. Paul, Minn.

OTHER PUBLICATIONS

North Safety Equipment Product Literature for *RP-400 Respirator Selection Guide* (1990).

[**] Term: **14 Years**

Primary Examiner—Ralf Seifert

Attorney, Agent, or Firm—Gary L. Griswold; Walter N. Kirn; Karl G. Hanson

[21] Appl. No.: **42,389**

[22] Filed: **Aug. 9, 1995**

[57] CLAIM

[51] LOC (6) Cl. **02-07**

The ornamental design for a buckle, as shown and described.

[52] U.S. Cl. **D11/216**

DESCRIPTION

[58] Field of Search D11/200, 201, D11/216; 24/311, 313, 315, 322, 323, 324-325, 303, 132 R, 133, 170, 173-174, 191, 193, 198, 71 SK, 73

FIG. 1 is a perspective view of a buckle showing my new design;

FIG. 2 is a right side view of the buckle of FIG. 1, the left side view being a mirror image thereof;

FIG. 3 is a top view thereof;

FIG. 4 is a bottom view thereof;

FIG. 5 is a front view thereof; and,

FIG. 6 is a rear view thereof.

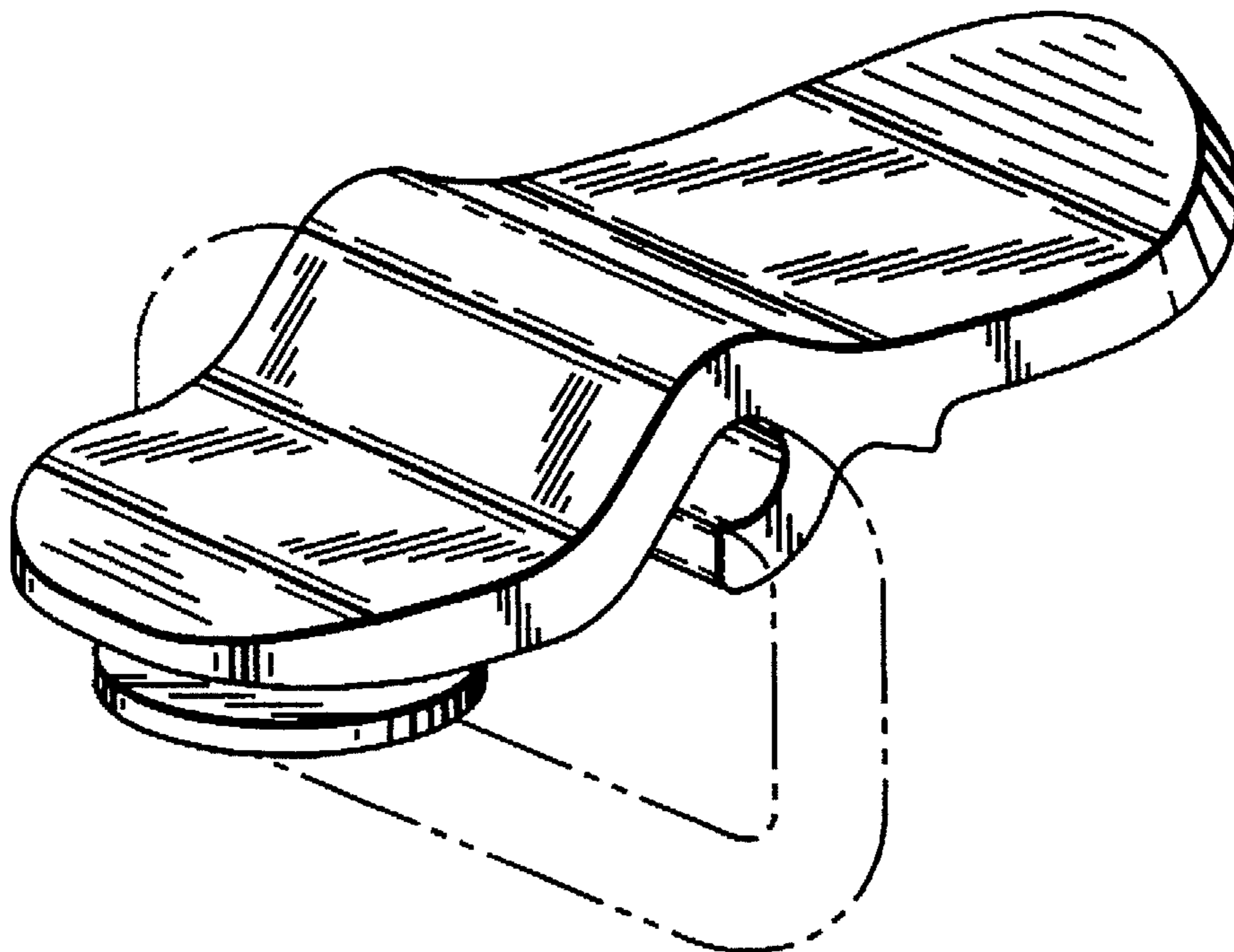
The broken line showing of a ring, shown in FIGS. 1-6, is for illustrative purposes only and forms no part of the claimed design.

[56] References Cited

U.S. PATENT DOCUMENTS

D. 103,176	2/1937	Knoll	D11/216
352,532	11/1886	Fox et al.	24/71 SK
520,373	5/1894	McClure	24/198
3,127,650	4/1964	Seward	24/303
4,104,811	8/1978	Salomon	24/326
4,253,217	3/1981	Marzocchi	24/71 SK

1 Claim, 2 Drawing Sheets



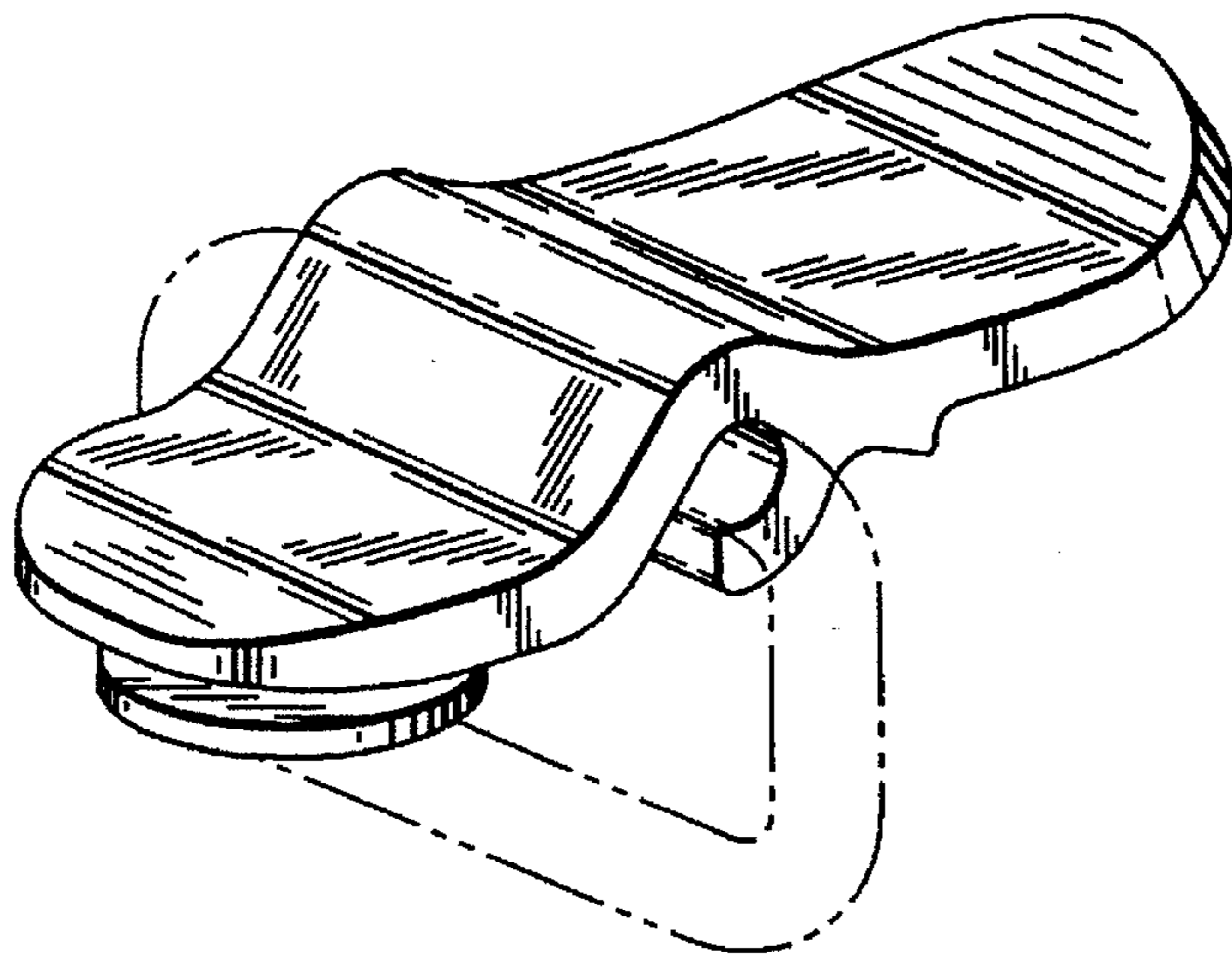


Fig. 1

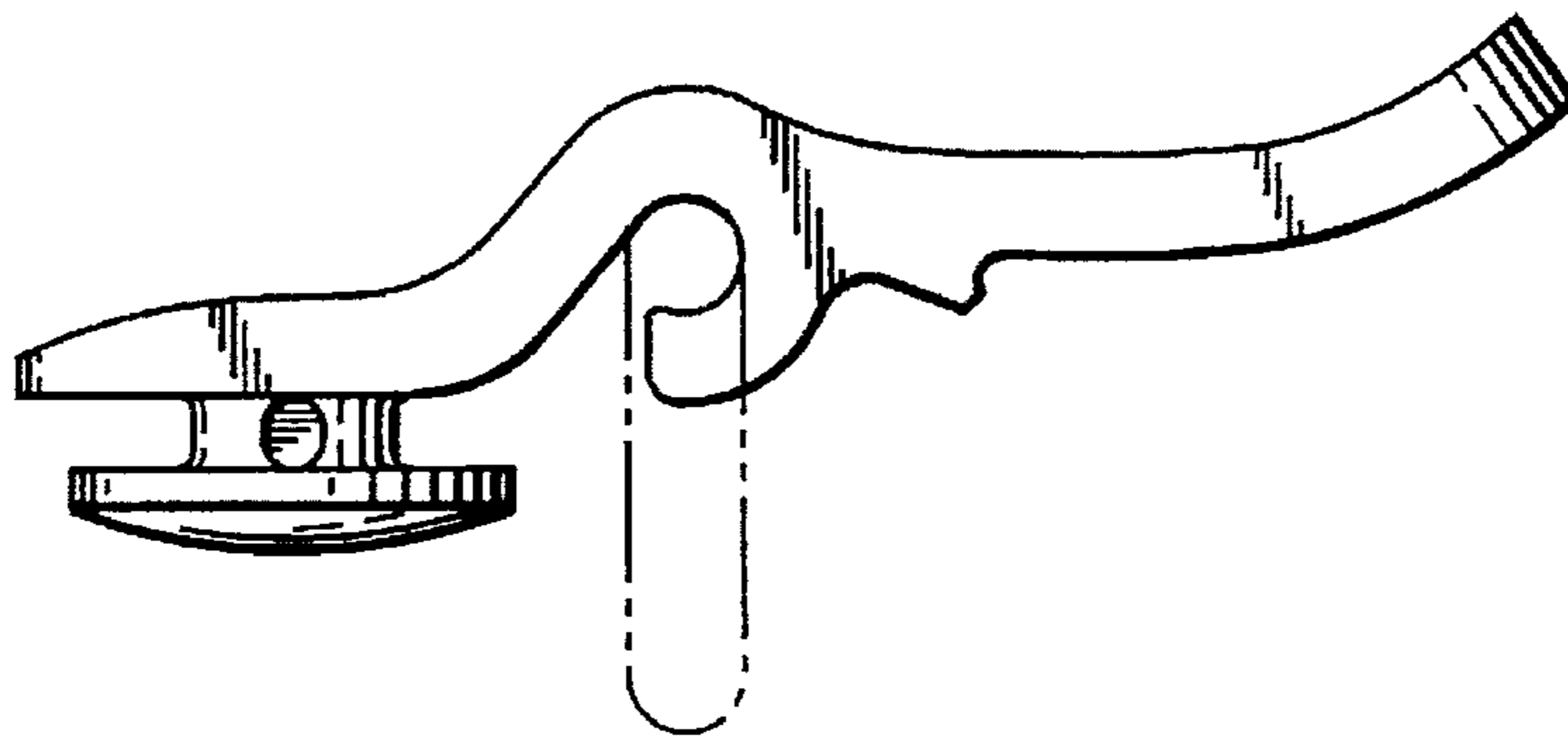


Fig. 2

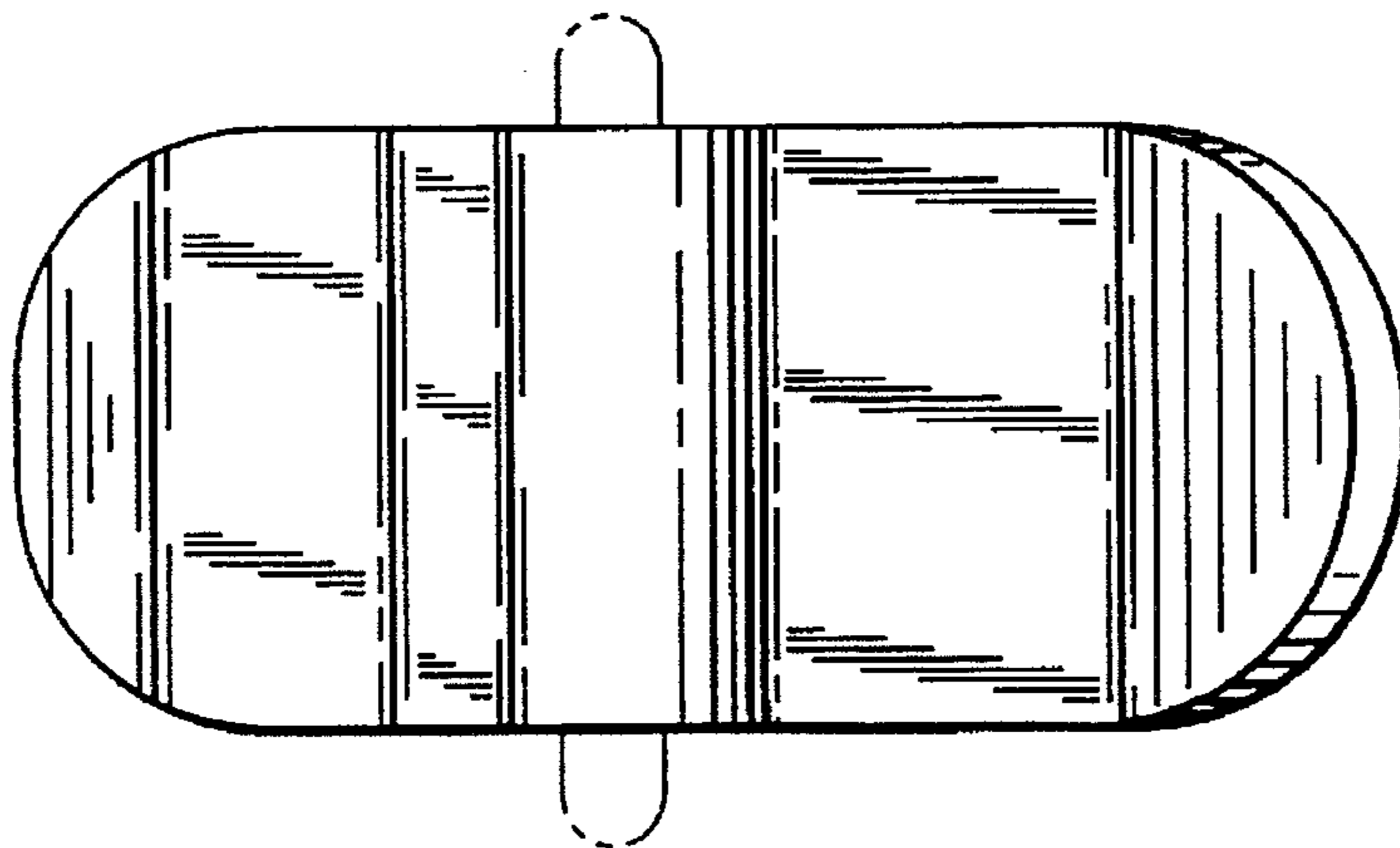


Fig. 3

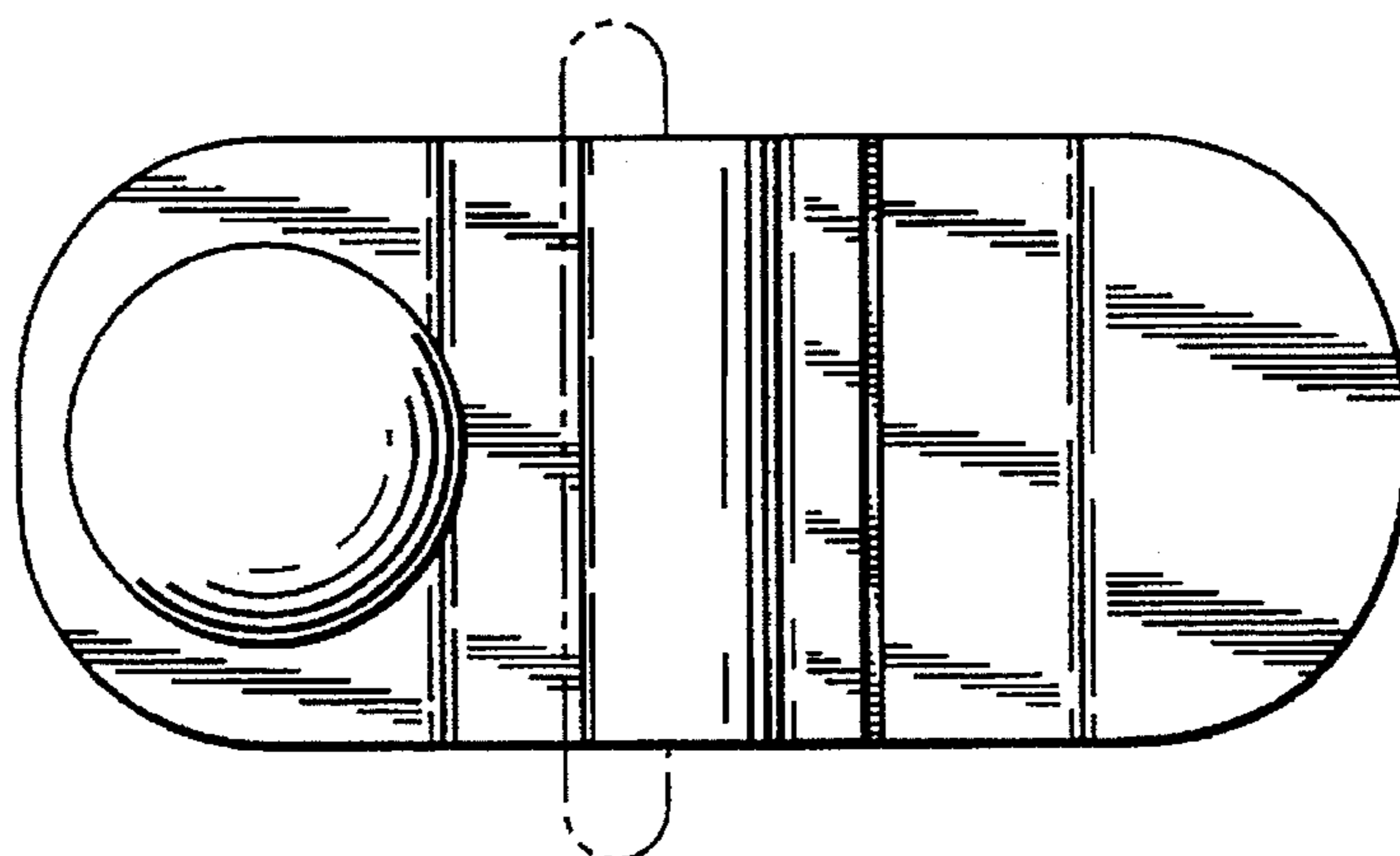


Fig. 4

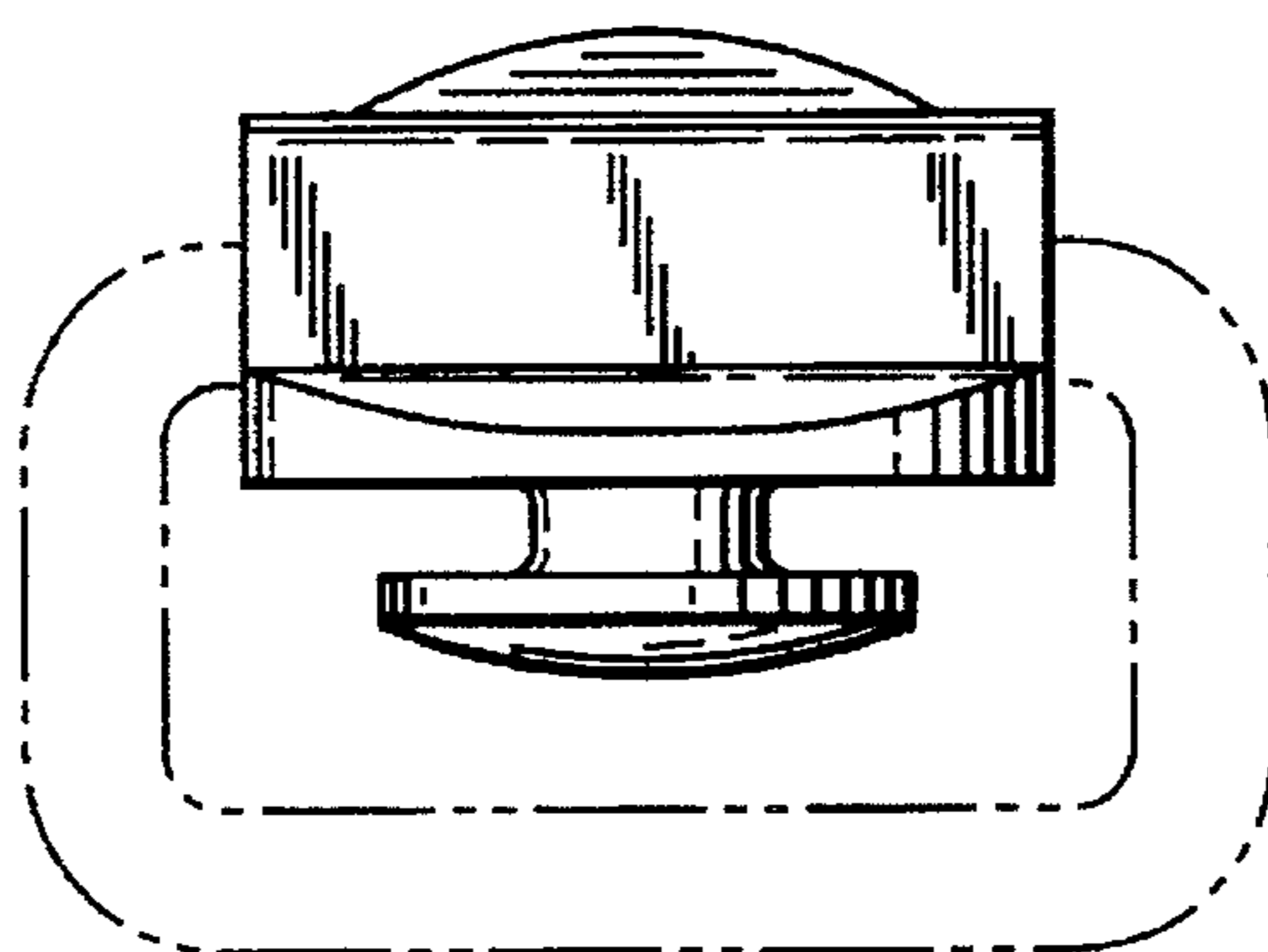


Fig. 5

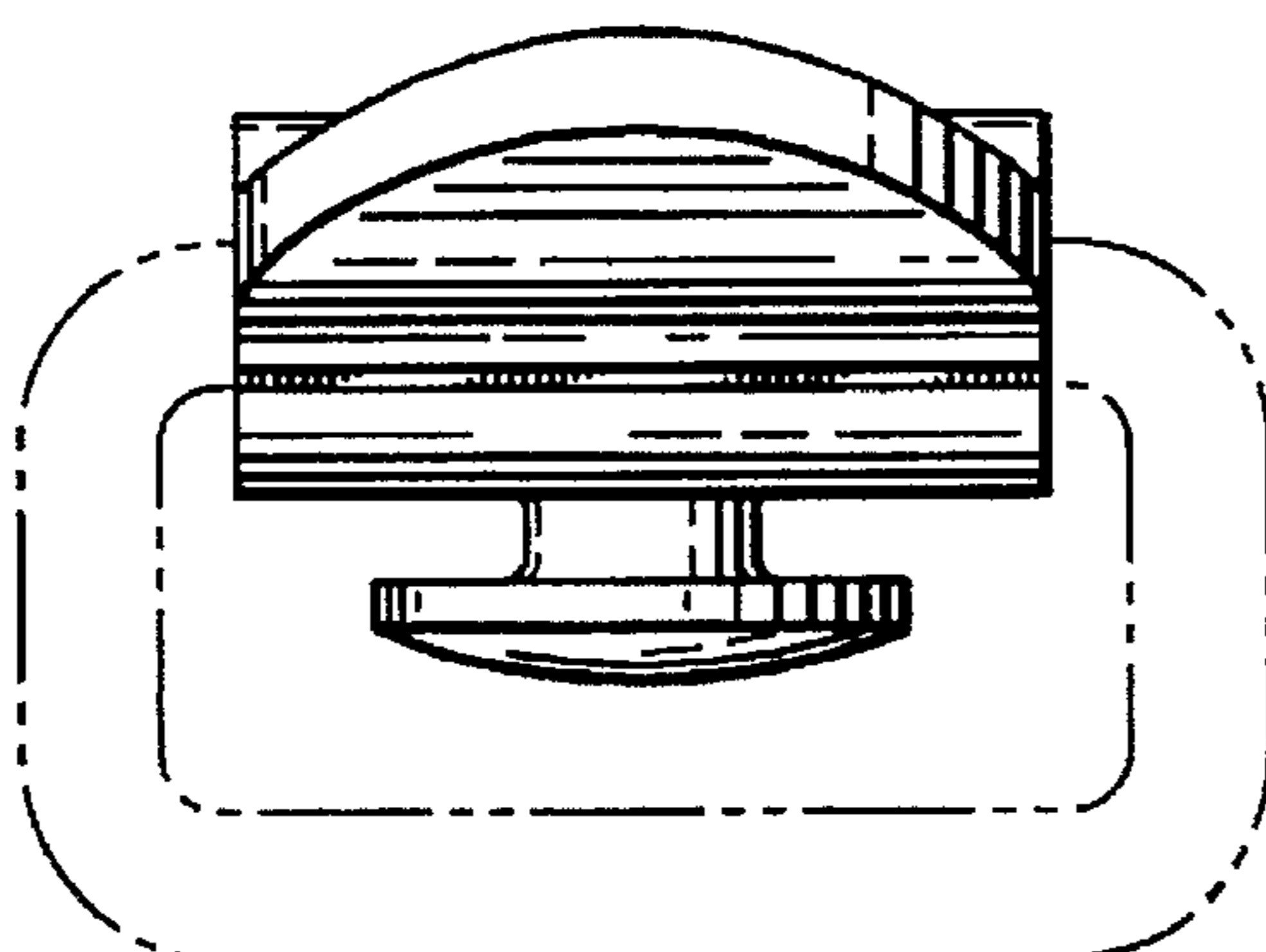


Fig. 6