



US00D379159S

United States Patent [19]
Jackson

[11] **Patent Number: Des. 379,159**
[45] **Date of Patent: **May 13, 1997**

[54] **REPLICA GOALIE MASK**

[76] **Inventor: Texas C. Jackson, Box 502, Killam, Alberta, Canada, T0B-2L0**

[**] **Term: 14 Years**

[21] **Appl. No.: 40,517**

[22] **Filed: Jun. 20, 1995**

[51] **LOC (6) Cl. 11-02**

[52] **U.S. Cl. D11/157; D29/111**

[58] **Field of Search D11/157, 131; D29/102, 105-108, 111; 2/9, 423, 424, 425, 411, 414**

[56] **References Cited**

U.S. PATENT DOCUMENTS

- D. 257,073 9/1980 Jenkins D29/106
- D. 355,393 2/1995 Bezener et al. D29/108
- D. 355,394 2/1995 Bezener et al. D29/111

- D. 358,232 5/1995 Hoshizaki et al. D29/106
- 5,101,517 4/1992 Douglas D29/106
- 5,129,108 7/1992 Copeland D29/106
- 5,353,437 10/1994 Field et al. D29/106
- 5,392,468 2/1995 Leddick, III D29/106

Primary Examiner—Ruth McInroy

[57] **CLAIM**

The ornamental design for a replica goalie mask, as shown and described.

DESCRIPTION

FIG. 1 is a front elevational view of a replica goalie mask showing my new design;
FIG. 2 is a rear elevational view thereof;
FIG. 3 is a left side elevational view thereof;
FIG. 4 is a right side elevational view thereof;
FIG. 5 is a top plan view thereof; and,
FIG. 6 is a bottom plan view thereof.

1 Claim, 3 Drawing Sheets

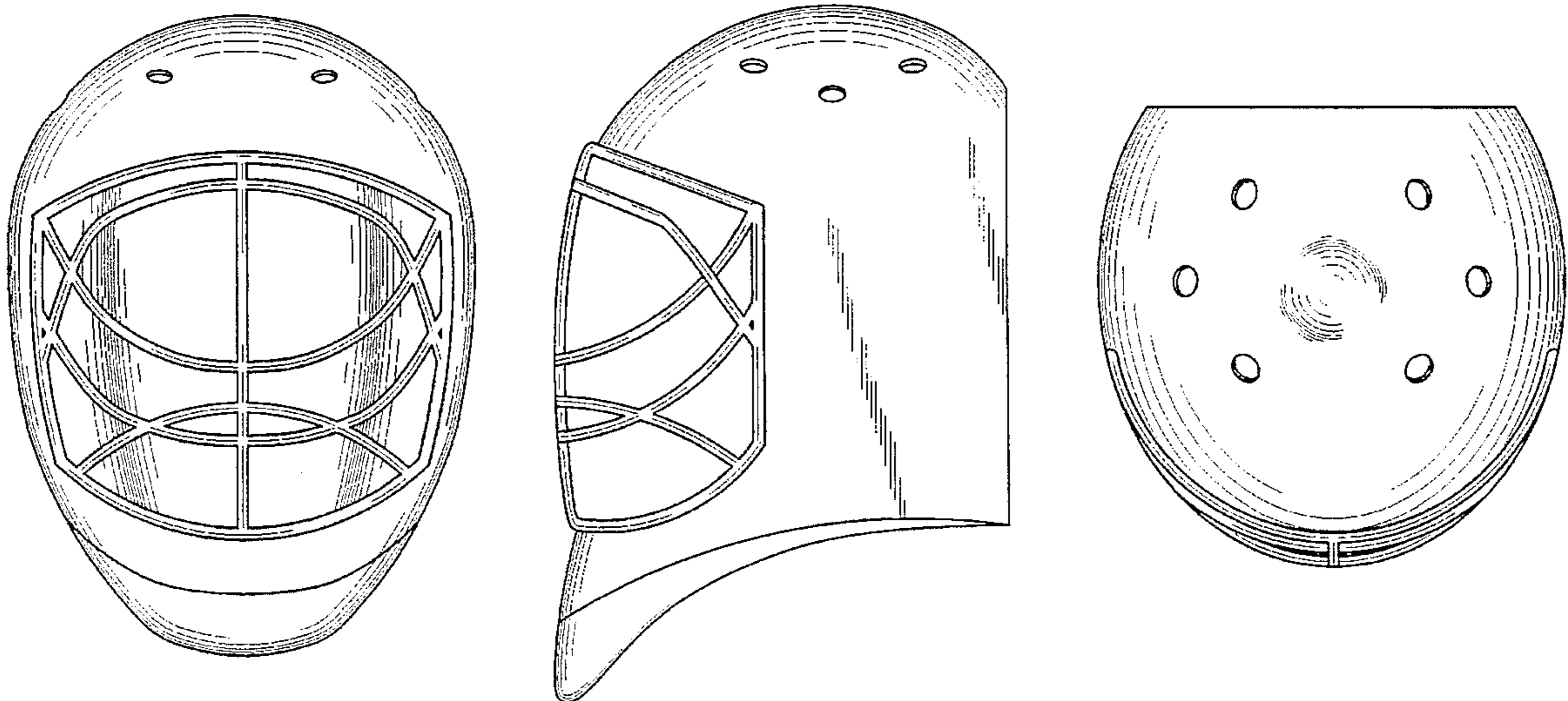


FIG. 1

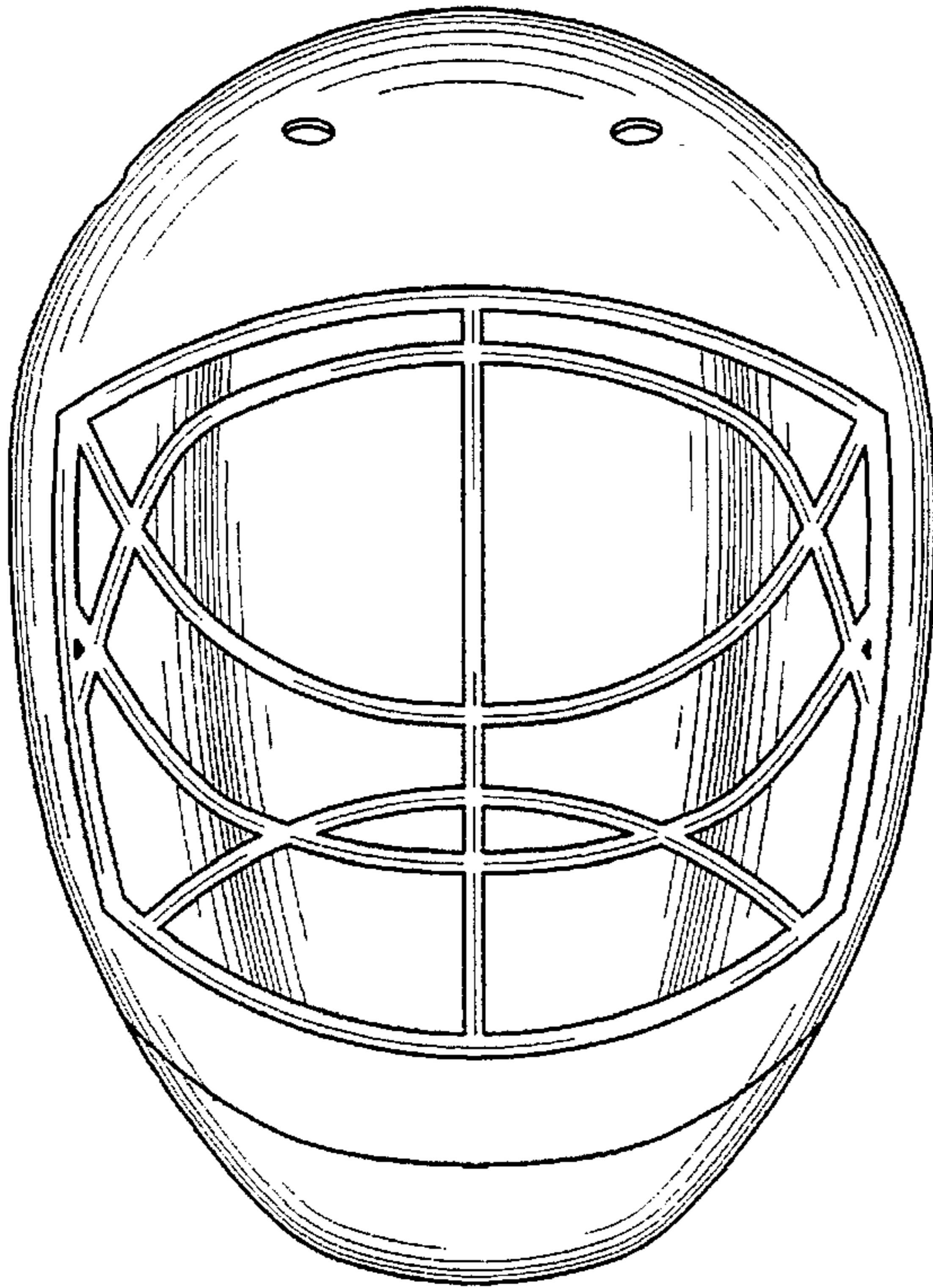


FIG. 2

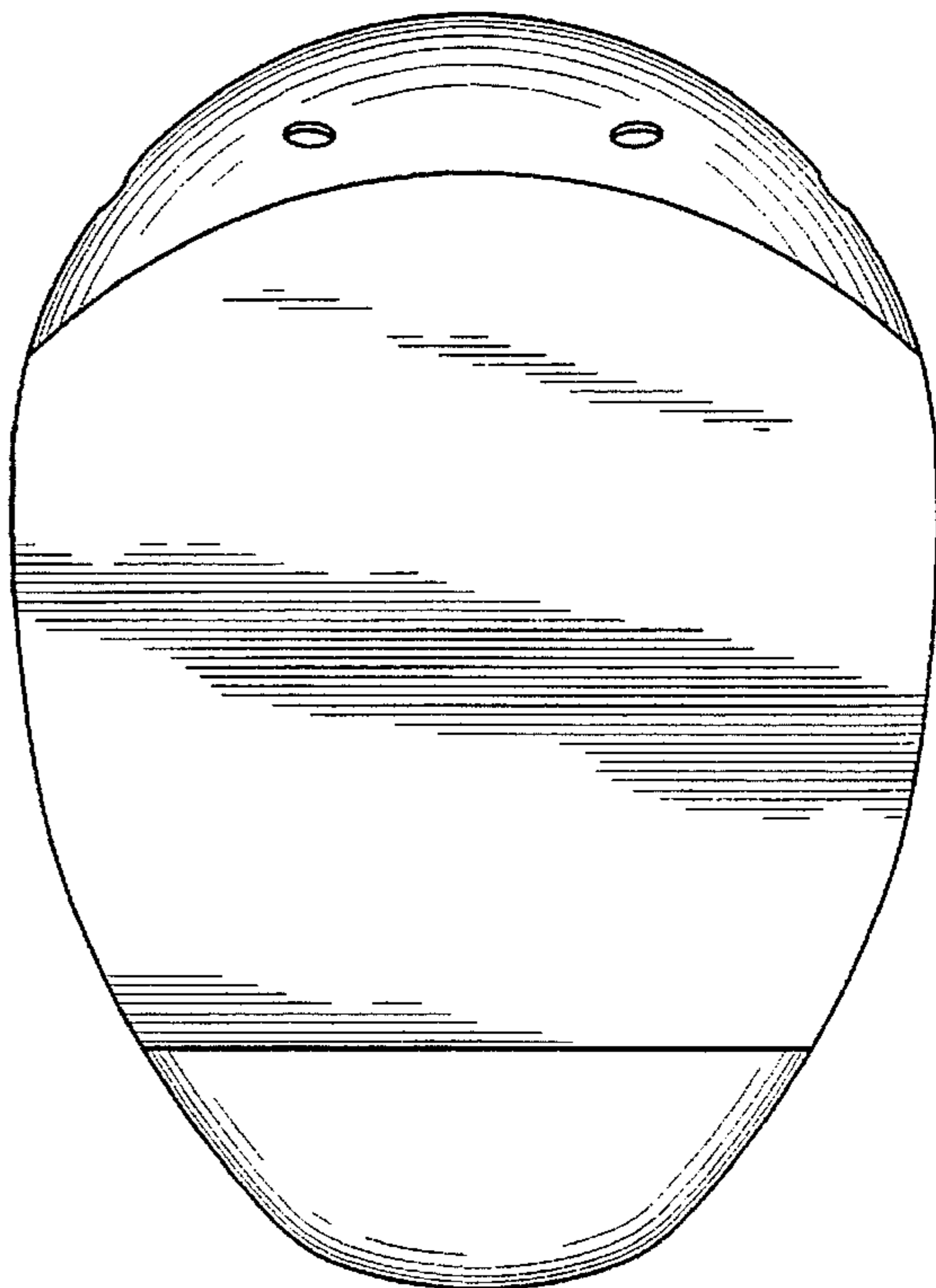


FIG. 3

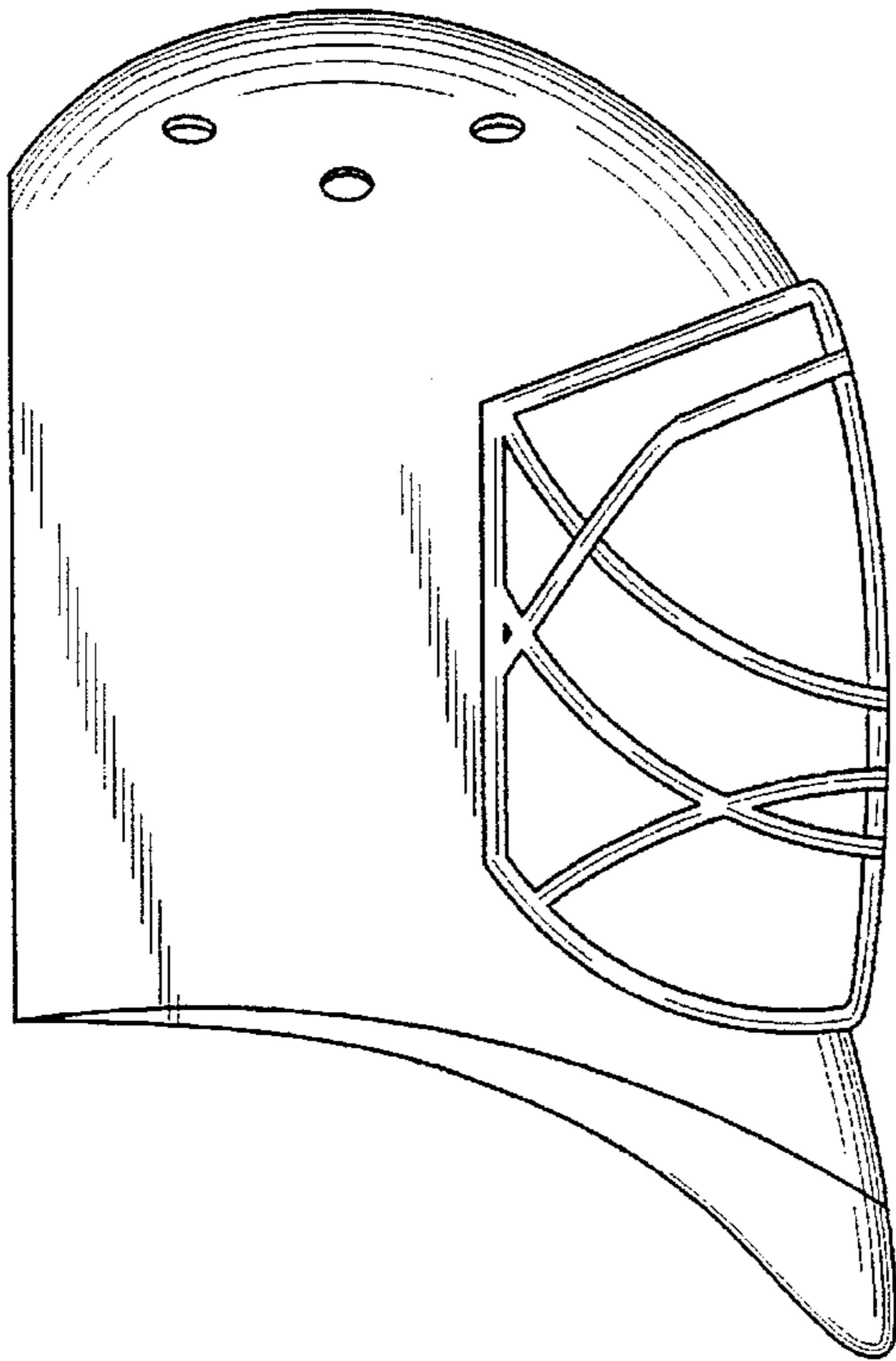


FIG. 4

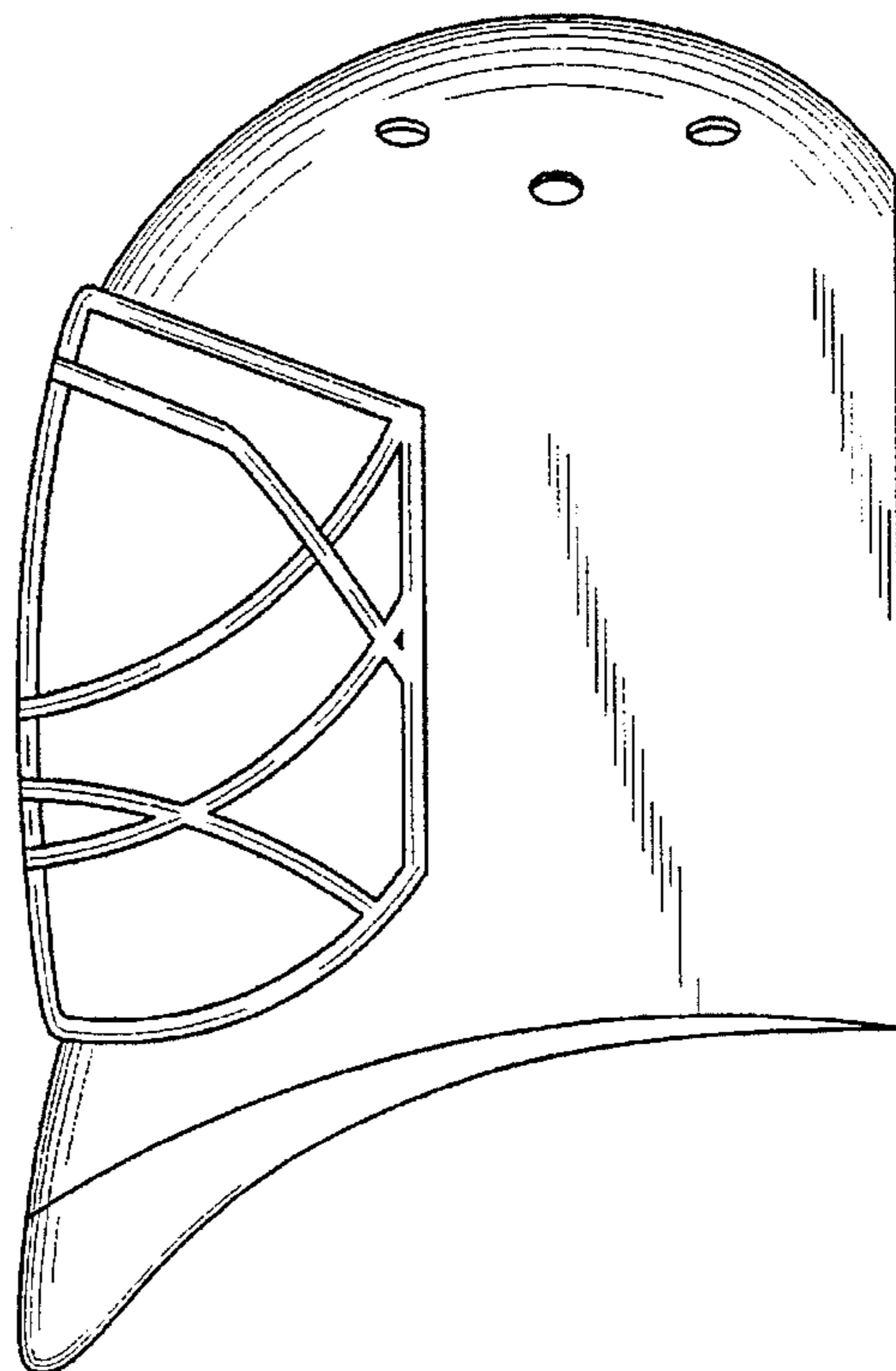


FIG. 5

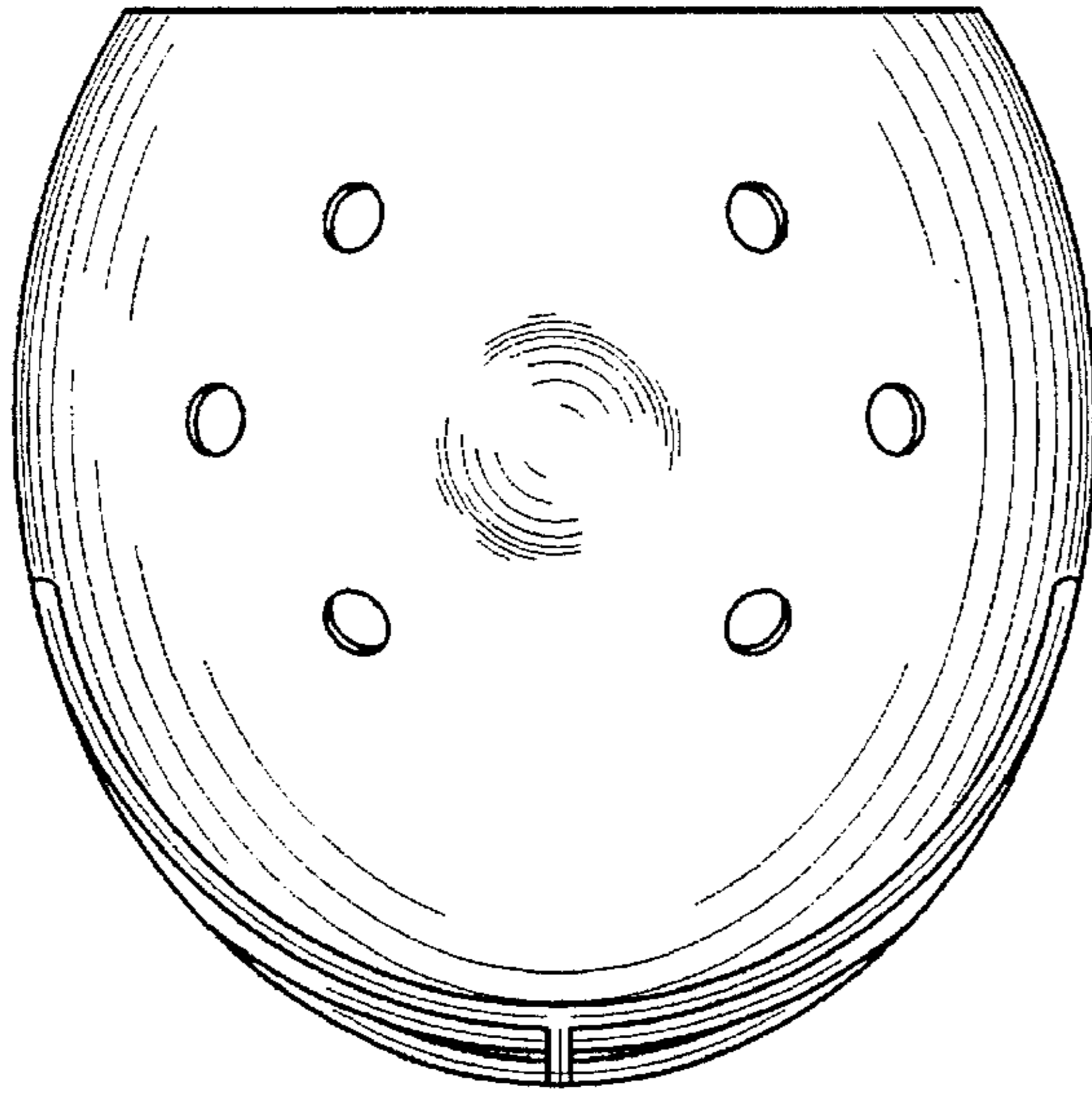


FIG. 6

