



US00D379157S

United States Patent [19]
Hess

[11] **Patent Number:** **Des. 379,157**
[45] **Date of Patent:** ****May 13, 1997**

[54] **PORTABLE ALARM**

[75] Inventor: **Brian K. Hess**, Westerville, Ohio

[73] Assignee: **Tattletale Portable Alarm, Inc.**,
Columbus, Ohio

[**] Term: **14 Years**

[21] Appl. No.: **53,029**

[22] Filed: **Apr. 10, 1996**

[51] **LOC (6) Cl.** **10-05**

[52] **U.S. Cl.** **D10/106**

[58] **Field of Search** D10/104-121;
340/540-547, 551, 552, 555, 556, 565,
566, 571, 572, 573, 584, 586

[56] **References Cited**

U.S. PATENT DOCUMENTS

- D. 275,375 9/1984 Schwartz D10/106
- D. 291,975 9/1987 Ching-Hua D10/106

D. 311,349 10/1990 Walsh D10/106

Primary Examiner—Marcus A. Jackson
Attorney, Agent, or Firm—Standley & Gilcrest

[57] **CLAIM**

The ornamental design for a portable alarm, as shown and described.

DESCRIPTION

FIG. 1 is a front perspective view of a portable alarm system of the present invention;

FIG. 2 is a left side elevational view of a portable alarm system of FIG. 1;

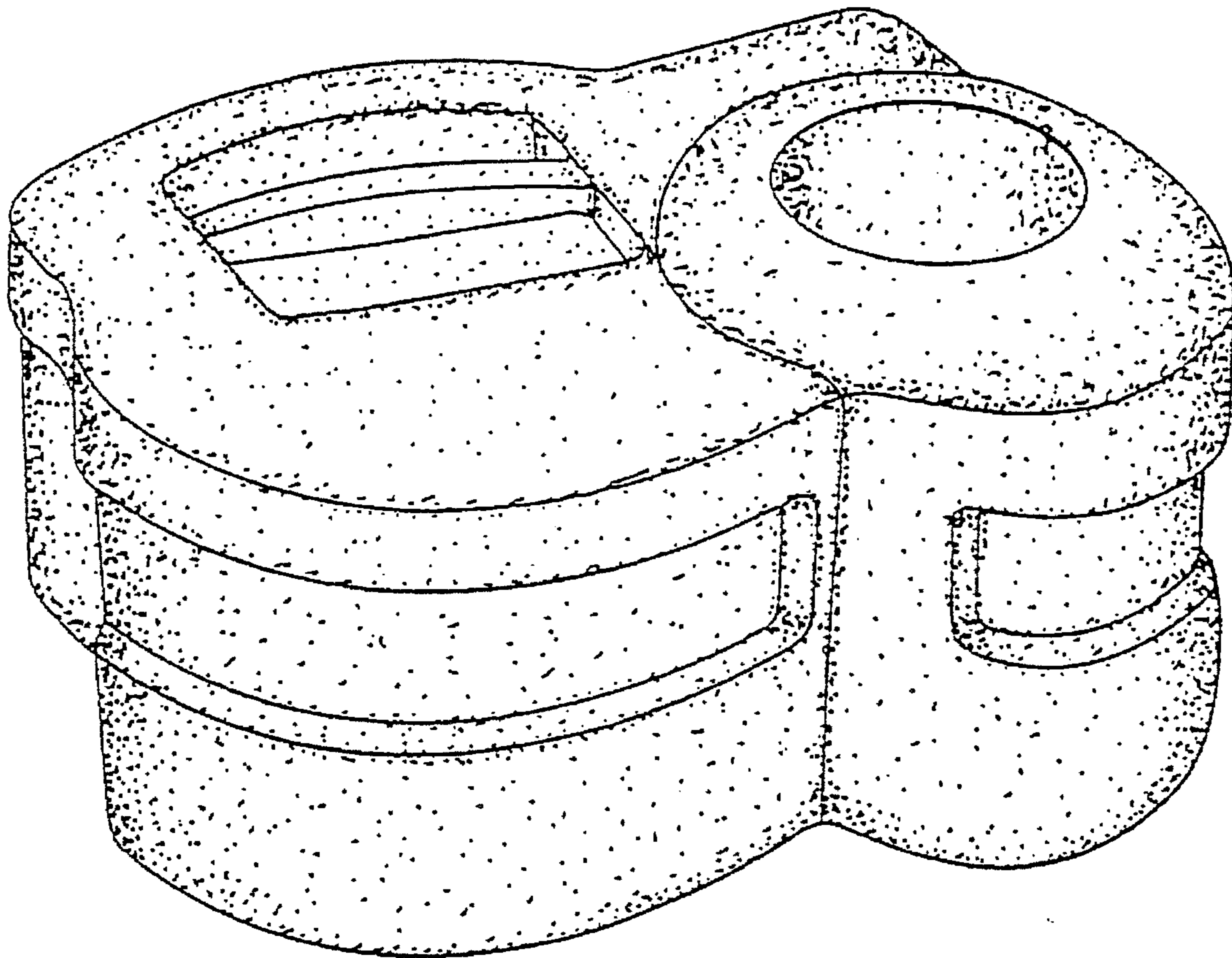
FIG. 3 is a back perspective view of a portable alarm system of FIG. 1;

FIG. 4 is a right side elevational view of a portable alarm system of FIG. 1;

FIG. 5 is another back perspective view of a portable alarm system of FIG. 1; and,

FIG. 6 is a bottom view of a portable alarm system.

1 Claim, 3 Drawing Sheets



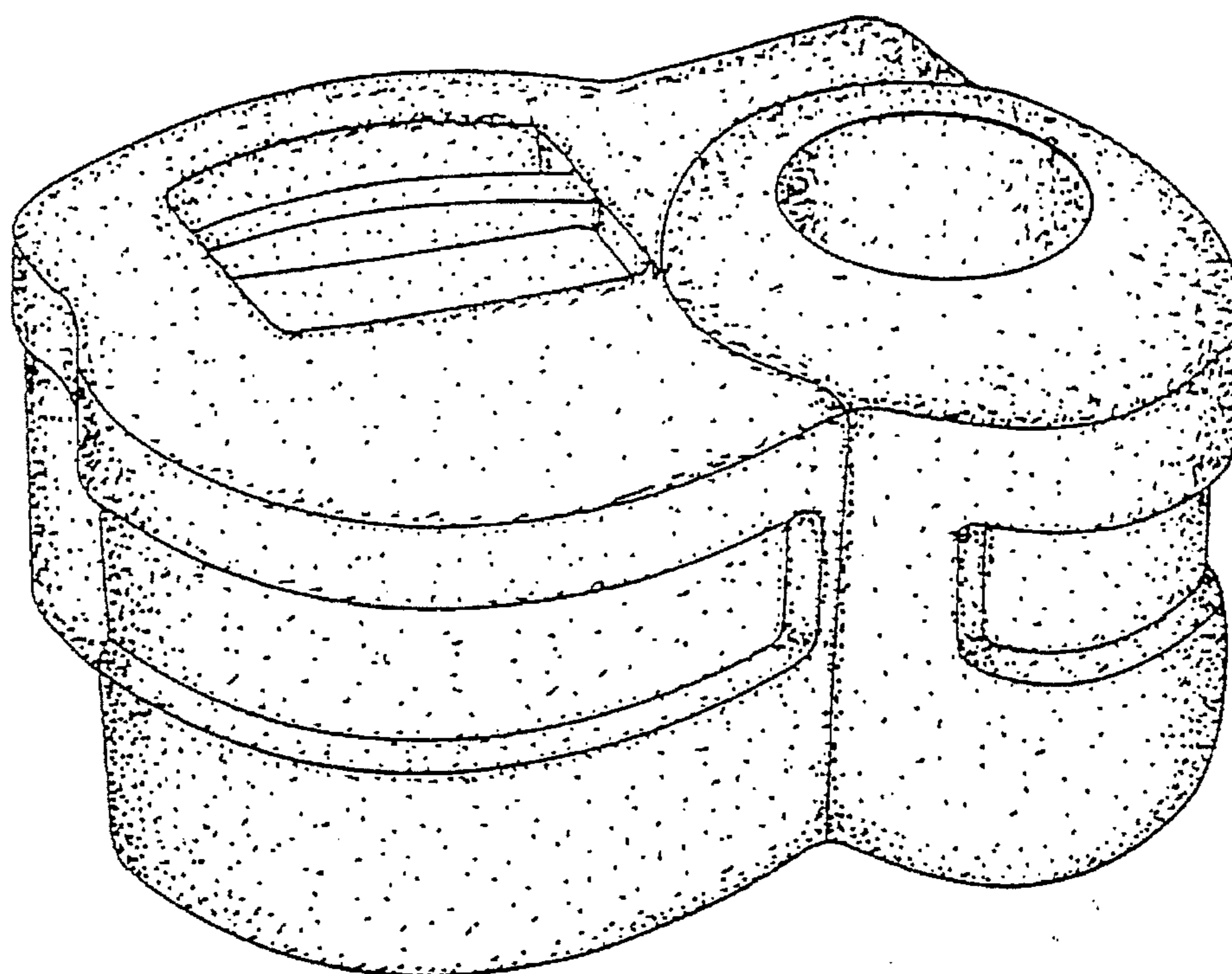


Fig. 1

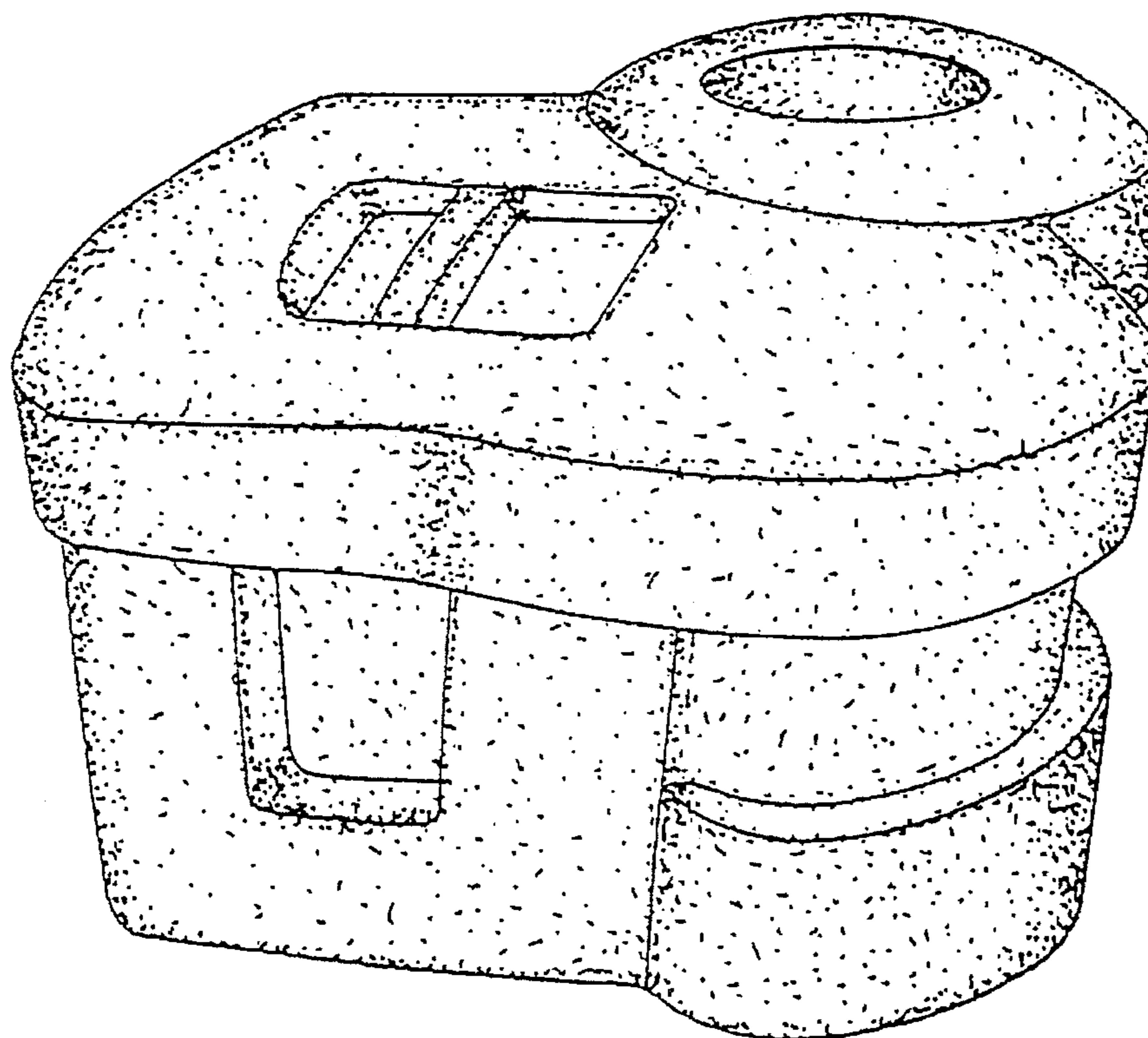


Fig. 2

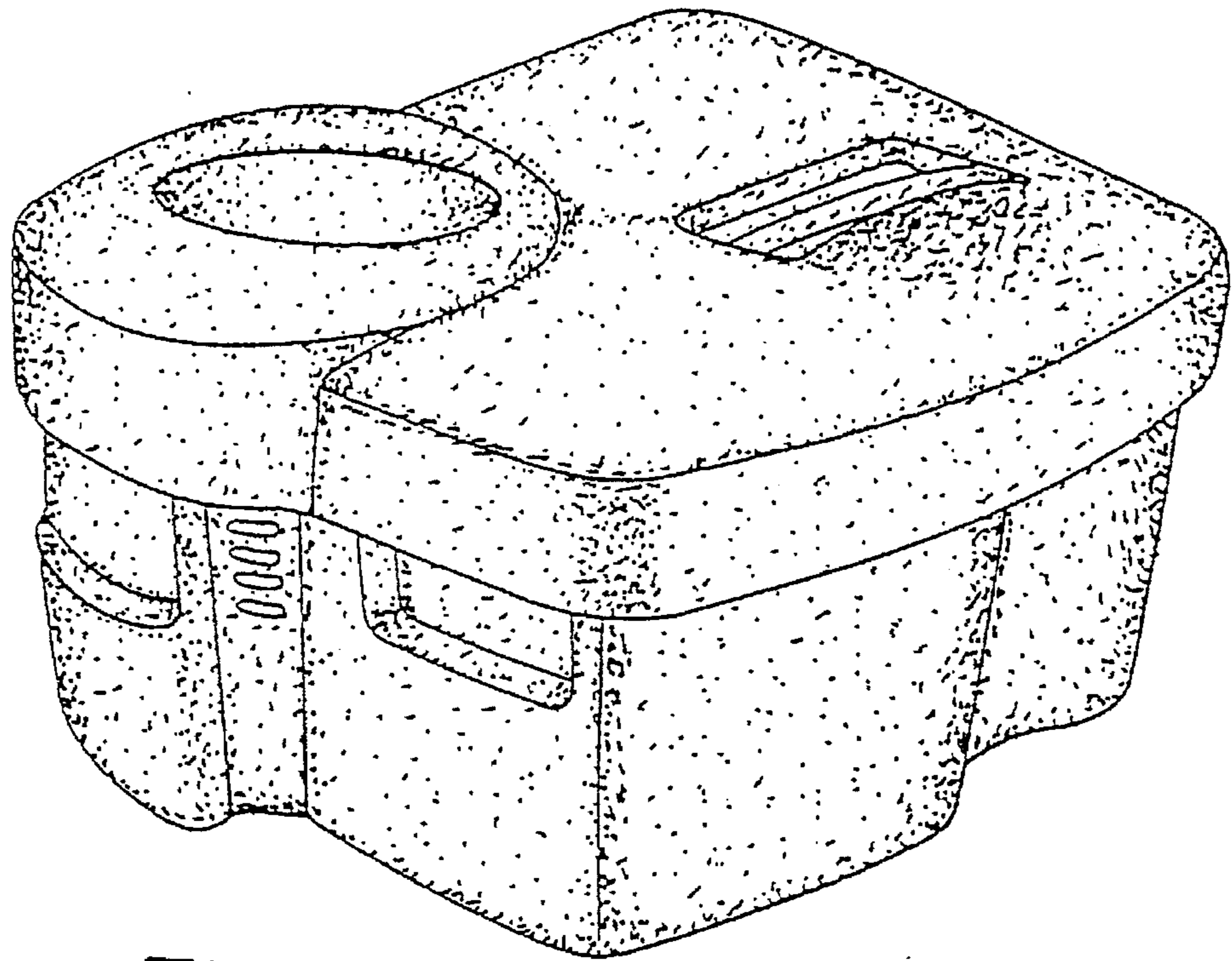


Fig. 3

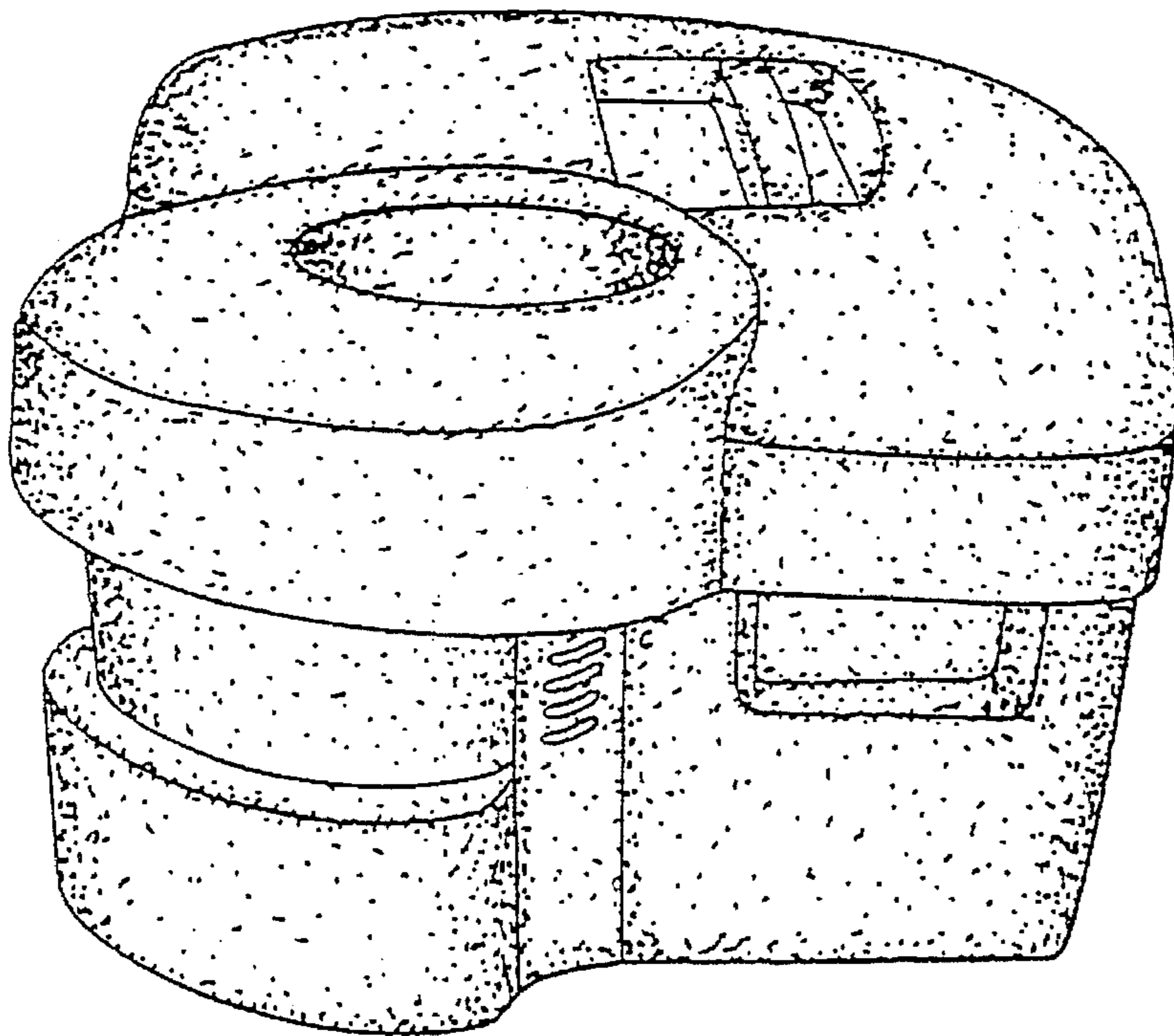


Fig. 4

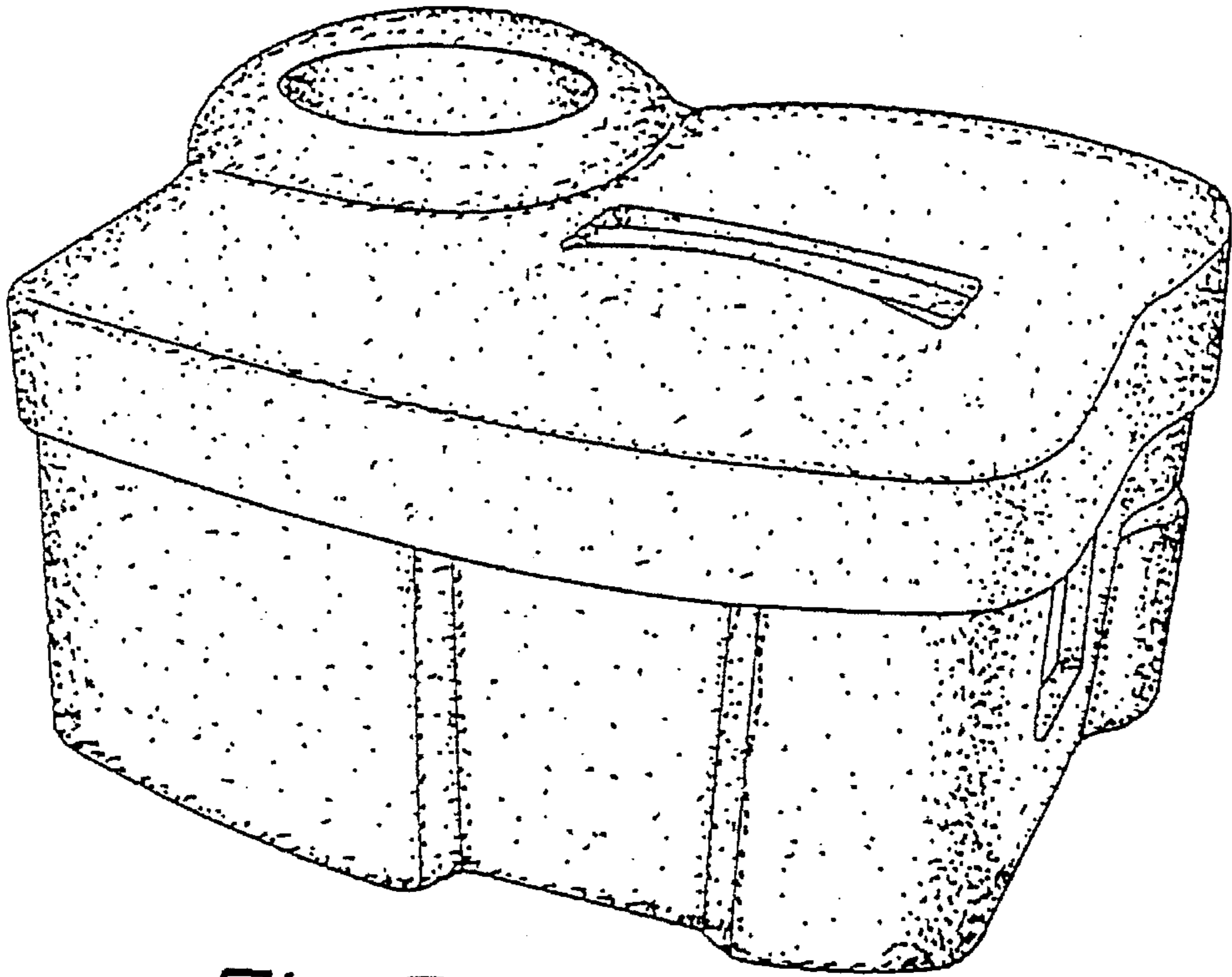


Fig. 5

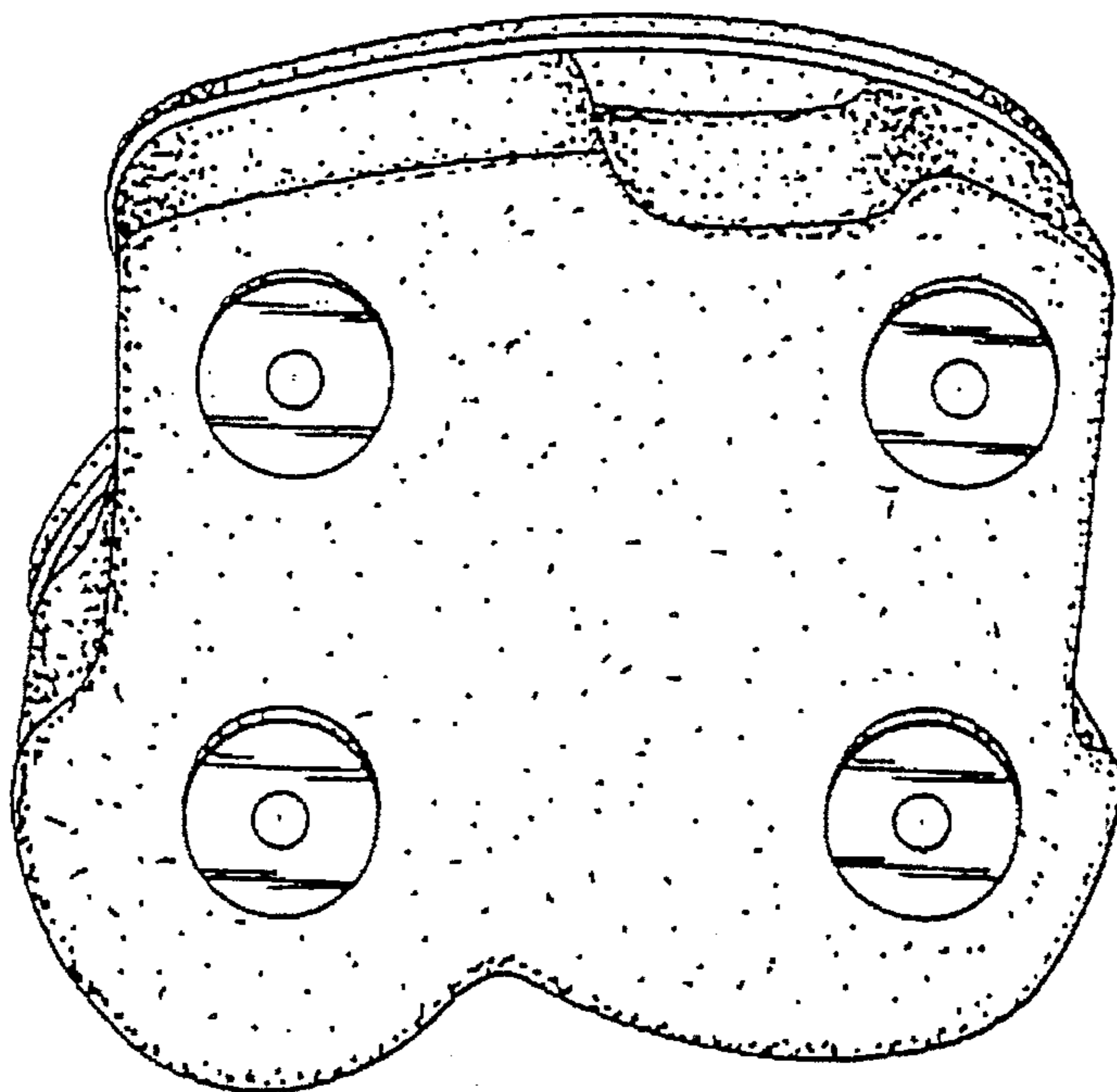


Fig. 6