



US00D379156S

United States Patent [19]

Hochstetler et al.

[11] Patent Number: **Des. 379,156**

[45] Date of Patent: ****May 13, 1997**

[54] **BRICK SPACER SCALE WITH
RETRACTIBLE MEASURING ELEMENT**

5,191,718 3/1993 Fox 33/526
5,395,069 3/1995 Chen 242/381.3

[76] Inventors: **Gerald Hochstetler; Marlene Hochstetler**, both of R.R. #4 Box 175, Salem, Ind. 47167

OTHER PUBLICATIONS

Hardware Age; bottom-left Roe Tape Measure; Dec. 1971; p. 7.

[**] Term: **14 Years**

Primary Examiner—Antoine Duval Davis
Attorney, Agent, or Firm—John D. Gugliotta

[21] Appl. No.: **47,696**

[57] CLAIM

[22] Filed: **Dec. 11, 1995**

The ornamental design for a brick spacer scale with retractible measuring element, as shown and described.

[51] LOC (6) Cl. **10-01**

[52] U.S. Cl. **D10/72**

[58] Field of Search D10/72; 33/755-770;
242/381.1-381.6

DESCRIPTION

FIG. 1 is a perspective view of a brick spacer scale with retractible measuring element showing our new design; FIG. 2 is a top plan view thereof, showing in detail the graduation on the measuring element thereof; FIG. 3 is a detailed sectional front elevational view thereof; FIG. 4 is a detailed sectional back elevational view thereof; FIG. 5 is a left side elevational view thereof; FIG. 6 is a right side elevational view thereof; FIG. 7 is a left side elevational view thereof; and, FIG. 8 is a right side elevational view thereof.

[56] References Cited

U.S. PATENT DOCUMENTS

D. 216,534	2/1970	Zelnick et al.	D10/72
3,501,877	3/1970	White	52/127
4,149,320	4/1979	Troyer et al.	33/758
4,205,448	6/1980	Asai	33/767
4,277,927	7/1981	Richter	52/749
4,296,554	10/1981	Hammerstrom	33/760
4,765,116	8/1988	Shank	52/747

1 Claim, 2 Drawing Sheets

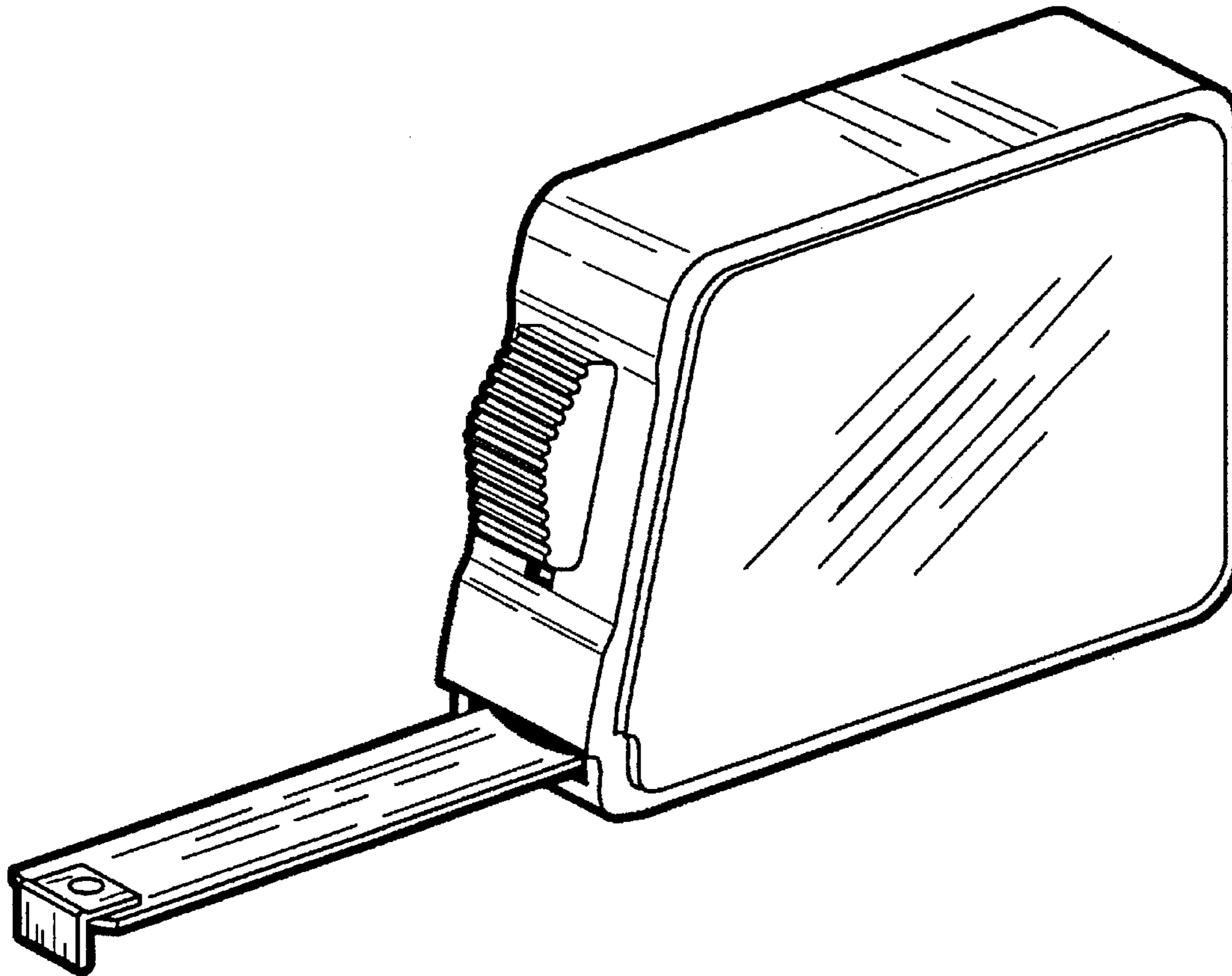


FIG.1

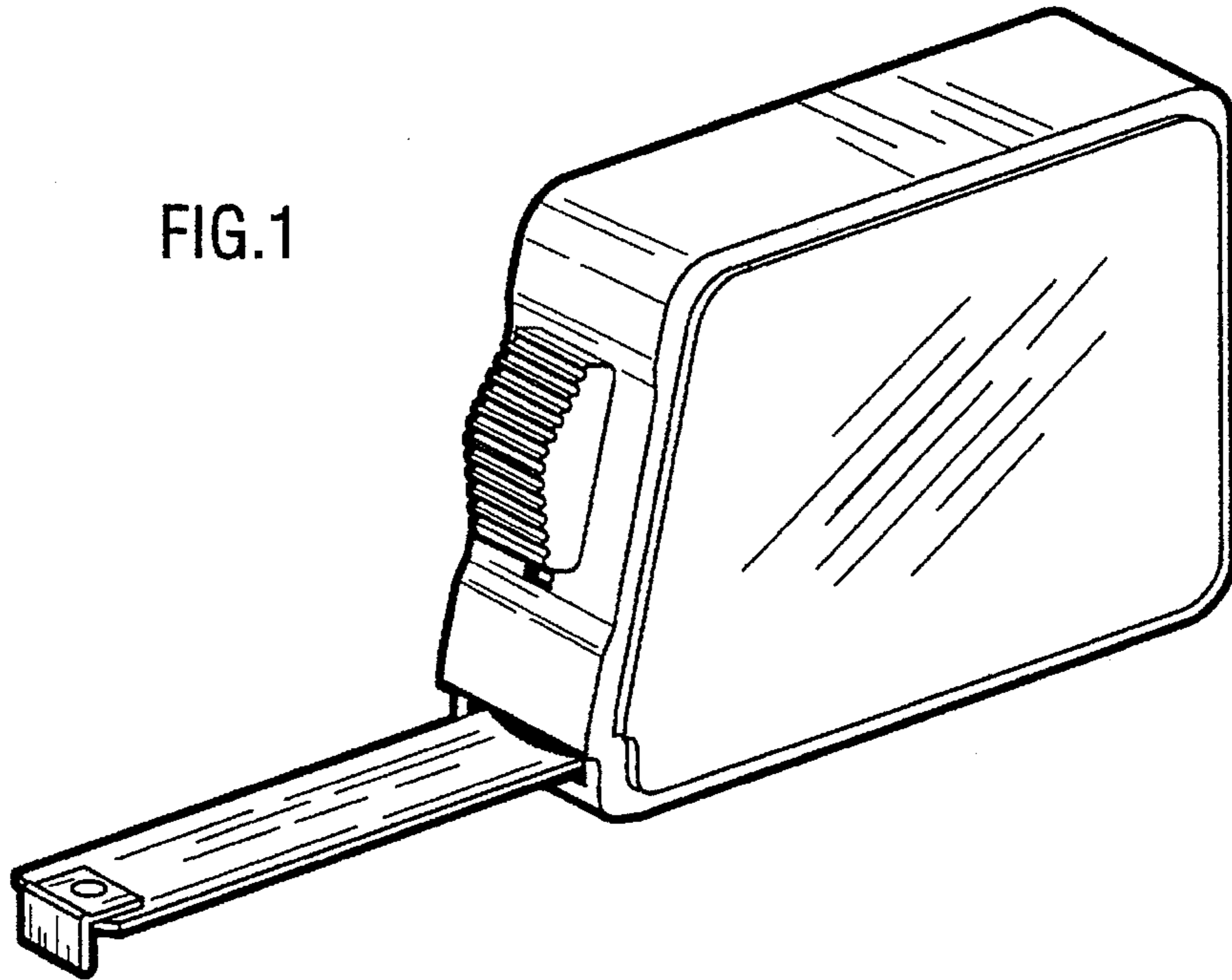


FIG.2

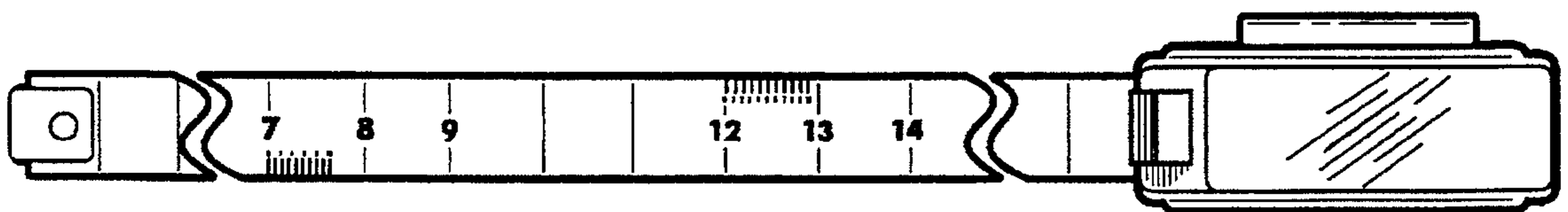


FIG.3

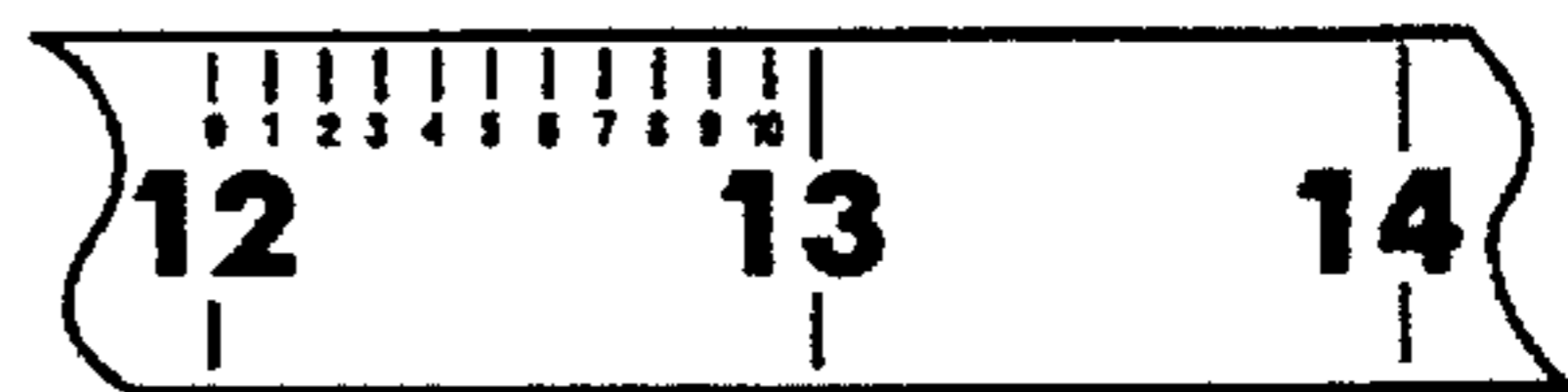


FIG.4

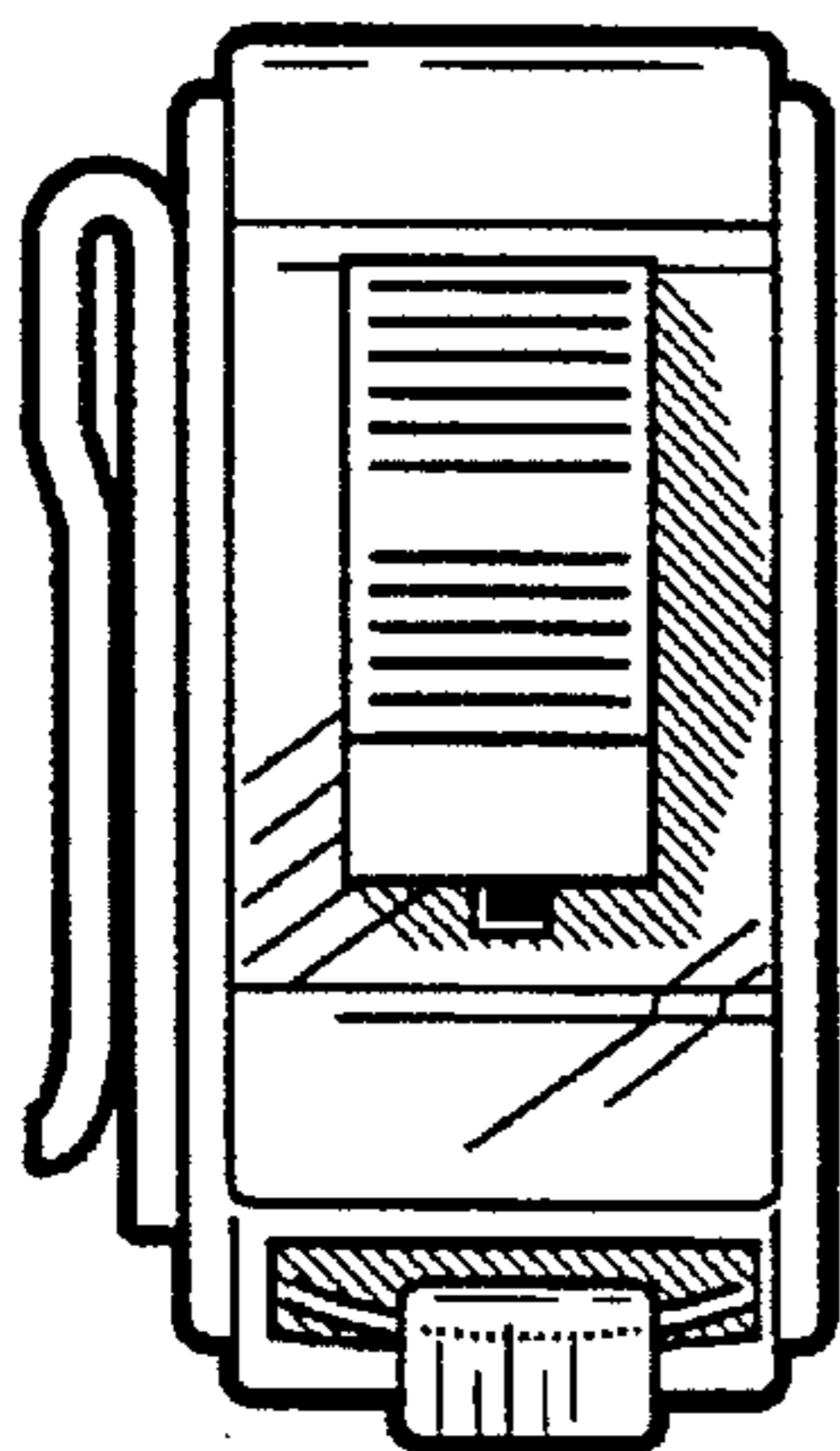


FIG. 5

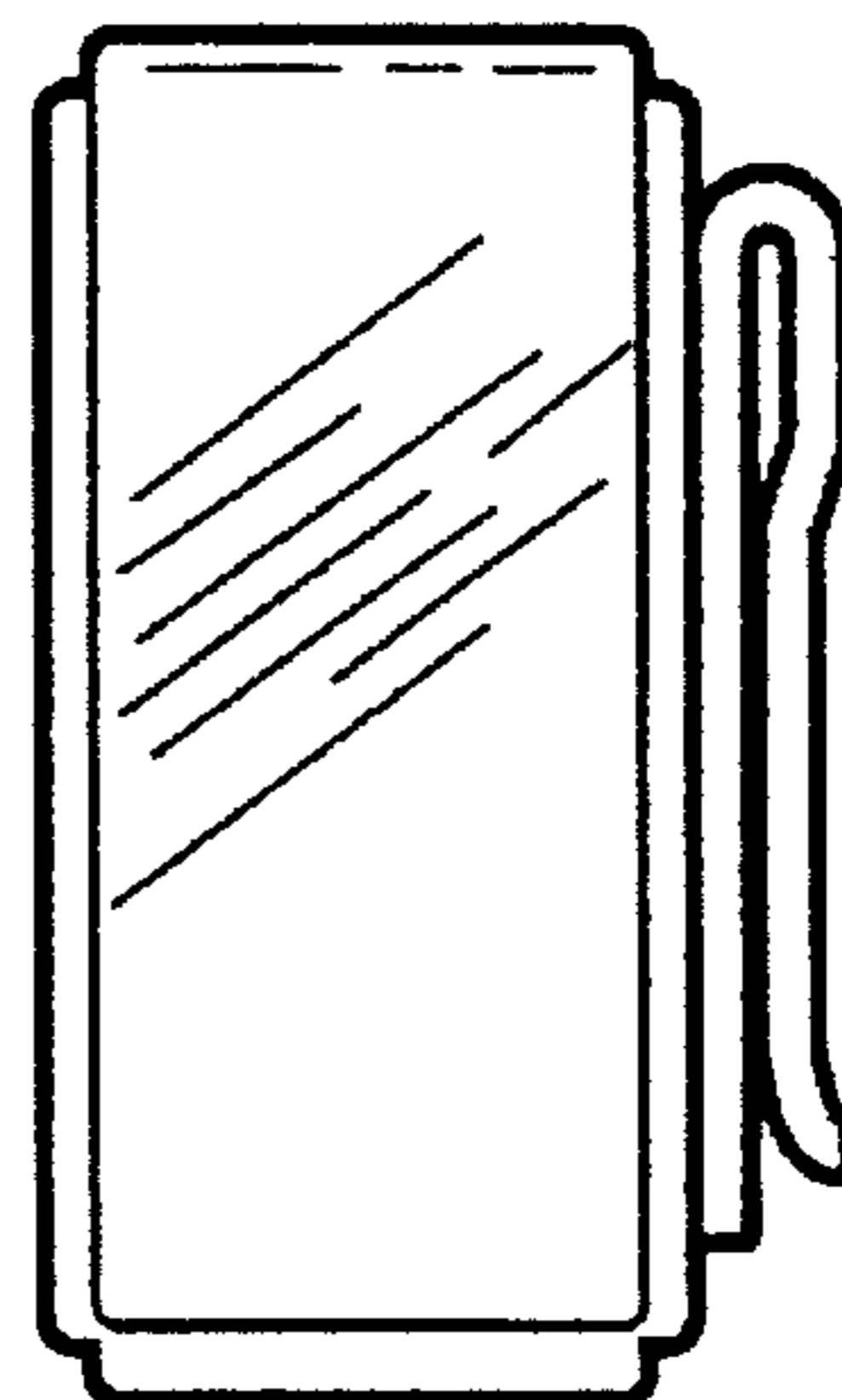


FIG. 6

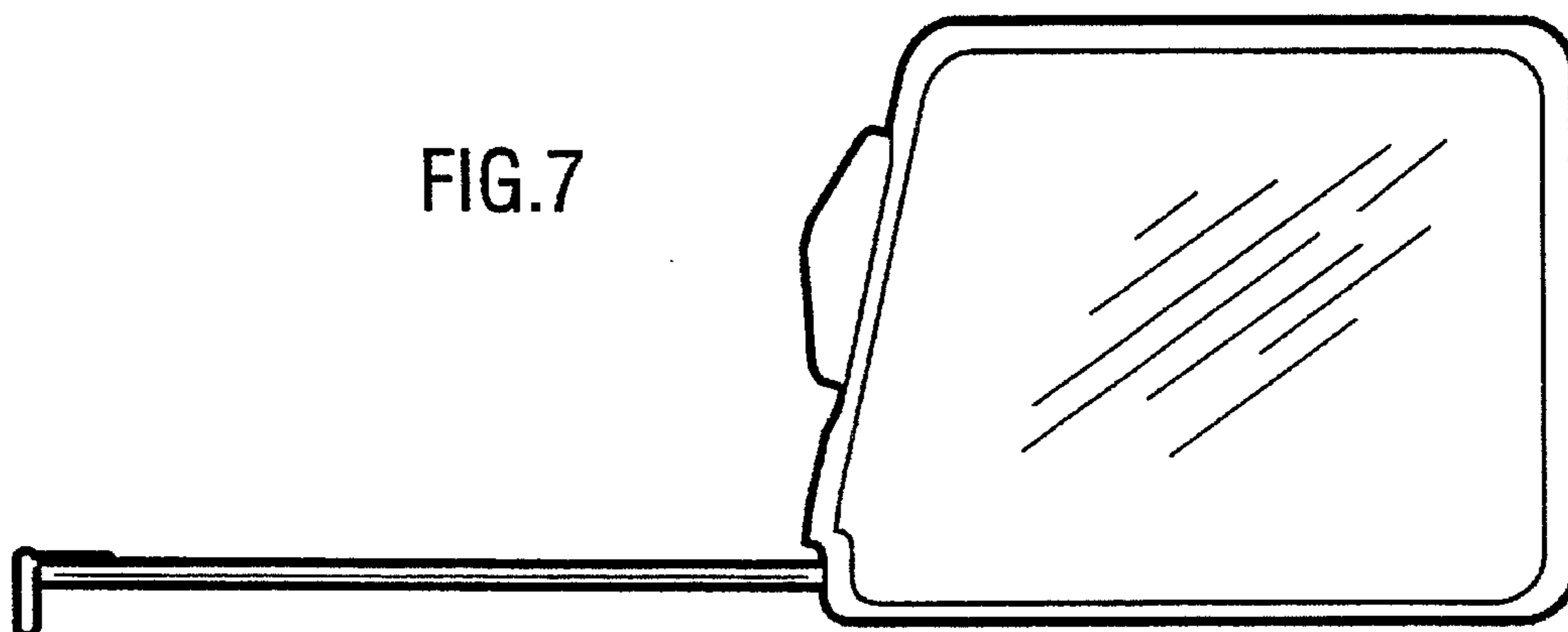


FIG. 7

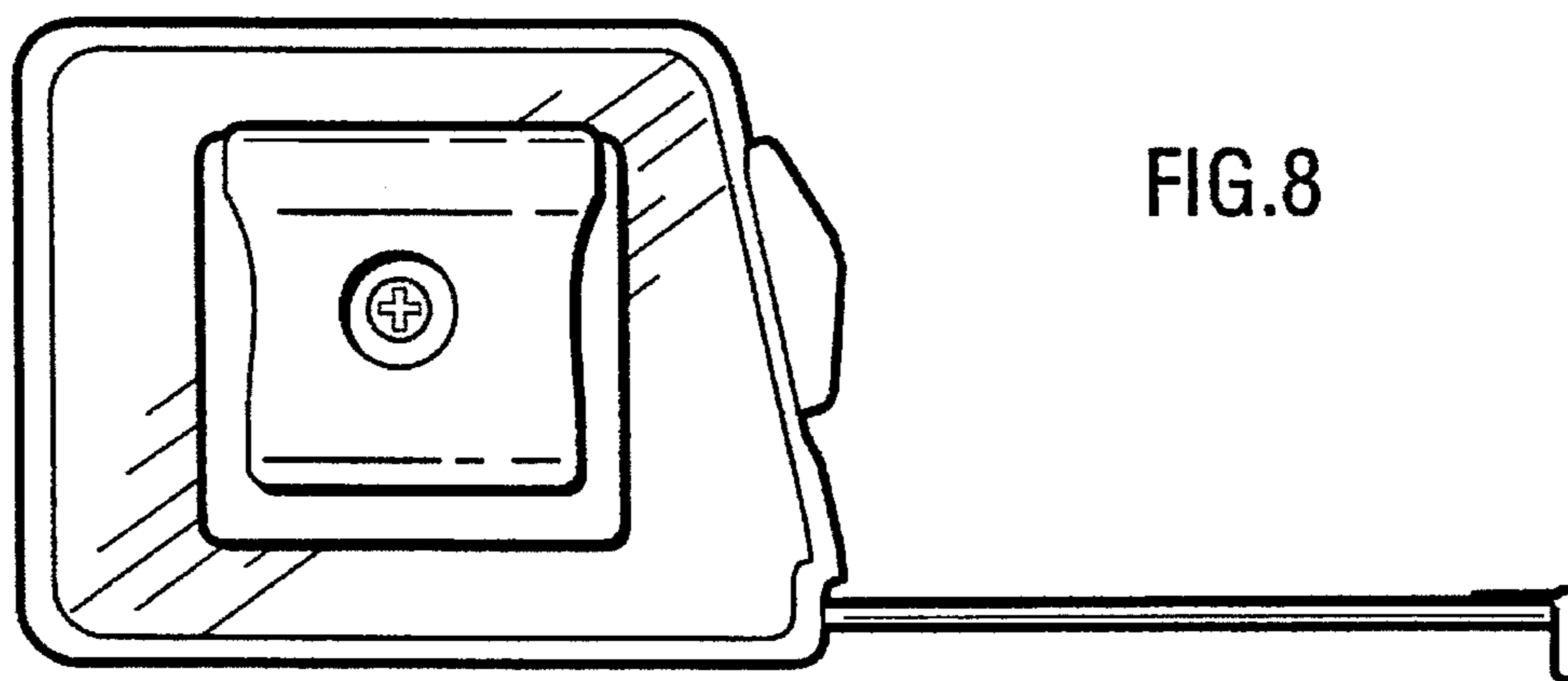


FIG. 8