



US00D379151S

**United States Patent** [19]  
**Stevens**

[11] **Patent Number: Des. 379,151**  
[45] **Date of Patent: \*\*May 13, 1997**

[54] **COMBINED BOTTLE AND CAP**  
[75] **Inventor: John D. Stevens, Seattle, Wash.**  
[73] **Assignee: Talking Rain Beverage Co., Inc.,  
Preston, Wash.**  
[\*\*] **Term: 14 Years**  
[21] **Appl. No.: 53,976**  
[22] **Filed: May 2, 1996**  
[51] **LOC (6) Cl. .... 09-01**  
[52] **U.S. Cl. .... D9/503; D9/538**  
[58] **Field of Search ..... D9/500, 502, 503,  
D9/504, 505, 537-541, 545, 557; 215/383,  
382, 384, 400**

D. 245,068 7/1977 Ruriani ..... D9/541 X  
D. 275,649 9/1984 Shortino et al. .... D9/500  
D. 299,115 12/1988 Wetherell, Jr. .... D9/500  
D. 315,678 3/1991 Darr ..... D9/538  
D. 322,562 12/1991 Narsutis ..... D9/538  
D. 346,556 5/1994 Sirico et al. .... D9/538

*Primary Examiner*—Lucy Lieberman  
*Attorney, Agent, or Firm*—Christensen O'Connor Johnson  
& Kindness PLLC

[57] **CLAIM**

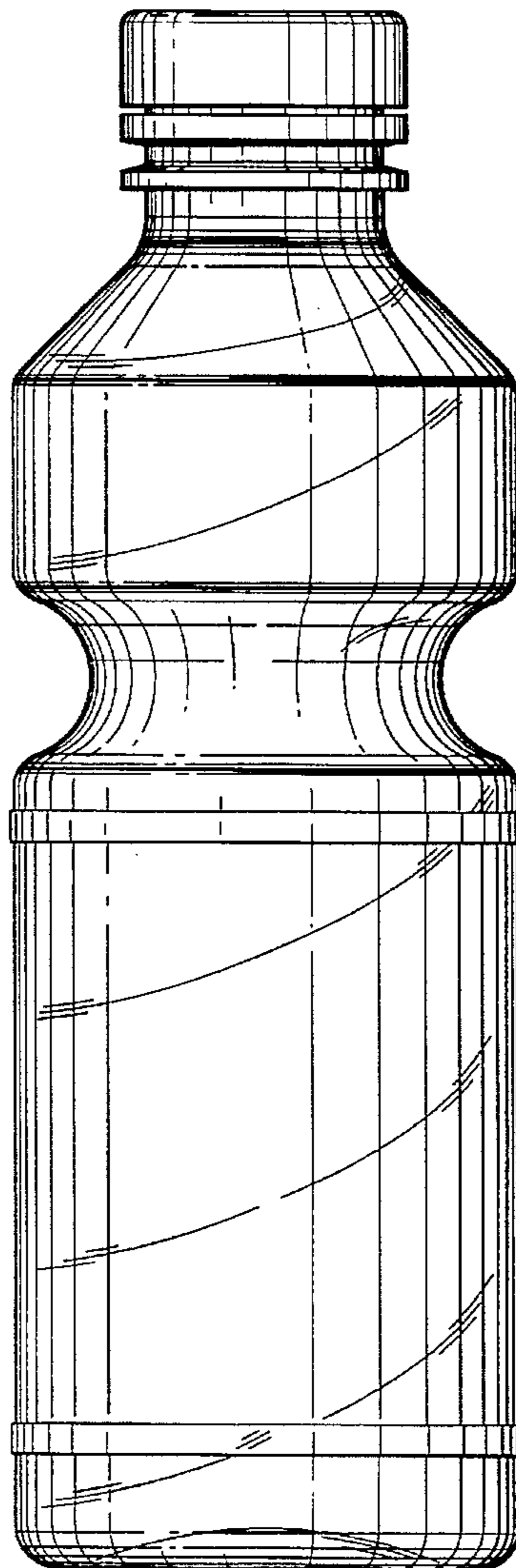
The ornamental design for a combined bottle and cap, as shown and described.

**DESCRIPTION**

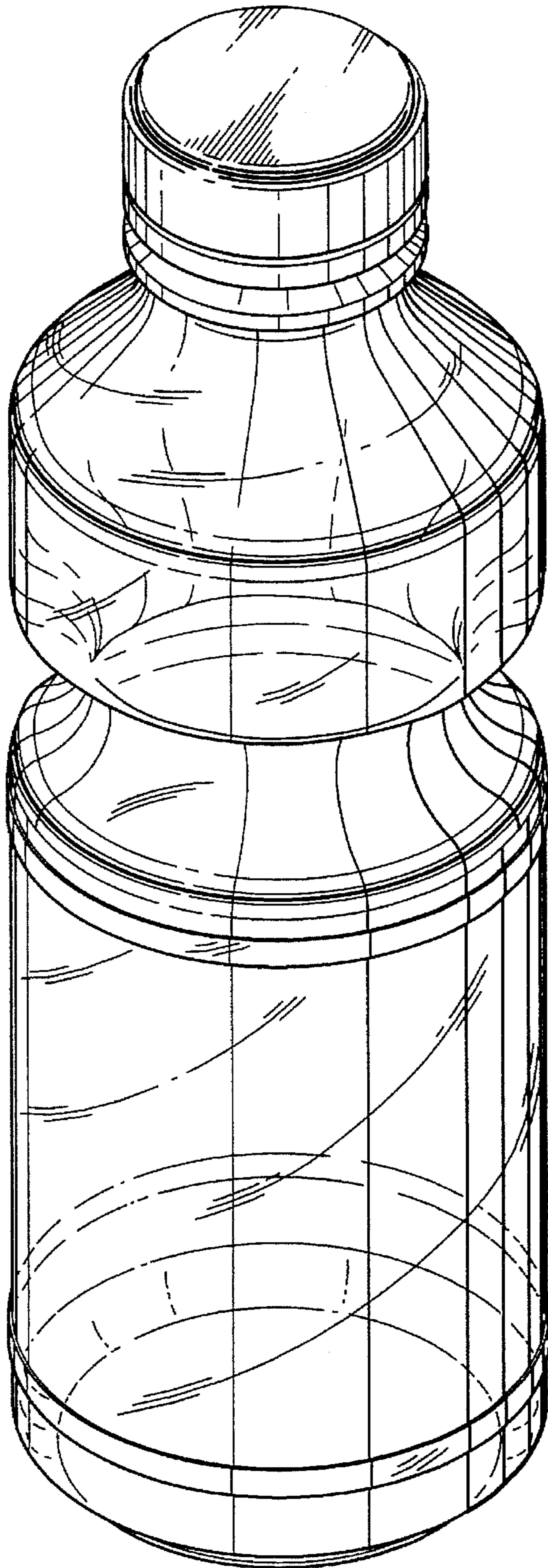
FIG. 1 is a perspective view of a combined bottle and cap showing my new bottle design;  
FIG. 2 is a front elevation thereof, the rear and side elevations are the same;  
FIG. 3 is a top view thereof; and,  
FIG. 4 is a bottom view thereof.

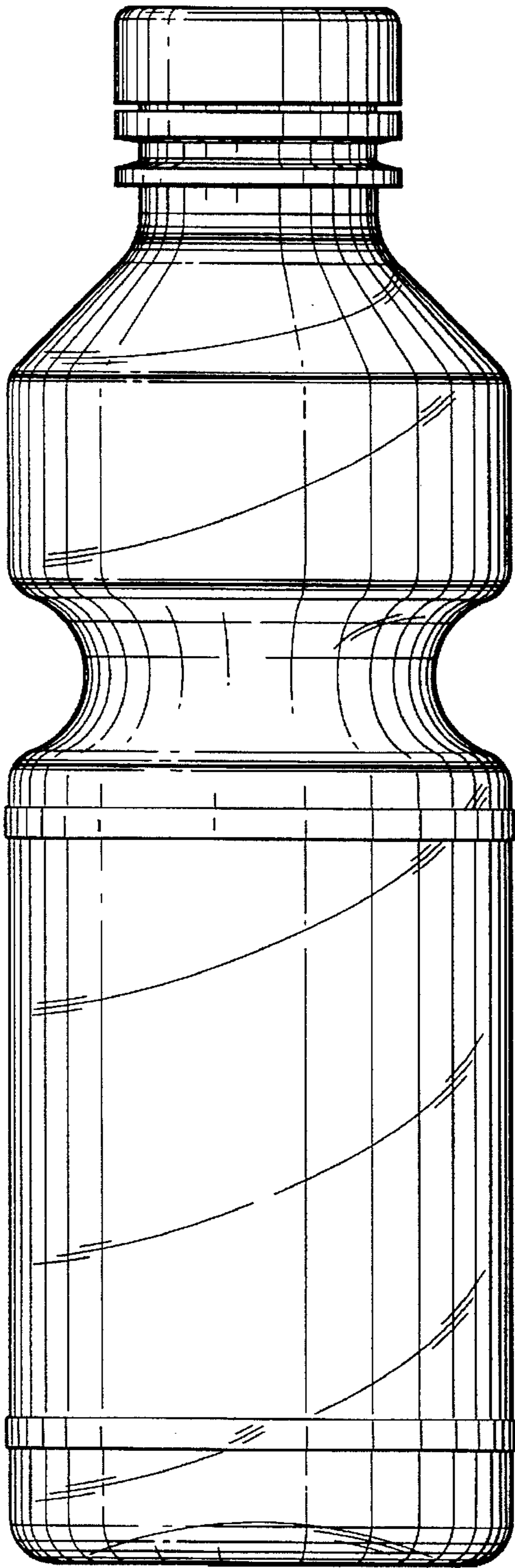
[56] **References Cited**  
**U.S. PATENT DOCUMENTS**  
D. 214,423 6/1969 Linn, Jr. .... D9/538  
D. 234,292 2/1975 Plummer ..... D9/500

**1 Claim, 2 Drawing Sheets**

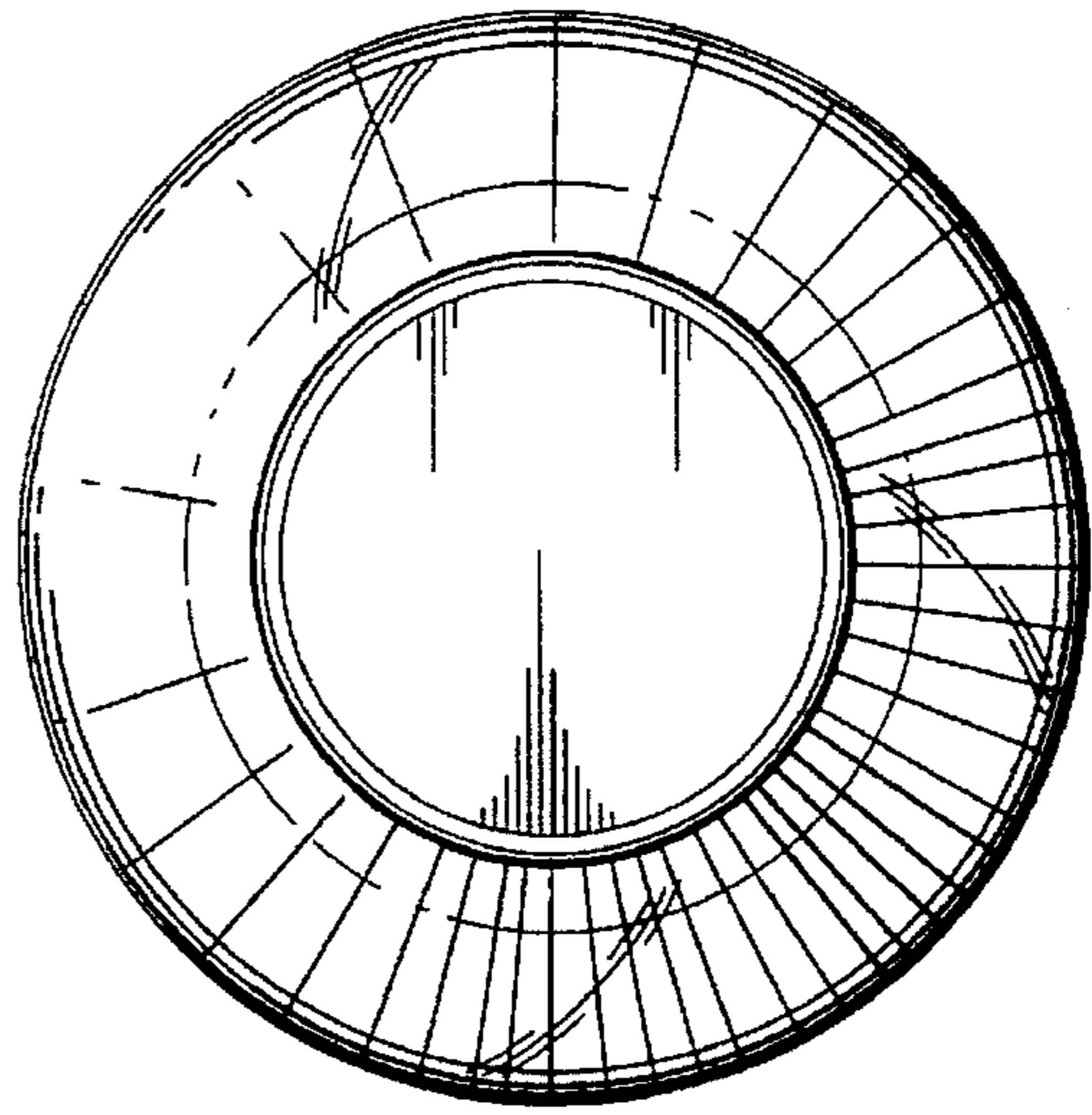


*Fig. 1*

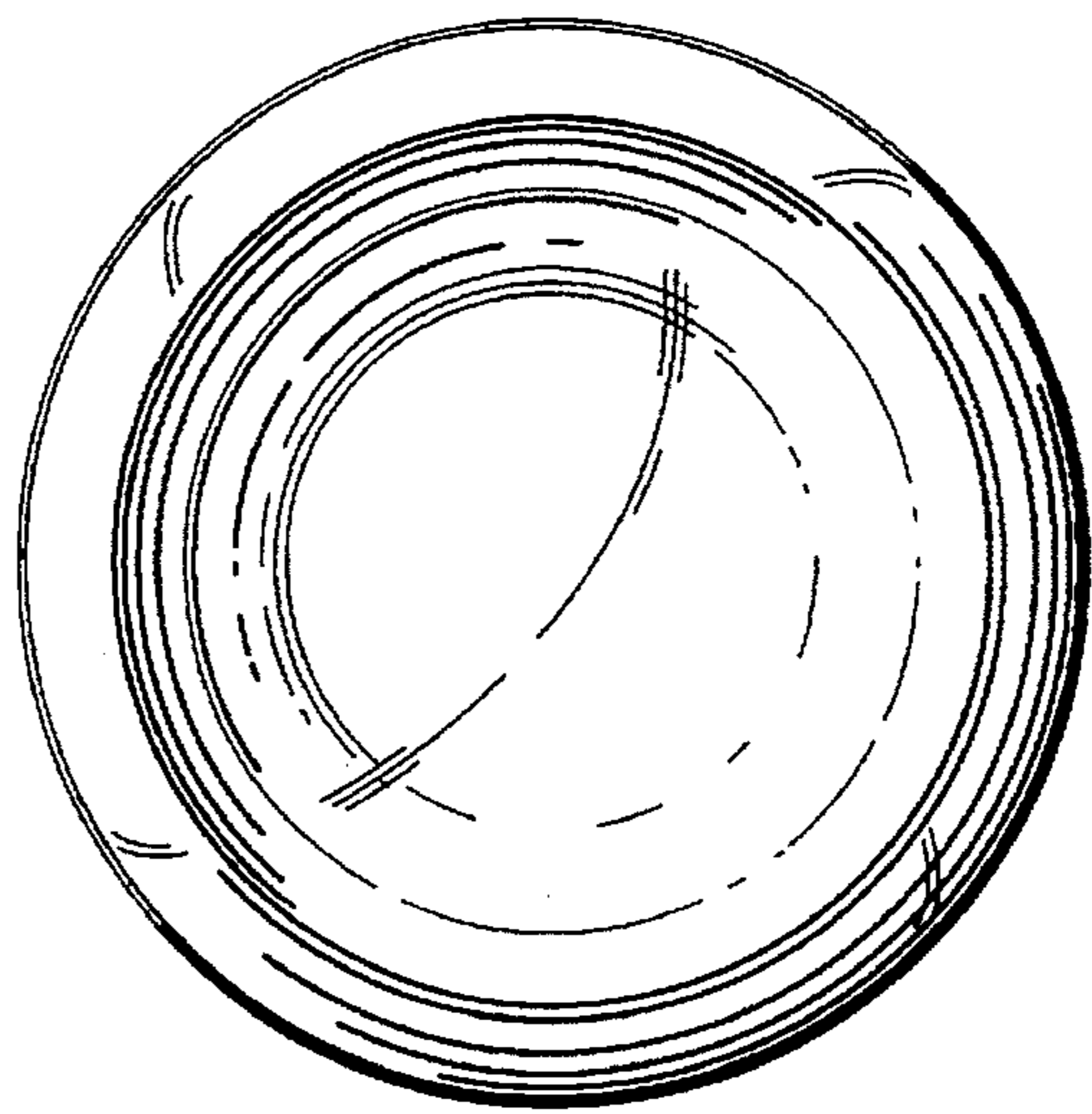




*Fig. 2*



*Fig. 3*



*Fig. 4*