



US00D379148S

United States Patent [19]

Robbins, III et al.

[11] Patent Number: Des. 379,148

[45] Date of Patent: **May 13, 1997

[54] DISPENSING CAP

[75] Inventors: Edward S. Robbins, III, 2802 E. Avalon Ave., Muscle Shoals, Ala. 35661; Gregory S. Burcham, Spruce Pine, Ala.

[73] Assignee: Edward S. Robbins, III, Muscle Shoals, Ala.

[**] Term: 14 Years

[21] Appl. No.: 42,405

[22] Filed: Aug. 8, 1995

[51] LOC (6) Cl. 09-07

[52] U.S. Cl. D9/449

[58] Field of Search D9/434-5, 440, D9/445, 447, 449-50, 454, 523, 525; D7/391-2, 589; 215/228, 235-6, 306, DIG. 7; 220/212, 334, 360, 521; 222/158, 442, 448, 454, 456, 568

[56] References Cited

U.S. PATENT DOCUMENTS

D. 267,781	2/1983	Thompson	D9/447
D. 363,649	10/1995	Robbins, III	D7/612
1,273,012	7/1918	Souther	.	
1,714,368	5/1929	Hobson	.	
1,802,284	4/1931	Stoddard	.	
2,214,437	9/1940	Punte et al.	.	
2,339,644	1/1944	Lucas	.	
2,370,820	3/1945	Stott	.	
2,449,285	9/1948	Elkstrom	.	
2,784,884	3/1957	Borie, Jr.	.	
2,804,103	8/1957	Wall	.	
2,811,281	10/1957	Donovan	.	
2,840,124	6/1958	Greene	.	
2,844,266	7/1958	Hofe	.	
2,969,167	1/1961	Libit	.	
2,985,343	5/1961	Mask	.	
3,020,659	2/1962	Paulini	.	
3,140,799	7/1964	Mehr	.	
3,424,355	1/1969	Blumen	.	
3,486,665	12/1969	La Croce	.	
3,512,681	5/1970	Frankel	.	

- 3,860,111 1/1975 Thompson .
- 3,948,105 4/1976 Johnson, Jr. .
- 4,069,935 1/1978 Hampel .
- 4,079,859 3/1978 Jennings .
- 4,083,467 4/1978 Mullins et al. .
- 4,144,989 3/1979 Joy .
- 4,164,301 8/1979 Thayer .
- 4,209,100 6/1980 Uhlig .
- 4,292,846 10/1981 Barnett .
- 4,298,038 11/1981 Jennings .
- 4,318,500 3/1982 Melikian .
- 4,346,823 8/1982 Eppenbach .

(List continued on next page.)

Primary Examiner—James M. Gandy
Assistant Examiner—Cathron B. Matta
Attorney, Agent, or Firm—Nixon & Vanderhye P.C.

[57] CLAIM

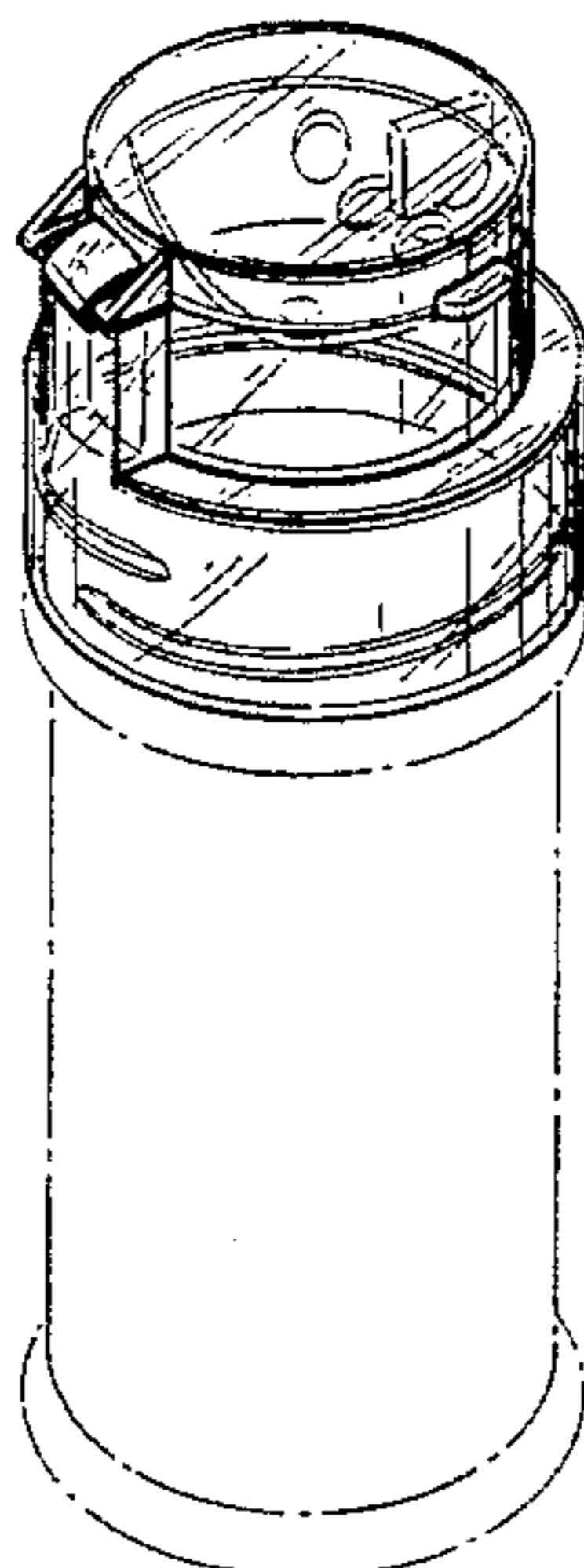
The ornamental design for a dispensing cap, as shown and described.

DESCRIPTION

FIG. 1 is a perspective view of a dispensing cap in accordance with my new design;
 FIG. 2 is a top plan view thereof, shown at an enlarged scale;
 FIG. 3 is a front elevation view thereof;
 FIG. 4 is a right side view thereof, the left side view being substantially identical thereto;
 FIG. 5 is a rear elevation view thereof; and
 FIG. 6 is a bottom plan view thereof;
 FIG. 7 is a perspective view of a dispensing cap in accordance with a second embodiment of my new design;
 FIG. 8 is a top plan view thereof, shown at an enlarged scale;
 FIG. 9 is a front elevation view thereof;
 FIG. 10 is a right side view thereof, the left side being substantially identical;
 FIG. 11 is a rear elevation thereof; and,
 FIG. 12 is a bottom plan view thereof.

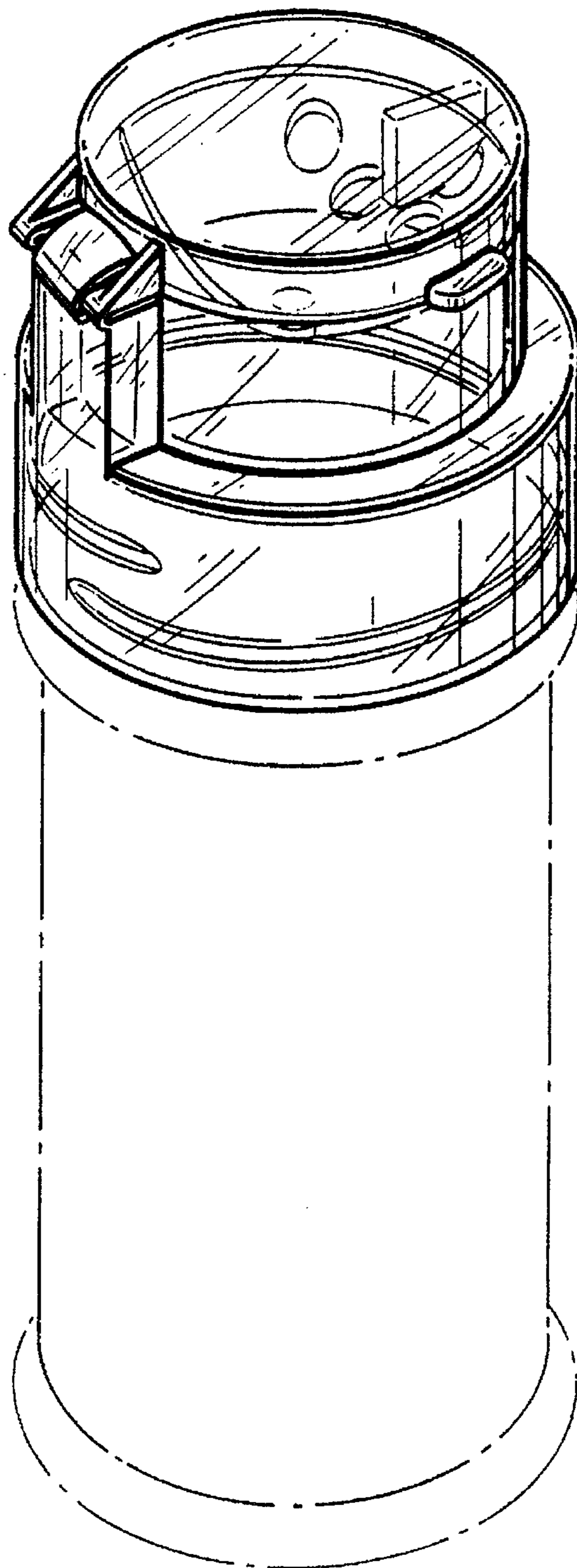
The containers illustrated in phantom in FIGS. 1 and 7 are merely intended to show my new dispensing cap in its intended environment and otherwise form no part of the claimed subject matter.

1 Claim, 7 Drawing Sheets



U.S. PATENT DOCUMENTS					
4,376,497	3/1983	Mumford .	4,930,688	6/1990	Arona-Delonghi .
4,399,928	8/1983	Klingler .	4,936,494	6/1990	Weidman .
4,544,063	10/1985	Neward .	4,955,513	9/1990	Bennett .
4,580,687	4/1986	Lewis .	4,961,521	10/1990	Eckman .
4,606,481	8/1986	Conti et al. .	5,011,048	4/1991	Mark .
4,610,371	9/1986	Karkiewicz .	5,064,106	11/1991	Butler et al. .
4,613,057	9/1986	Sacchetti et al. .	5,085,331	2/1992	Groya et al. .
4,635,828	1/1987	Kaufman .	5,139,181	8/1992	VerWeyst .
4,643,881	2/1987	Alexander et al. .	5,292,039	3/1994	Neofitou .
4,646,948	3/1987	Jennings .	5,305,931	4/1994	Martin et al. .
4,691,821	9/1987	Hofmann .	5,383,582	1/1995	Baxter et al. .
4,693,399	9/1987	Hickman et al. .	5,411,186	5/1995	Robbins, III 222/442
4,714,181	12/1987	Kozlowski et al. .	5,465,871	11/1995	Robbins, III 222/23
4,723,693	2/1988	DeCoster .	5,487,494	1/1996	Robbins, III 222/158
4,802,597	2/1989	Dubach .	5,489,049	2/1996	Robbins, III 222/448
4,898,292	2/1990	VerWeyst et al. .	5,509,582	4/1996	Robbins, III 222/158

FIG. 1



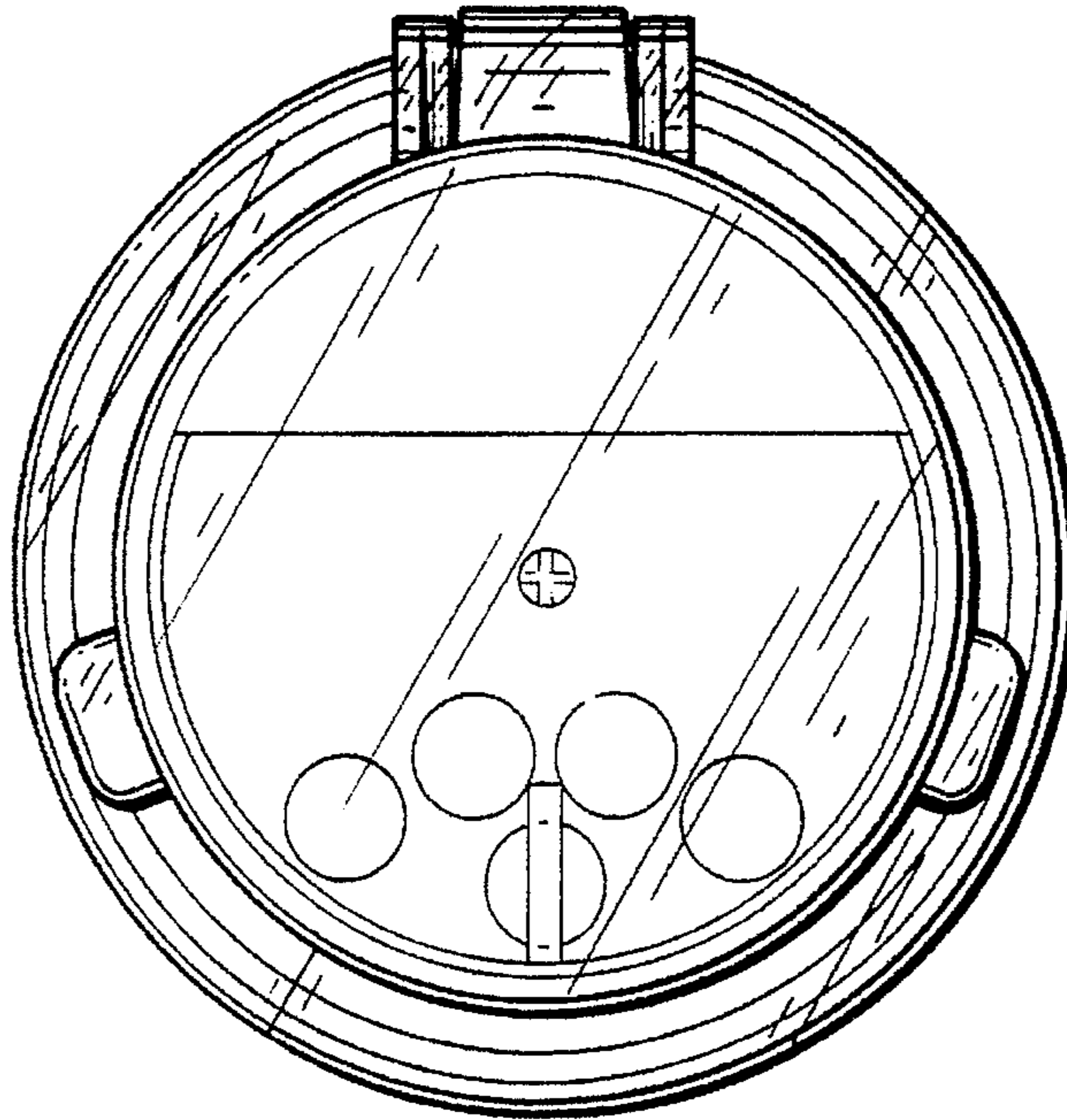
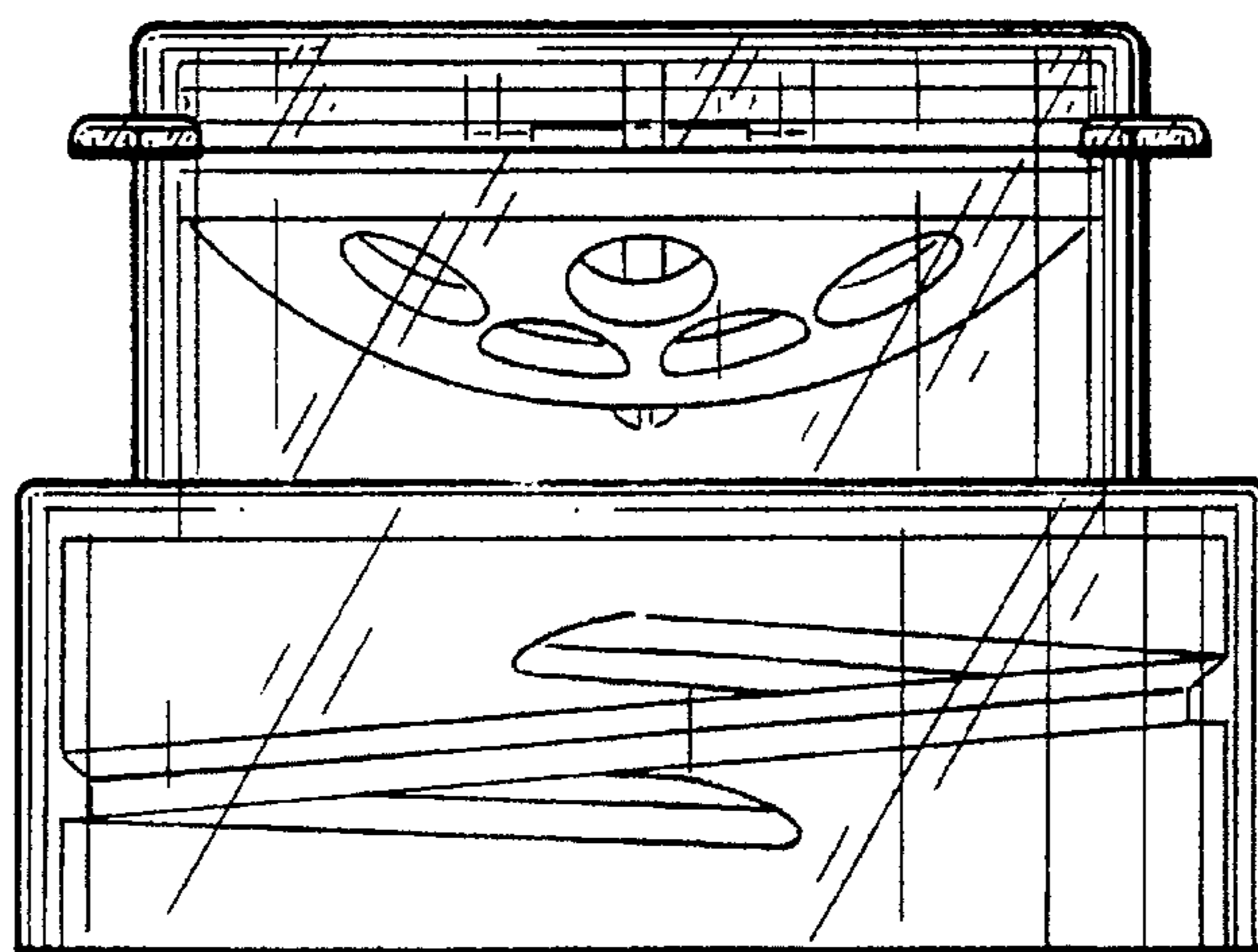


FIG. 2

FIG. 3



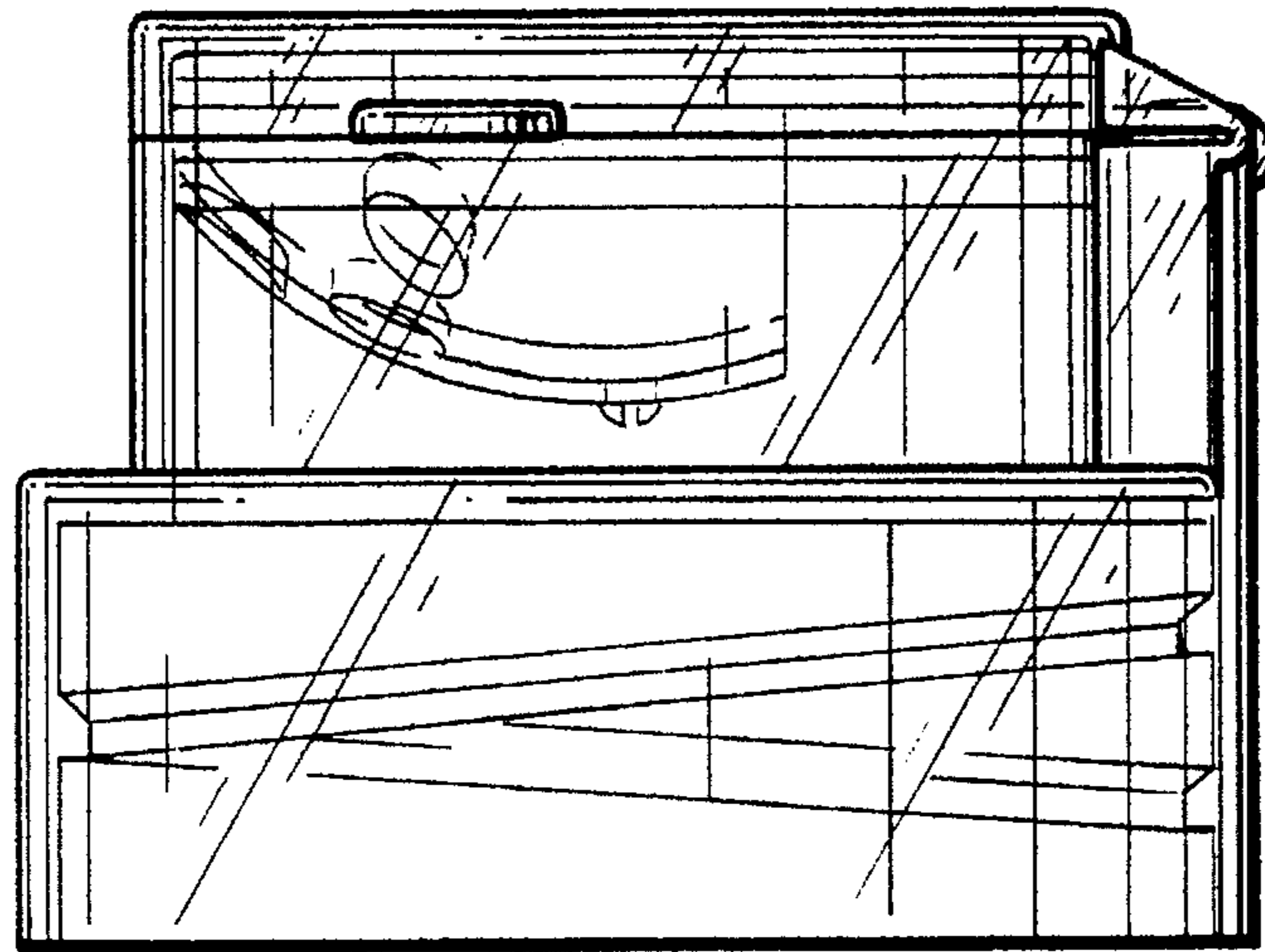
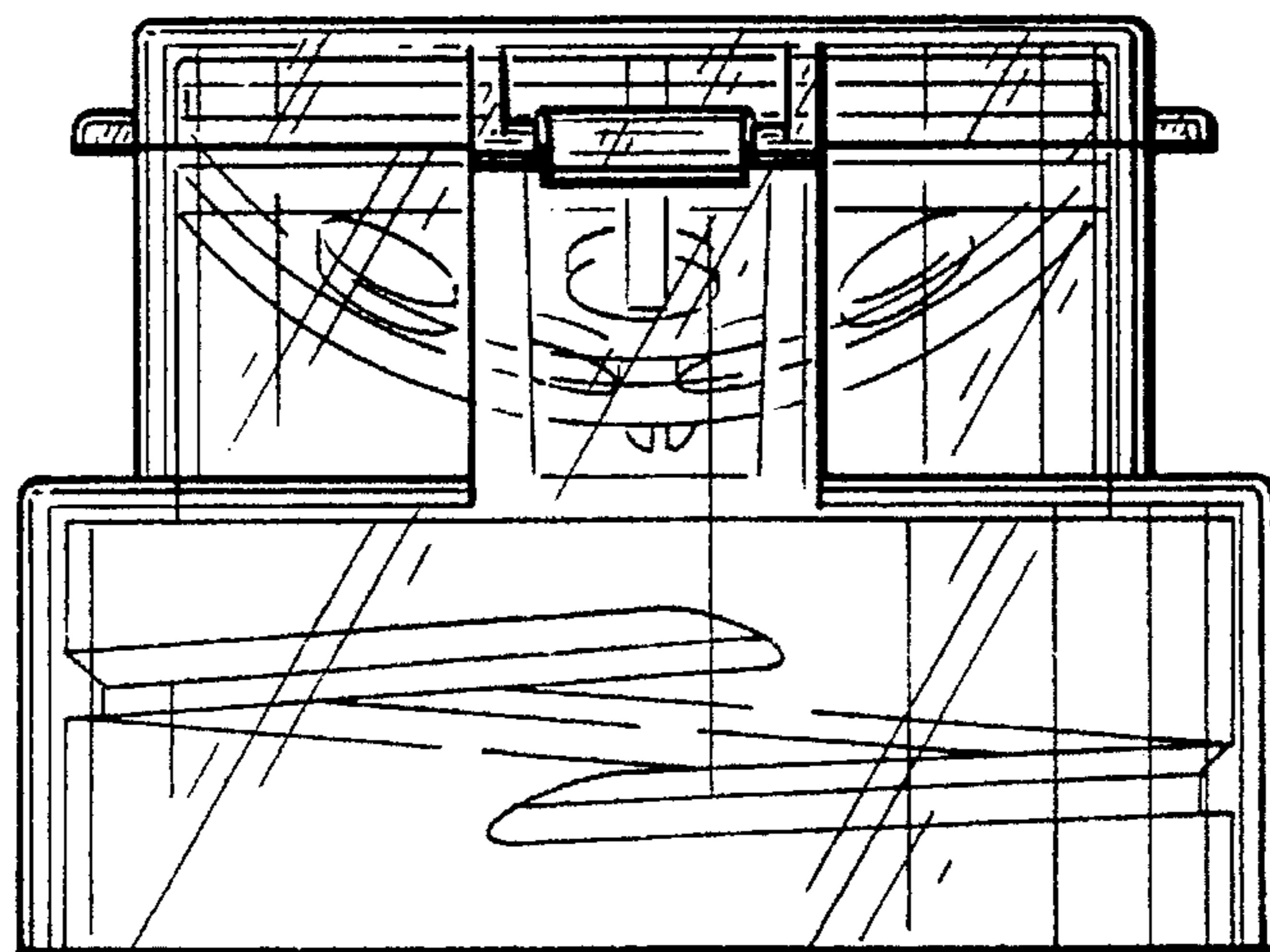


FIG. 4

FIG. 5



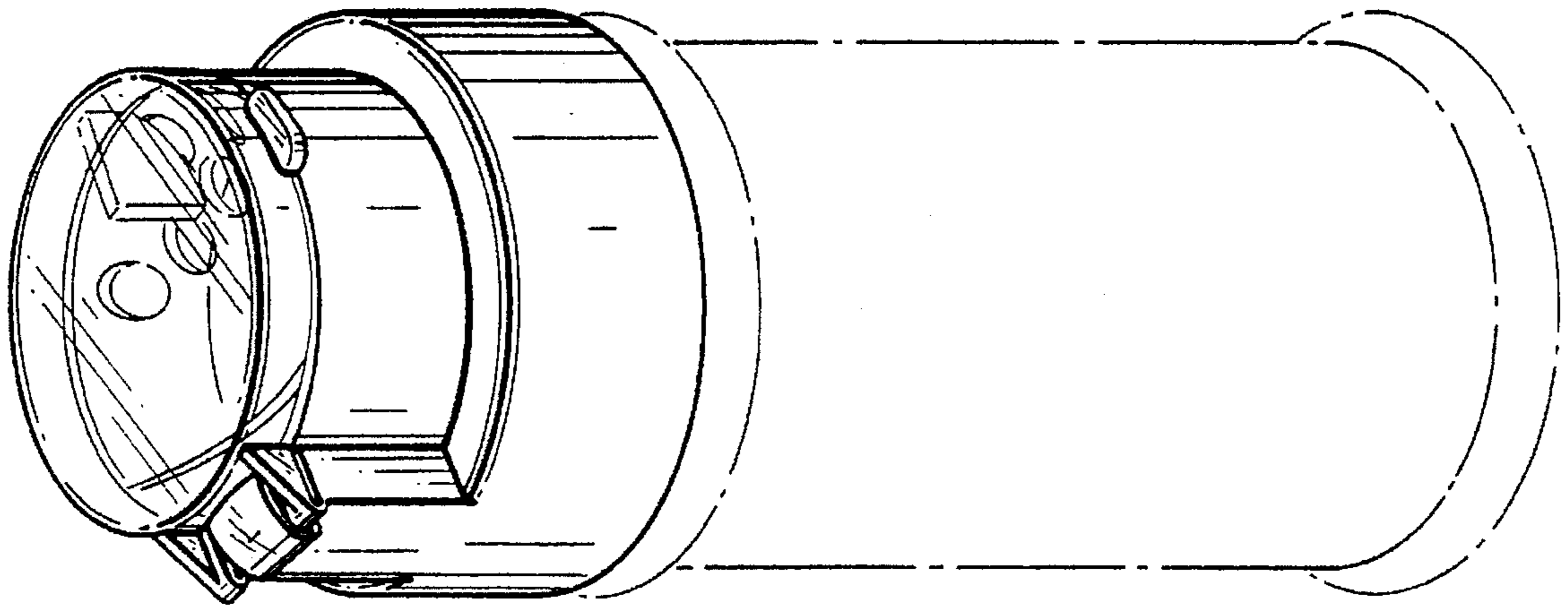


FIG. 7

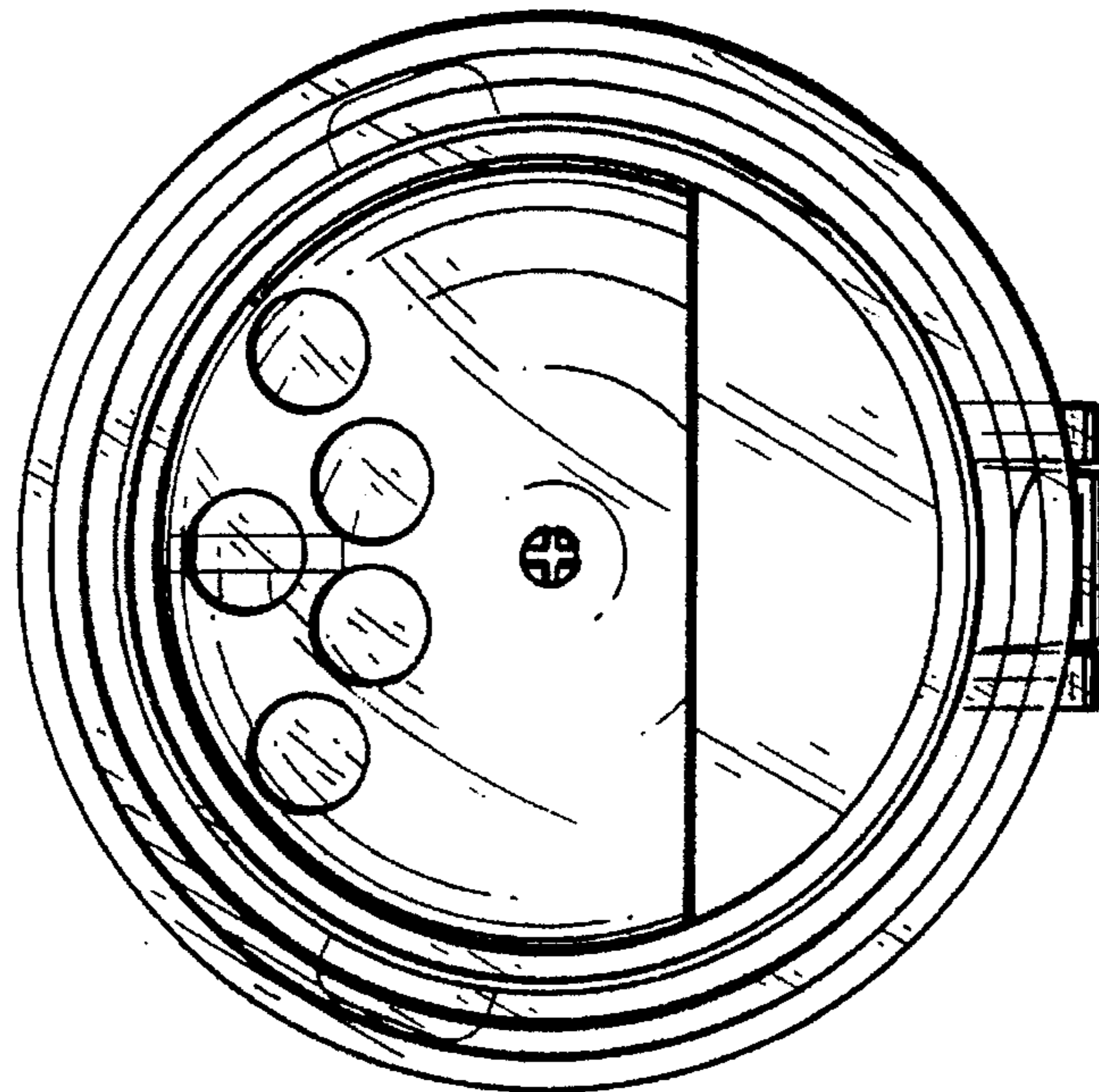


FIG. 6

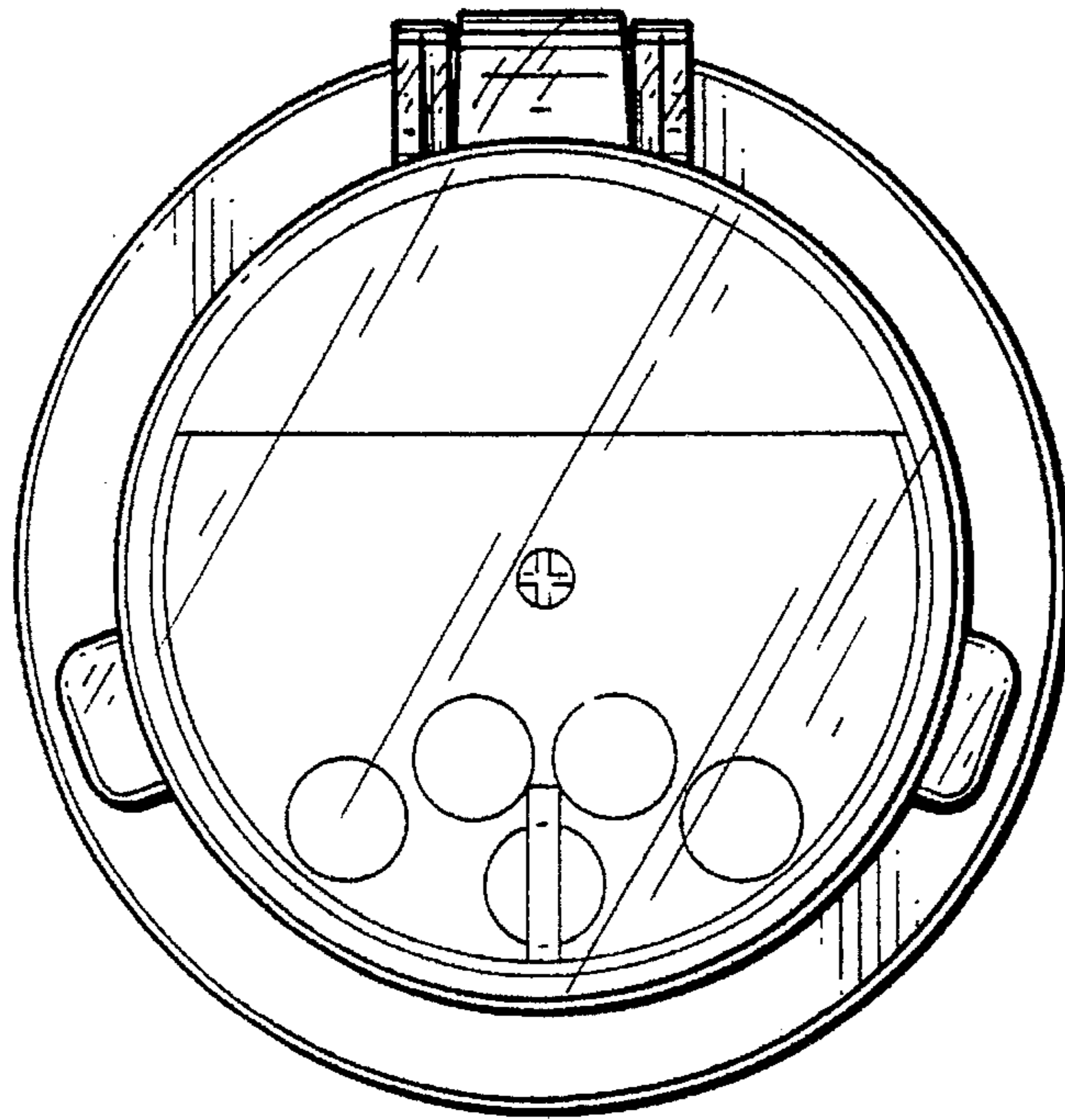
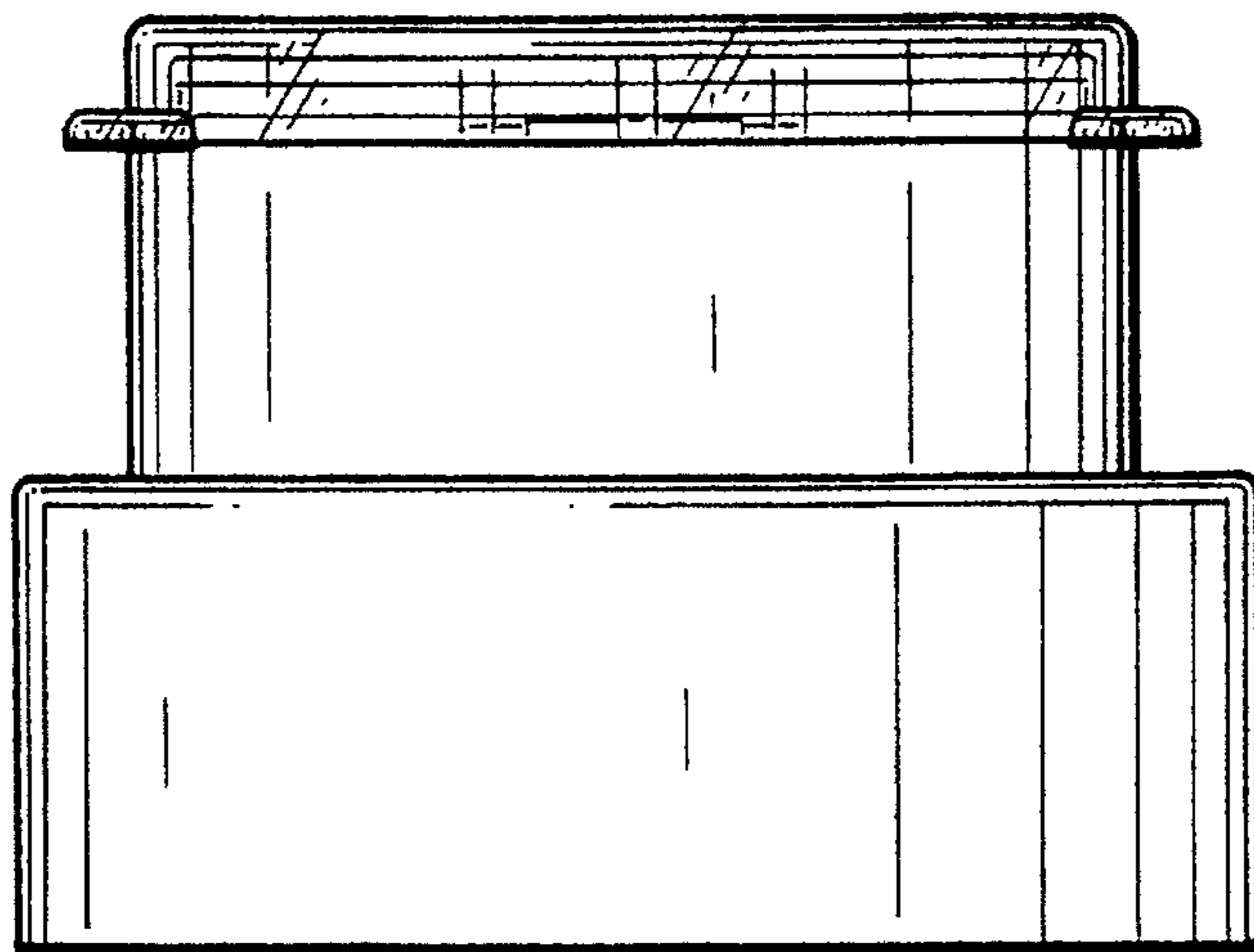


FIG. 8

FIG. 9



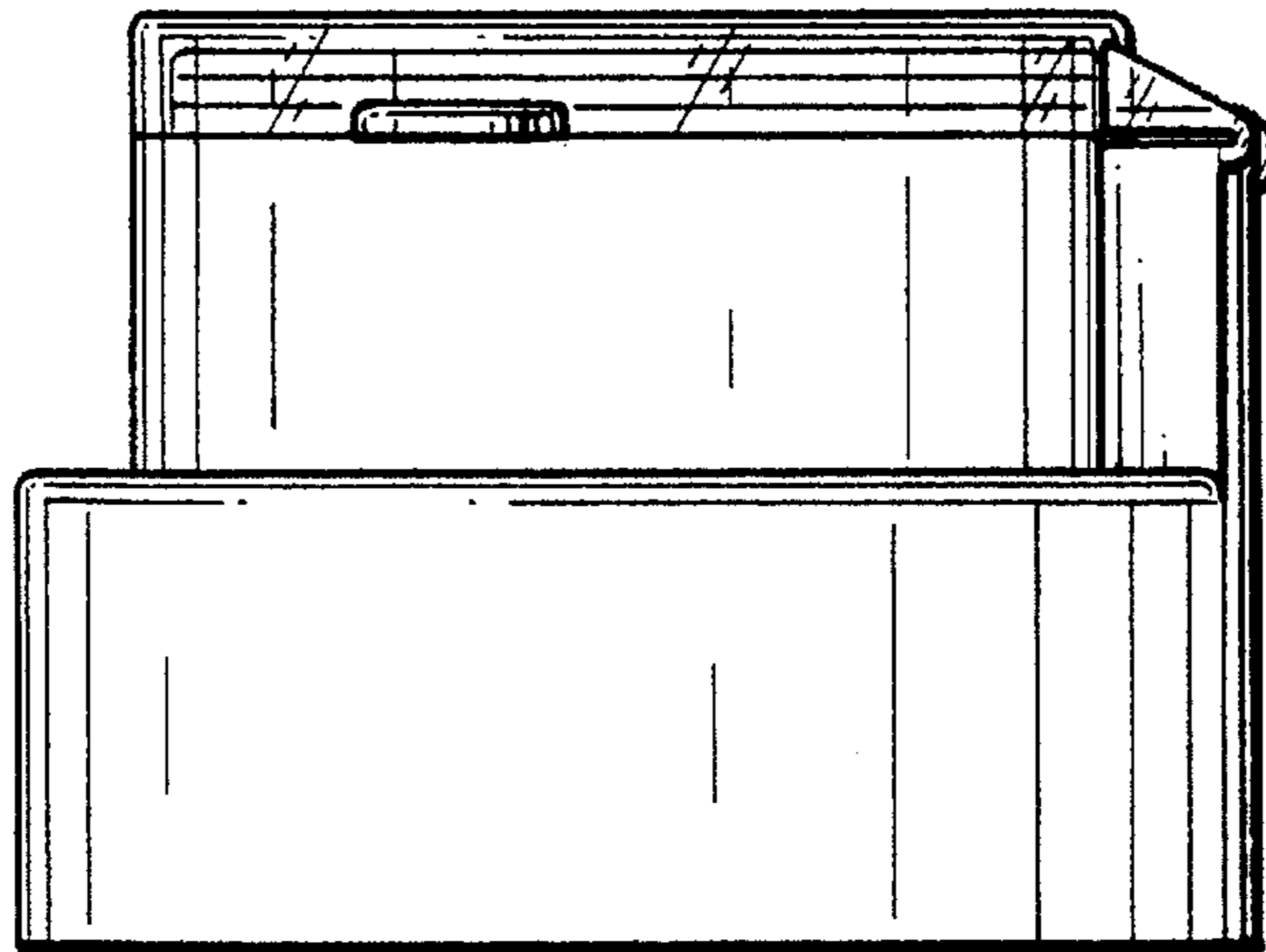


FIG. 10

FIG. 11

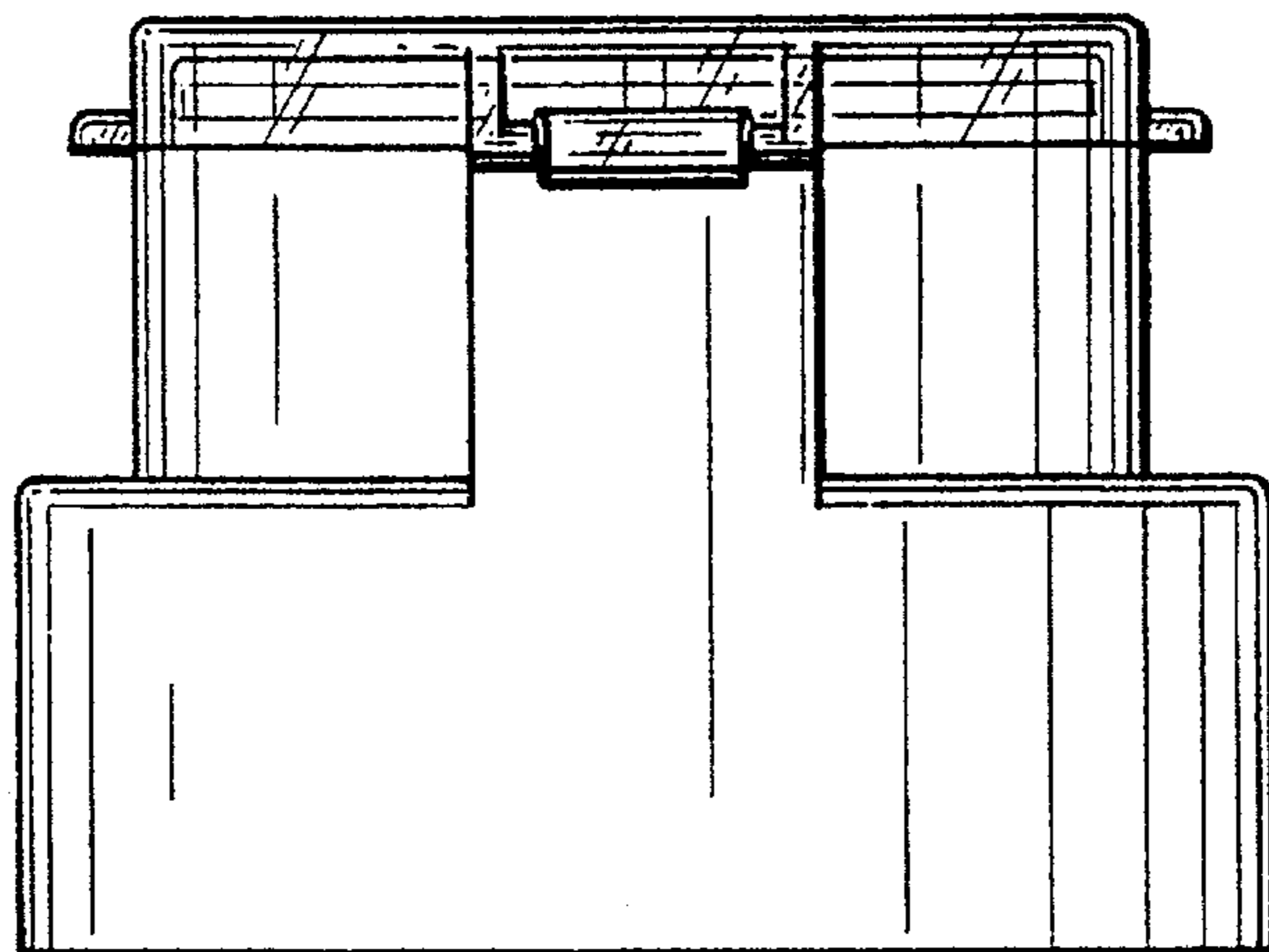


FIG. 12

