



US00D379144S

# United States Patent [19]

Hunter et al.

[11] Patent Number: **Des. 379,144**

[45] Date of Patent: **\*\*May 13, 1997**

[54] **WALL MOUNT FOR TELEVISION RECEIVER**

D. 349,640 8/1994 Whitaker ..... D8/363  
5,277,392 1/1994 Rossman et al. .... 248/281.1

[76] Inventors: **Delphine G. Hunter**, P.O. Box 1387, Medicine Hat, Alberta, Canada, T1A 0G3; **Mark J. Lumbard**, 1631 - 15 Avenue SW, Calgary, Alberta, Canada, T3C 0Y3

*Primary Examiner*—Brian N. Vinson  
*Attorney, Agent, or Firm*—Harold H. Dutton, Jr.; W. Charles L. Jamison; Diane F. Liebman

[\*\*] Term: **14 Years**

[57] **CLAIM**

The ornamental design for a wall mount for television receiver, as shown and described.

[21] Appl. No.: **46,846**

**DESCRIPTION**

[22] Filed: **Nov. 16, 1995**

[51] LOC (6) Cl. .... **08-08**

FIG. 1 is a top plan view of a wall mount for a television receiver showing our new design;

[52] U.S. Cl. .... **D8/363**

FIG. 2 is a front elevation thereof;

[58] Field of Search ..... D8/380-381, 373; D6/567; 248/309.1, 310, 248, 281.1; 211/100, 96

FIG. 3 is a right side elevation thereof;

FIG. 4 is a bottom plan view thereof;

FIG. 5 is a rear elevation thereof; and,

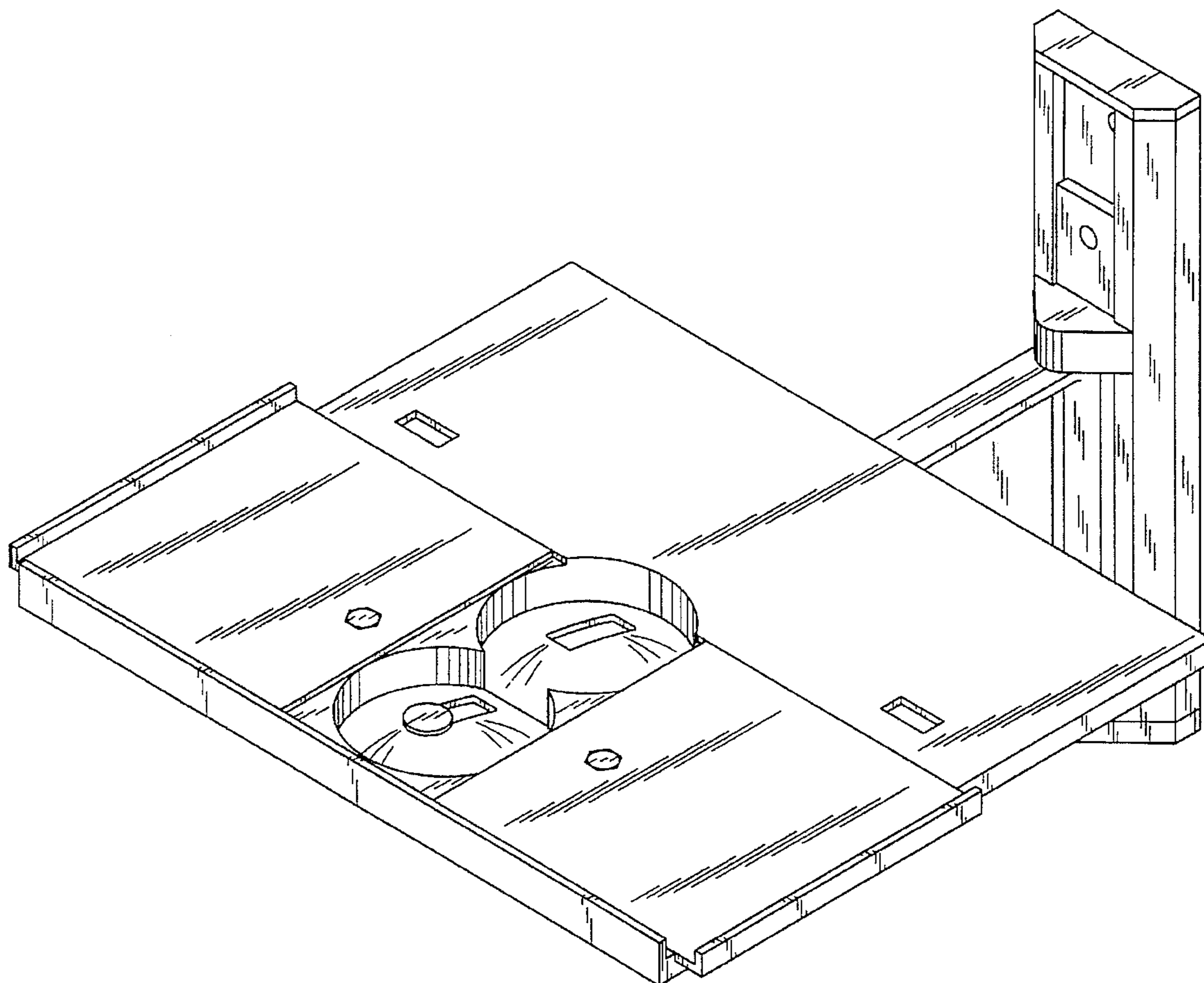
FIG. 6 is an enlarged perspective view thereof.

[56] **References Cited**

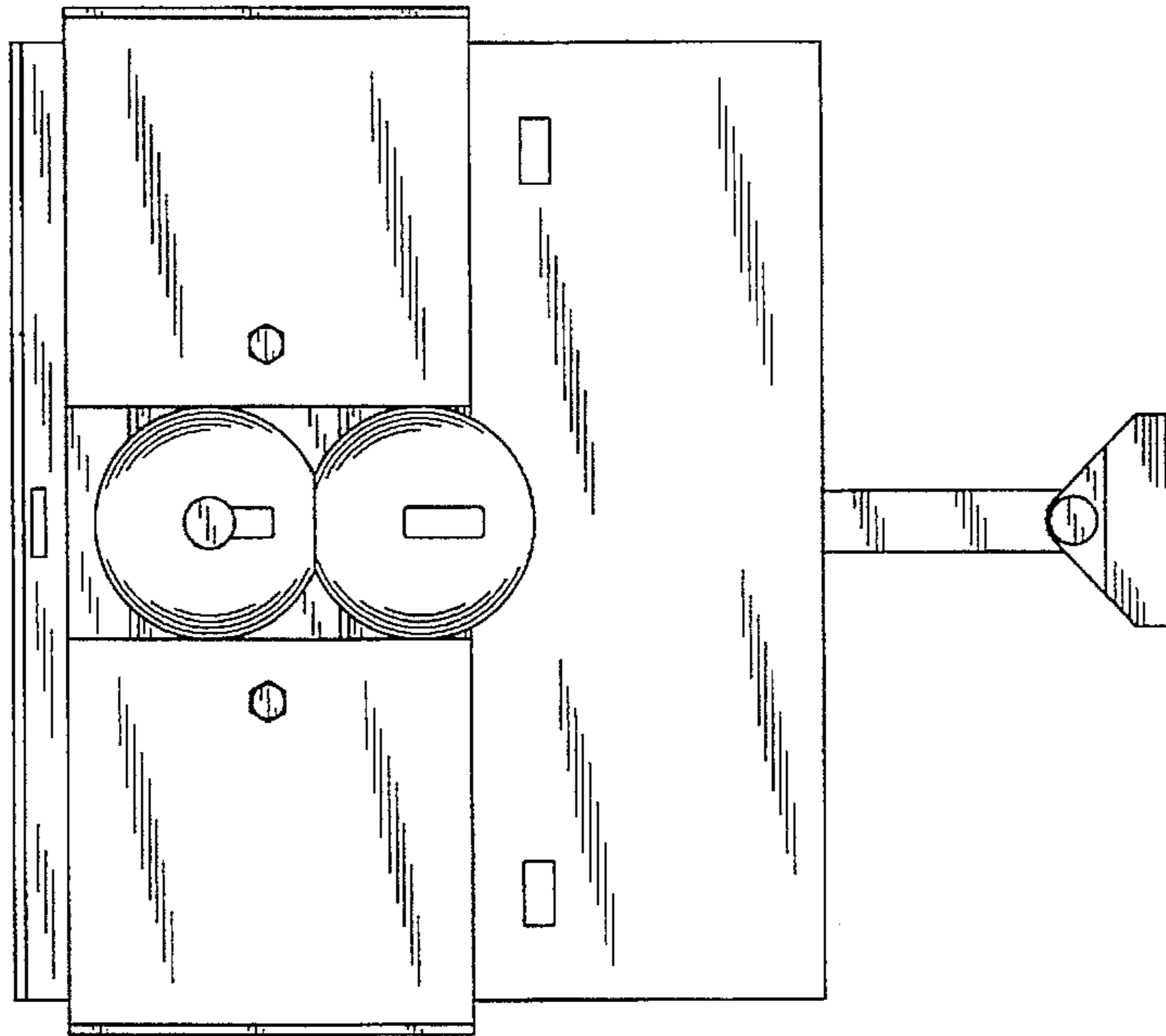
**U.S. PATENT DOCUMENTS**

D. 320,928 10/1991 Boscacci et al. .... D8/363

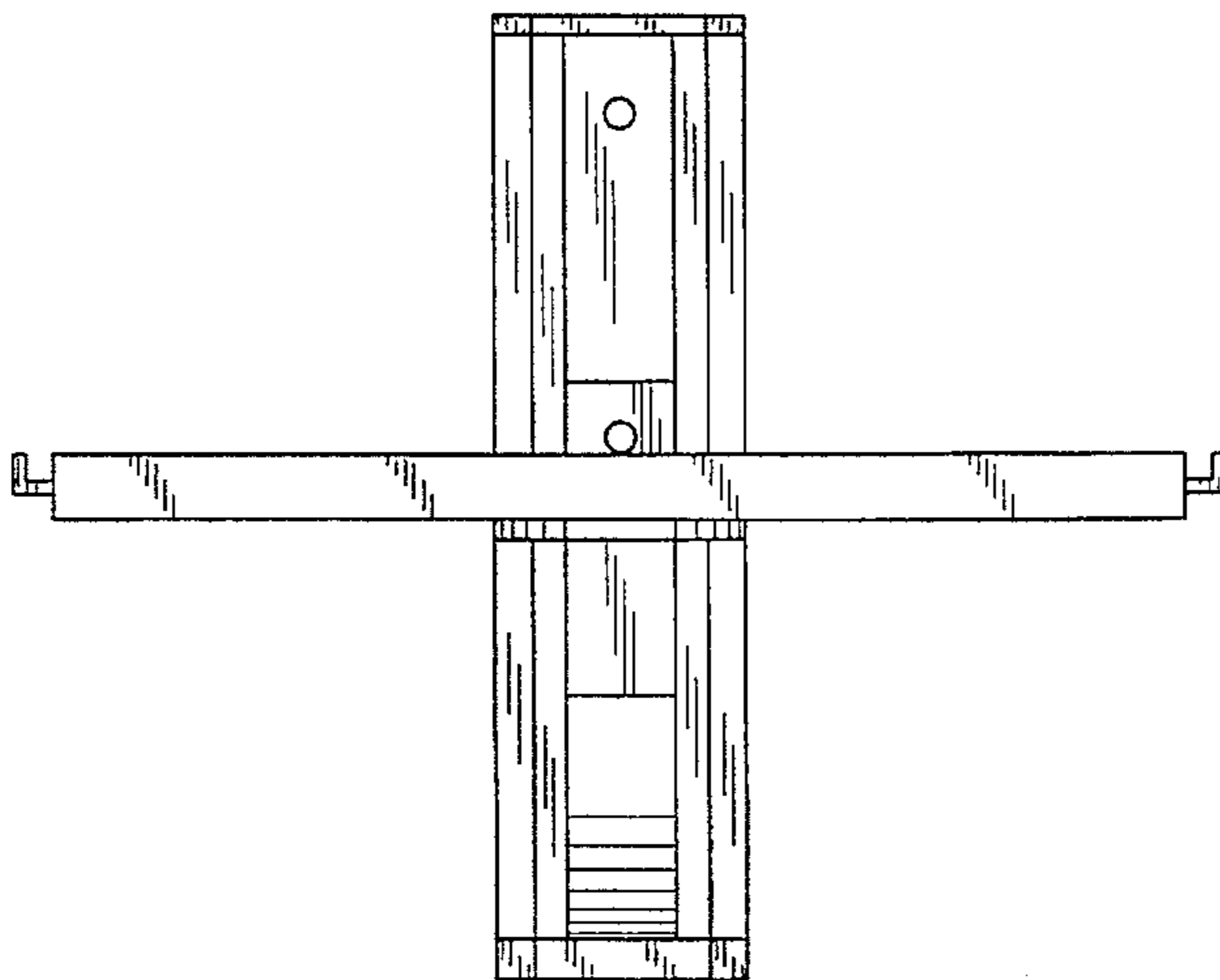
**1 Claim, 3 Drawing Sheets**



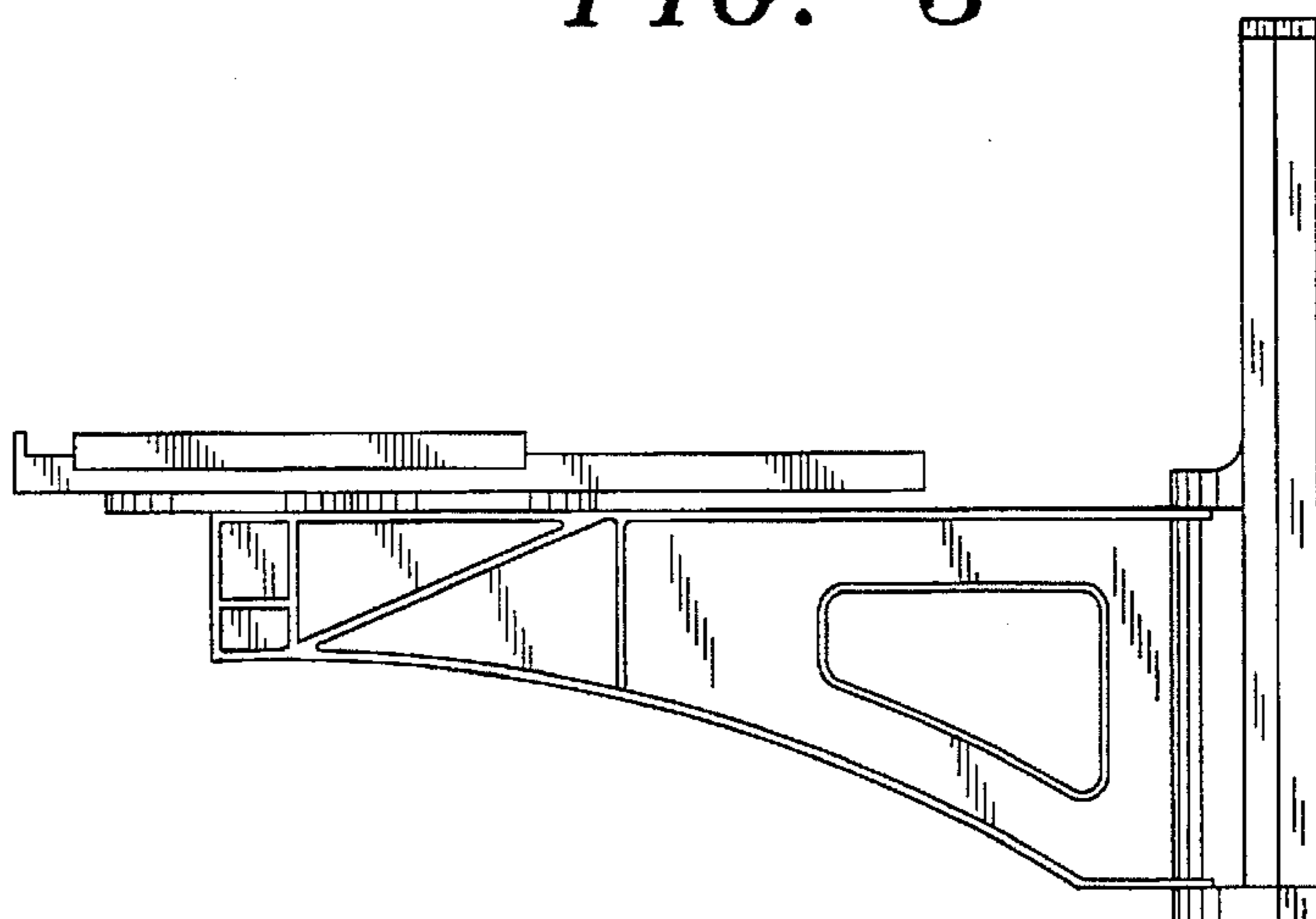
*FIG. 1*



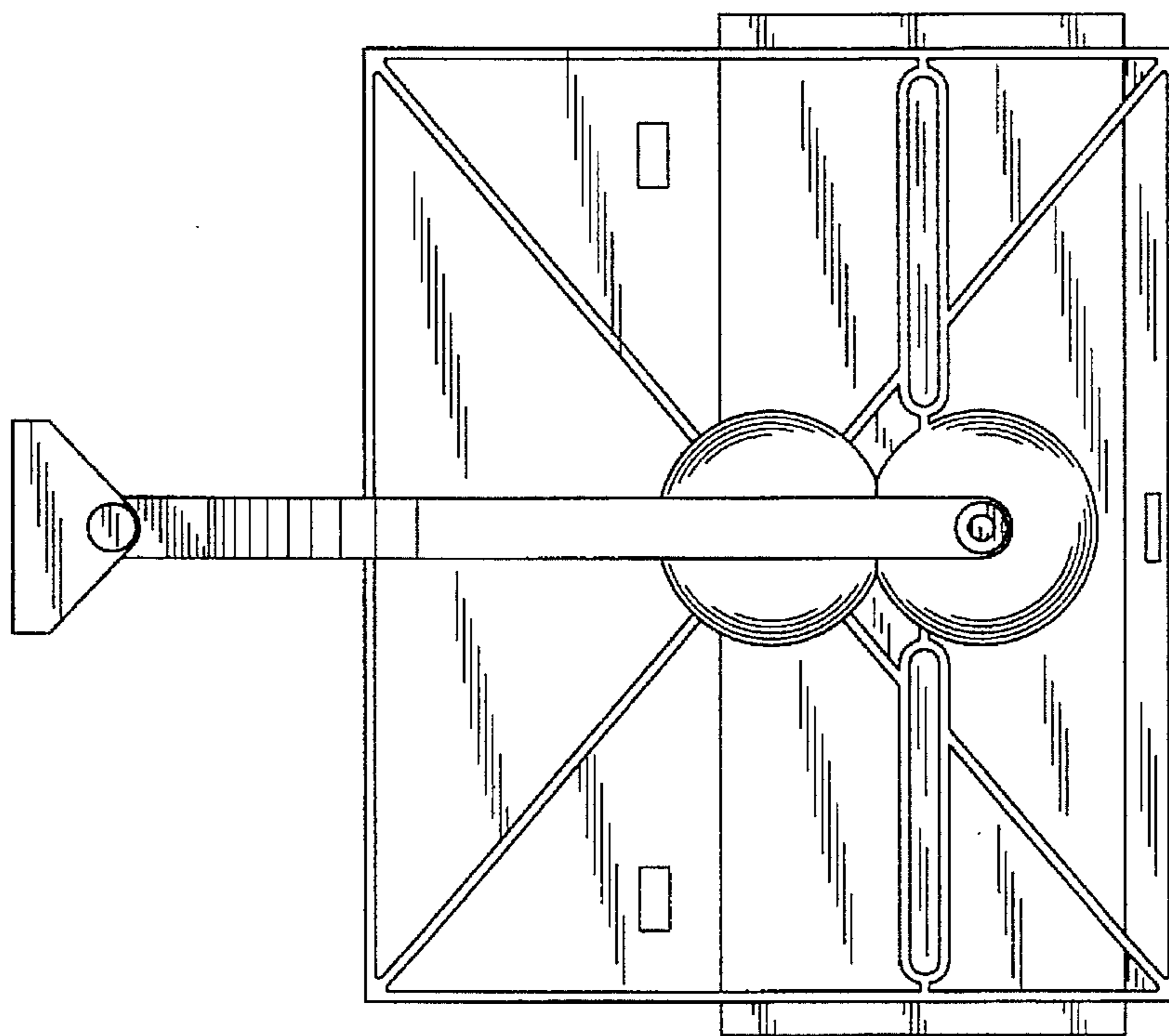
*FIG. 2*



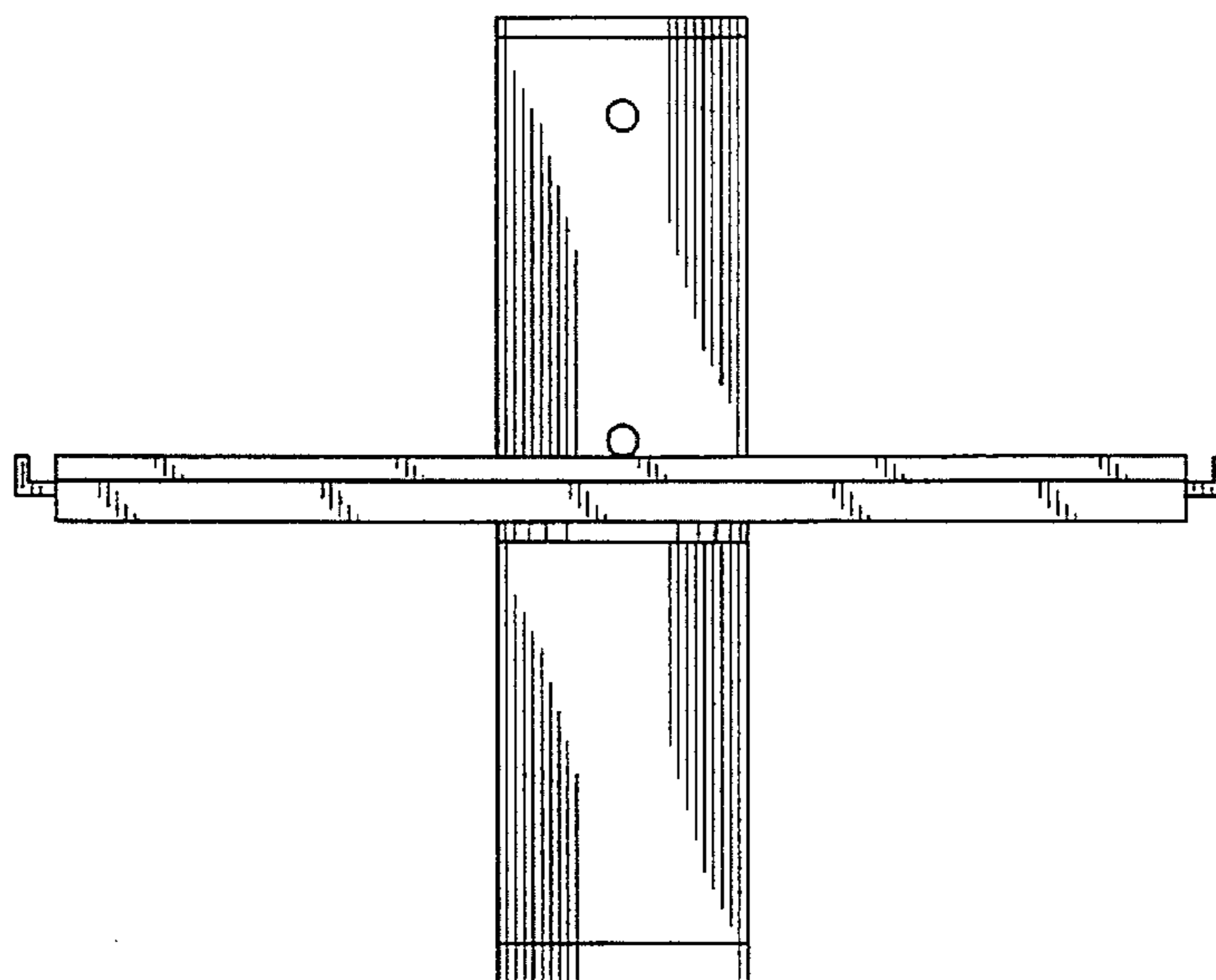
*FIG. 3*



*FIG. 4*



*FIG. 5*



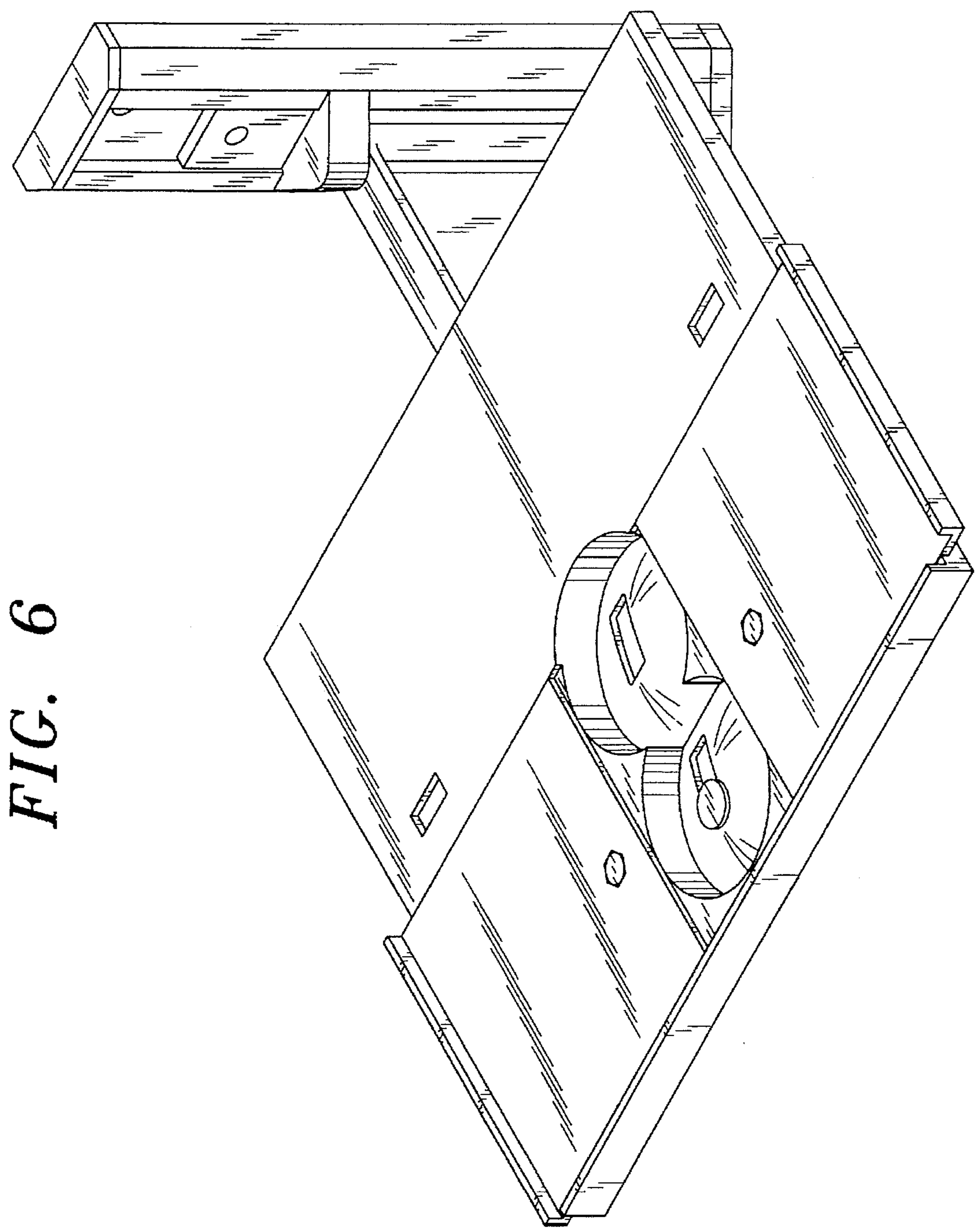


FIG. 6