



US00D379143S

# United States Patent [19] Alley

[11] Patent Number: Des. 379,143

[45] Date of Patent: \*\*May 13, 1997

## [54] PROPELLER ANTI-THEFT DEVICE

[76] Inventor: Richard Alley, P.O. Box 2, Warfield, Ky. 41267

[\*\*] Term: 14 Years

[21] Appl. No.: 44,854

[22] Filed: Oct. 2, 1995

[51] LOC (6) Cl. .... 08-07

[52] U.S. Cl. .... D8/346; D8/333

[58] Field of Search ..... D8/330-331, 333, D8/339, 346; 70/14, 20, 57-58, 174

## [56] References Cited

### U.S. PATENT DOCUMENTS

D. 351,778	10/1994	Kuo	.....	D8/333
D. 358,076	5/1995	Woller et al.	.....	D8/331
4,979,381	12/1990	Luongo	.....	70/14
5,184,488	2/1993	Sandlin	.....	70/14

Primary Examiner—Brian N. Vinson  
Attorney, Agent, or Firm—Harold H. Dutton, Jr.; W. Charles L. Jamison; Diane F. Liebman

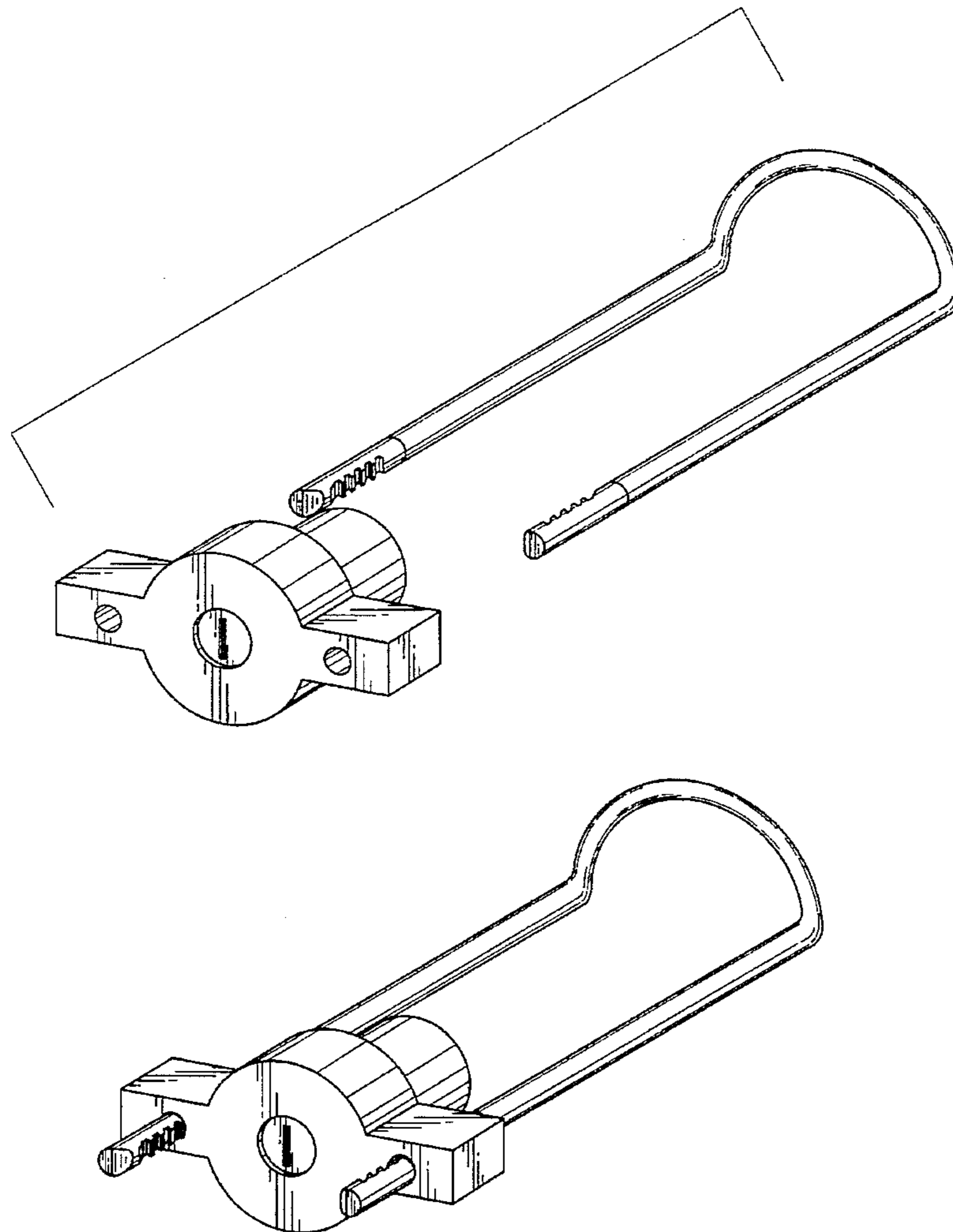
## [57] CLAIM

The ornamental design for a propeller anti-theft device, as shown and described.

## DESCRIPTION

FIG. 1 is an exploded view of a propeller anti-theft device showing my new design;  
FIG. 2 is a front view of the lock portion;  
FIG. 3 is a rear view thereof;  
FIG. 4 is a top side view thereof;  
The bottom side is a mirror image of the top side;  
FIG. 5 is a right side view thereof;  
The left side is a mirror image of the right side;  
FIG. 6 is a rear view of the rod portion;  
FIG. 7 is a front view thereof;  
FIG. 8 is a right side view thereof;  
The left side is a mirror image of the right side;  
FIG. 9 is a top view thereof;  
FIG. 10 is a bottom view thereof; and,  
FIG. 11 is a perspective view of a propeller anti-theft device in fully assembled form.

1 Claim, 5 Drawing Sheets



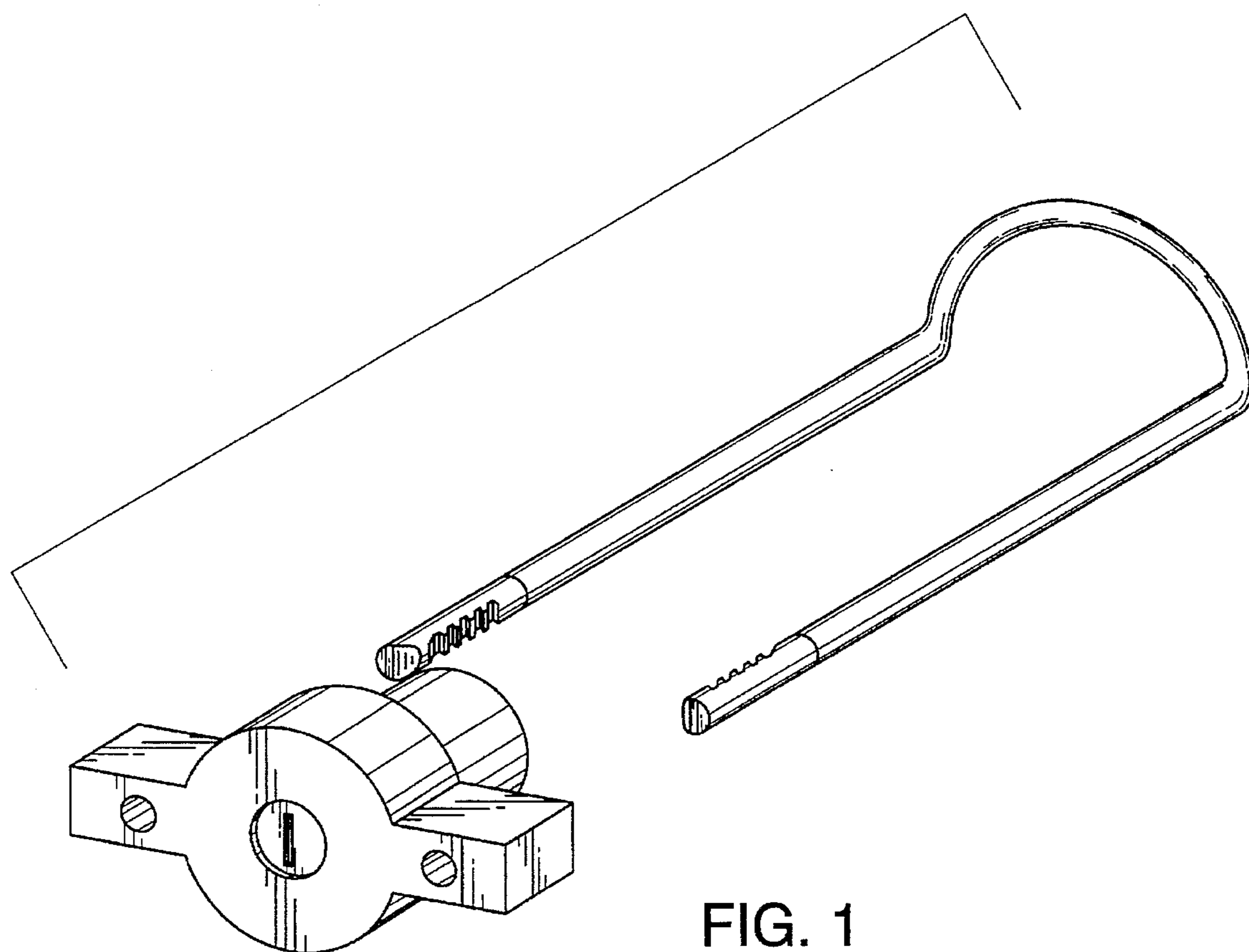


FIG. 1

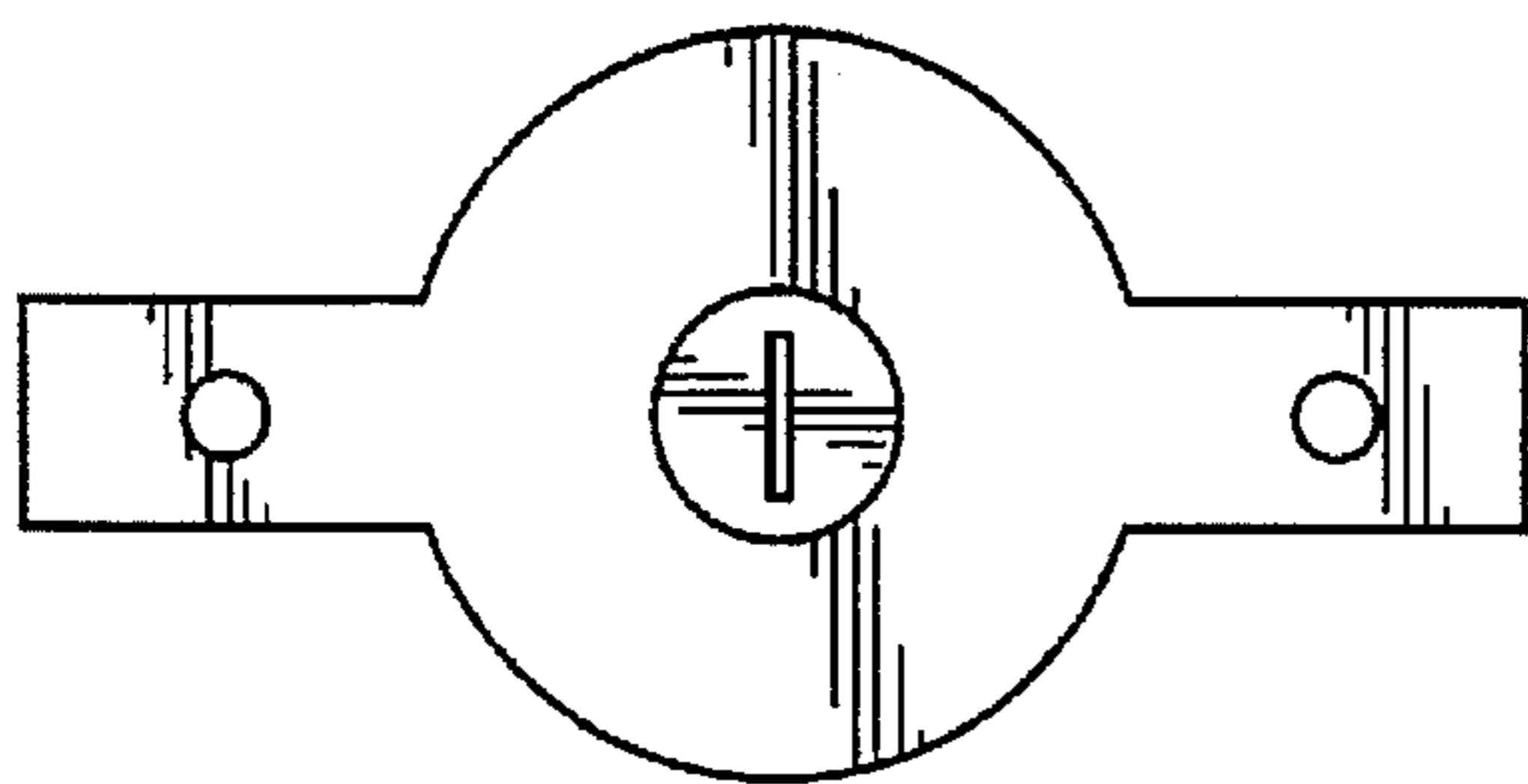


FIG. 2

FIG. 3

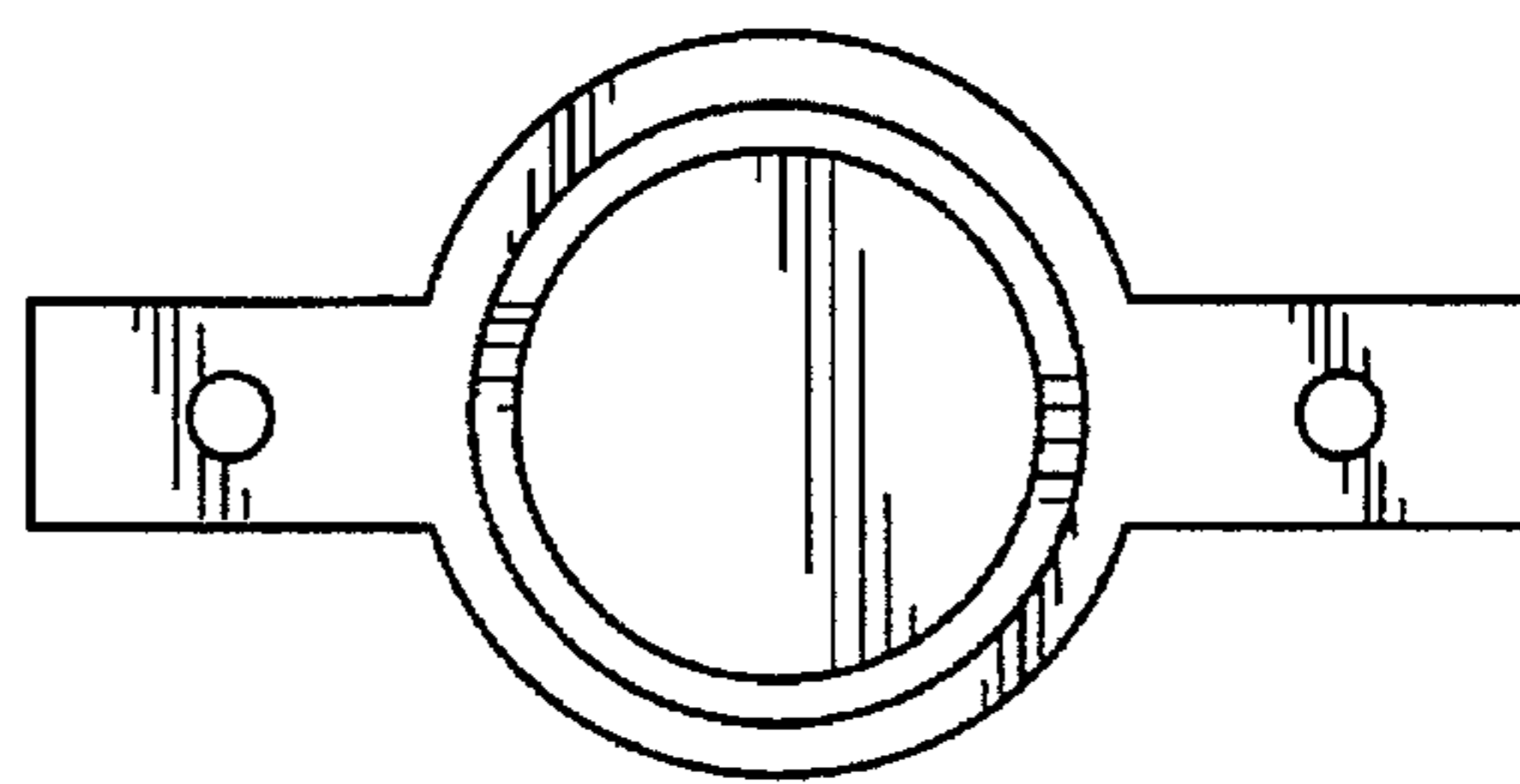


FIG. 4

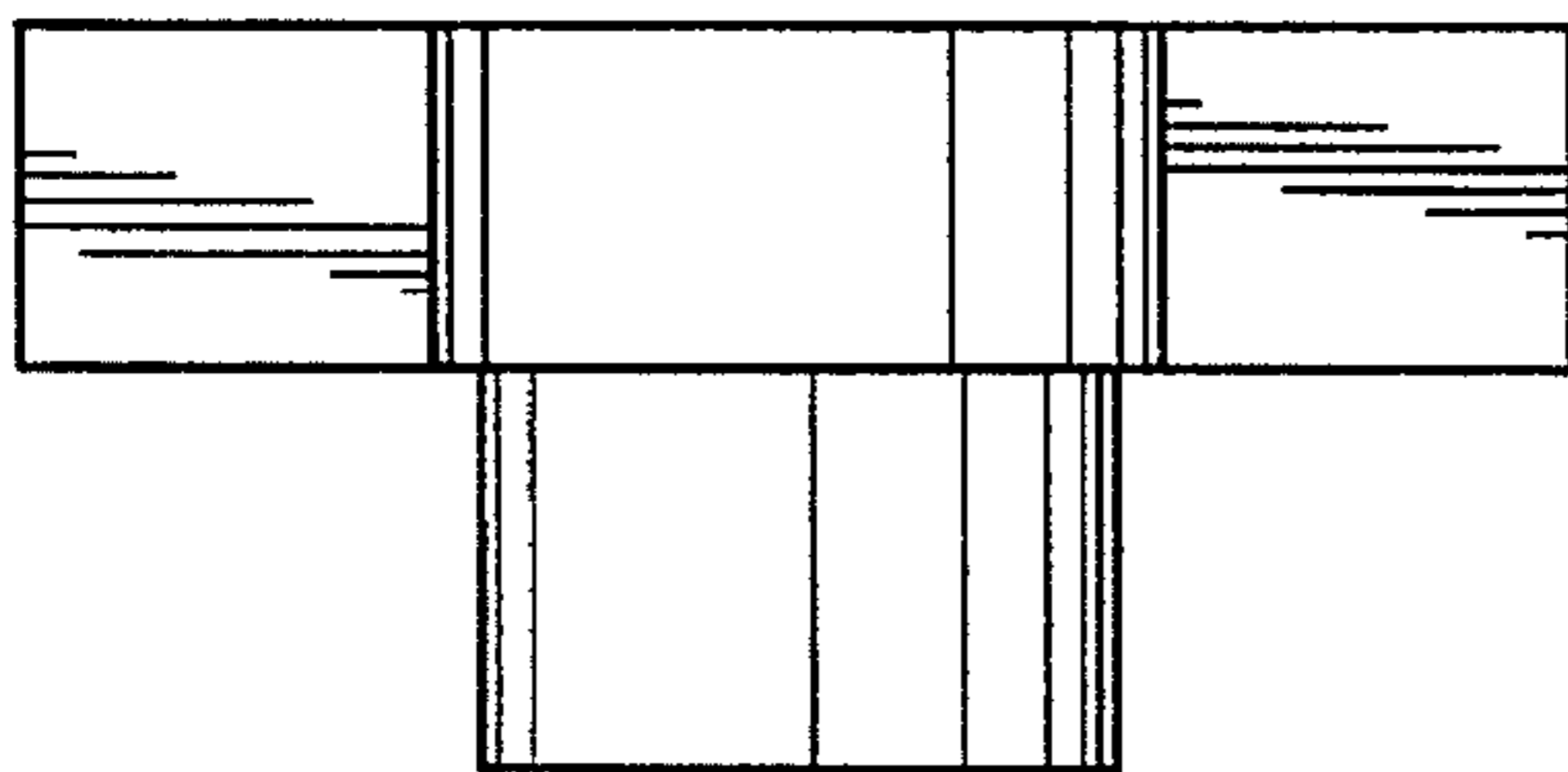


FIG. 5

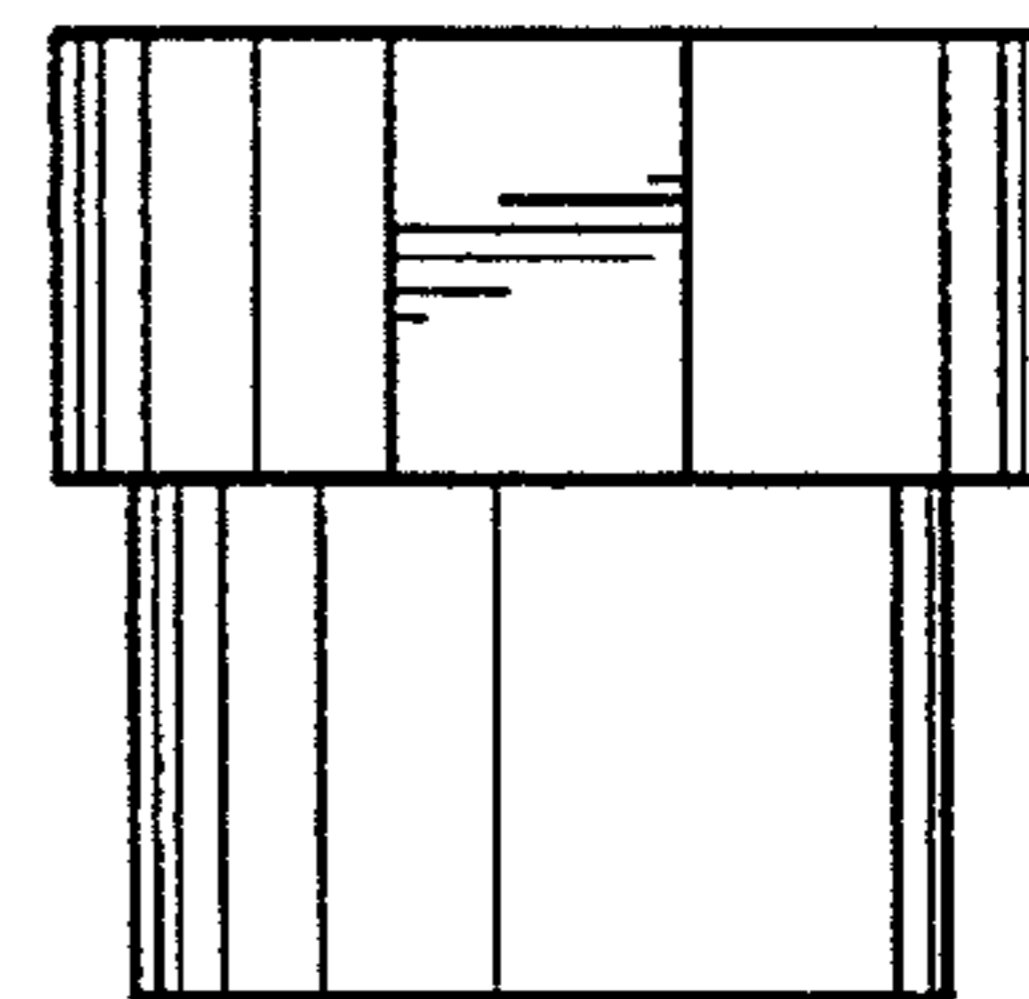


FIG. 6

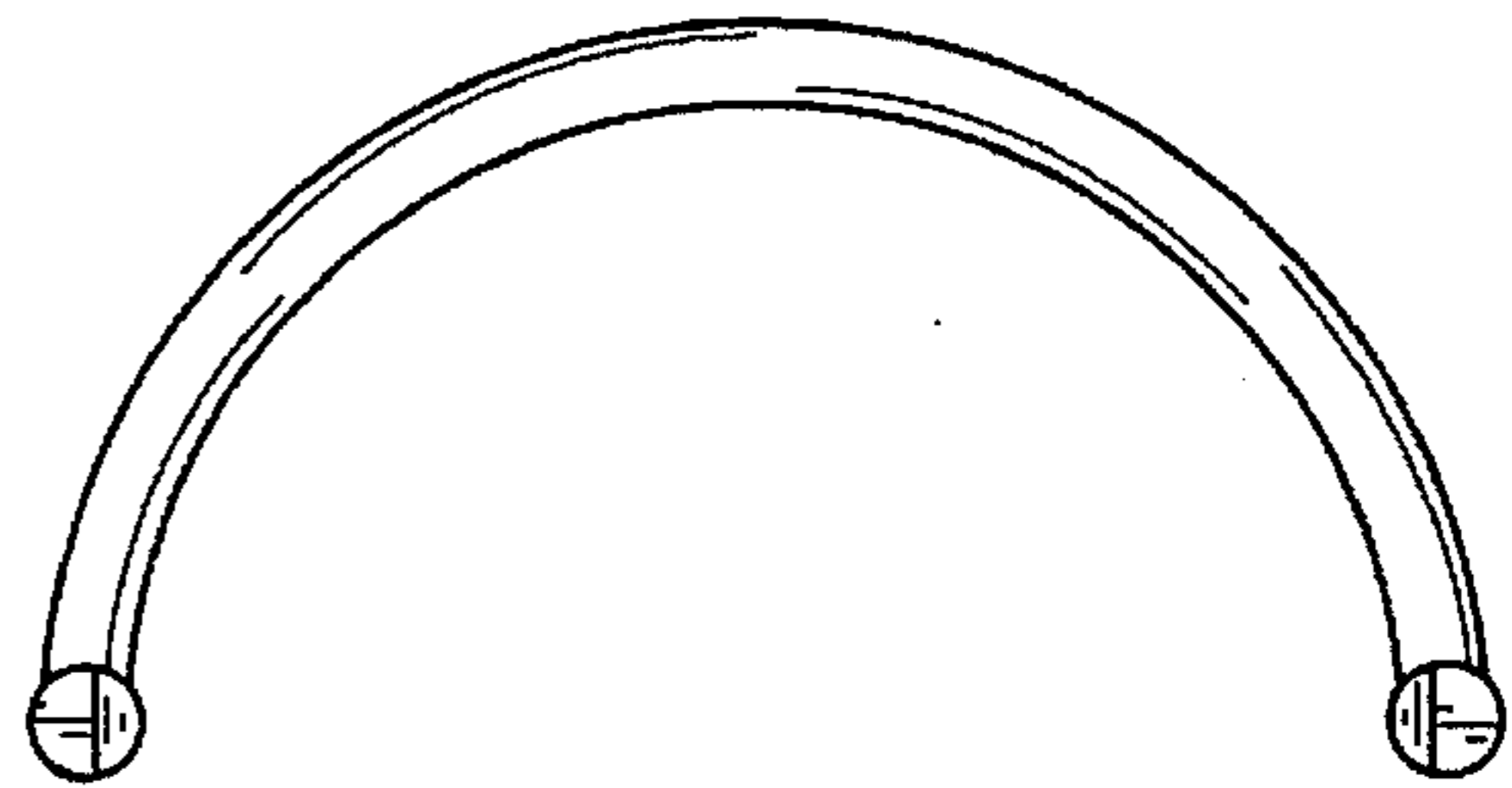
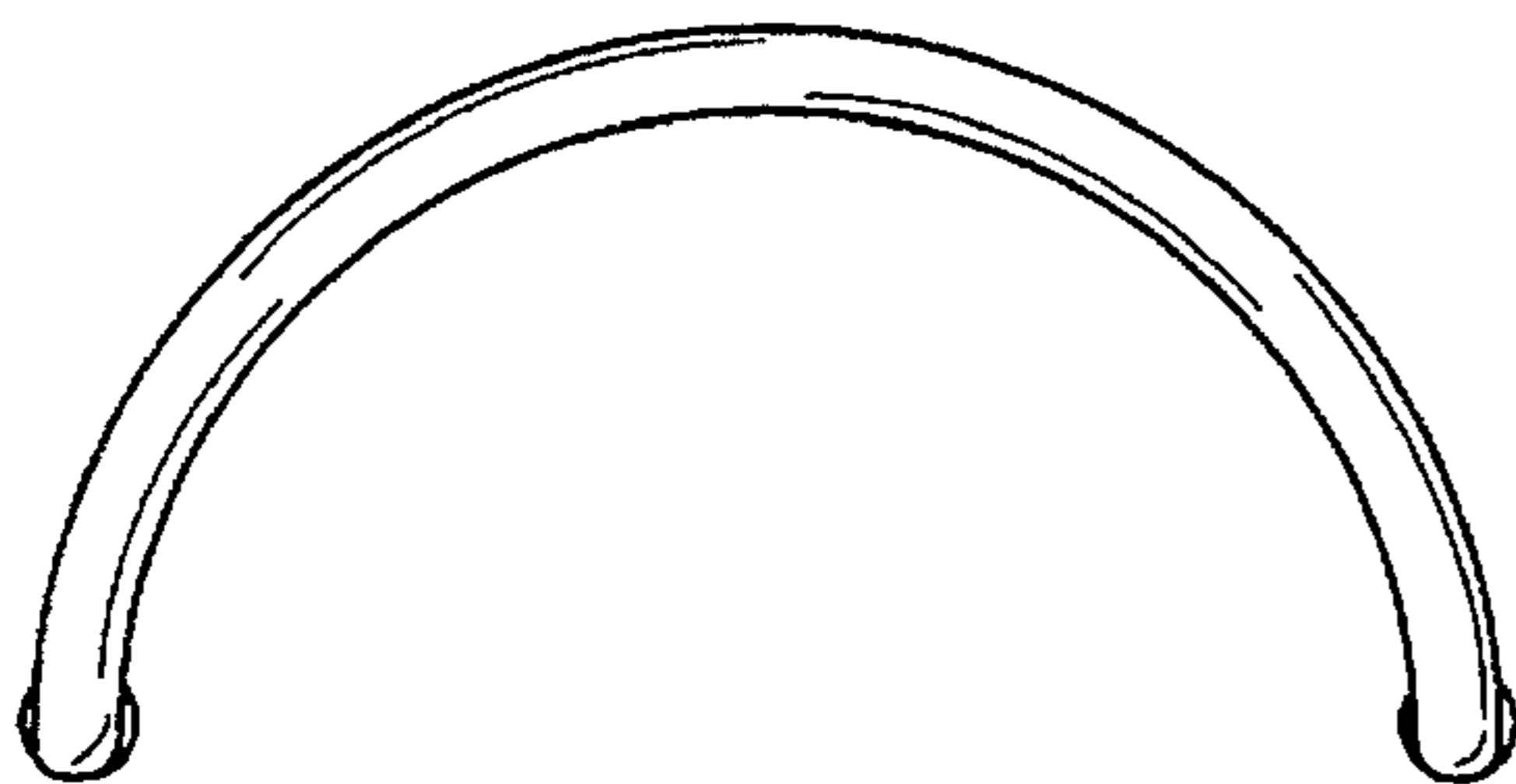


FIG. 7



FIG. 8

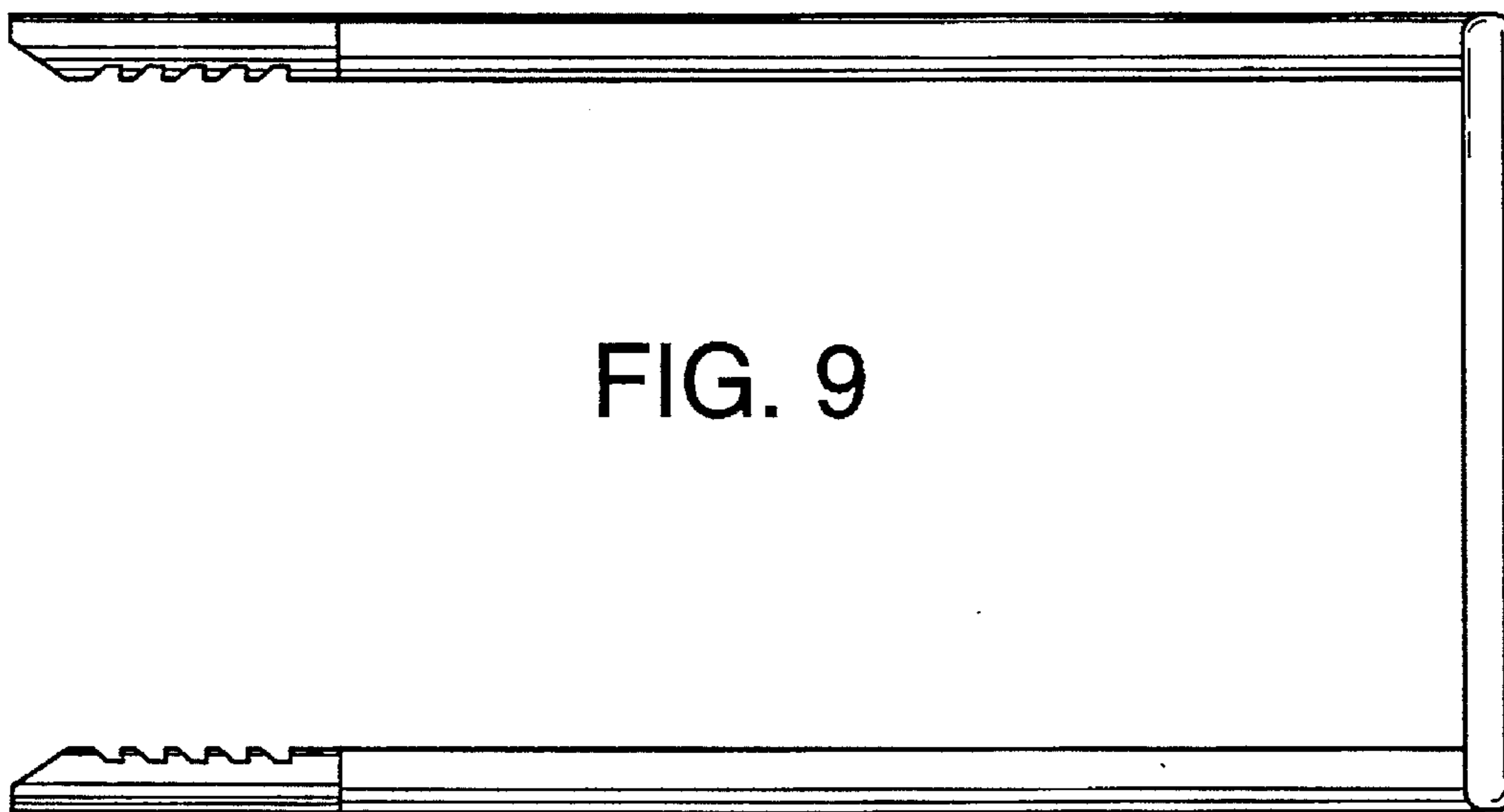


FIG. 9

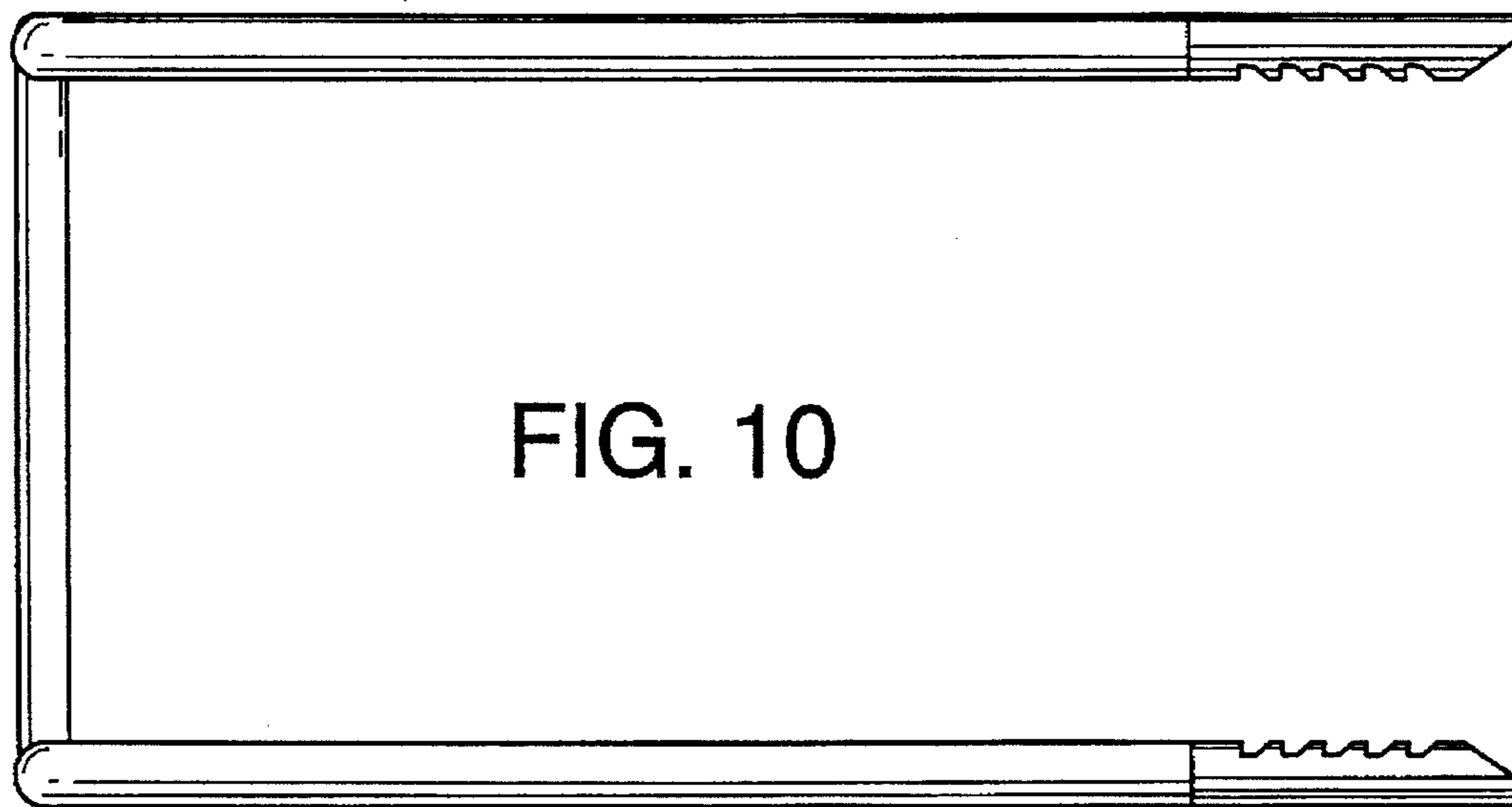


FIG. 10

FIG. 11

