



US00D379142S

# United States Patent [19] Miller

[11] Patent Number: Des. 379,142

[45] Date of Patent: \*\*\*May 13, 1997

[54] **ADJUSTABLE POLE HOLDER**

[75] Inventor: **Timothy J. Miller, Ligonier, Ind.**

[73] Assignee: **Universal Consolidated Methods, Inc., Topeka, Ind.**

[\*] Notice: The portion of the term of this patent subsequent to Jan. 2, 2010, has been disclaimed.

[\*\*] Term: **14 Years**

[21] Appl. No.: **34,714**

[22] Filed: **Jan. 12, 1995**

### Related U.S. Application Data

[63] Continuation-in-part of Ser. No. 28,230, Sep. 9, 1994, Pat. No. Des. 365,870.

[51] LOC (6) Cl. .... **08-05**

[52] U.S. Cl. .... **D8/71; D22/147**

[58] Field of Search ..... **D8/70, 71, 72; D15/140; D22/147, 148; 81/180.1; 248/514; 43/21.2**

### [56] References Cited

#### U.S. PATENT DOCUMENTS

D. 188,624	8/1960	Vixler	.....	D8/72
D. 191,595	10/1961	Harnes	.....	D8/72
D. 234,745	4/1975	McCue	.....	D8/71
D. 283,909	5/1986	Hoover	.....	D22/147
D. 284,294	6/1986	Upton	.....	D8/71

D. 293,359	12/1987	Gust et al.	.....	D22/147
D. 306,521	3/1990	Kenney	.....	D8/71
D. 330,753	11/1992	Gutierrez	.....	D22/147
D. 332,299	1/1993	Dryna et al.	.....	D22/147
D. 343,441	1/1994	Peacock	.....	D22/147
D. 345,409	3/1994	Baynard	.....	D22/147
2,988,311	6/1961	Bow	.....	248/514
5,088,224	2/1992	Gutierrez	.....	43/21.2
5,187,892	2/1993	Gutierrez	.....	43/21.2

### OTHER PUBLICATIONS

Tite-Lok Rod Holder Number 610. Undated photocopy of p. 2 of [presumed] Tite-Lok Marine Division Catalog.

Tite-Lok "C" Cleat Number 690. Undated photocopy of page of [presumed] Tite-Lok Marine Division Catalog.

*Primary Examiner*—James Gandy

*Assistant Examiner*—Robert M. Spear

*Attorney, Agent, or Firm*—Roger M. Rickert

### [57] CLAIM

The ornamental design for an adjustable pole holder, as shown and described.

### DESCRIPTION

FIG. 1 is a perspective view of the adjustable pole holder illustrating my new design;

FIG. 2 is a side elevational view of the adjustable pole holder of FIG. 1, the other side having the same appearance;

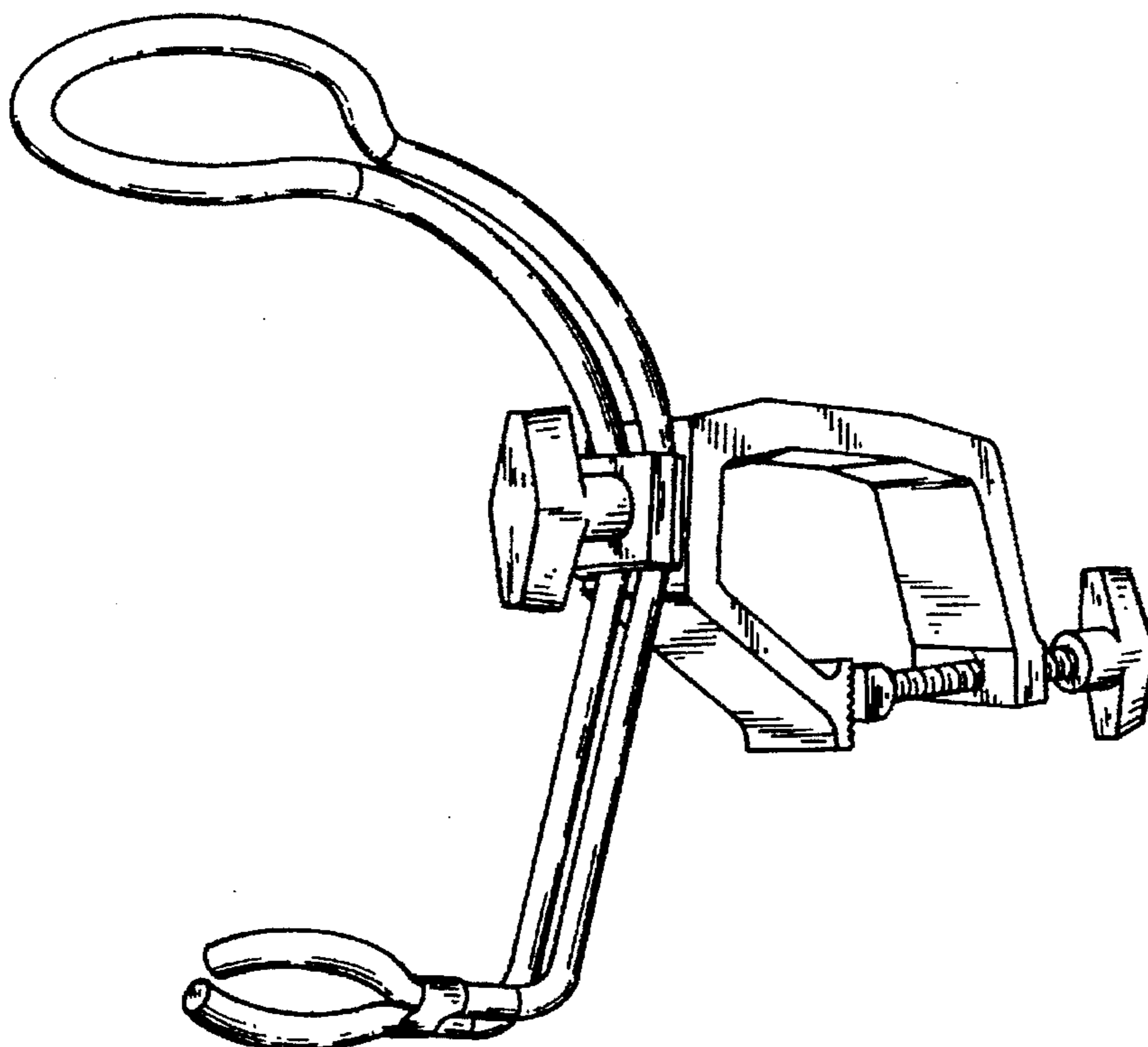
FIG. 3 is a top plan view thereof;

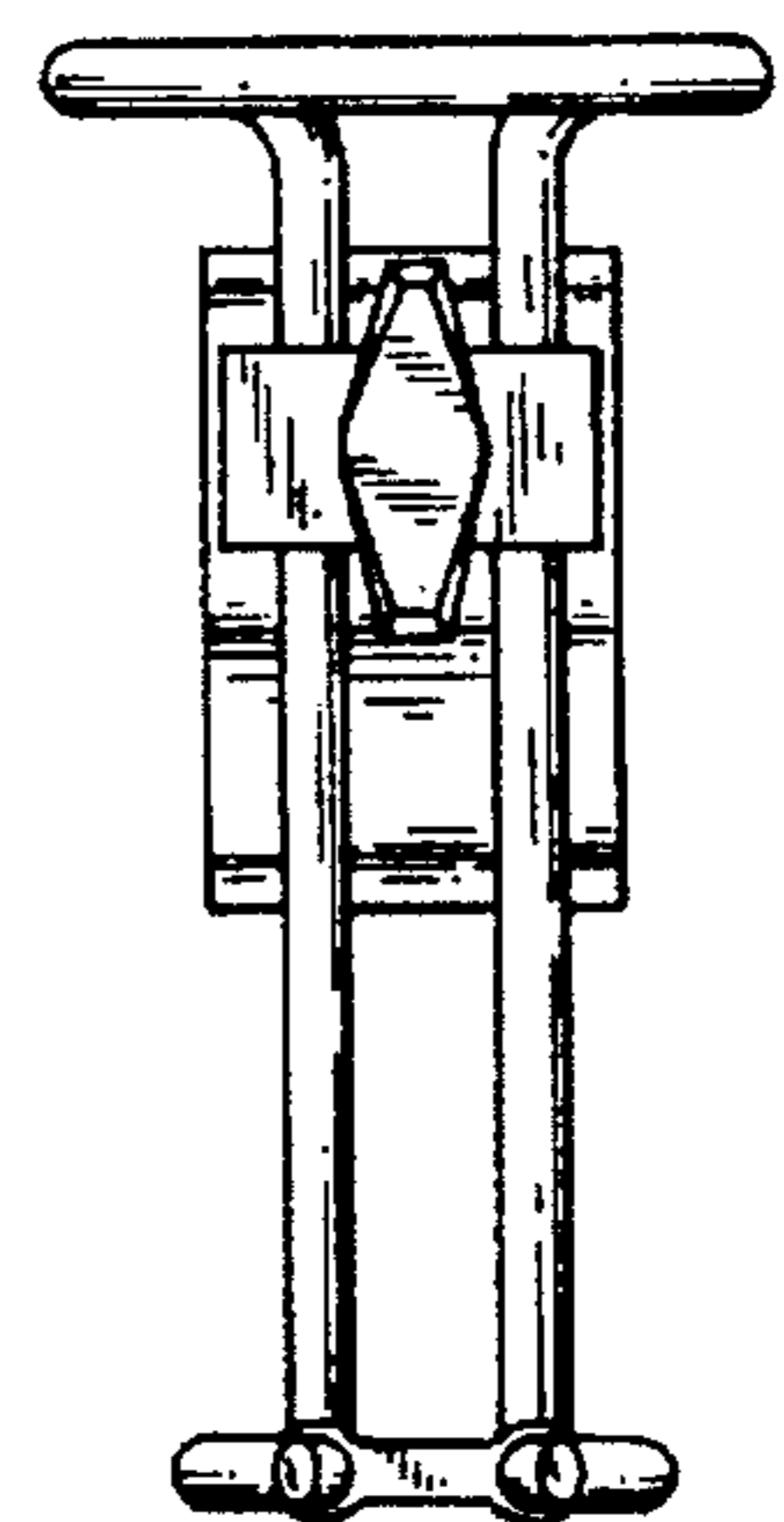
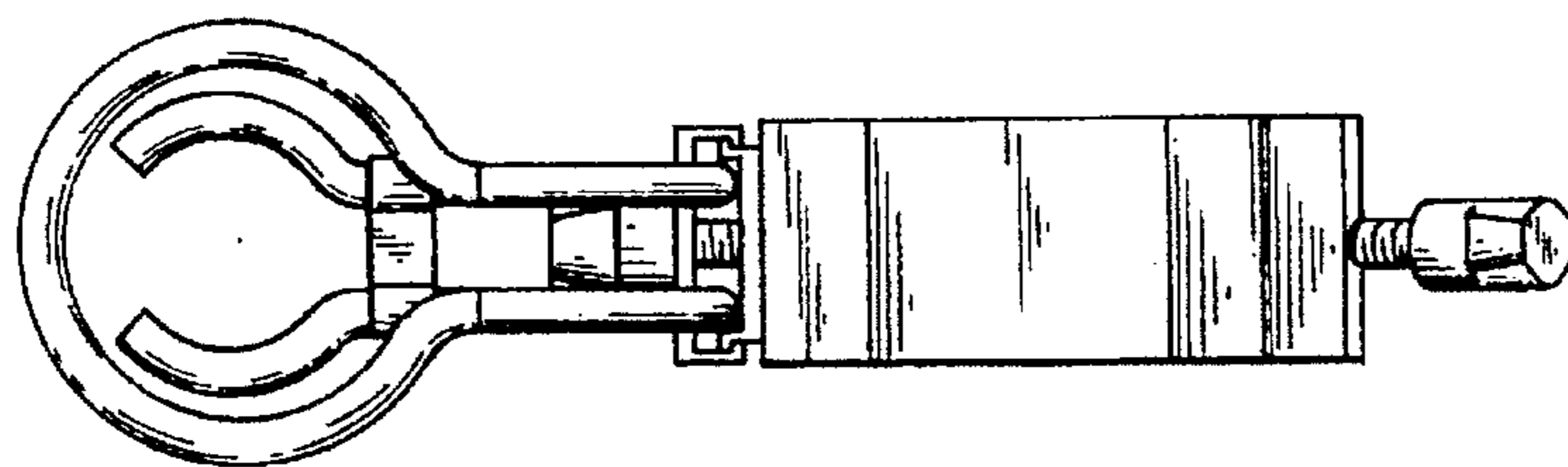
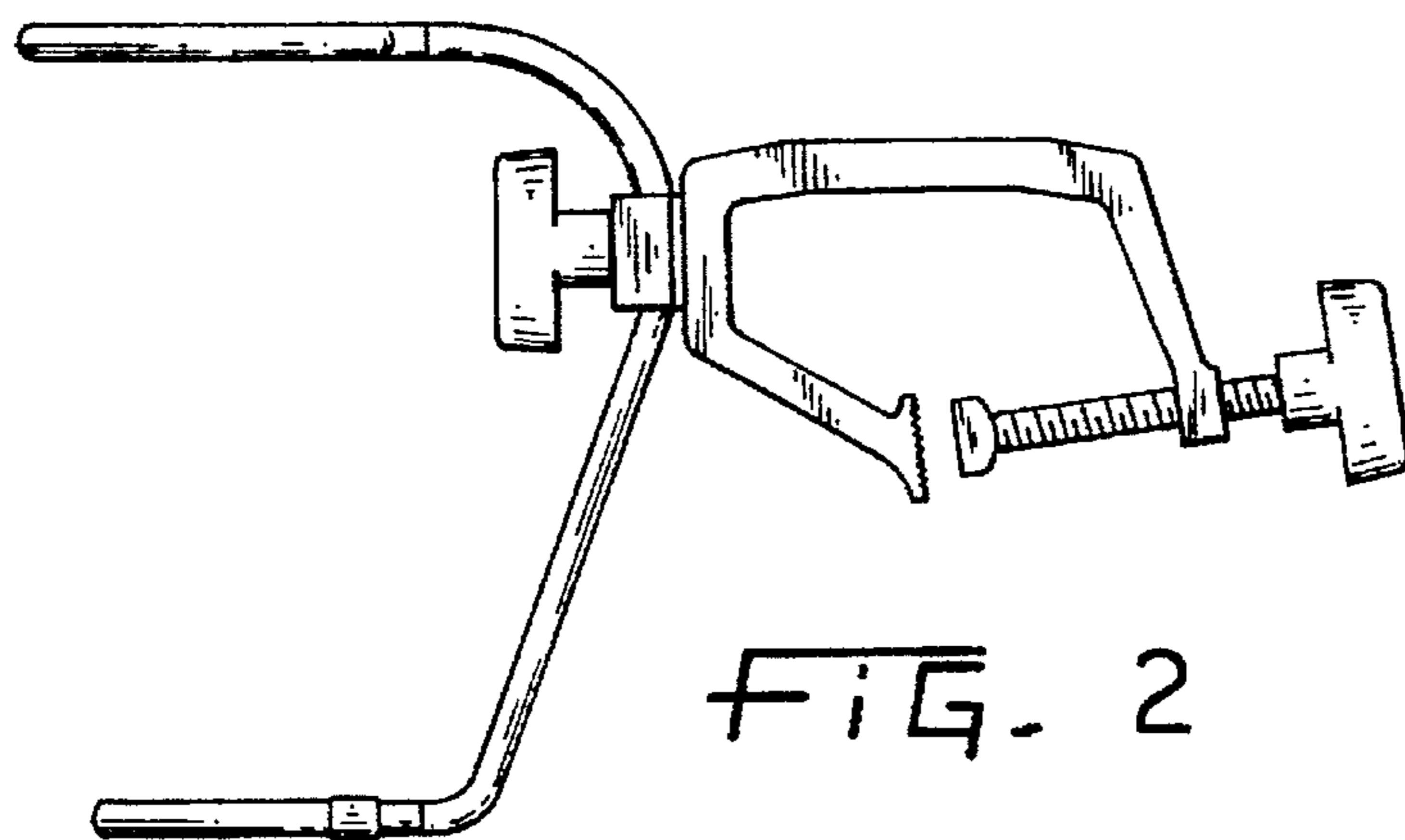
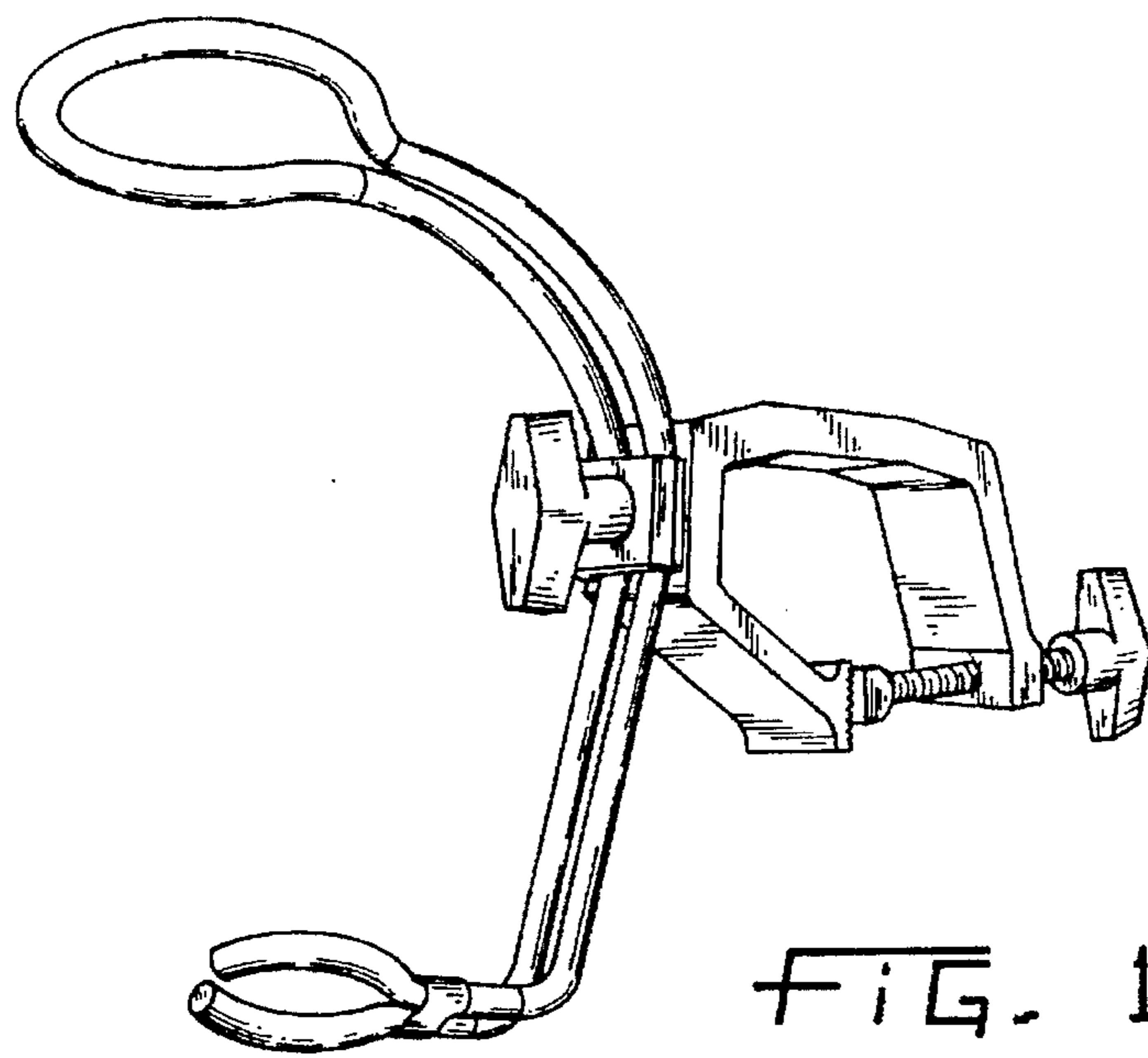
FIG. 4 is a front end elevational view thereof;

FIG. 5 is a rear end elevational view thereof; and,

FIG. 6 is a bottom plan view thereof.

**1 Claim, 2 Drawing Sheets**





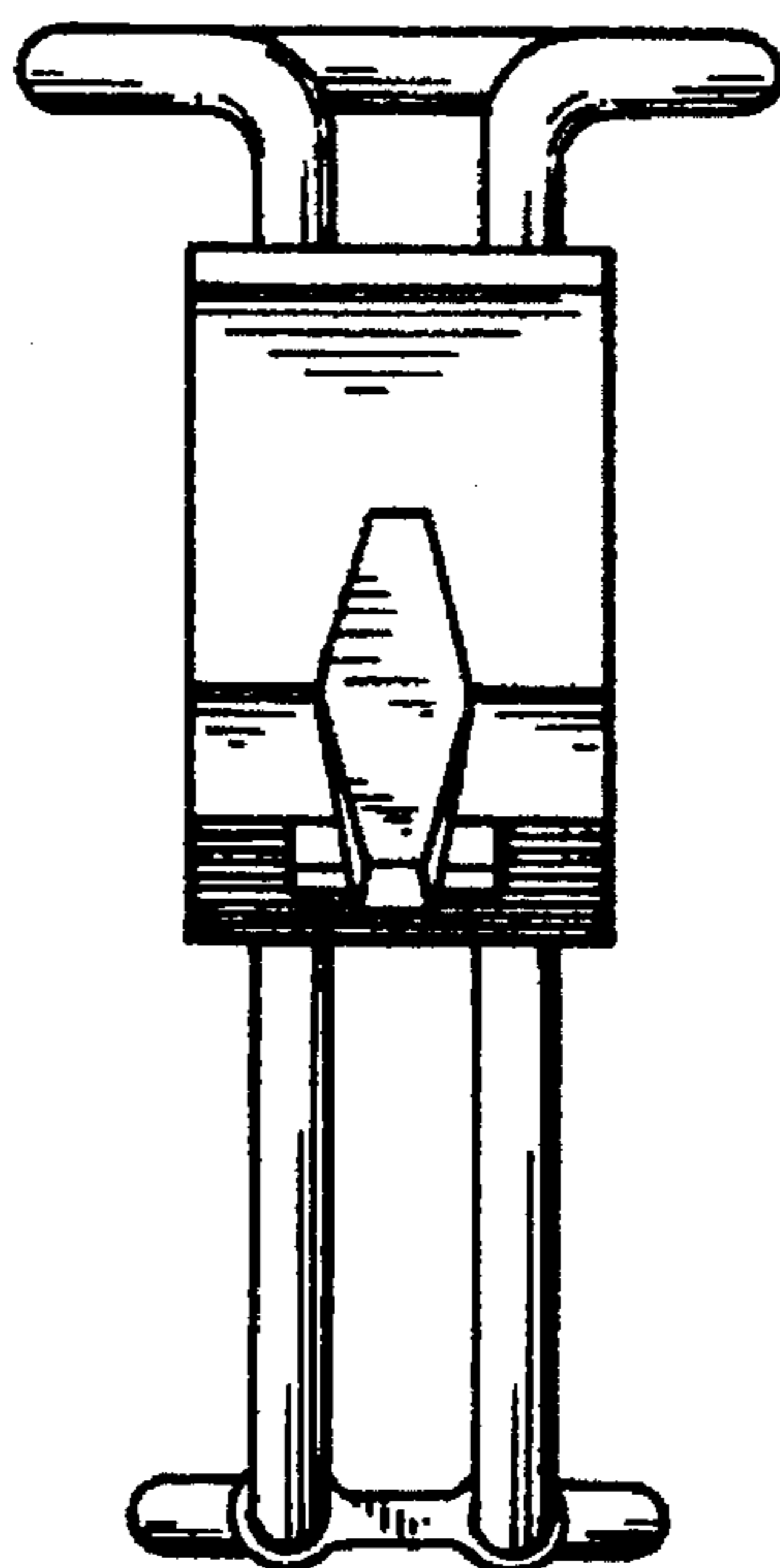


FIG. 5

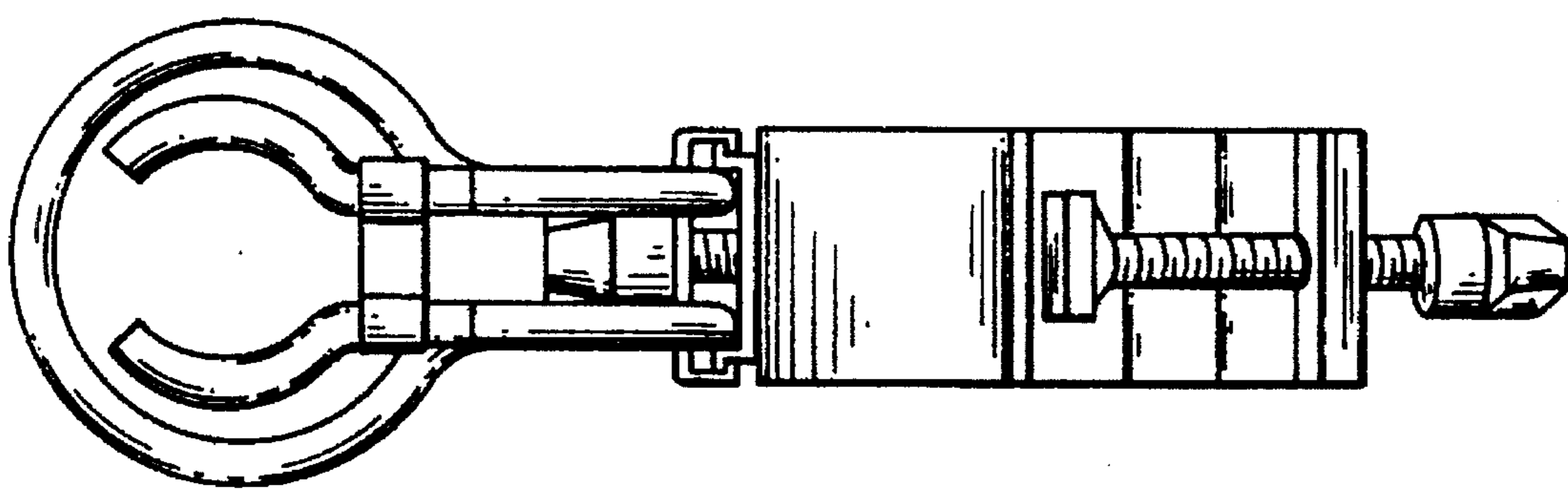


FIG. 6