



US00D379139S

United States Patent [19]

Berde

[11] Patent Number: **Des. 379,139**

[45] Date of Patent: ****May 13, 1997**

[54] **COMBINED LIQUID EXTRACTION AND LID REMOVAL TOOL FOR CANS**

[76] Inventor: **Stan Berde**, 146 Avila, San Francisco, Calif. 94123

[**] Term: **14 Years**

[21] Appl. No.: **48,584**

[22] Filed: **Jan. 4, 1996**

[51] LOC (6) Cl. **07-04**

[52] U.S. Cl. **D7/666**

[58] Field of Search D7/666, 674, 686, D7/687; 100/104, 125, 234, 243; 294/12, 16, 28, 29, 32, 118

[56] **References Cited**

U.S. PATENT DOCUMENTS

D. 358,304 5/1995 Hoddinott D7/666
4,355,574 10/1982 Bond et al. D7/666 X

5,272,969 12/1993 McDonald D7/666 X

Primary Examiner—Terry A. Wallace

Attorney, Agent, or Firm—Carol D. Titus; Leary, Titus & Aiello

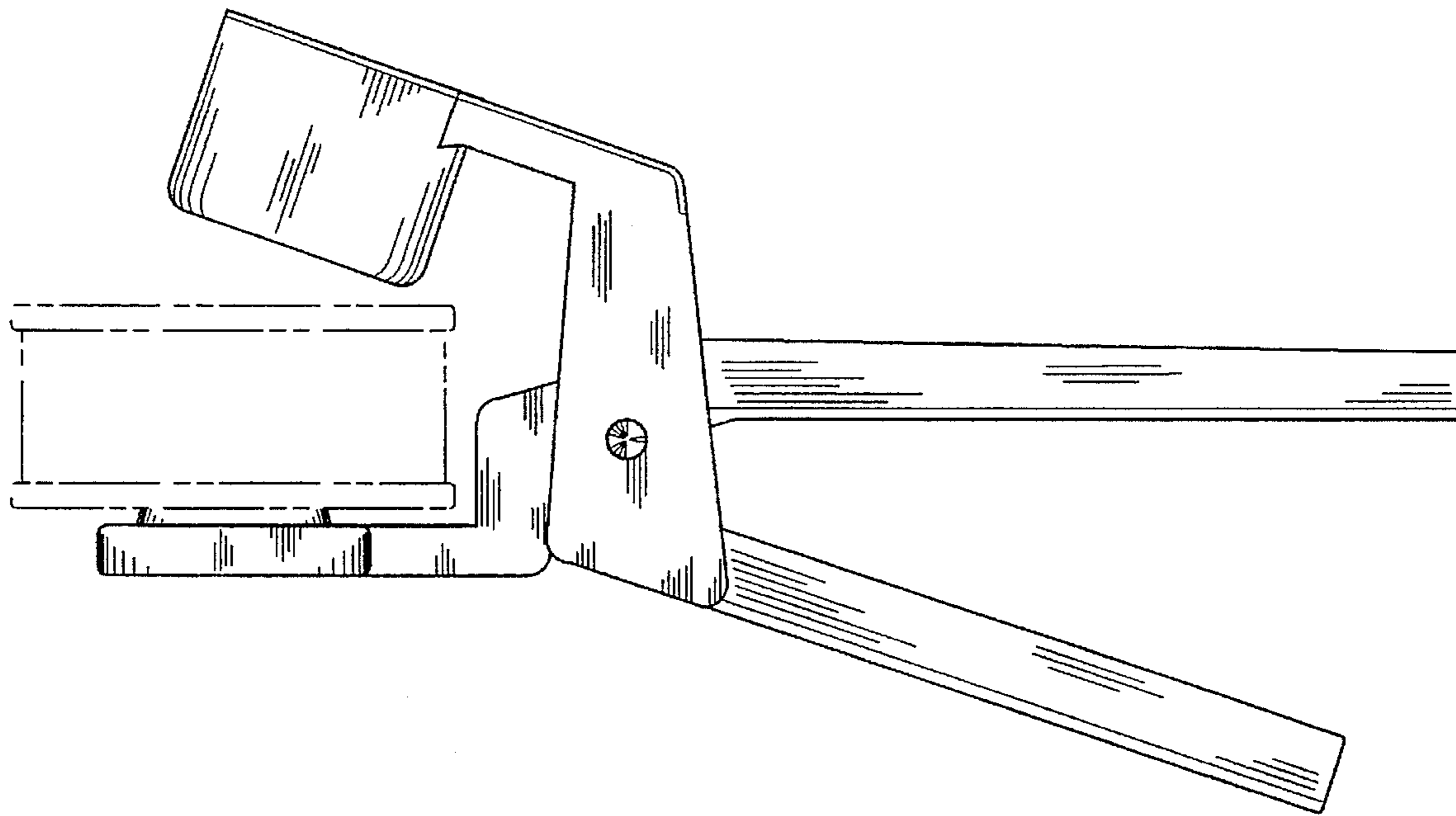
[57] **CLAIM**

The ornamental design for a combined liquid extraction and lid removal tool for cans, as shown and described.

DESCRIPTION

FIG. 1 is a side view of the liquid extraction and lid removal device for cans as it would be used with a standard can which is shown for environmental purposes only and forms no part of the claimed invention; FIG. 2 is an exploded side view thereof; FIG. 3 is a rear view thereof; FIG. 4 is a front view thereof; FIG. 5 is a bottom view thereof; and, FIG. 6 is a top view thereof.

1 Claim, 4 Drawing Sheets



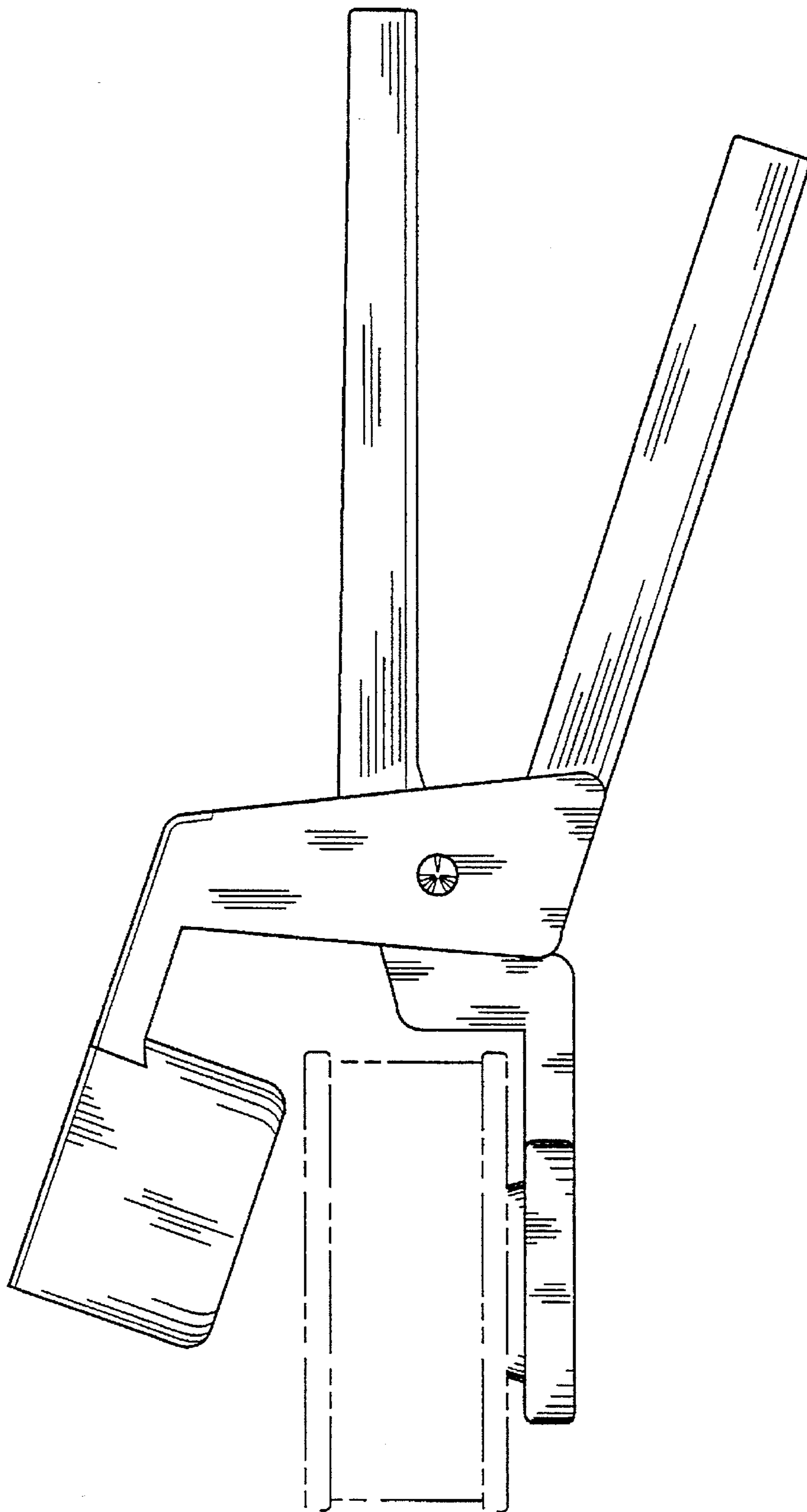


FIG 1

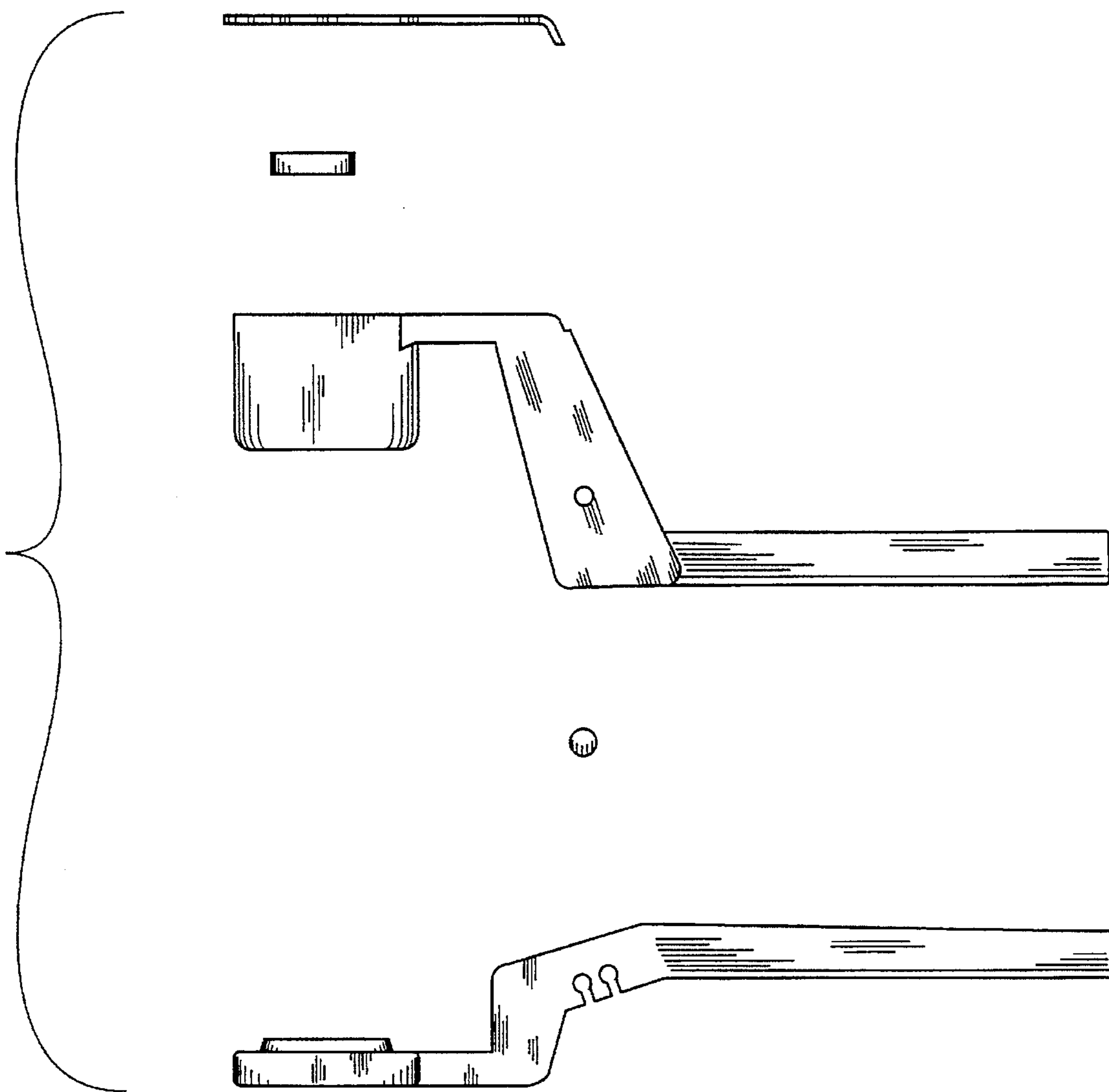


FIG 2

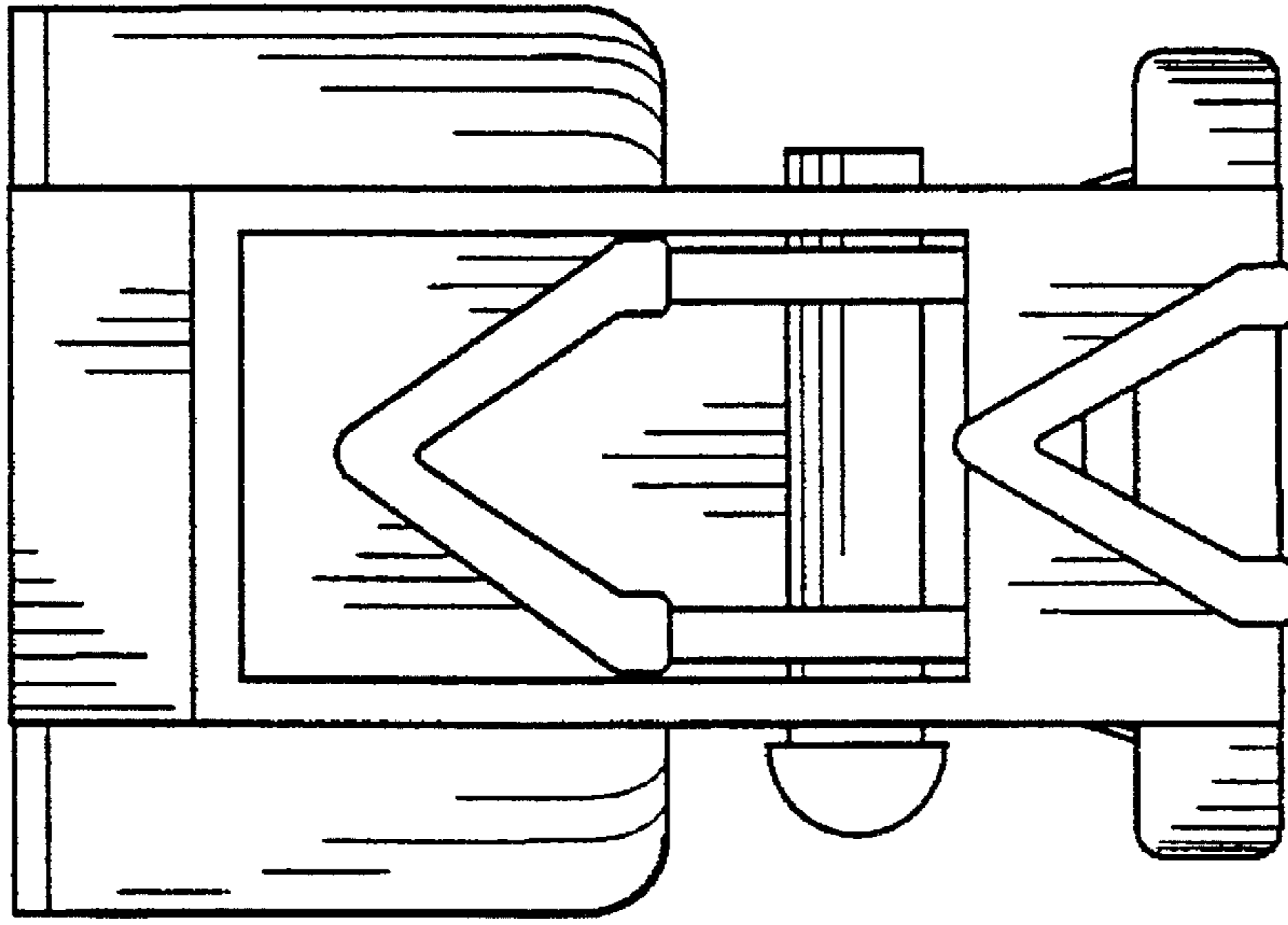


FIG 3

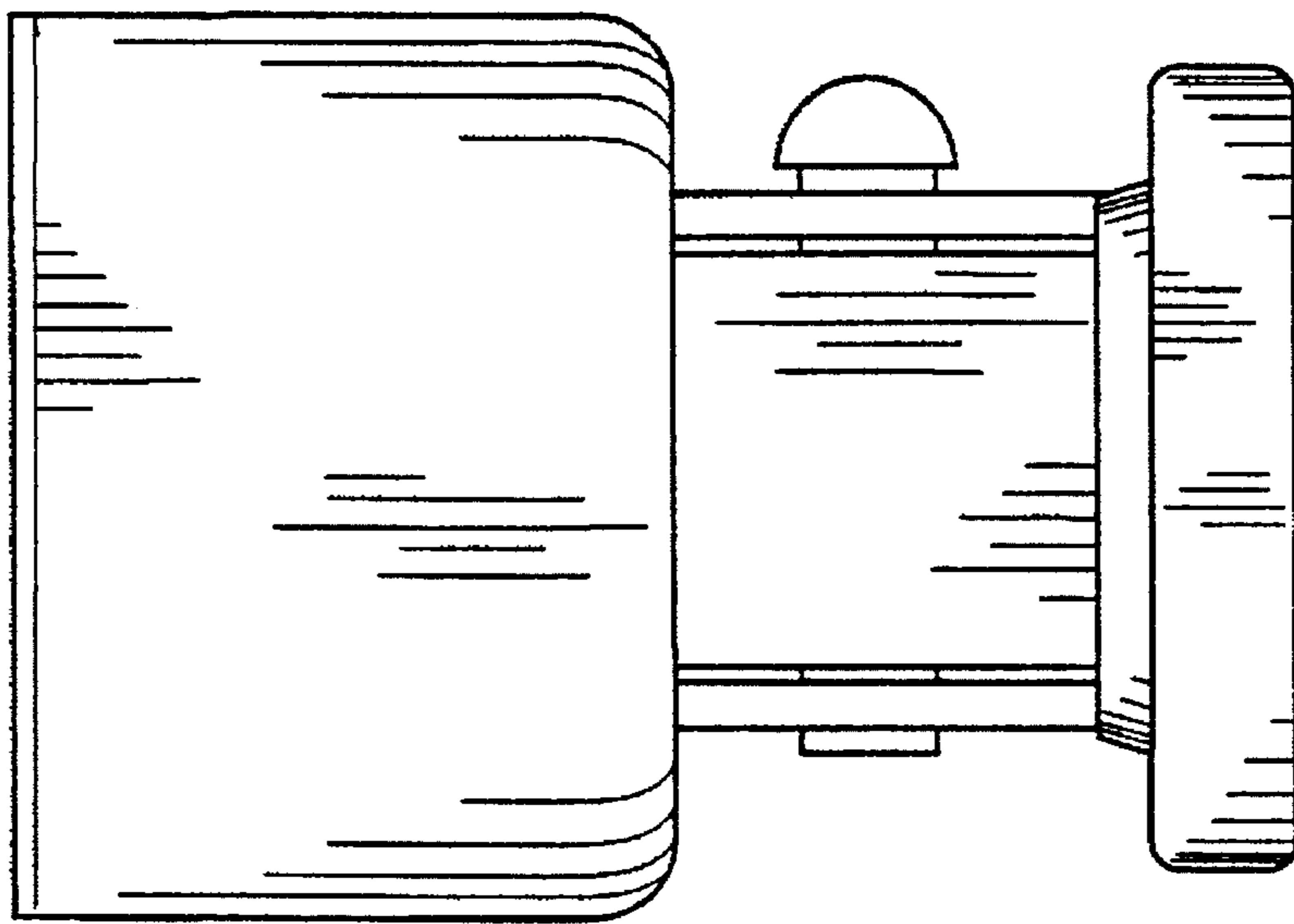


FIG 4

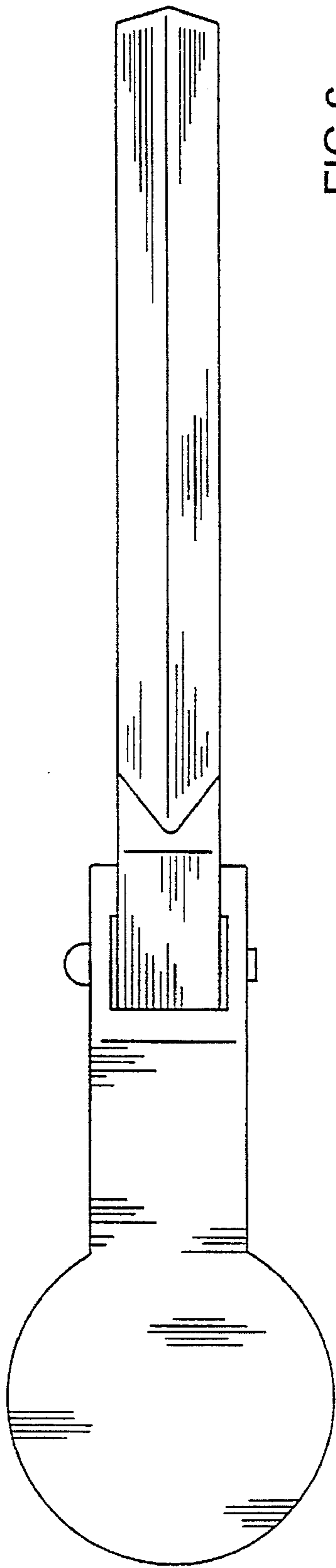


FIG 6

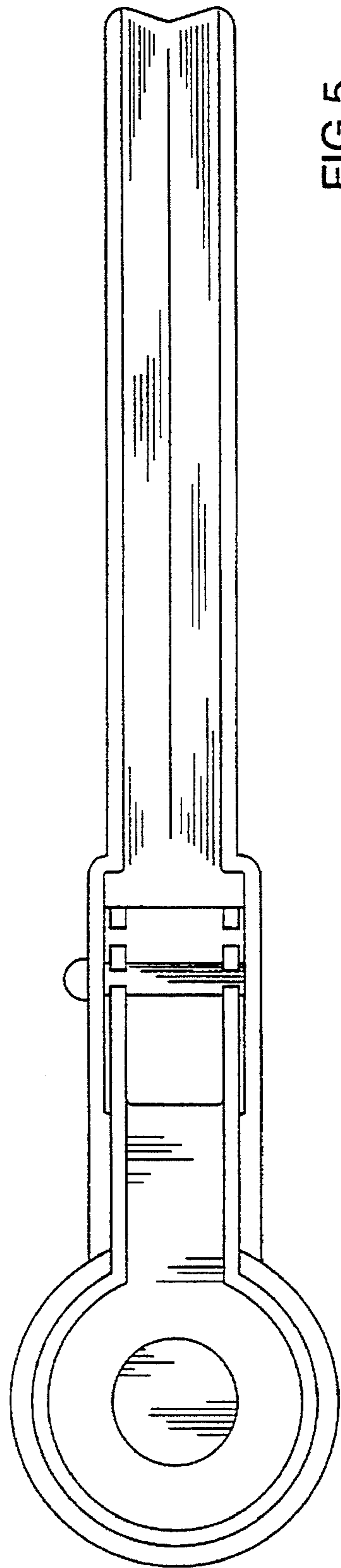


FIG 5