



US00D379138S

United States Patent [19]
Carlson

[11] **Patent Number: Des. 379,138**

[45] **Date of Patent: **May 13, 1997**

[54] **FOOD CONTAINER**

[76] **Inventor: Arthur R. Carlson, 23 Leura Grove, East Hawthorn, Victoria, Australia**

[**] **Term: 14 Years**

[21] **Appl. No.: 42,742**

[22] **Filed: Aug. 16, 1995**

[51] **LOC (6) Cl. 07-01**

[52] **U.S. Cl. D7/629; D9/432**

[58] **Field of Search D7/391, 538-549, D7/602, 629; D9/414, 424, 425, 430-432; 220/270, 281, 306, 307, 352, 355**

[56] **References Cited**

U.S. PATENT DOCUMENTS

| | | | |
|------------|---------|------------------------|----------|
| D. 235,195 | 5/1975 | Sauey, Jr. | D7/605 X |
| D. 279,952 | 8/1985 | Daenen et al. | D7/629 |
| D. 281,048 | 10/1985 | Wolff | D7/629 X |
| D. 367,609 | 3/1996 | Frank et al. | D7/629 X |
| 4,819,824 | 4/1989 | Longbottom et al. | D7/629 X |

Primary Examiner—Terry A. Wallace
Attorney, Agent, or Firm—Gray Cary Ware & Freidenrich

[57] **CLAIM**

The ornamental design for a food container, as shown and described.

DESCRIPTION

FIG. 1 is a top, front, right side perspective view of a food container showing my new design;

FIG. 2 is an exploded top, rear, left side perspective view thereof;

FIG. 3 is an exploded bottom, front, right side perspective view thereof;

FIG. 4 is a top plan view thereof;

FIG. 5 is a front elevation view thereof;

FIG. 6 is a right side elevation view thereof;

FIG. 7 is a bottom plan view thereof;

FIG. 8 is a top plan view thereof with the cover removed for clarity of illustration;

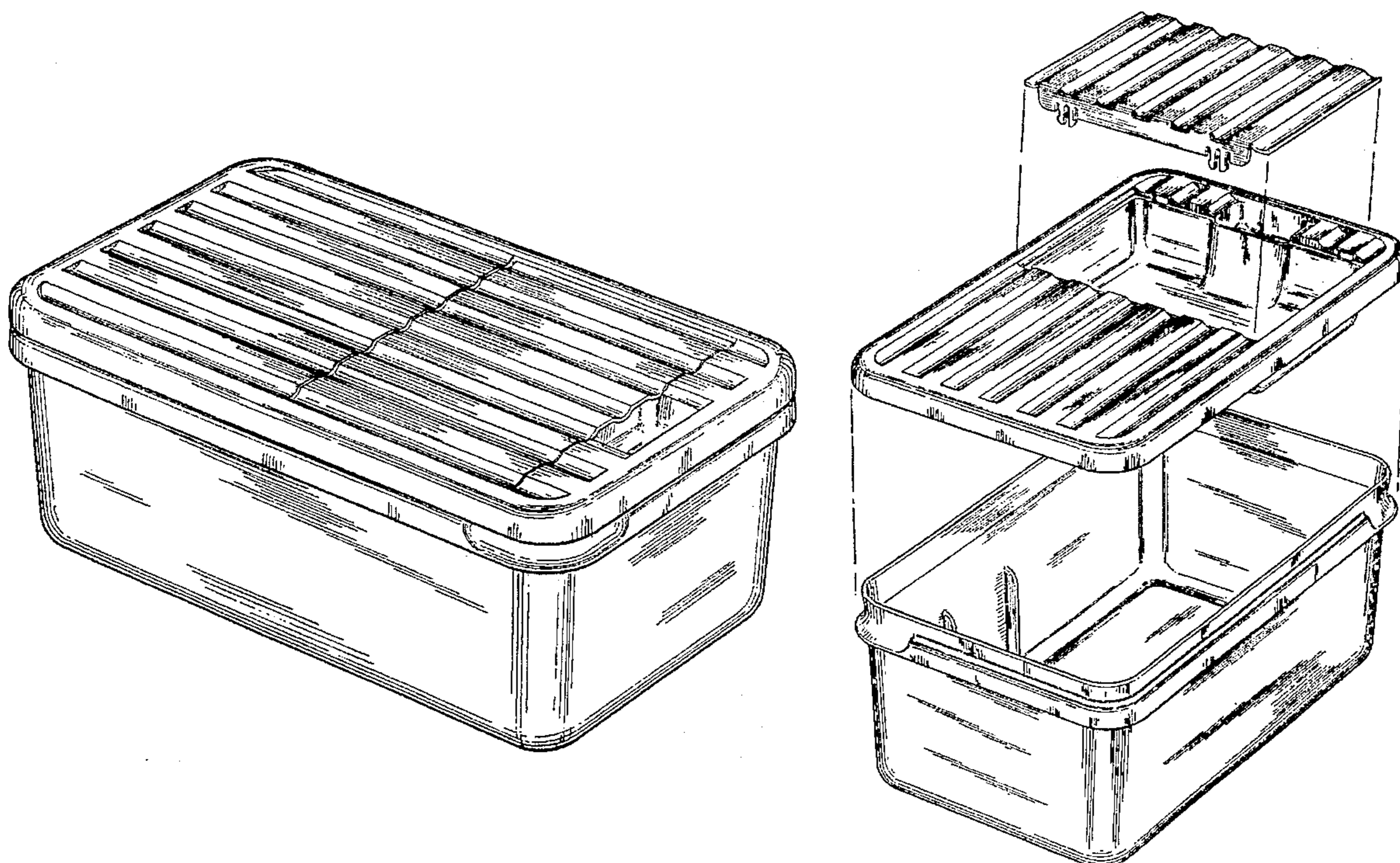
FIG. 9 is a cross-section view thereof taken along line 9—9 of FIG. 4;

FIG. 10 is a cross-section view thereof taken along line 10—10 of FIG. 4;

FIG. 11 is a cross-section view thereof taken along line 11—11 of FIG. 4; and,

FIG. 12 is a cross-section view thereof taken along line 12—12 of FIG. 4.

1 Claim, 11 Drawing Sheets



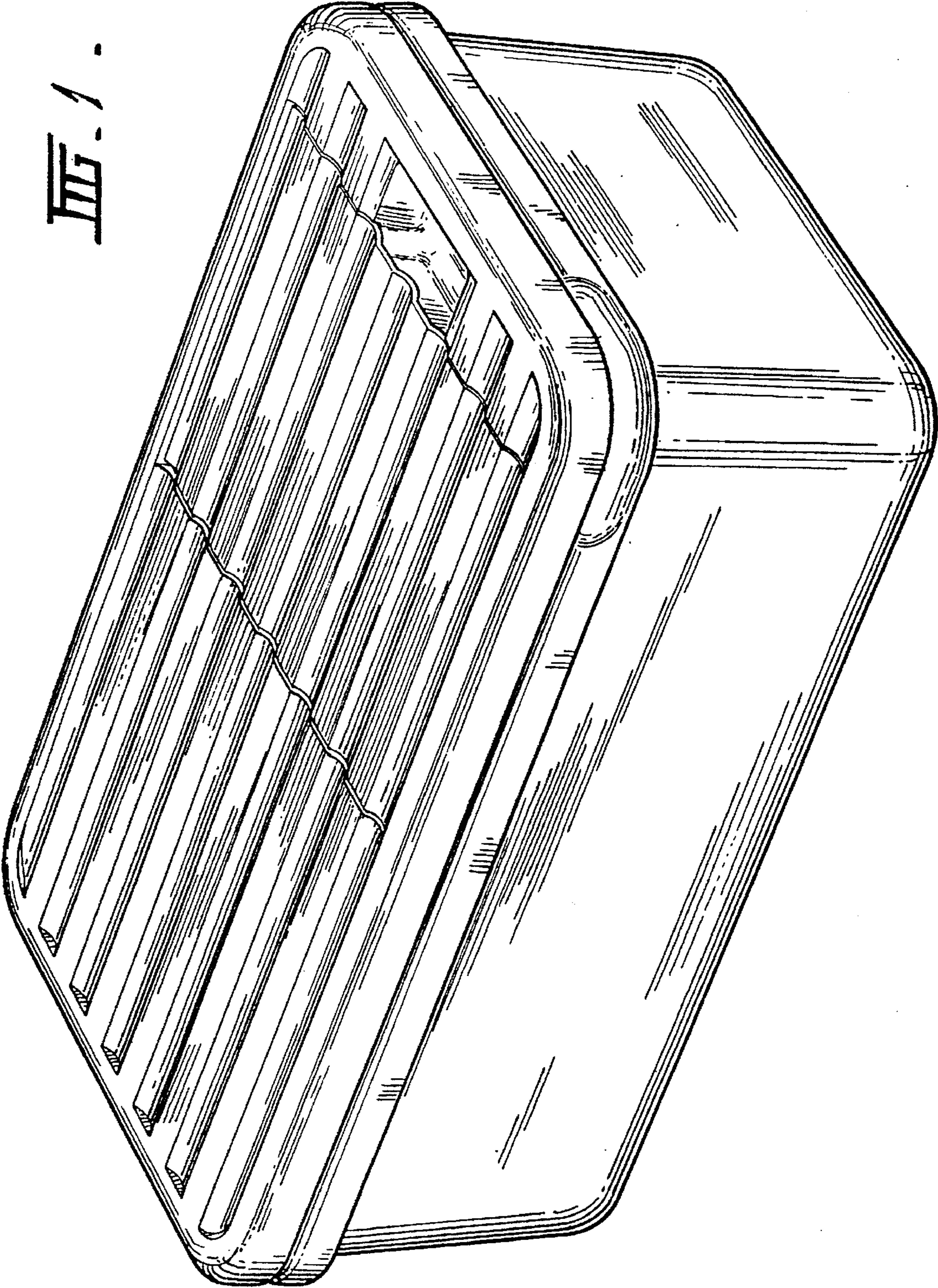
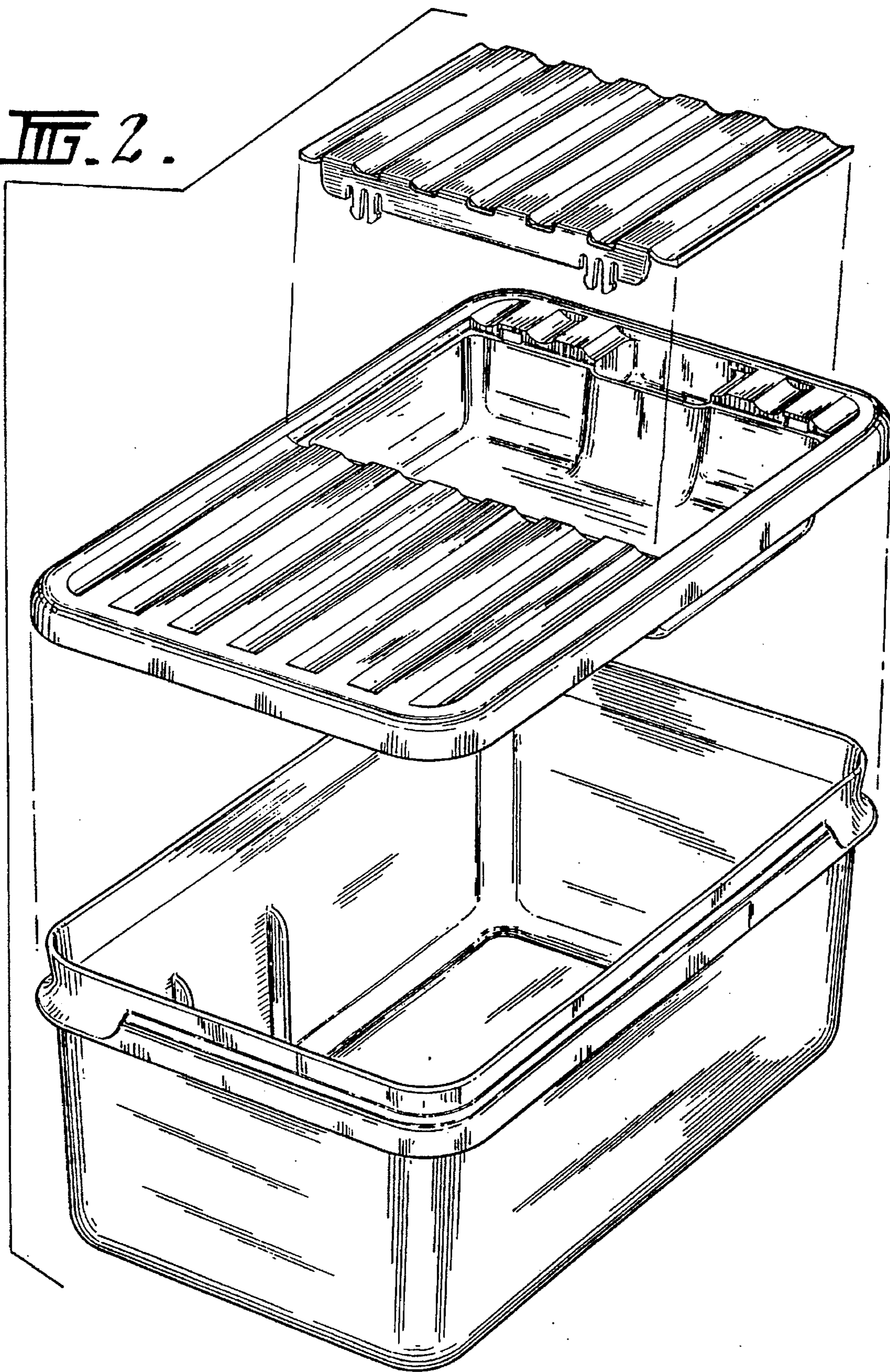
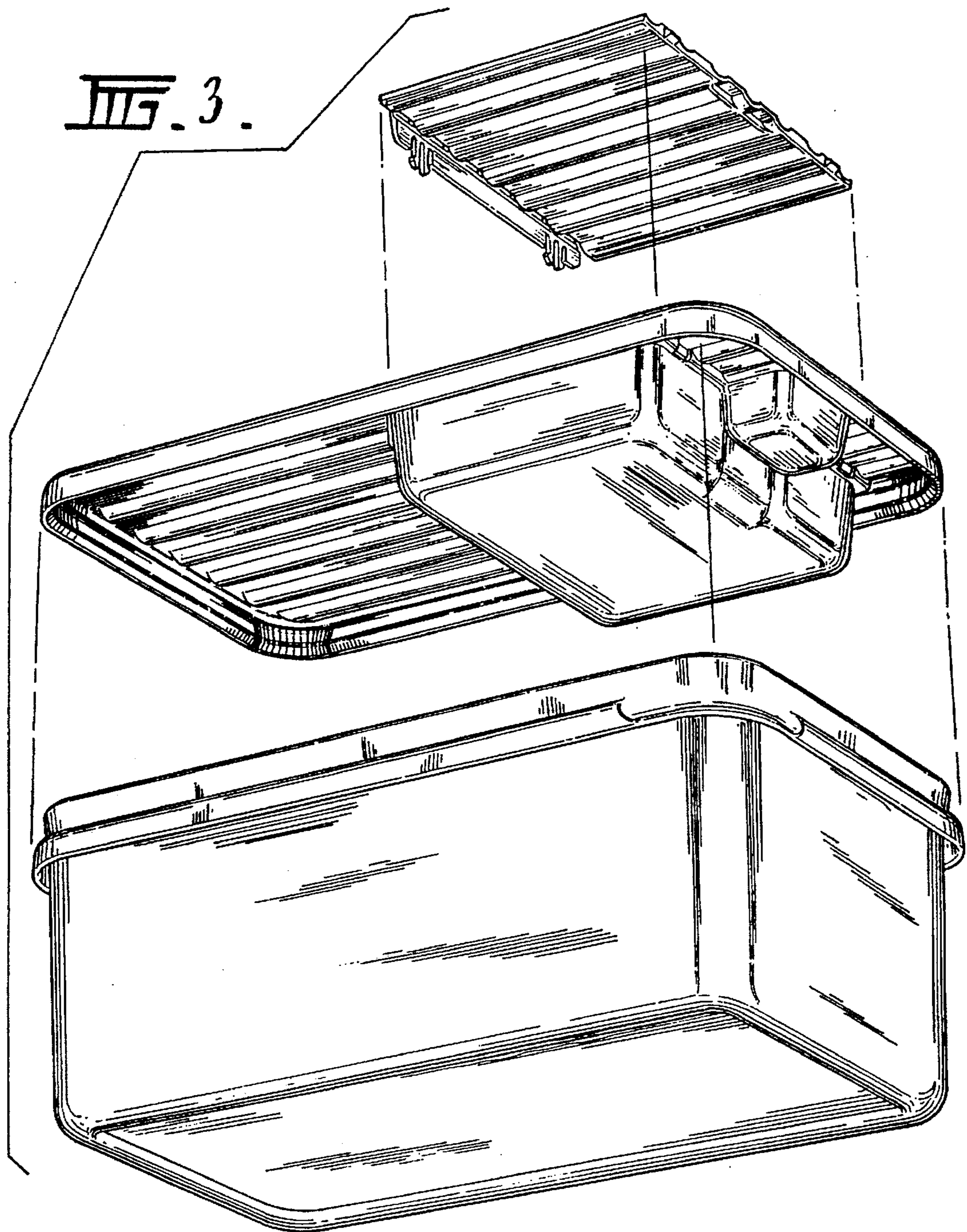


FIG. 2.





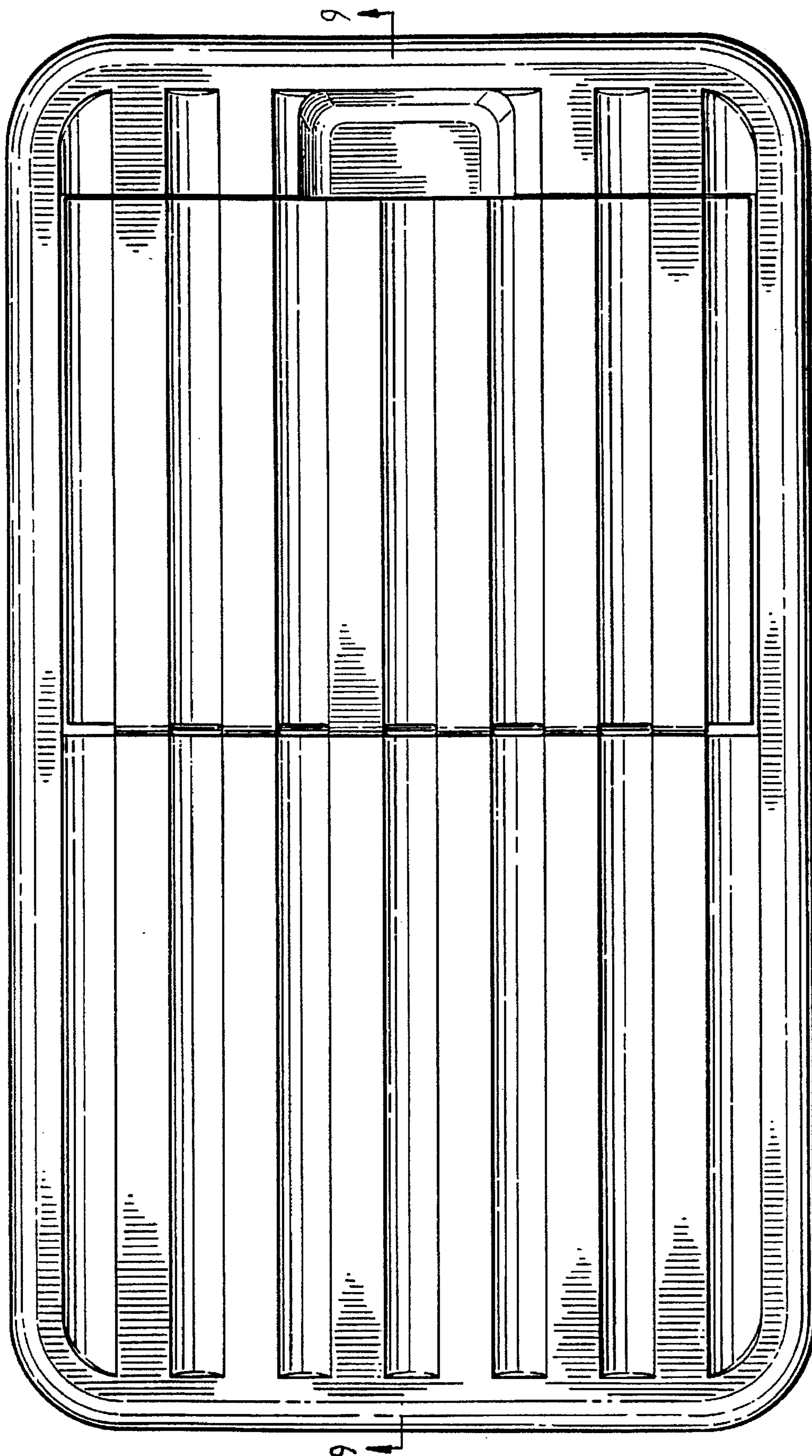


FIG. 4.

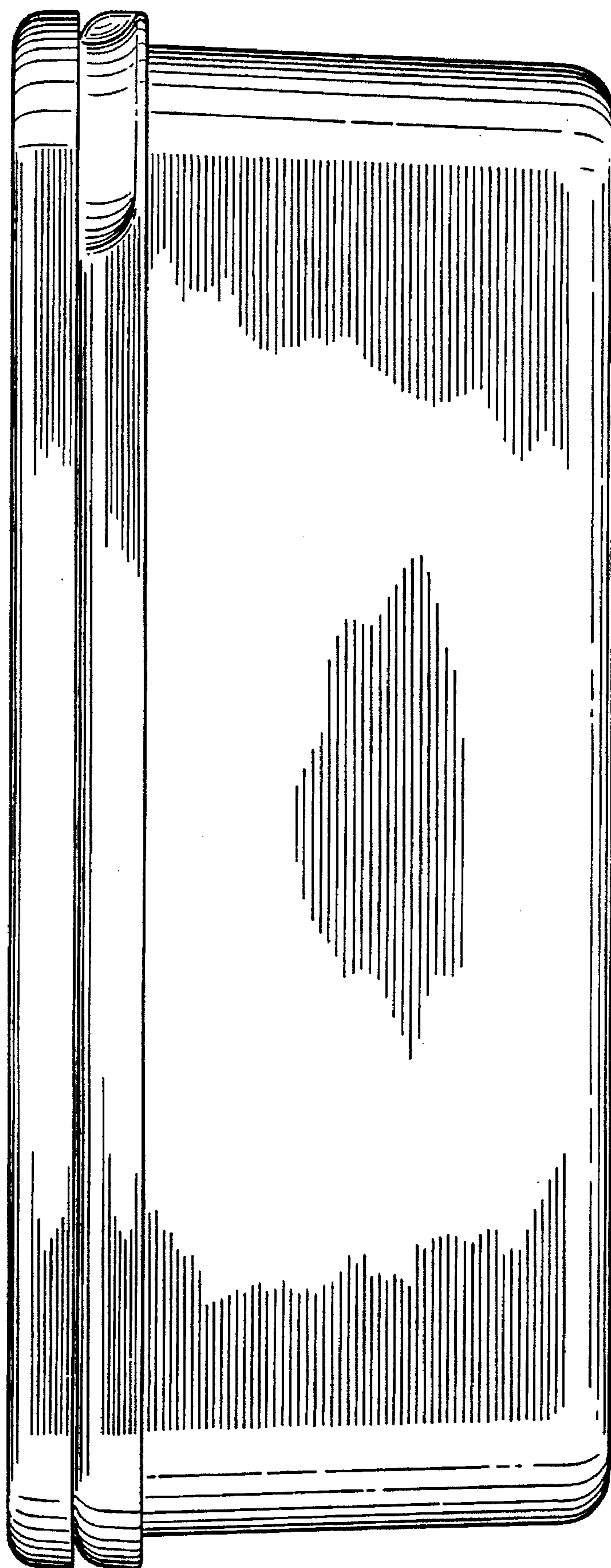


FIG. 5.

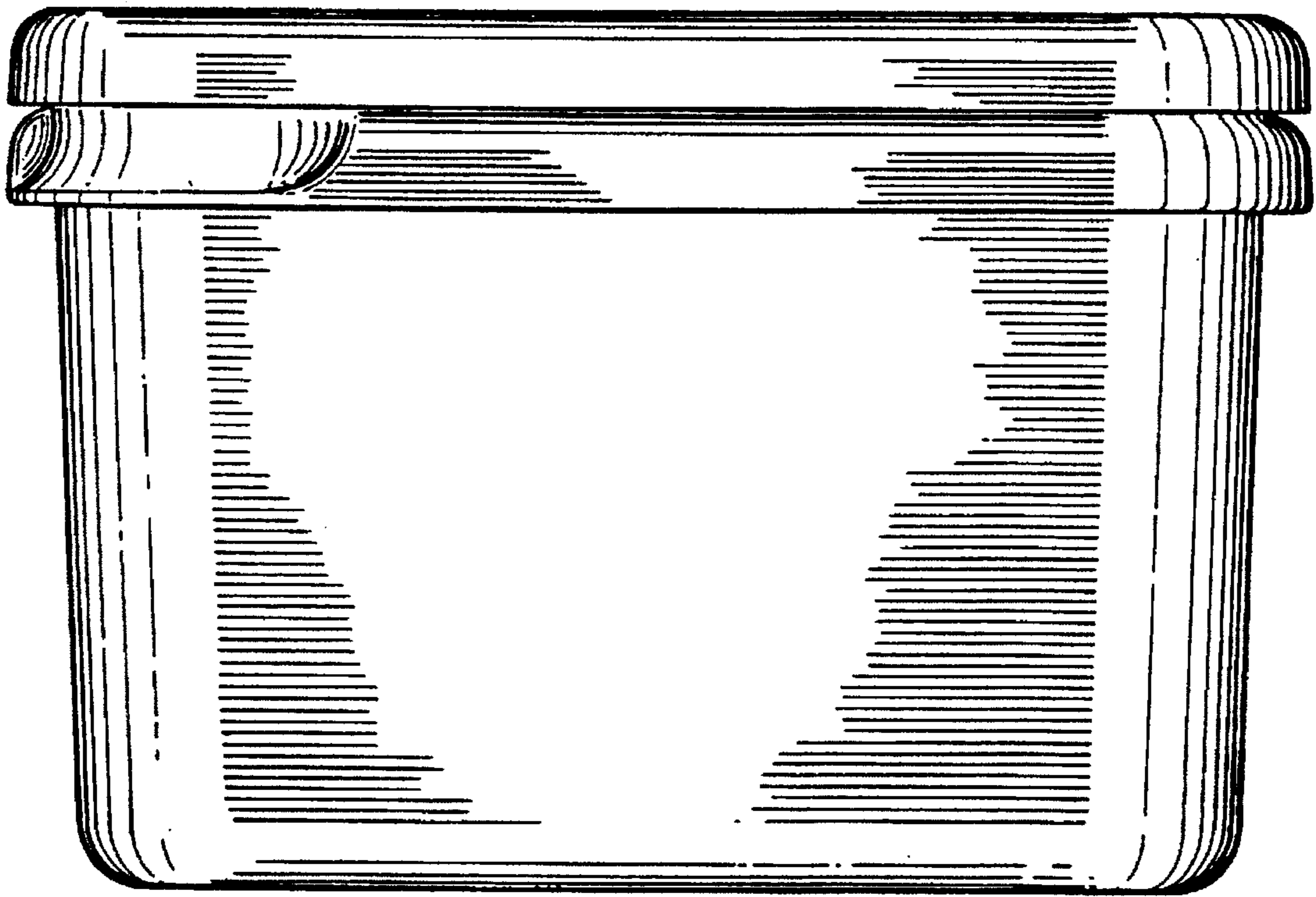


FIG. 6.

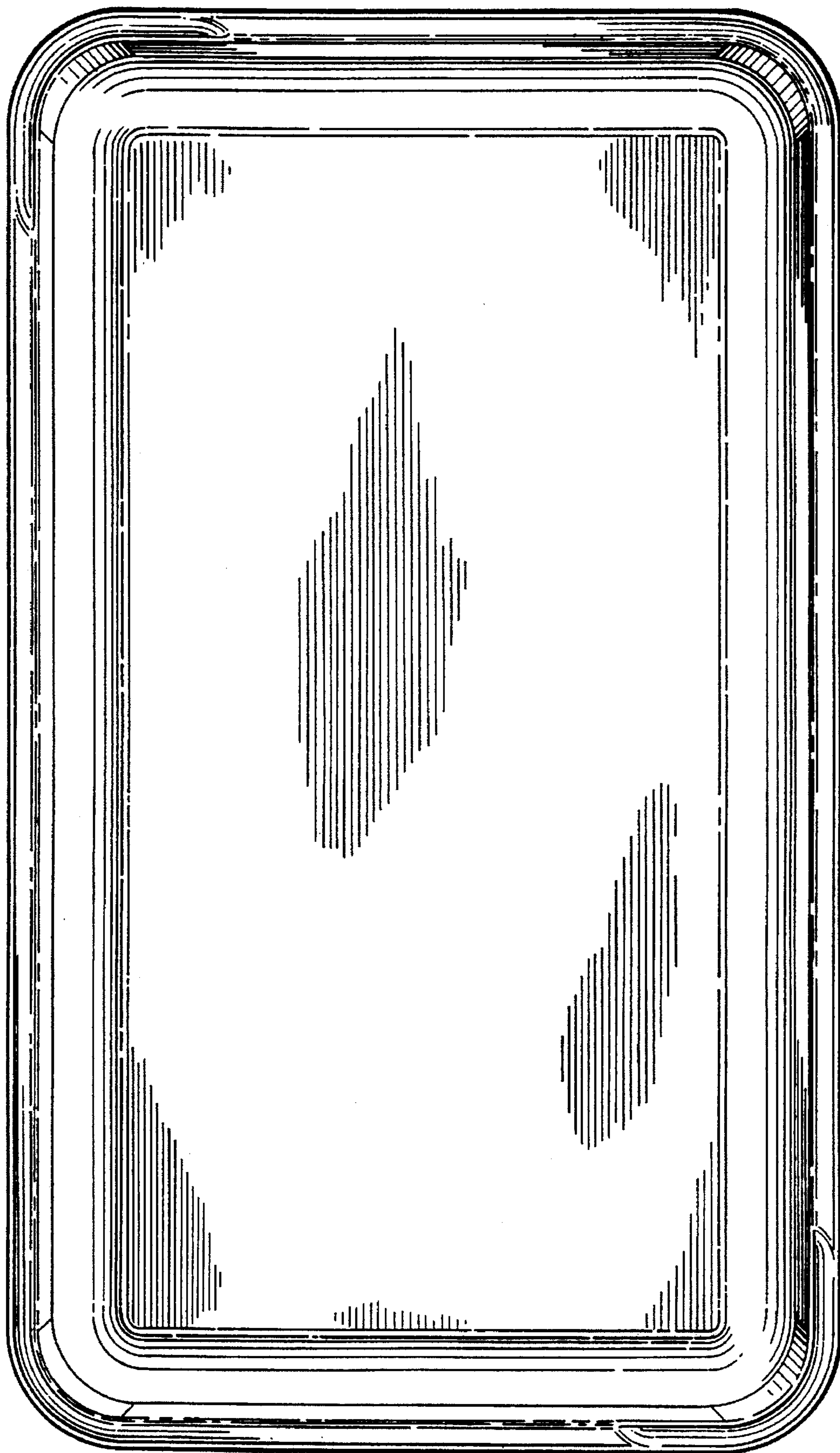


FIG. 7.

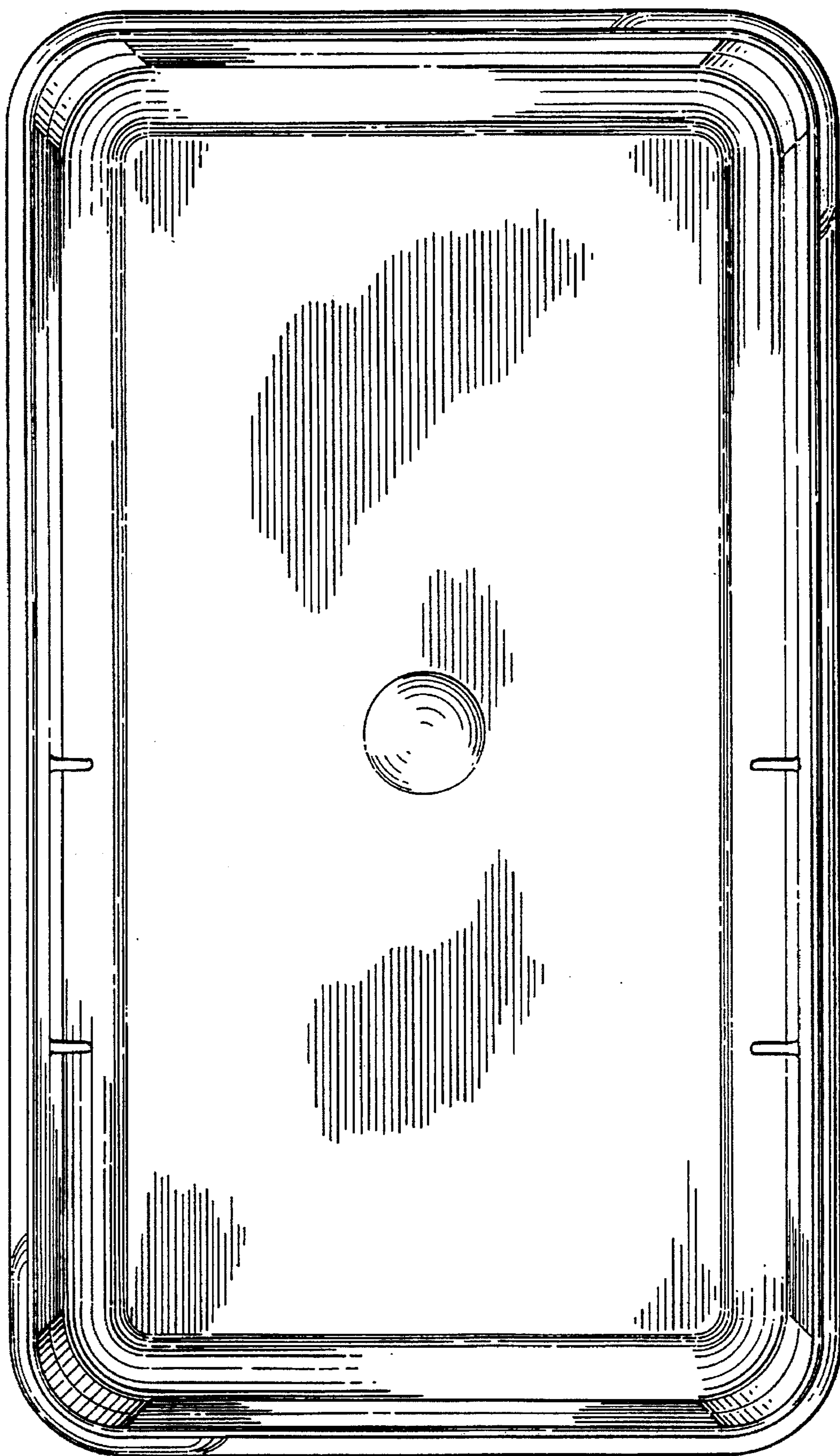
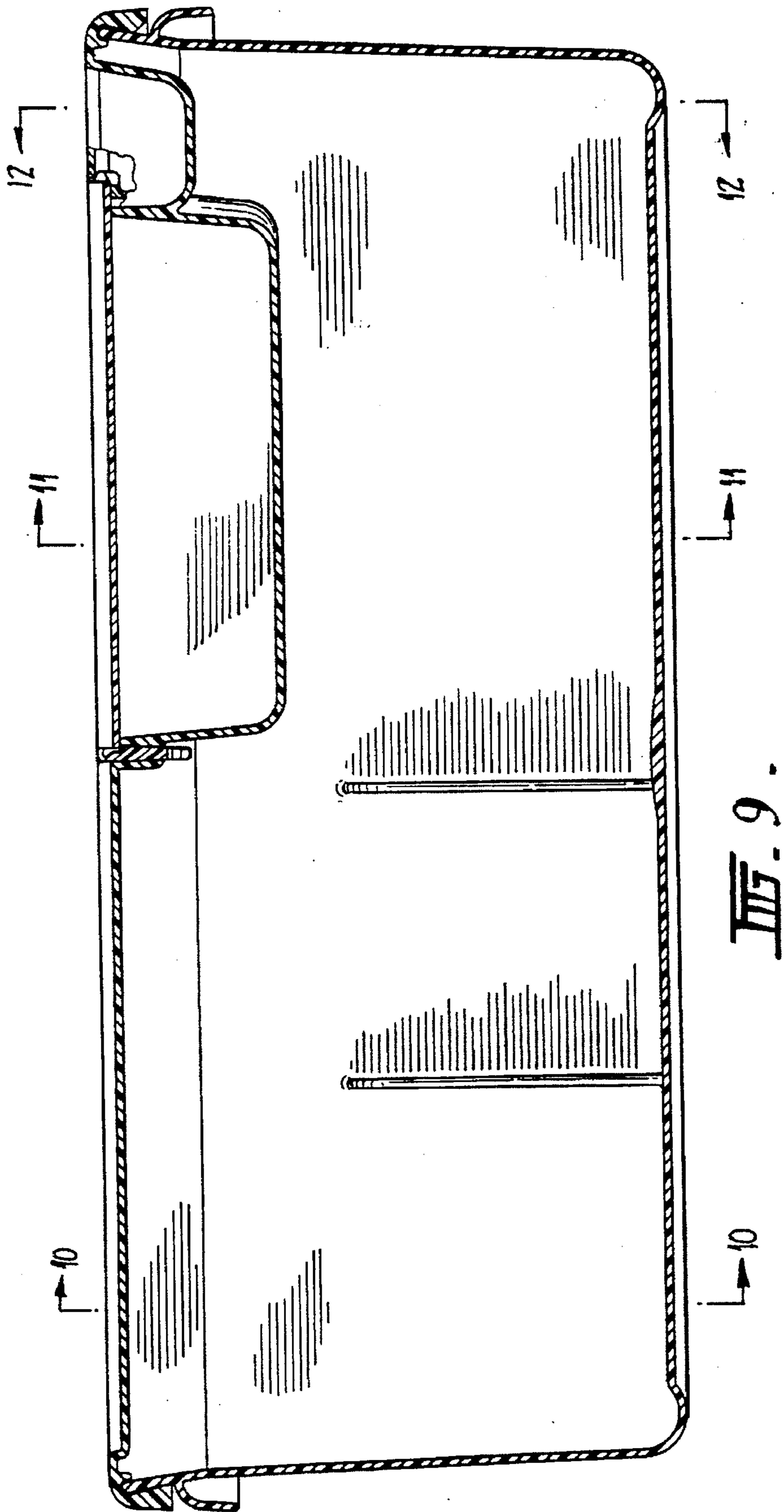


FIG. 8.



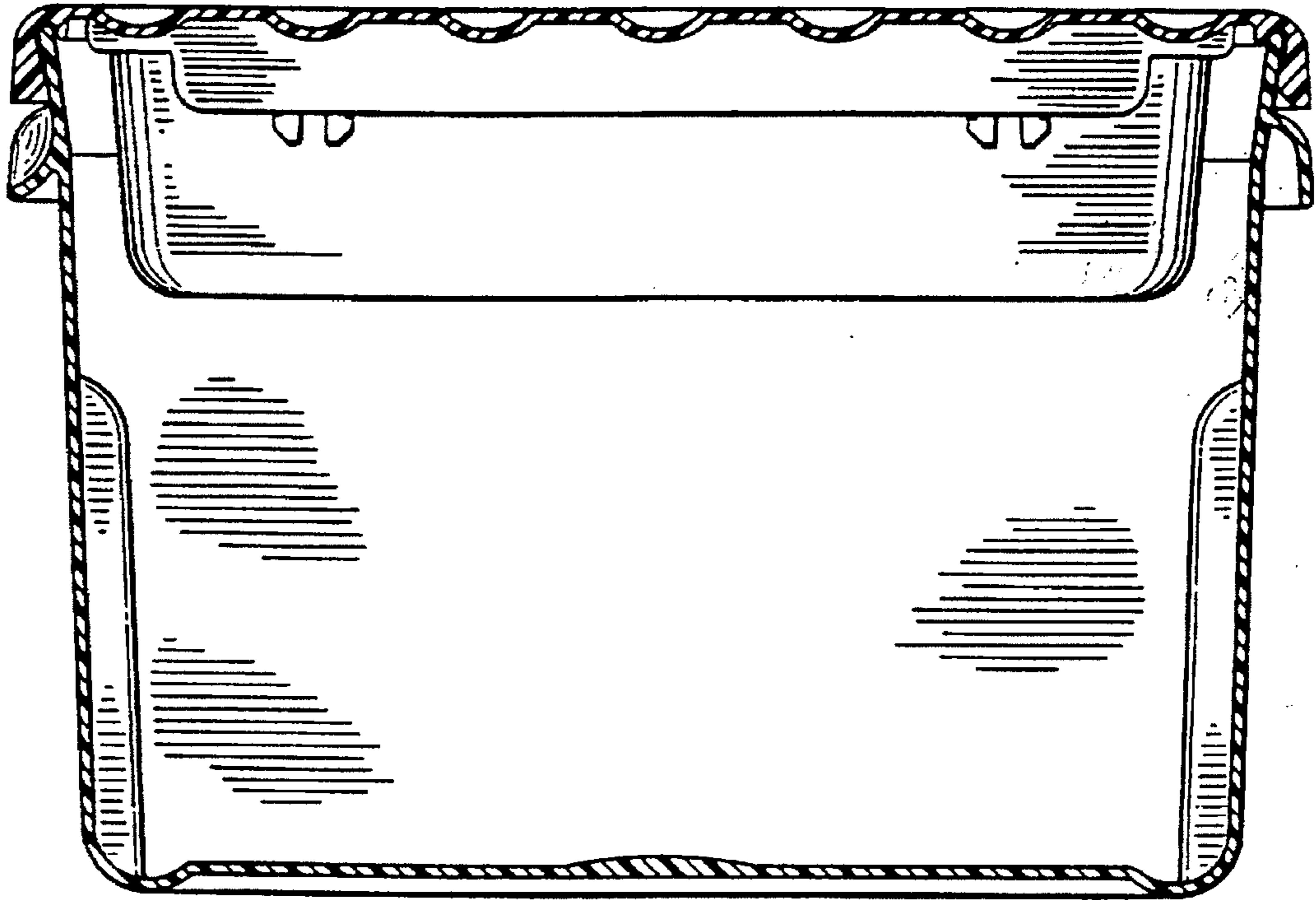
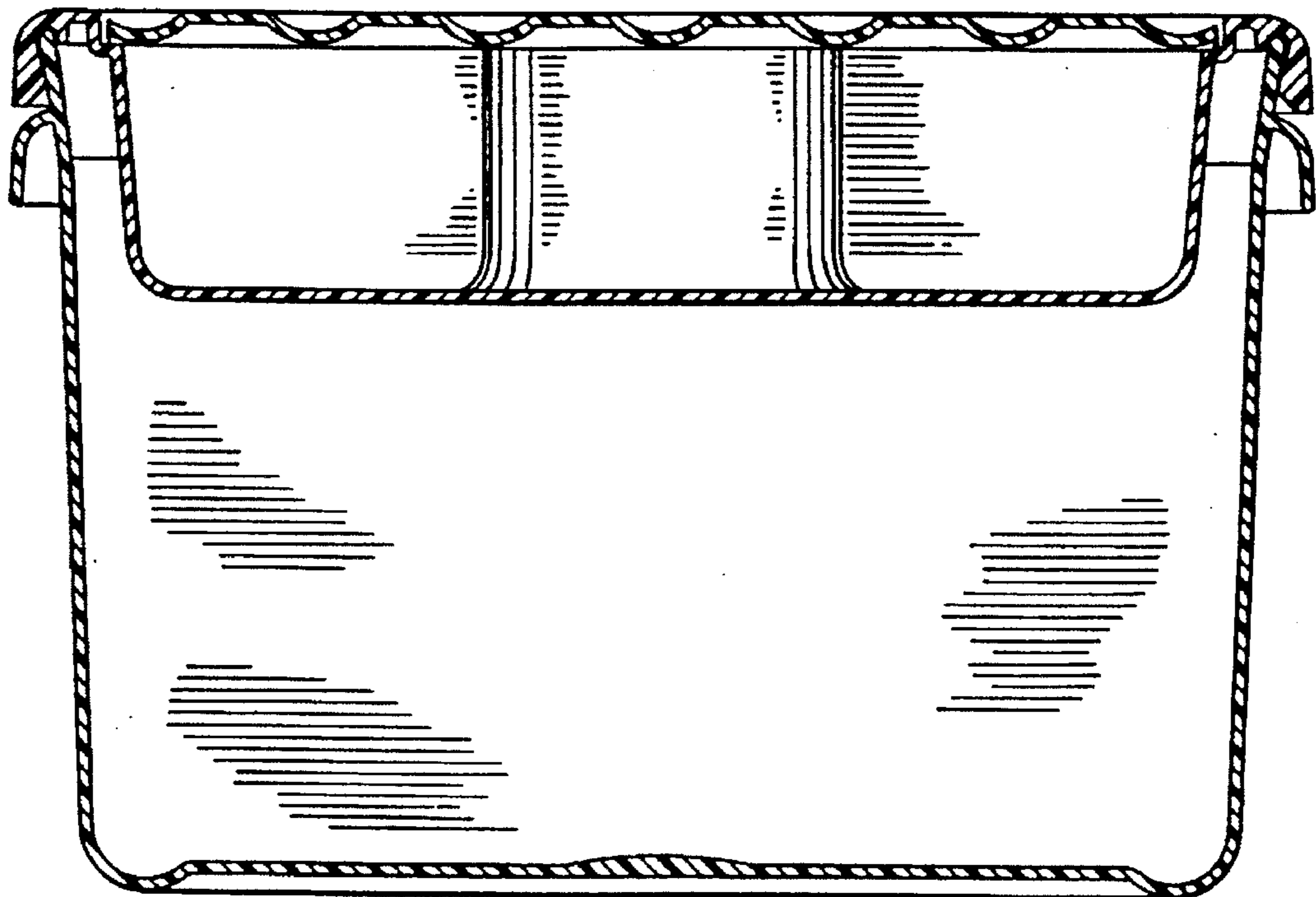


FIG. 10.

FIG. 11.



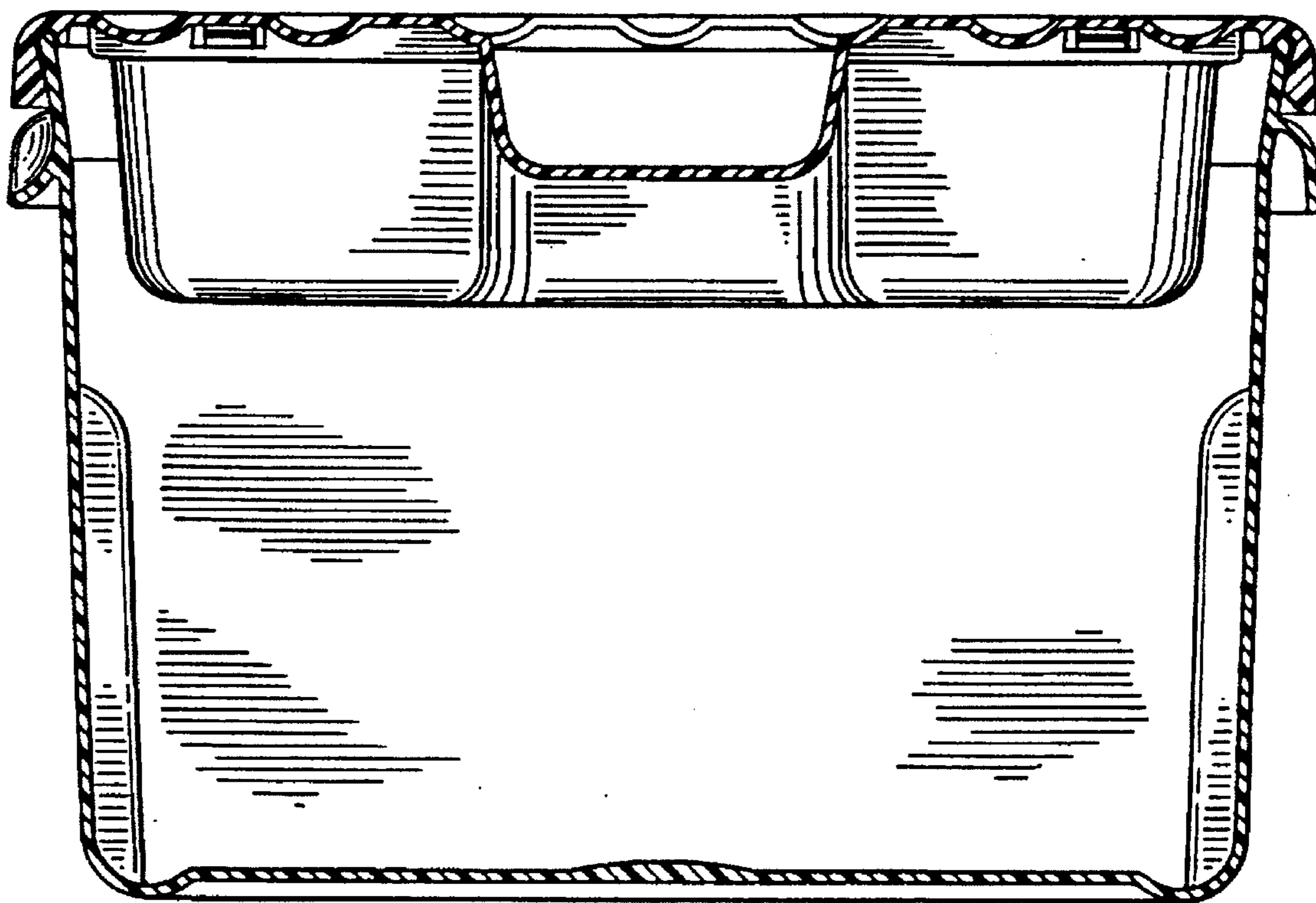


FIG. 12.