



US00D379131S

United States Patent [19]

[11] Patent Number: Des. 379,131

Ohta

[45] Date of Patent: **May 13, 1997

[54] DISK CONTAINER

[75] Inventor: Mineko Ohta, Osaka, Japan

[73] Assignee: Elecom Kabushiki Kaisha, Osaka-fu, Japan

[**] Term: 14 Years

[21] Appl. No.: 45,776

[22] Filed: Oct. 30, 1995

[30] Foreign Application Priority Data

May 9, 1995 [JP] Japan 7-12935

[51] LOC (6) Cl. 06-04

[52] U.S. Cl. D6/635; D6/634; D6/632; D6/407

[58] Field of Search D6/407, 626-635, D6/448; 211/40, 41; 206/308-312; 312/9.2, 9.9, 9.48, 9.55, 9.64, 9.67, 9.53, 328

[56] References Cited

U.S. PATENT DOCUMENTS

D. 242,197	11/1976	Herr et al.	D6/448
D. 259,676	6/1981	Ackeret	D6/628
D. 264,524	5/1982	Merzon	D6/631
D. 267,616	1/1983	Thompson	D6/407
D. 281,207	11/1985	Armbruster	D6/407
D. 337,668	7/1993	van der Molen	D6/407
1,246,072	11/1917	Eisenhauer	312/9.55
2,720,204	10/1955	Wallach	206/309
4,182,538	1/1980	Armistead	312/9.55
4,235,490	11/1980	Schwartz et al.	206/387.14
4,875,743	10/1989	Gelardi et al.	206/308.1

Primary Examiner—Louis S. Zarfaz
Assistant Examiner—Greg Andoll
Attorney, Agent, or Firm—Jordan and Hamburg

[57] CLAIM

The ornamental design for a disk container, as shown and described.

DESCRIPTION

FIG. 1 is a perspective view of a first disk container of my new design, a front door of the first disk container being closed;

FIG. 2 is another perspective view of the first disk container, the front door being opened;

FIG. 3 is yet another perspective view of the first disk container, the front door being opened, and a disk holder being withdrawn;

FIG. 4 is a front elevation view of the first disk container;

FIG. 5 is a rear elevation view of the first disk container;

FIG. 6 is a right side elevation view of the first disk container;

FIG. 7 is a left side elevation view of the first disk container;

FIG. 8 is a top plan view of the first disk container;

FIG. 9 is a bottom plan view of the first disk container;

FIG. 10 is a perspective view of a second disk container of my new design, a front door of the second disk container being closed;

FIG. 11 is a right side elevation view of the second disk container;

FIG. 12 is a left side elevation view of the second disk container;

FIG. 13 is a perspective view of a third disk container of my new design, a front door of the third disk container being closed; and,

FIG. 14 is a perspective view of a fourth disk container of my new design, a front door of the fourth disk container being closed.

A front elevation view, rear elevation view, top plan view, and bottom plan view of the second disk container being the same as FIGS. 4, 5, 8, and 9, respectively.

A front elevation view, rear elevation view, right side elevation view, left side elevation view, and bottom plan view of the third disk container being the same as FIGS. 4, 5, 6, 7, and 9, respectively; and

A front elevation view, rear elevation view, right side elevation view, left side elevation view, and bottom plan view of the fourth container being the same as FIGS. 4, 5, 6, 7, and 9, respectively.

1 Claim, 14 Drawing Sheets

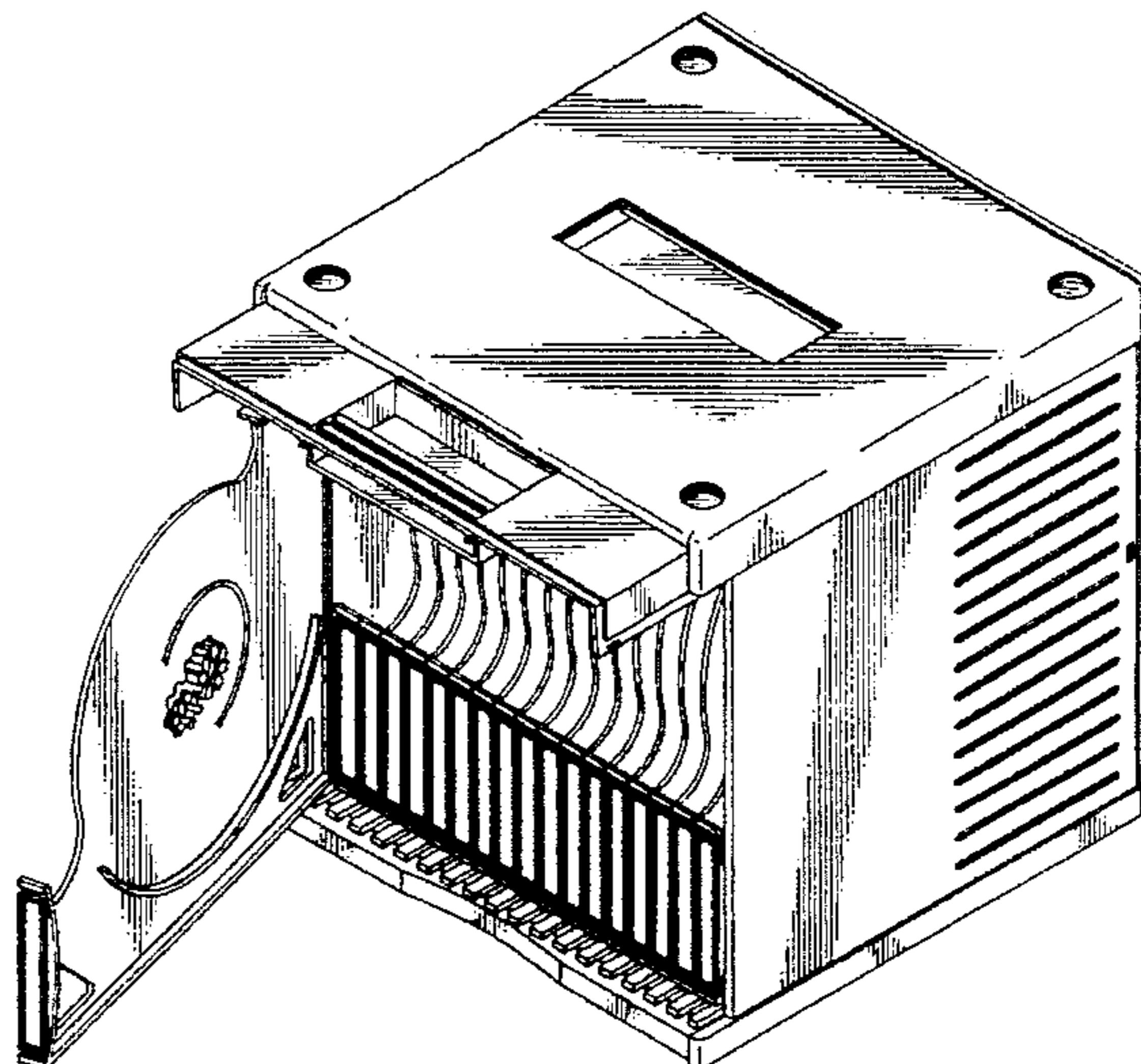


FIG. 1

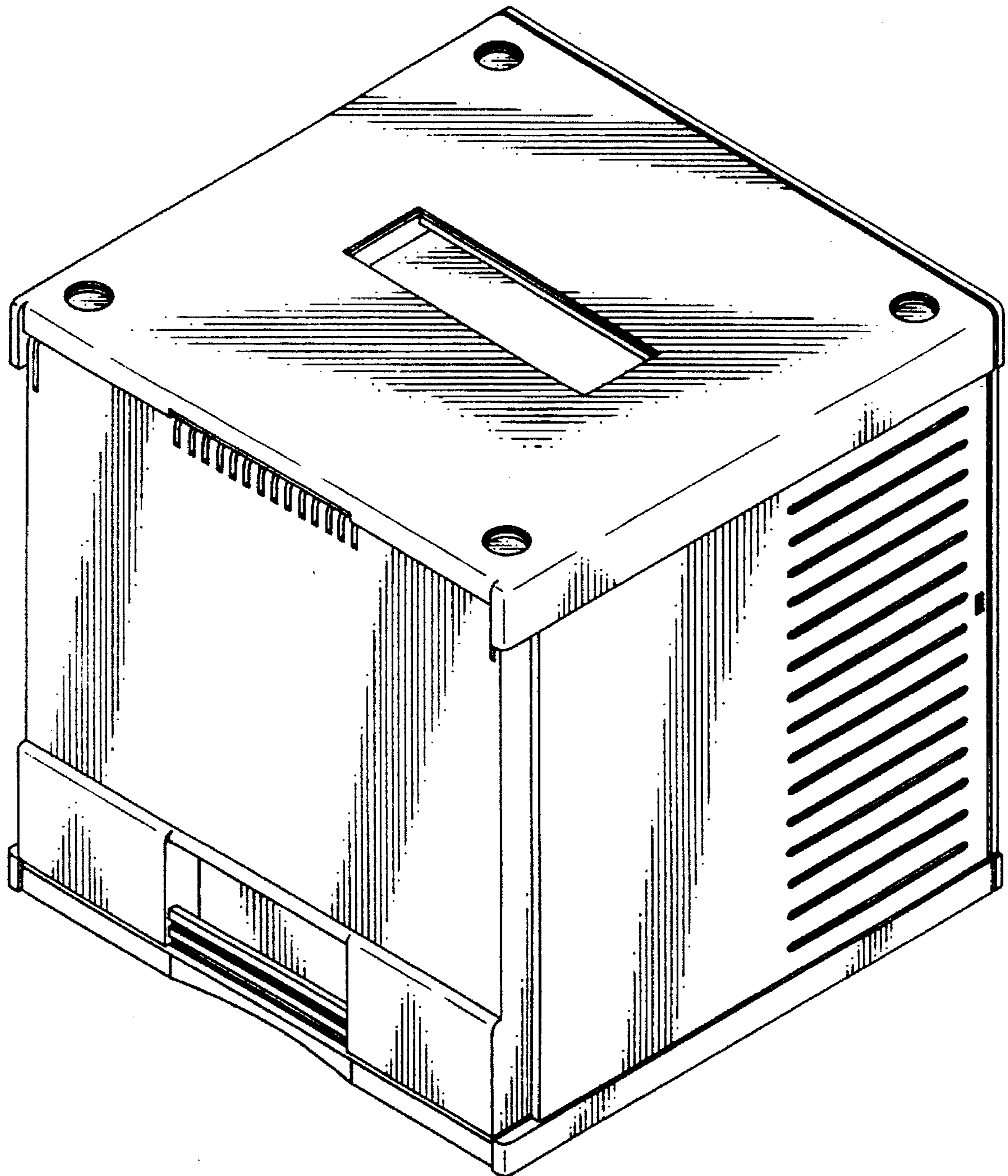


FIG. 2

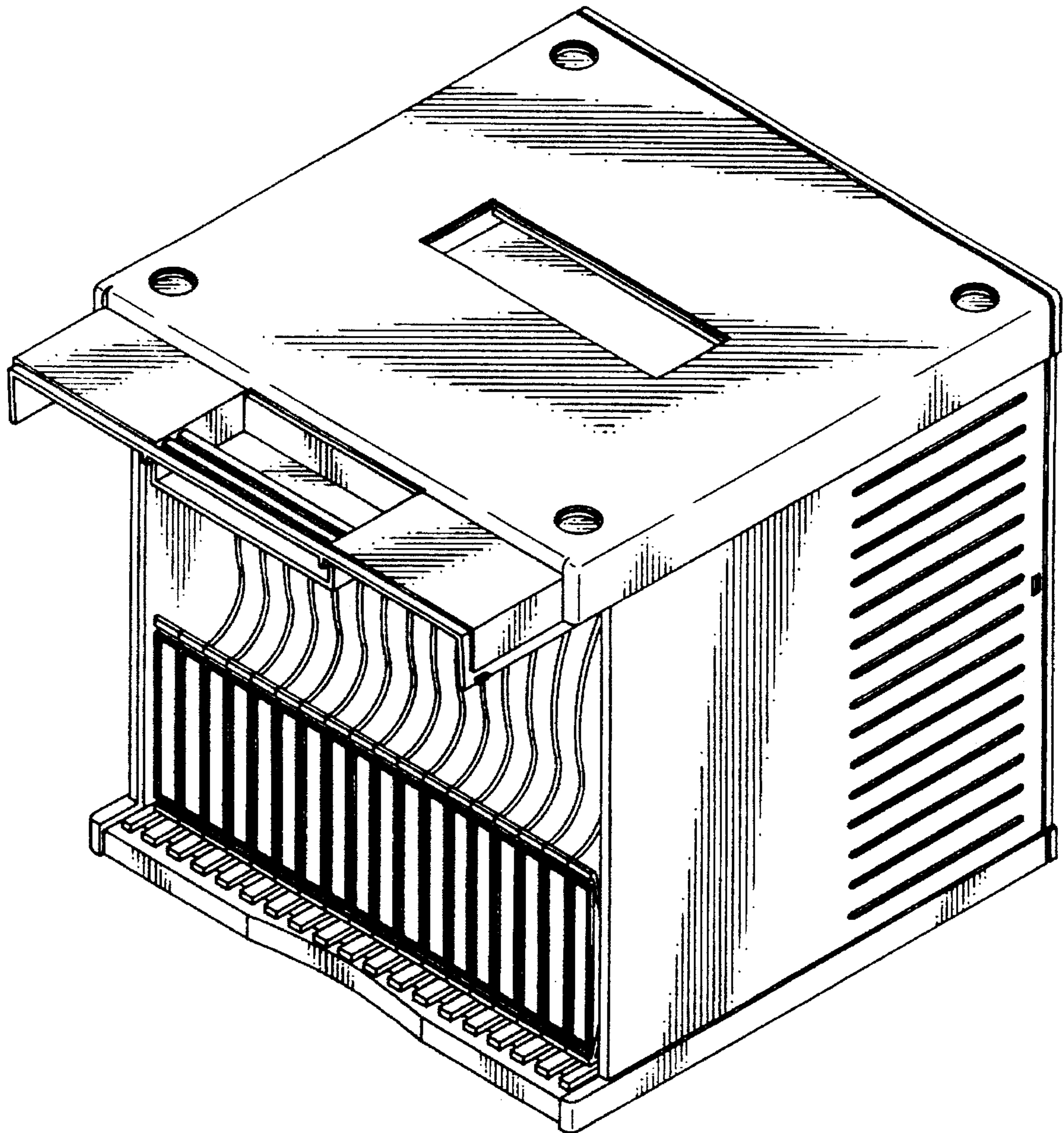


FIG. 3

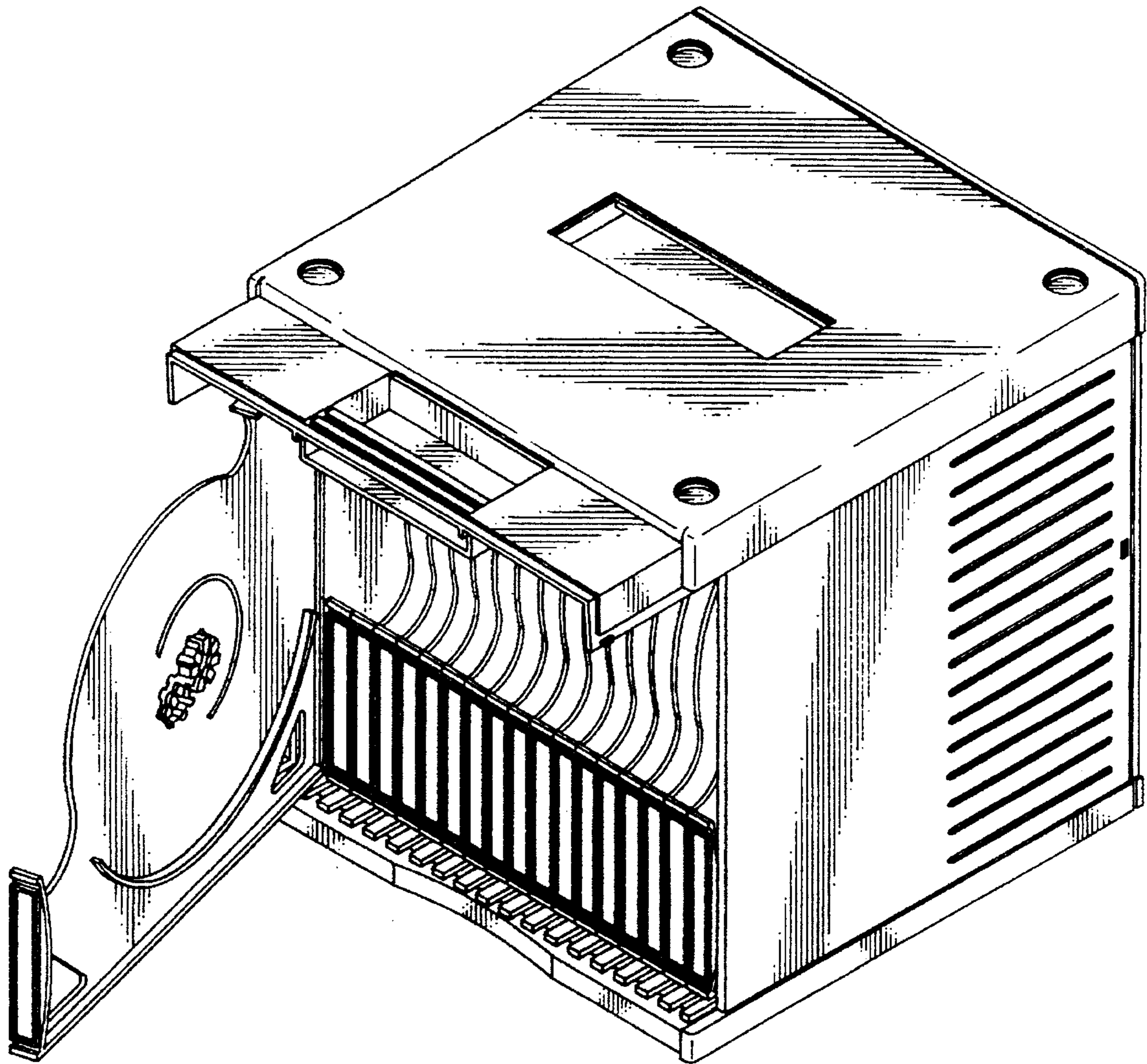


FIG. 4

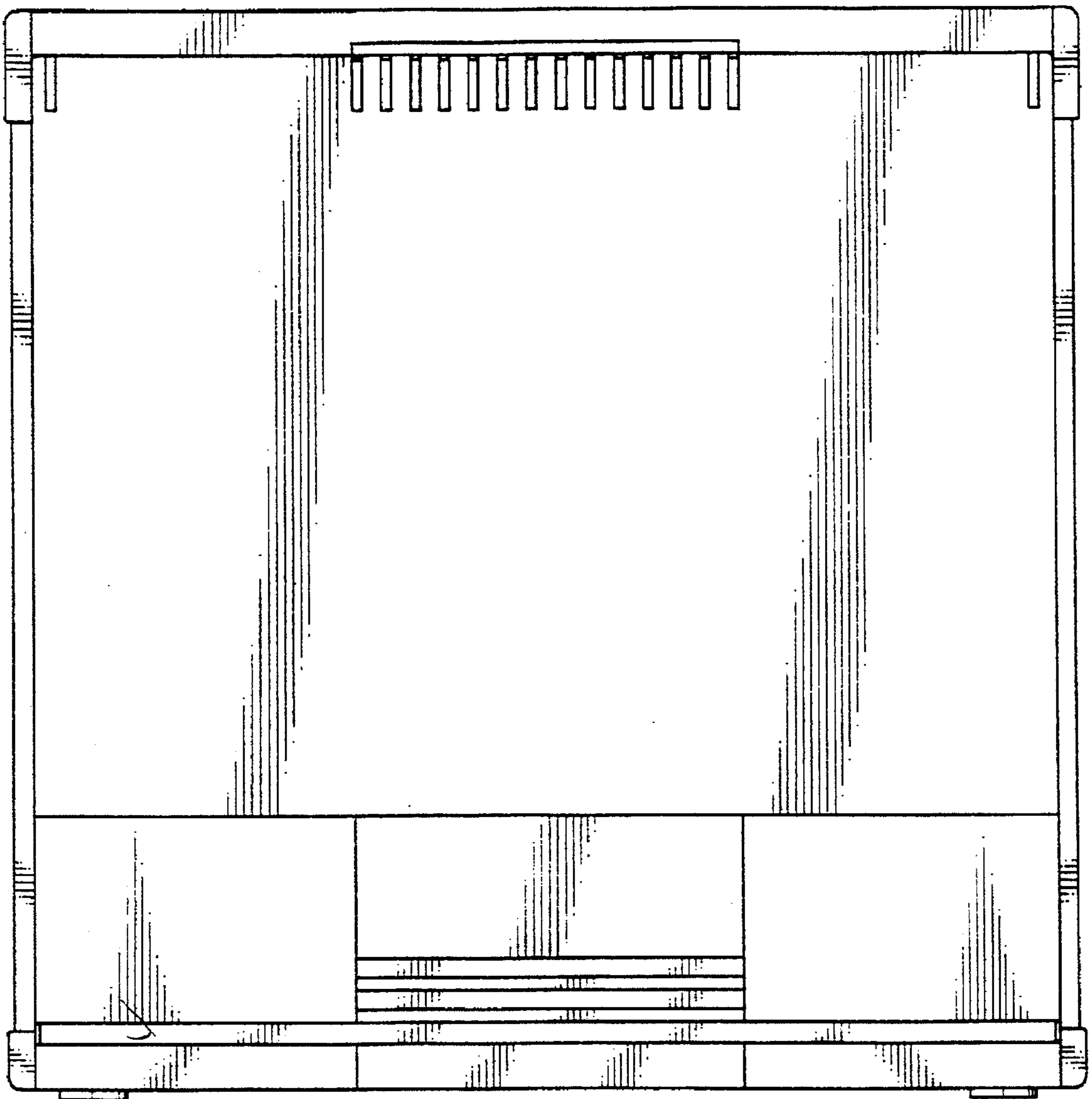


FIG. 5

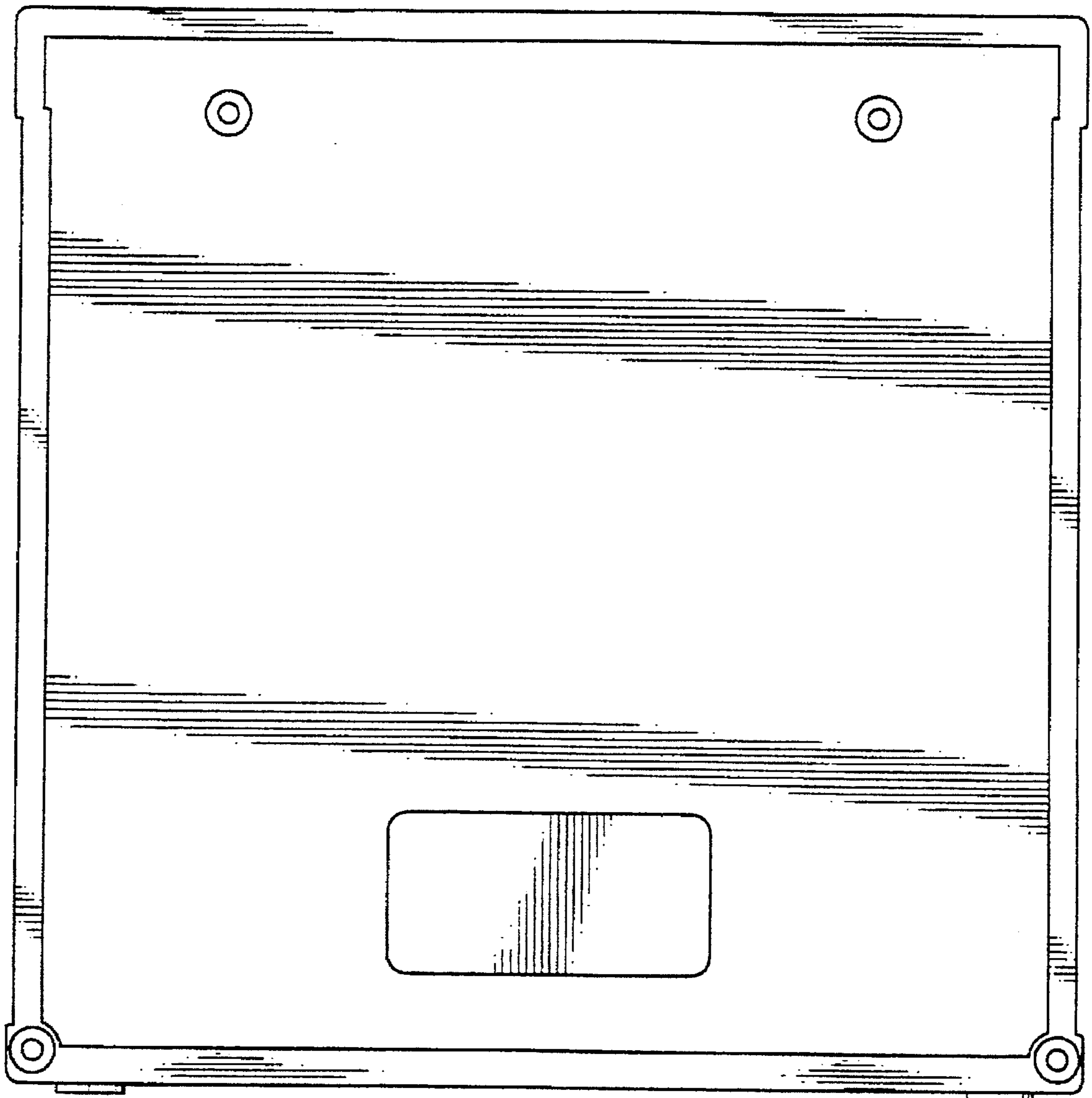


FIG. 6

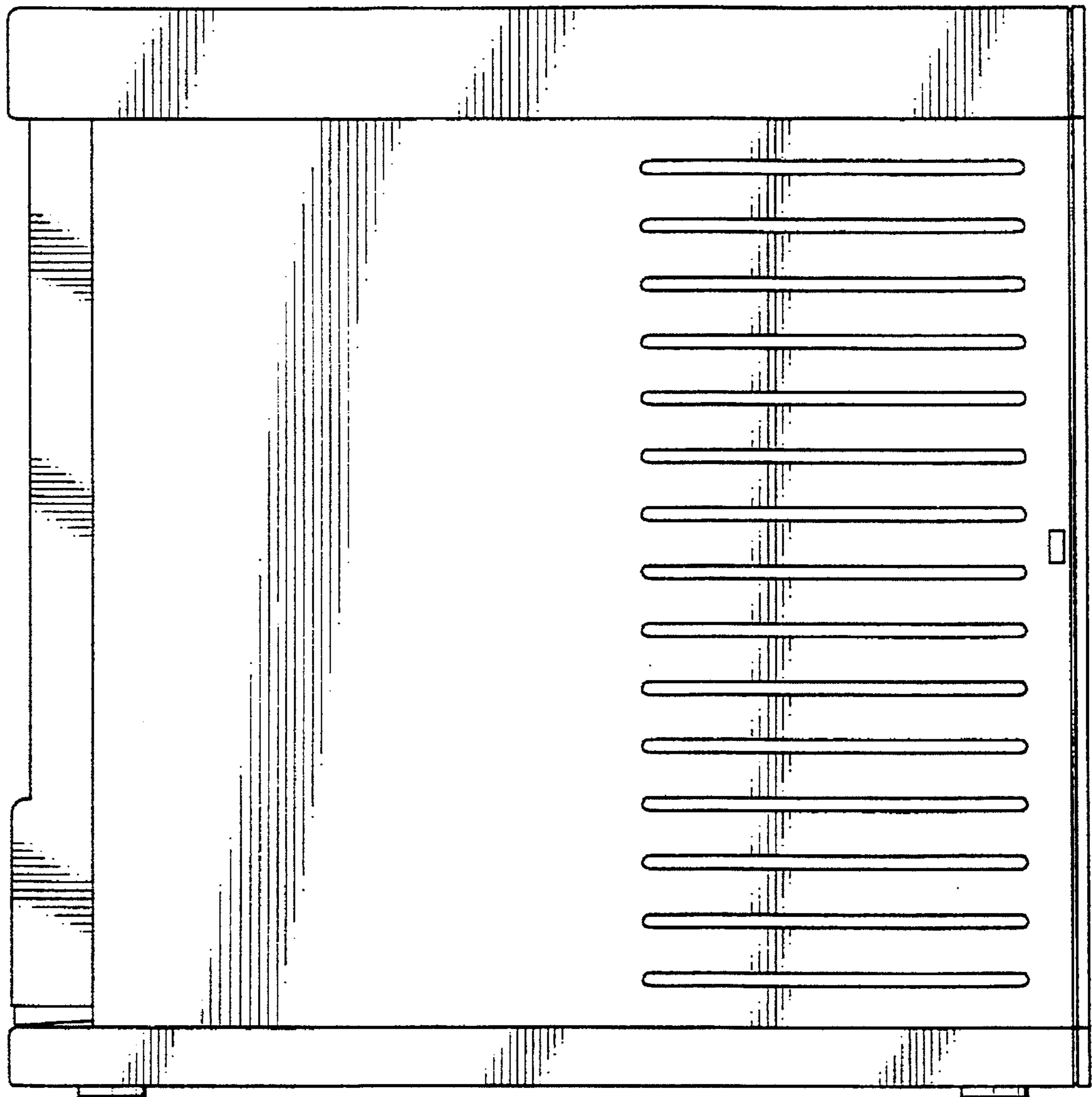


FIG. 7

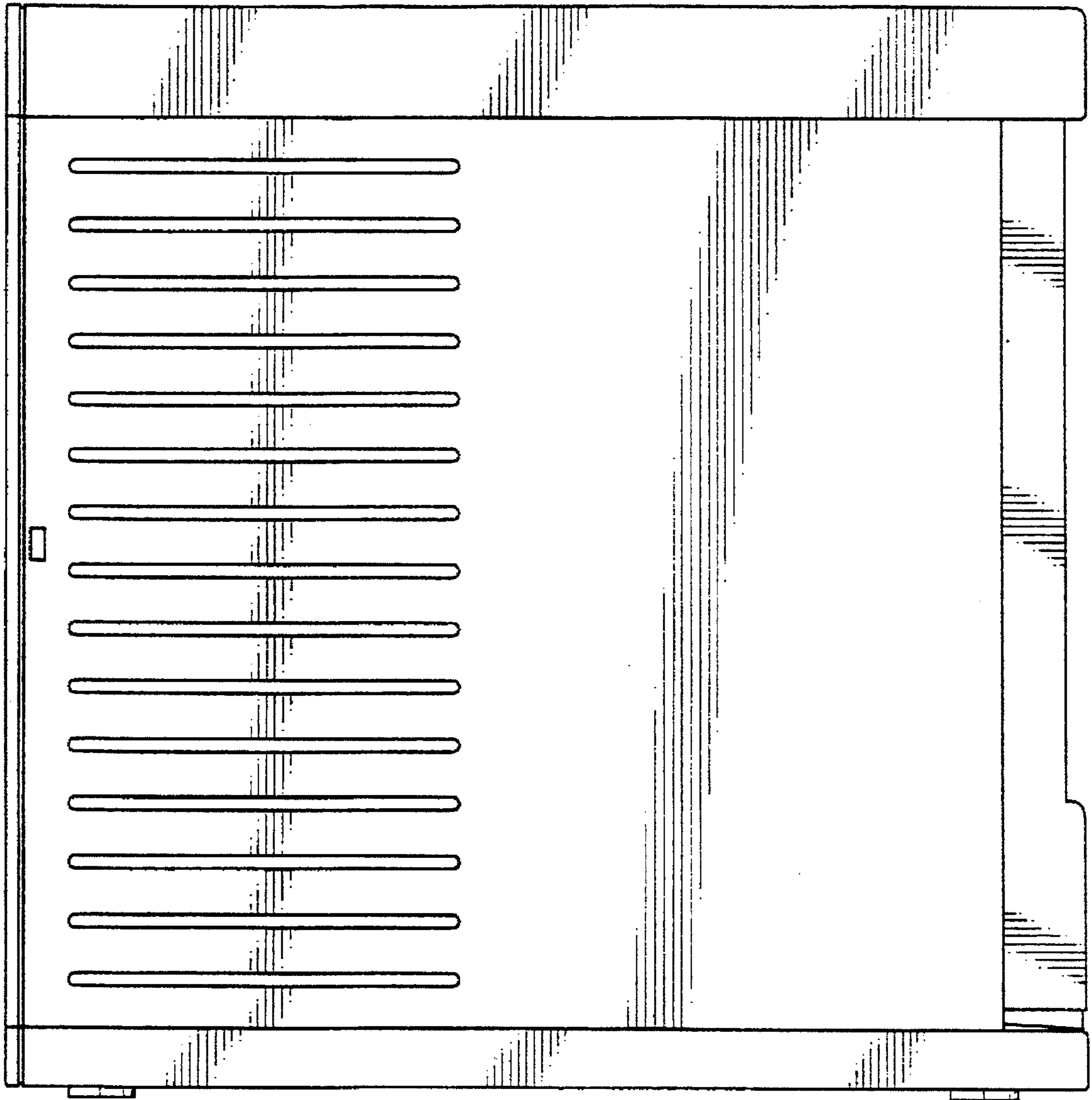


FIG. 8

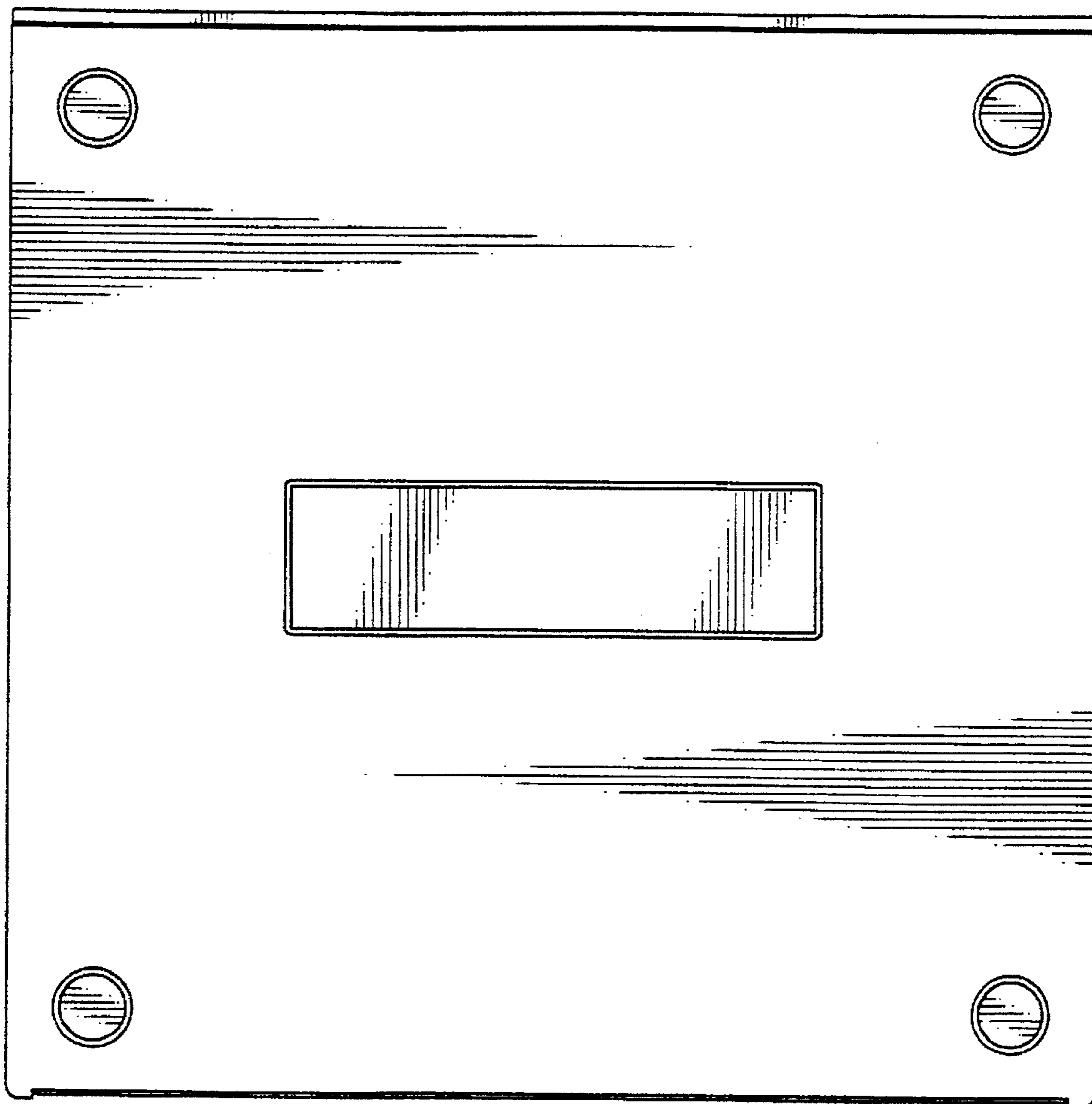


FIG. 9

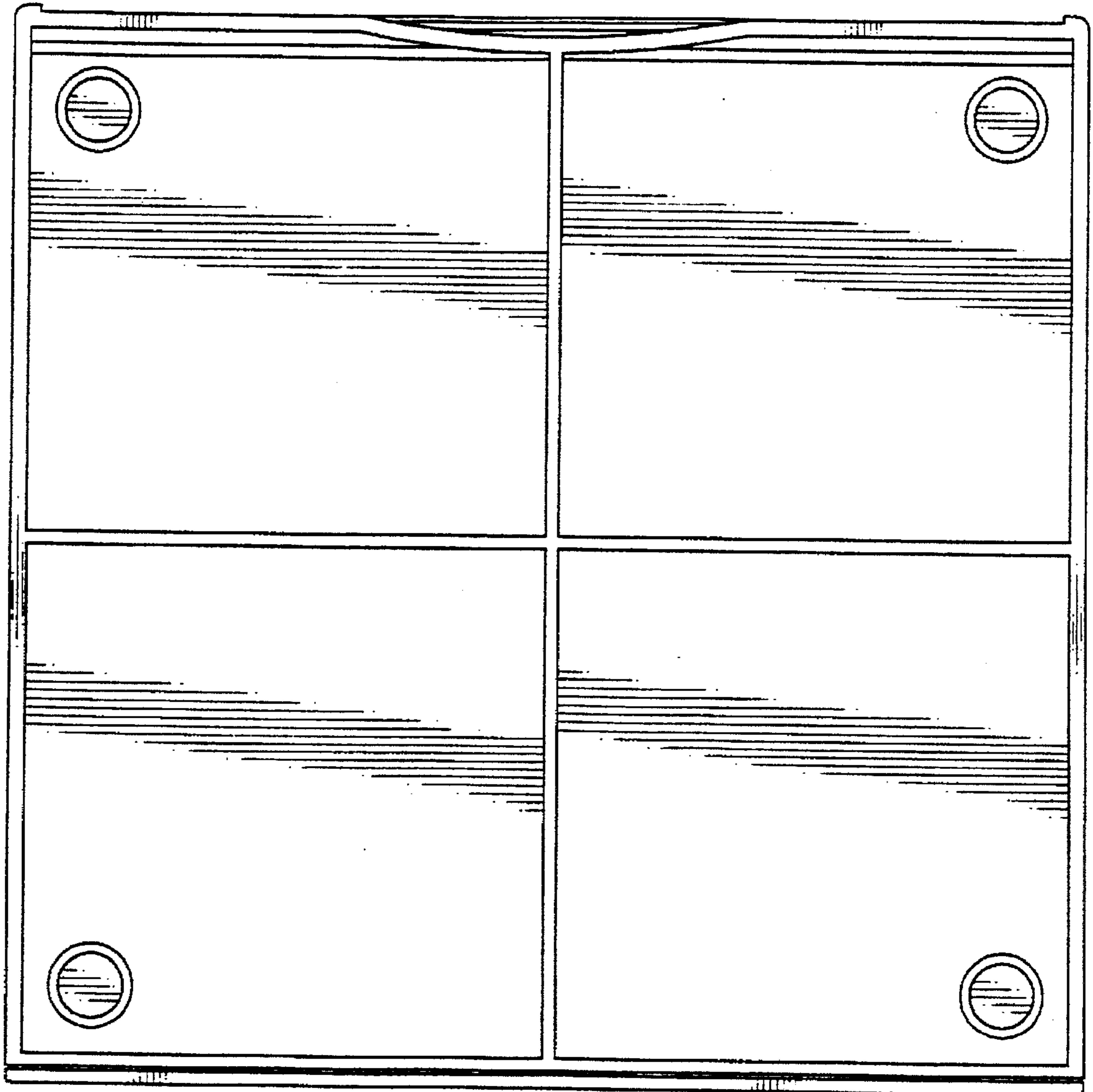


FIG. 10

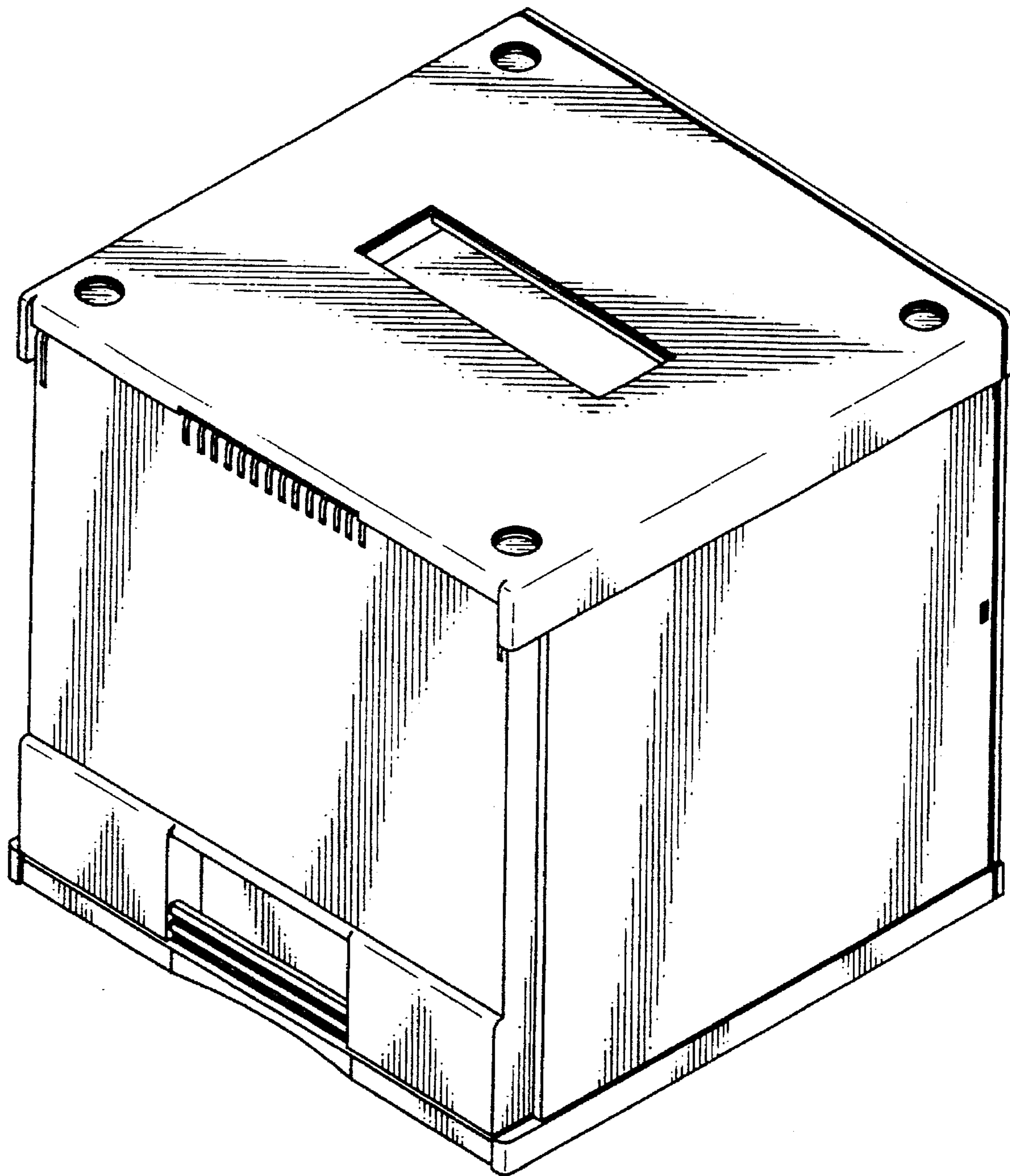


FIG. 11

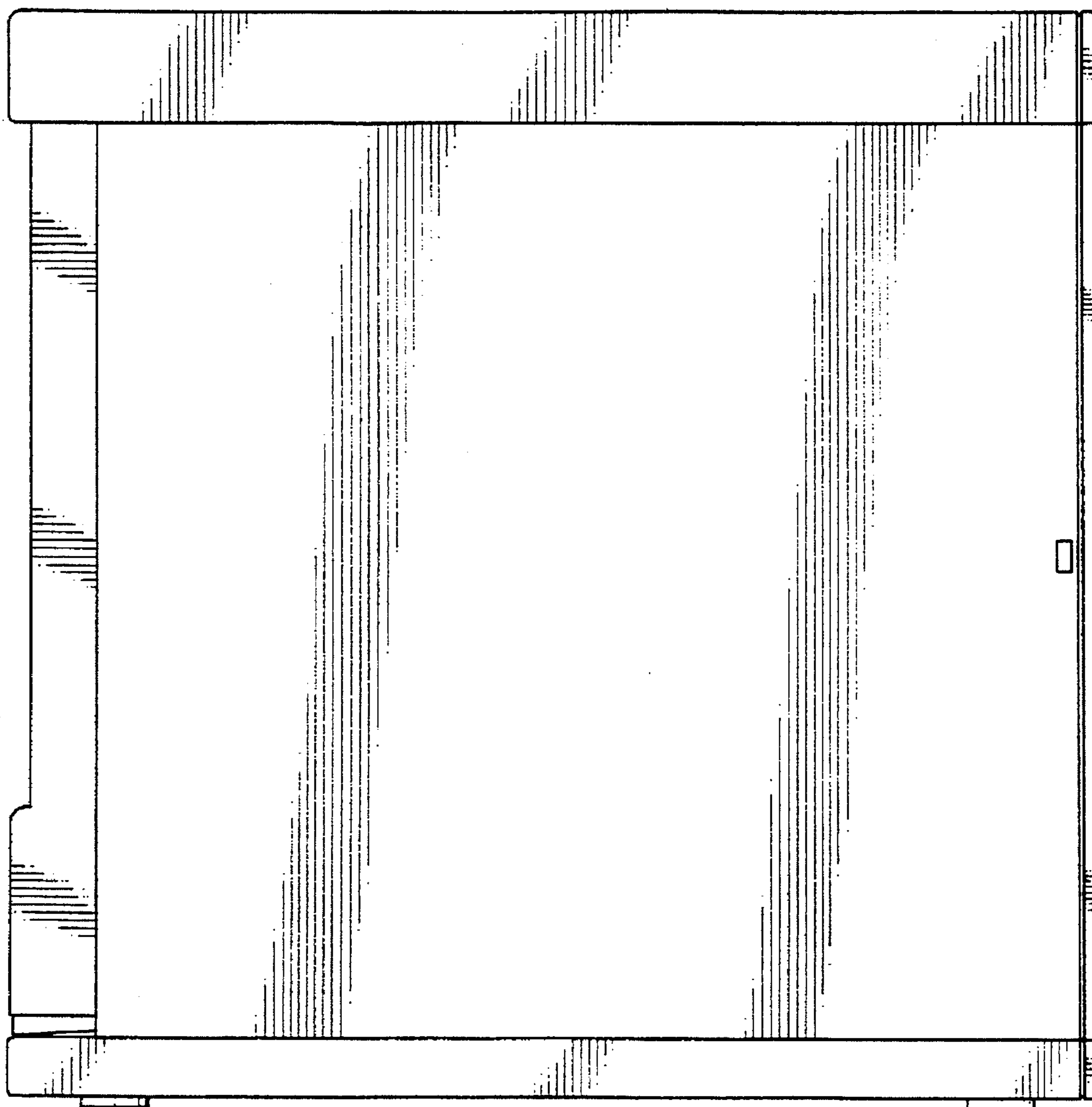


FIG.12

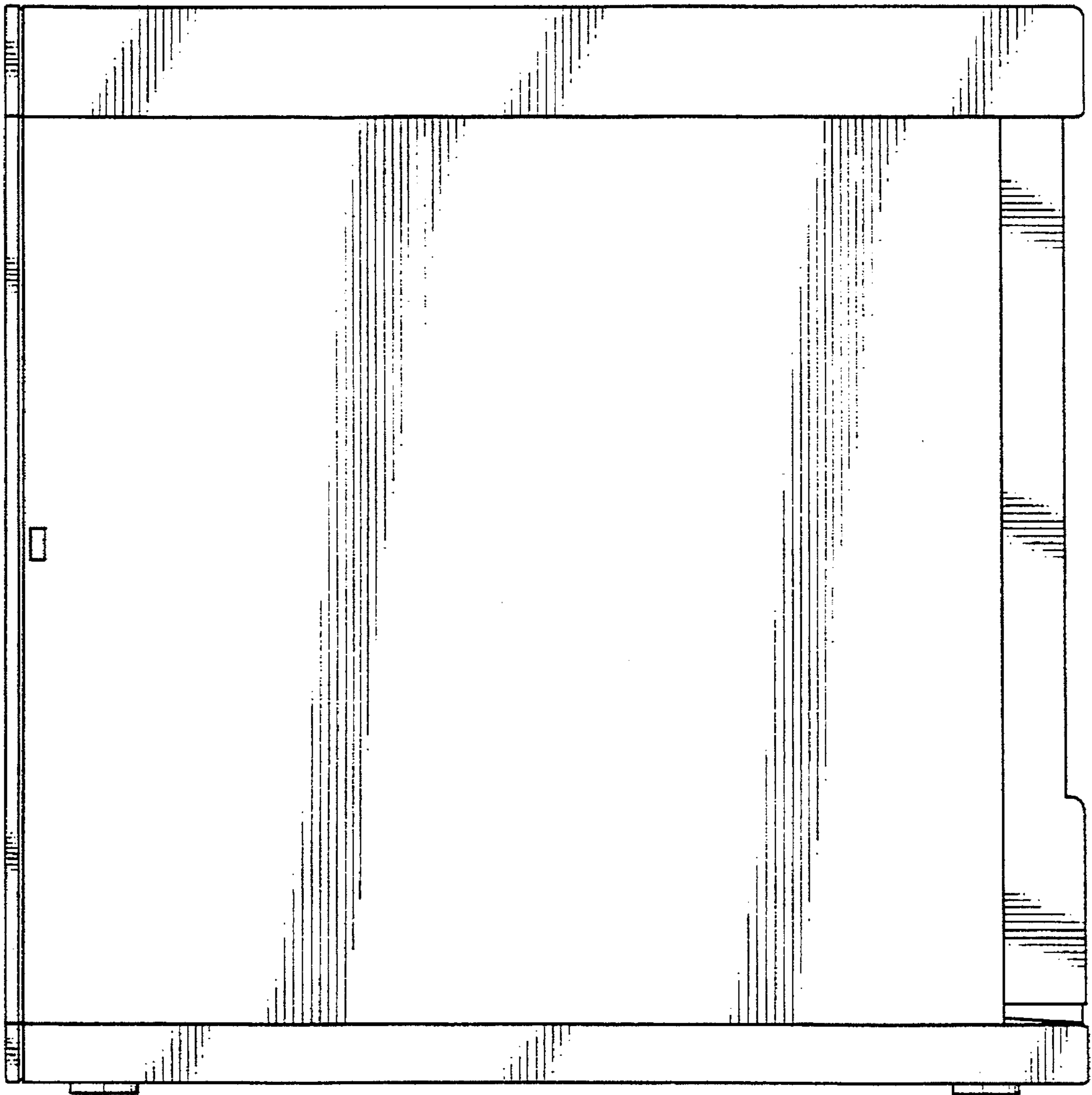


FIG. 13

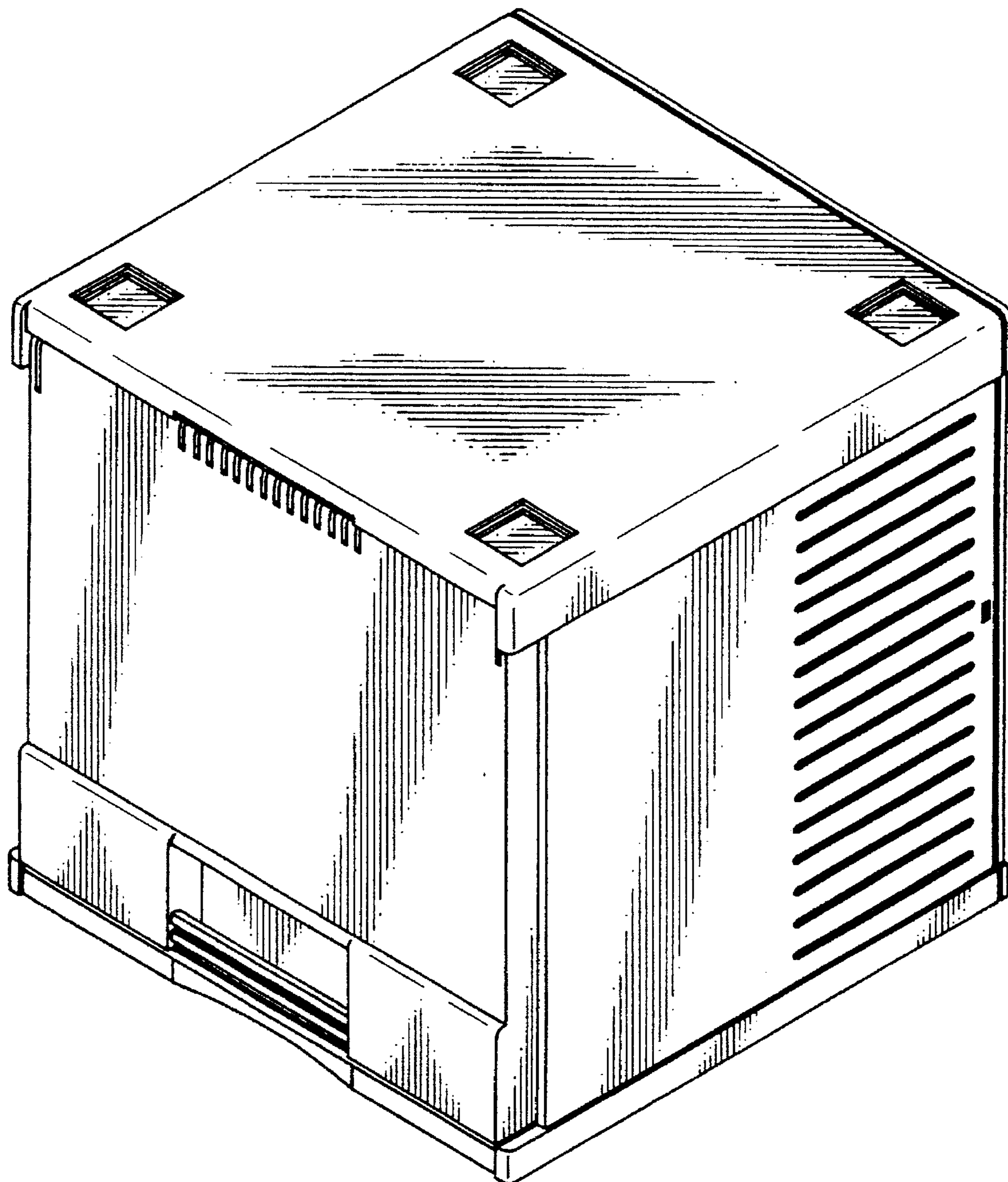


FIG. 14

