



US00D379127S

# United States Patent [19] Schacht

[11] Patent Number: Des. 379,127

[45] Date of Patent: \*\*May 13, 1997

[54] PAIR OF LEGS FOR A TABLE

[75] Inventor: William F. Schacht, Grand Rapids, Mich.

[73] Assignee: Haworth, Inc., Holland, Mich.

[\*\*] Term: 14 Years

[21] Appl. No.: 40,120

[22] Filed: Jun. 9, 1995

[51] LOC (6) Cl. .... 06-06

[52] U.S. Cl. .... D6/495; D6/499

[58] Field of Search ..... D6/480-489, 495-499;  
108/155, 153, 156, 157, 161, 144; 248/188,  
188.1, 188.8

[56] References Cited

U.S. PATENT DOCUMENTS

D. 314,299	2/1991	Diffrient	.....	D6/495
D. 320,320	10/1991	Ditshuizen	.....	D6/422
D. 330,302	10/1992	Heidmann	.....	D6/495
D. 334,103	3/1993	Koguma	.....	D6/484
4,711,184	12/1987	Wallin et al.	.....	108/144
5,394,809	3/1995	Feldpausch et al.	.....	
5,427,035	6/1995	Grahl	.....	108/144

OTHER PUBLICATIONS

Steelcase Ellipse Desk System, brochure No. S-507 (14 pages).

The art of working brings you . . . unlimited possibilities brochure, pp. 21-30 (11 pages).

Haworth Office Desking System, Furniture That Works brochure (4 pages).

The Teknion Office System, Teknion Two Panel System and Desk System brochure (8 pages).

Herman Miller, Newhouse Group Furniture, brochure No. Q.MS6806-2 (12 pages).

Primary Examiner—Janice E. Seeger

Attorney, Agent, or Firm—Flynn, Thiel, Boutell & Tanis, P.C.

[57] CLAIM

The ornamental design for a pair of legs for a table, as shown and described.

DESCRIPTION

FIG. 1 is a perspective view of a first variation of a pair of legs for a table embodying my design, the table top being shown by dotted lines for illustrative purposes;

FIG. 2 is a front elevational view thereof, the rear elevational view being substantially identical thereto;

FIG. 3 is a left-side elevational view thereof on an enlarged scale, the right-side elevational view being substantially identical thereto;

FIG. 4 is an enlarged cross sectional view taken along line 4-4 in FIG. 3;

FIG. 5 is a side elevational view which corresponds to FIG. 3 but shows an opposite side of the leg depicted therein, such view being taken generally along line 5-5 in FIG. 2; and

FIG. 6 is a top plan view taken generally along line 6-6 in FIG. 2;

FIG. 7 is a perspective view of a second variation of a pair of legs for a table embodying my design, the table top being shown by dotted lines for illustrative purposes;

FIG. 8 is a front elevational view thereof, the rear elevational view being substantially identical thereto;

FIG. 9 is a left-side elevational view thereof on an enlarged scale, the right-side elevational view being substantially a mirror image thereof;

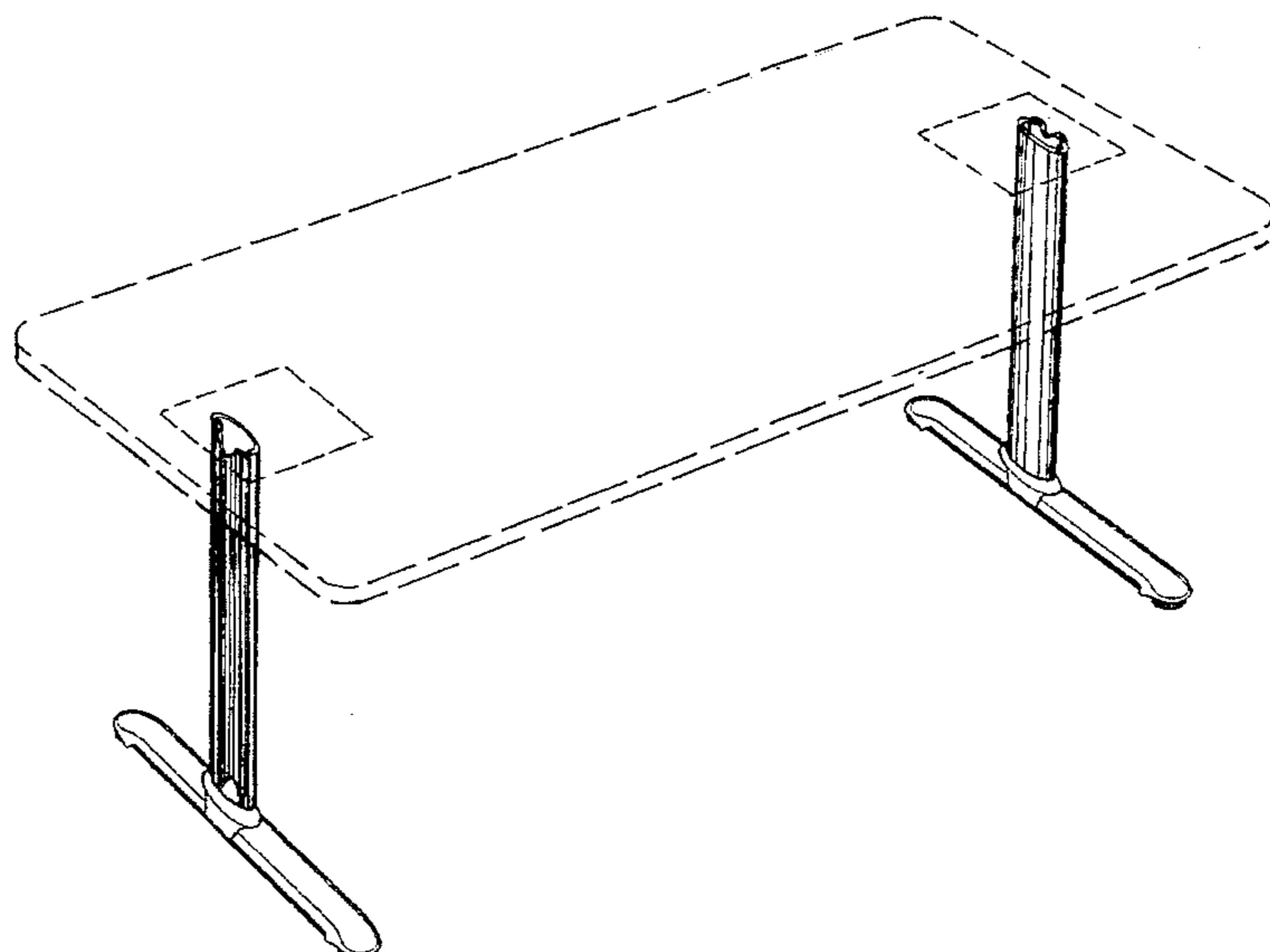
FIG. 10 is an enlarged cross sectional view taken along line 10-10 in FIG. 9;

FIG. 11 is a side elevational view which corresponds to FIG. 9 but shows an opposite side of the leg depicted therein, such view being taken generally along line 11-11 in FIG. 8; and

FIG. 12 is a top plan view taken generally along line 12-12 in FIG. 8.

The mounting element shown on the top of each leg is not shown in FIGS. 1 and 7 for convenience of illustration.

1 Claim, 10 Drawing Sheets



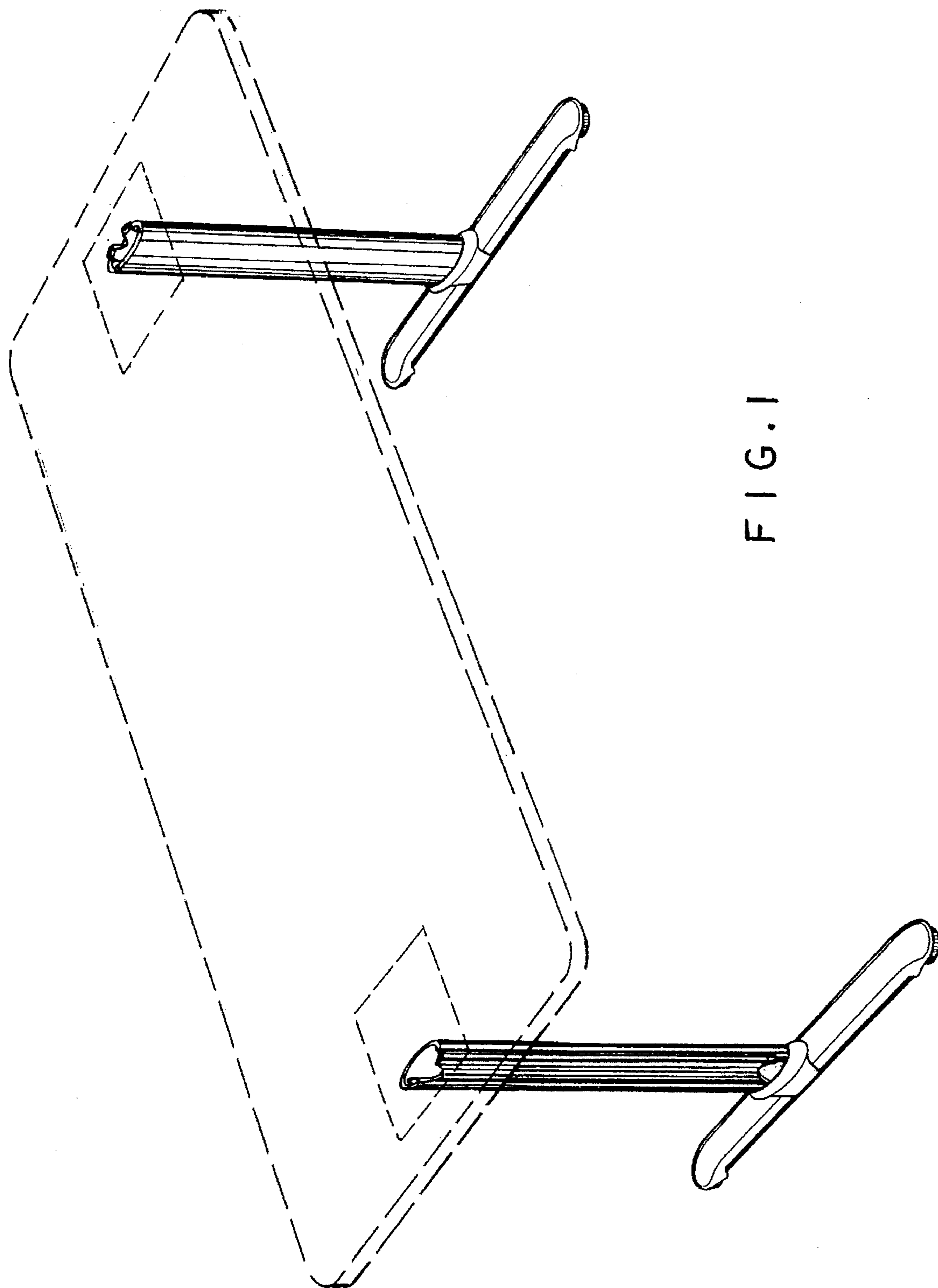


FIG. 1

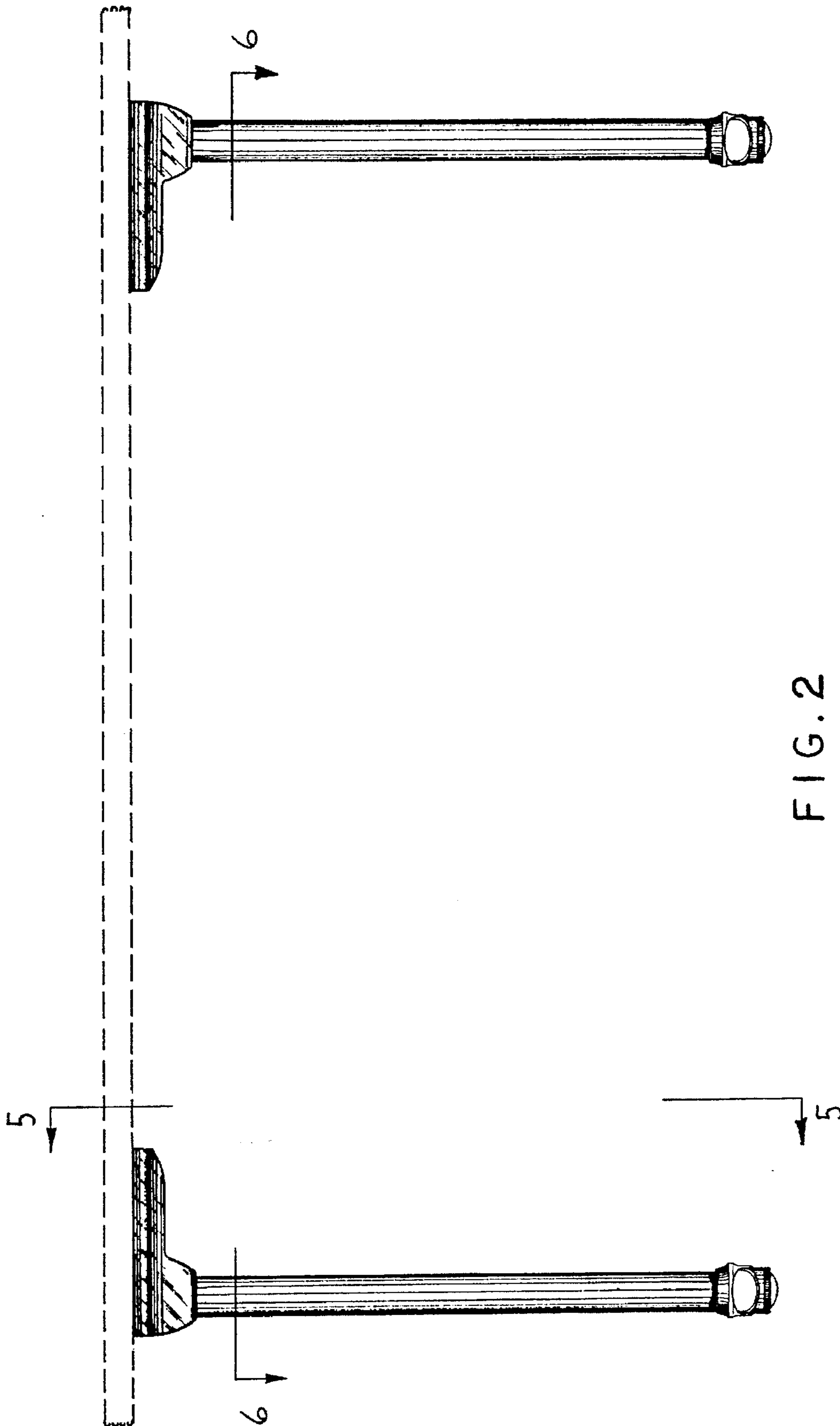


FIG. 2

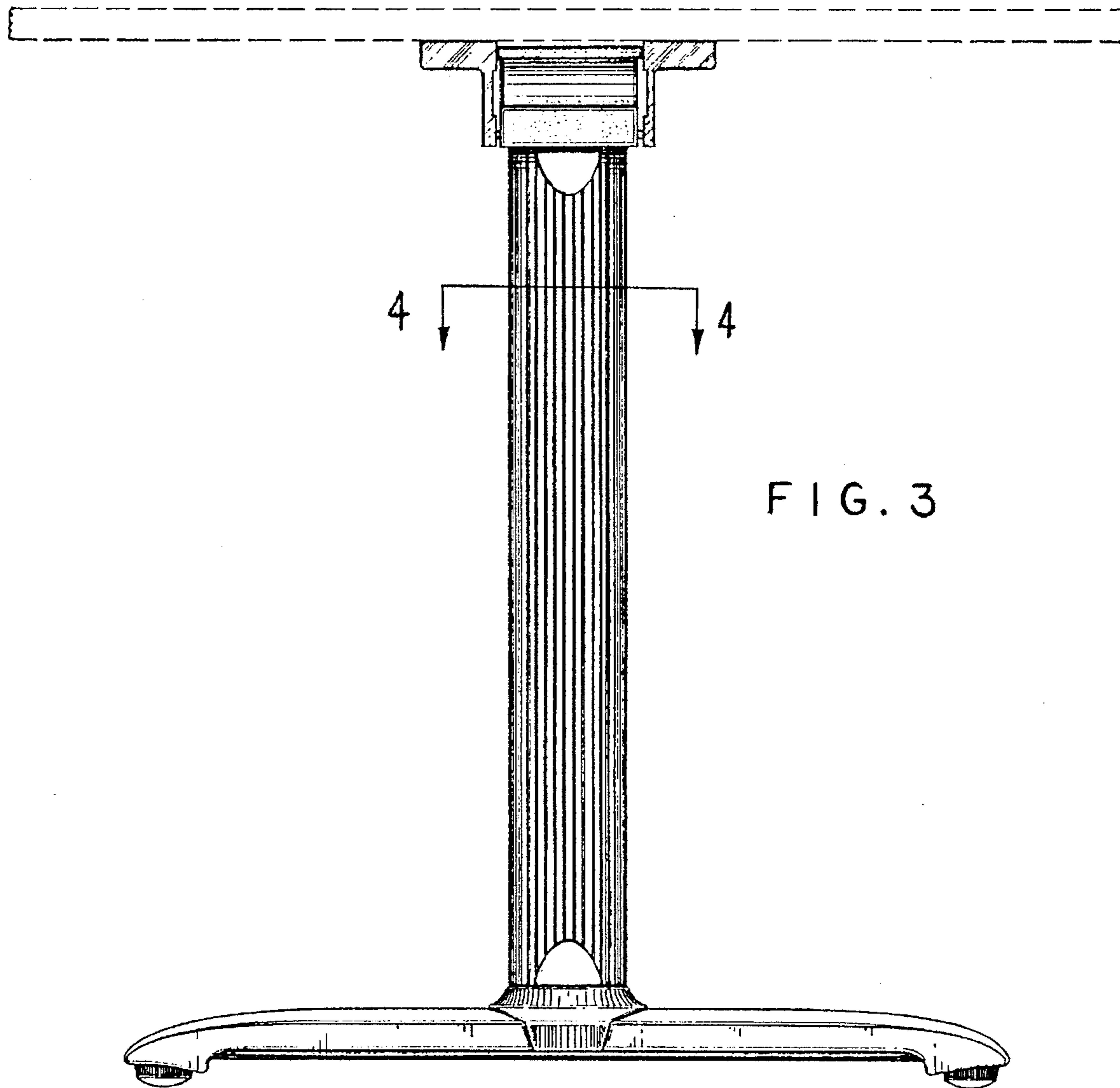


FIG. 3

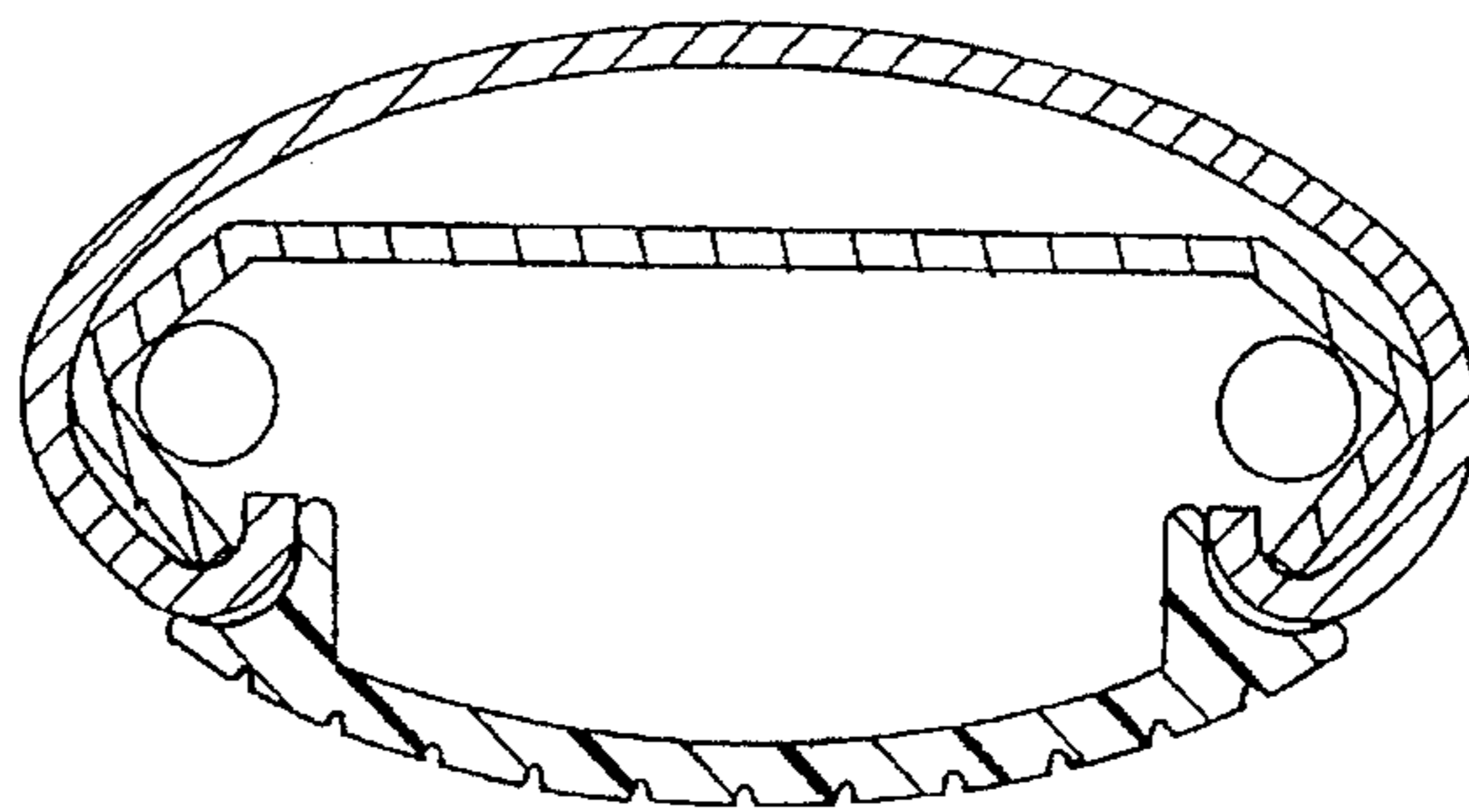


FIG. 4



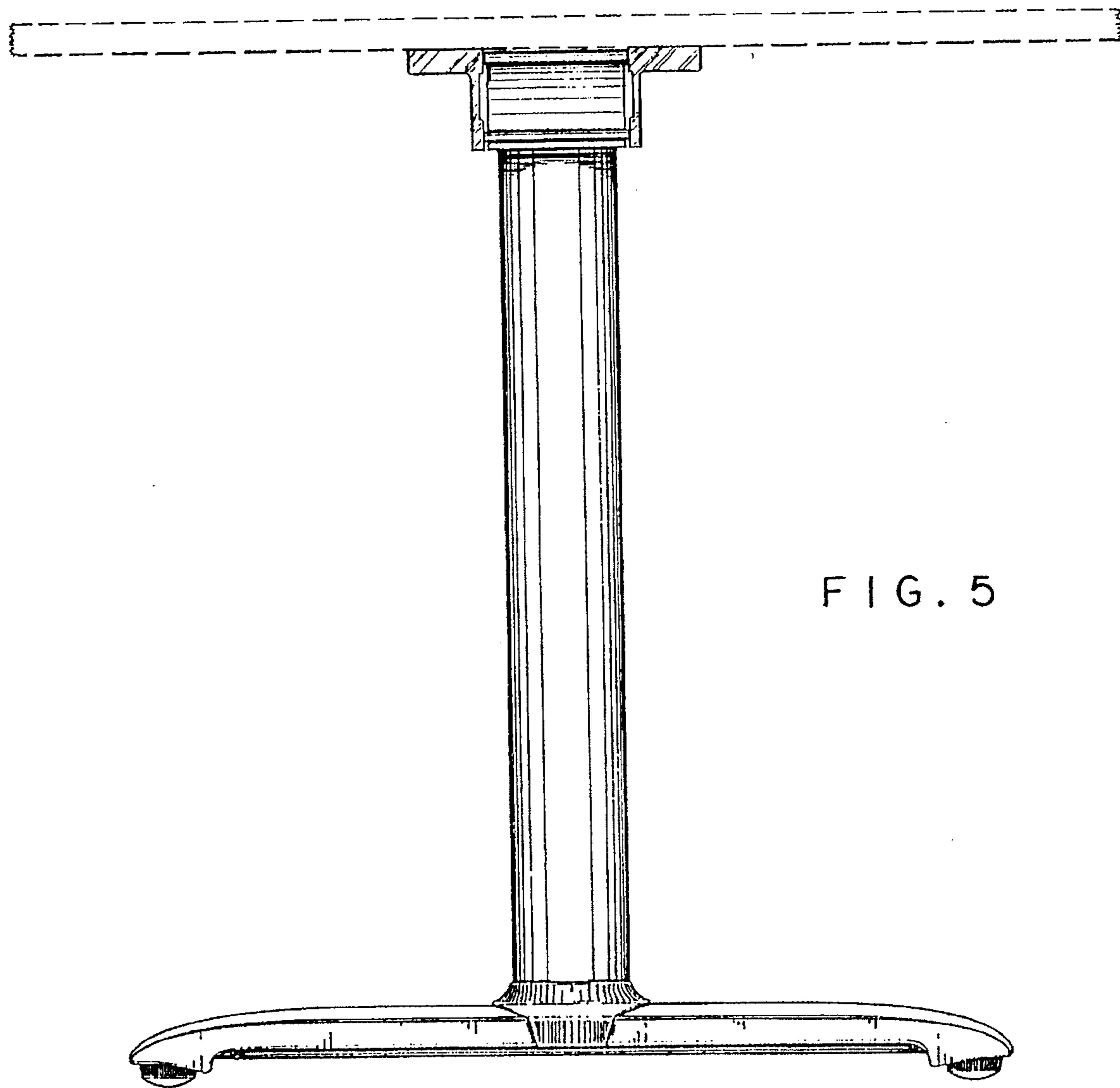


FIG. 5

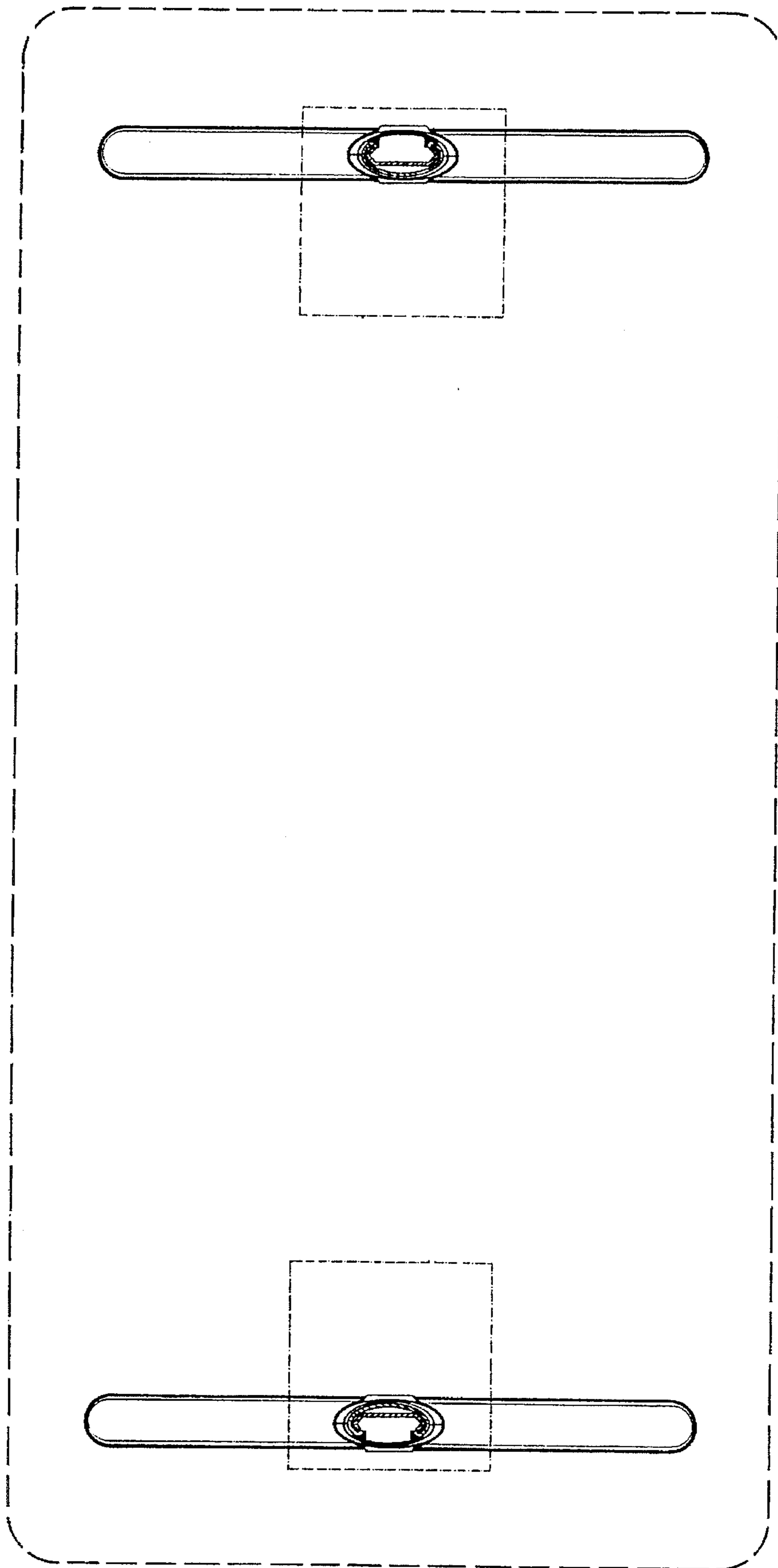


FIG. 6

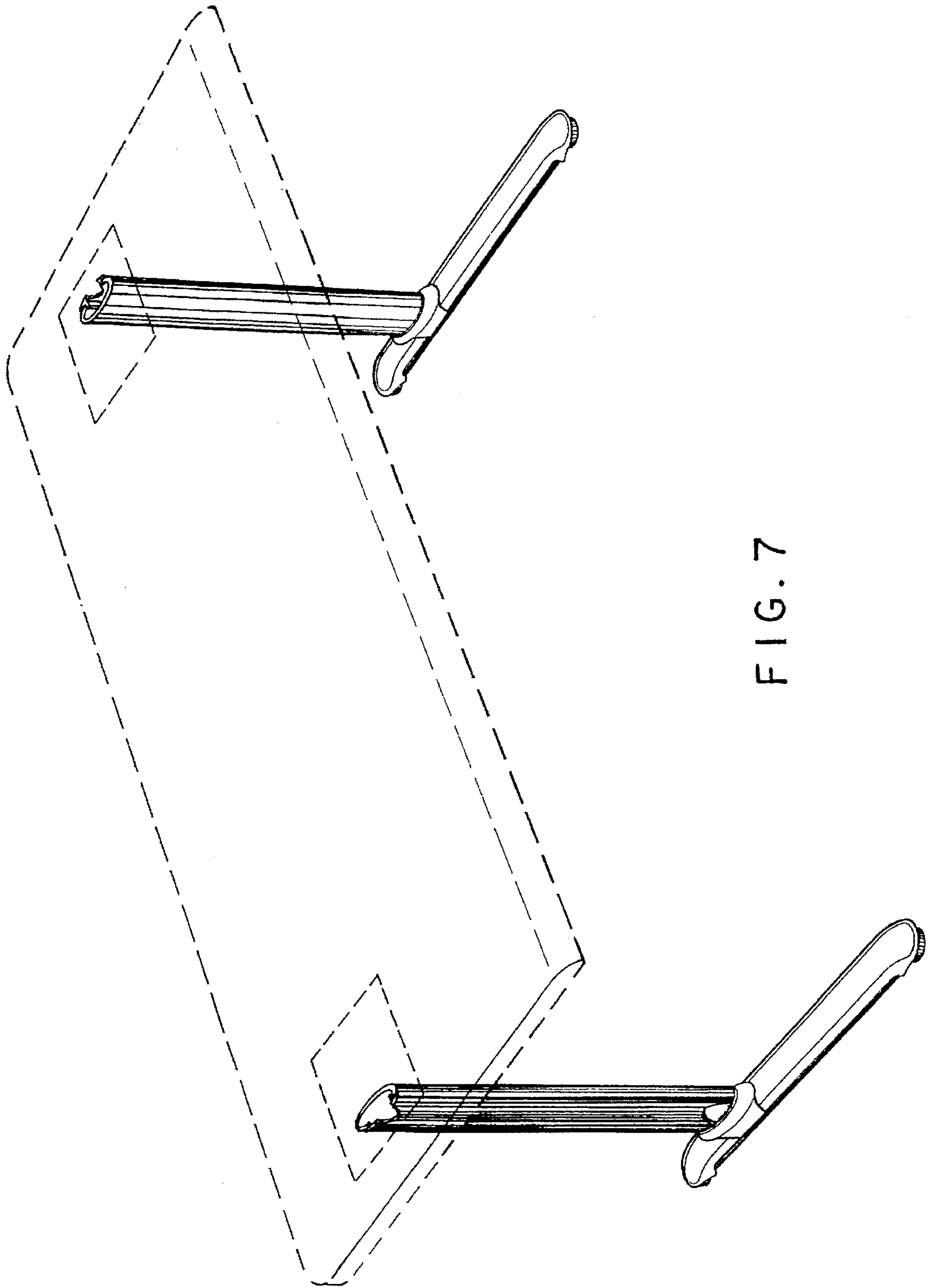


FIG. 7

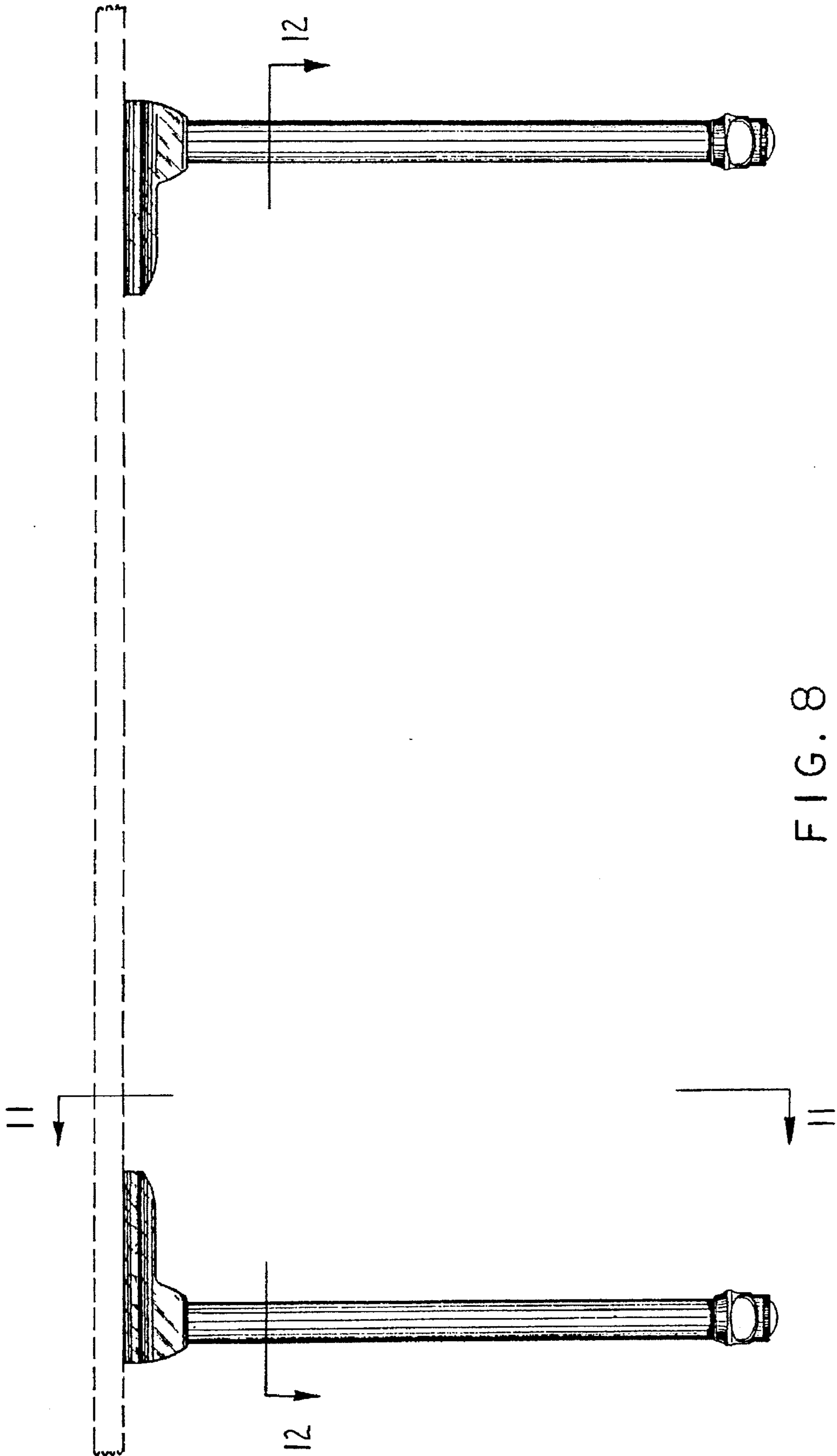


FIG. 8



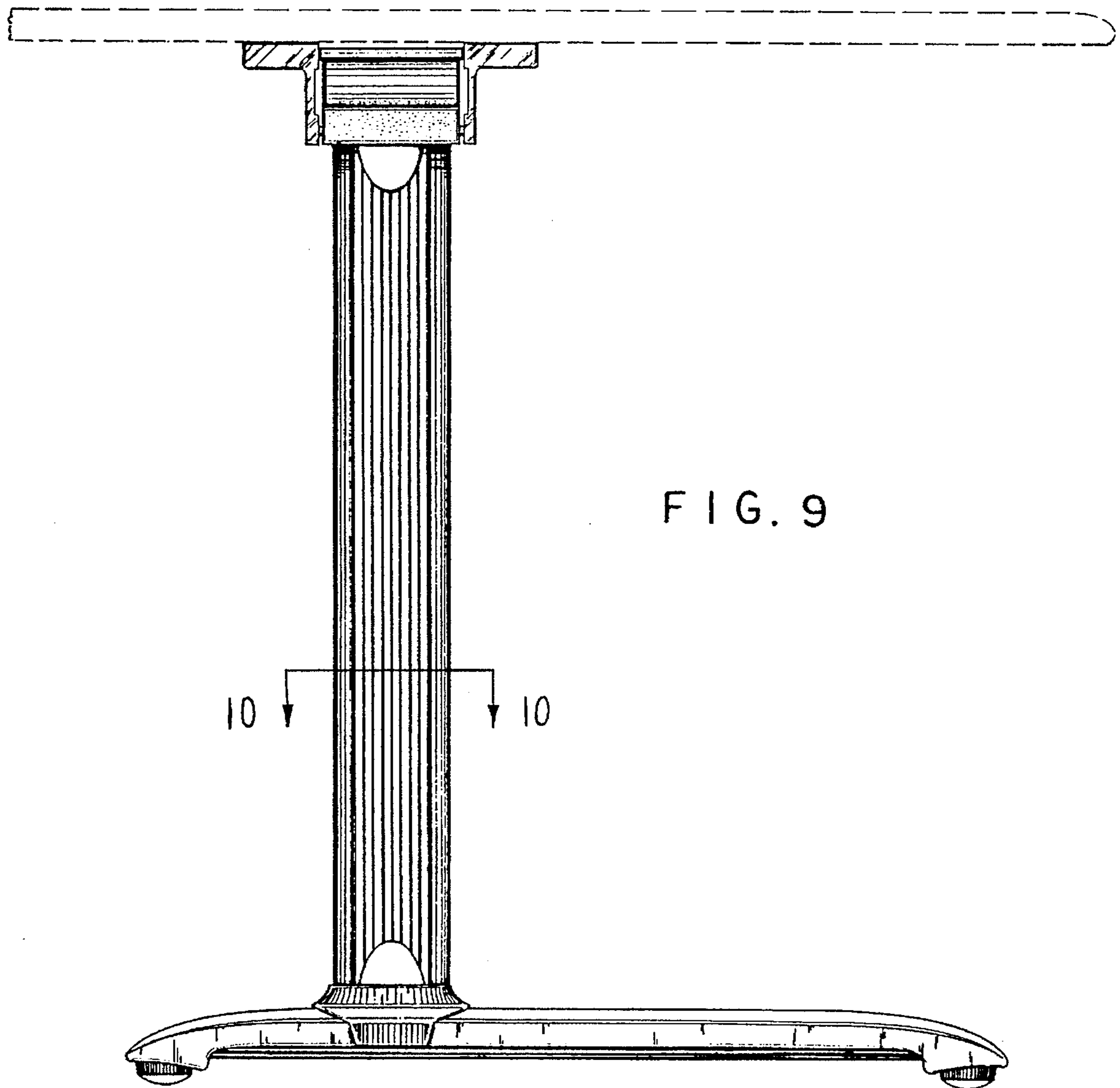


FIG. 9

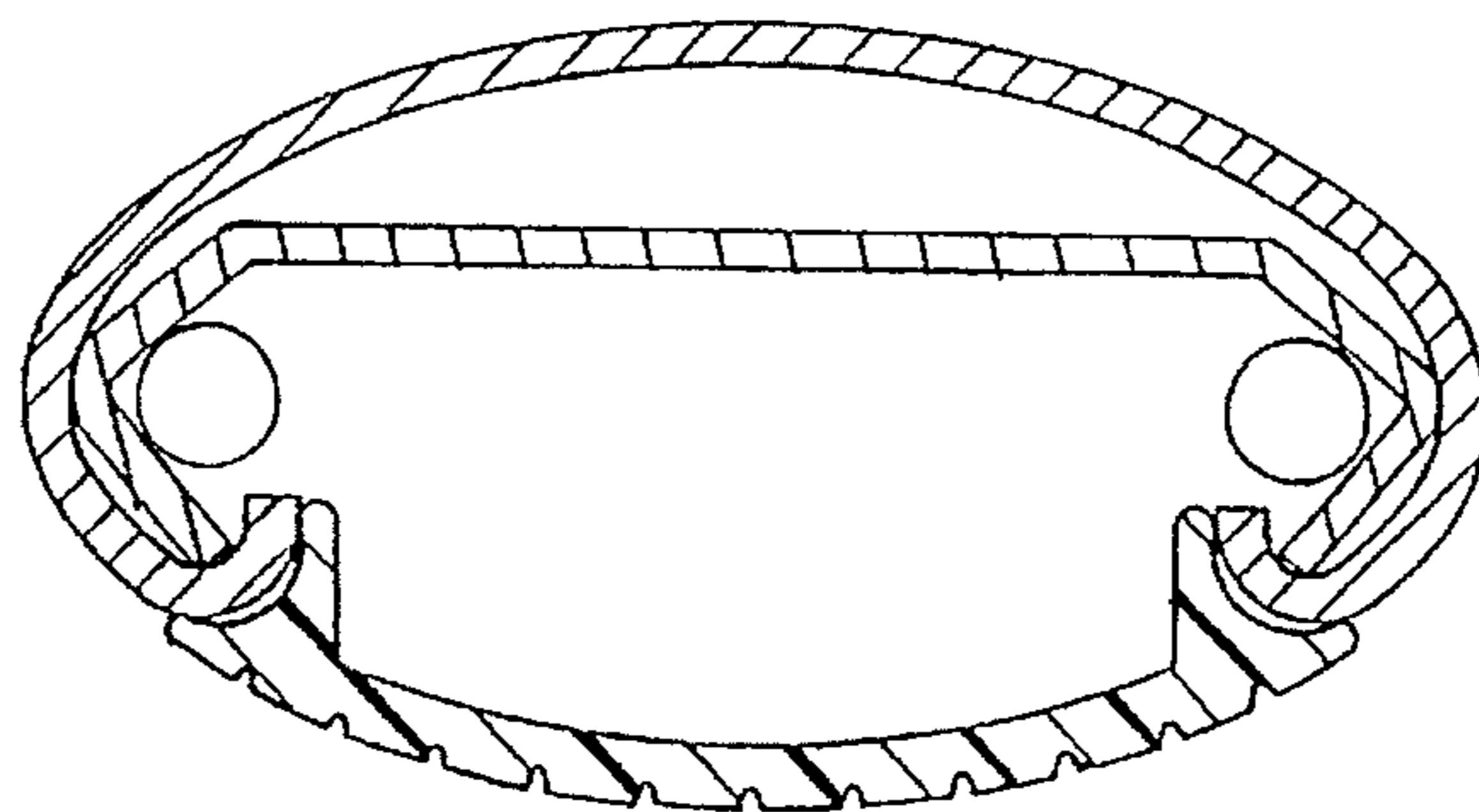


FIG. 10

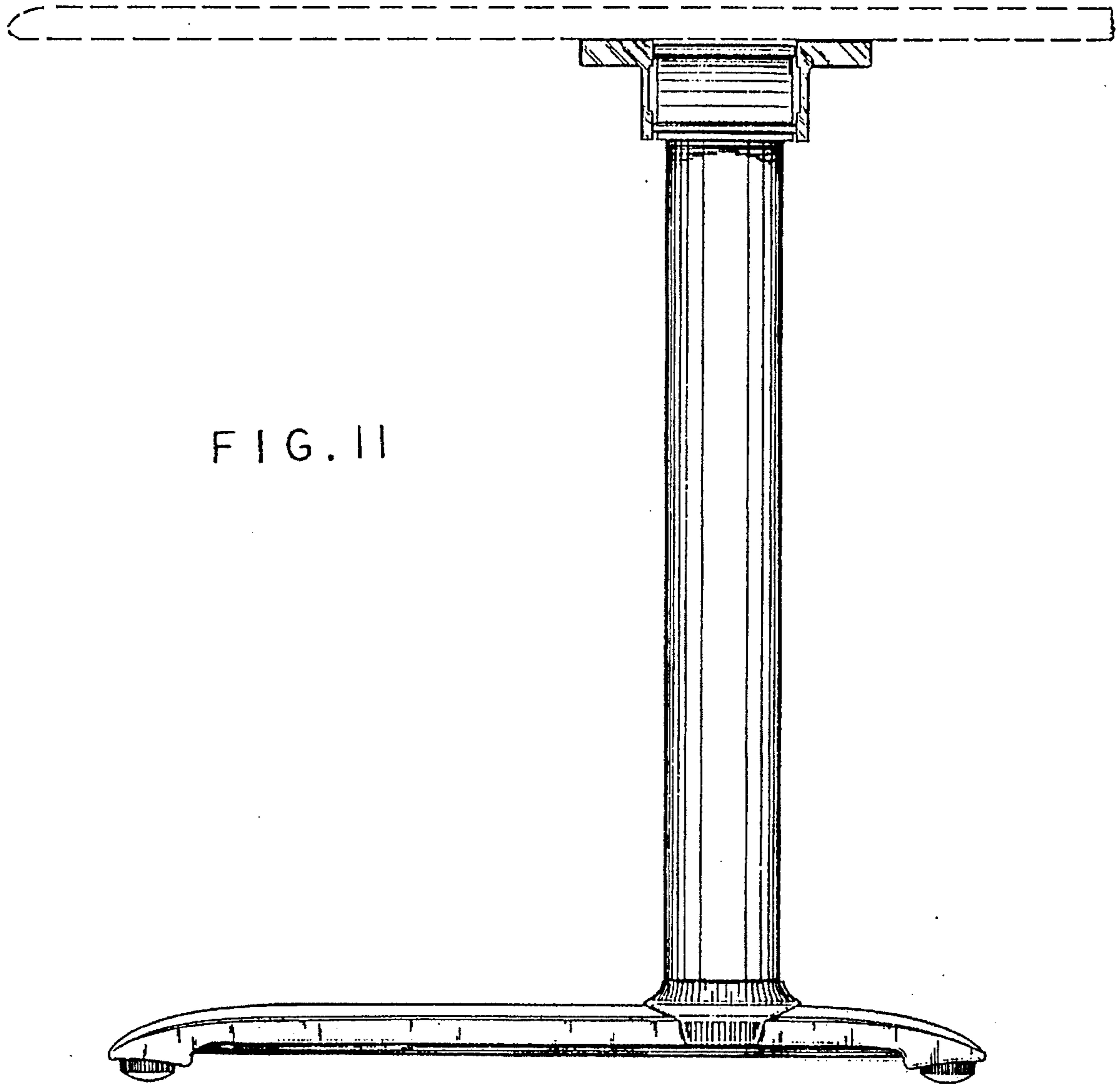


FIG. II

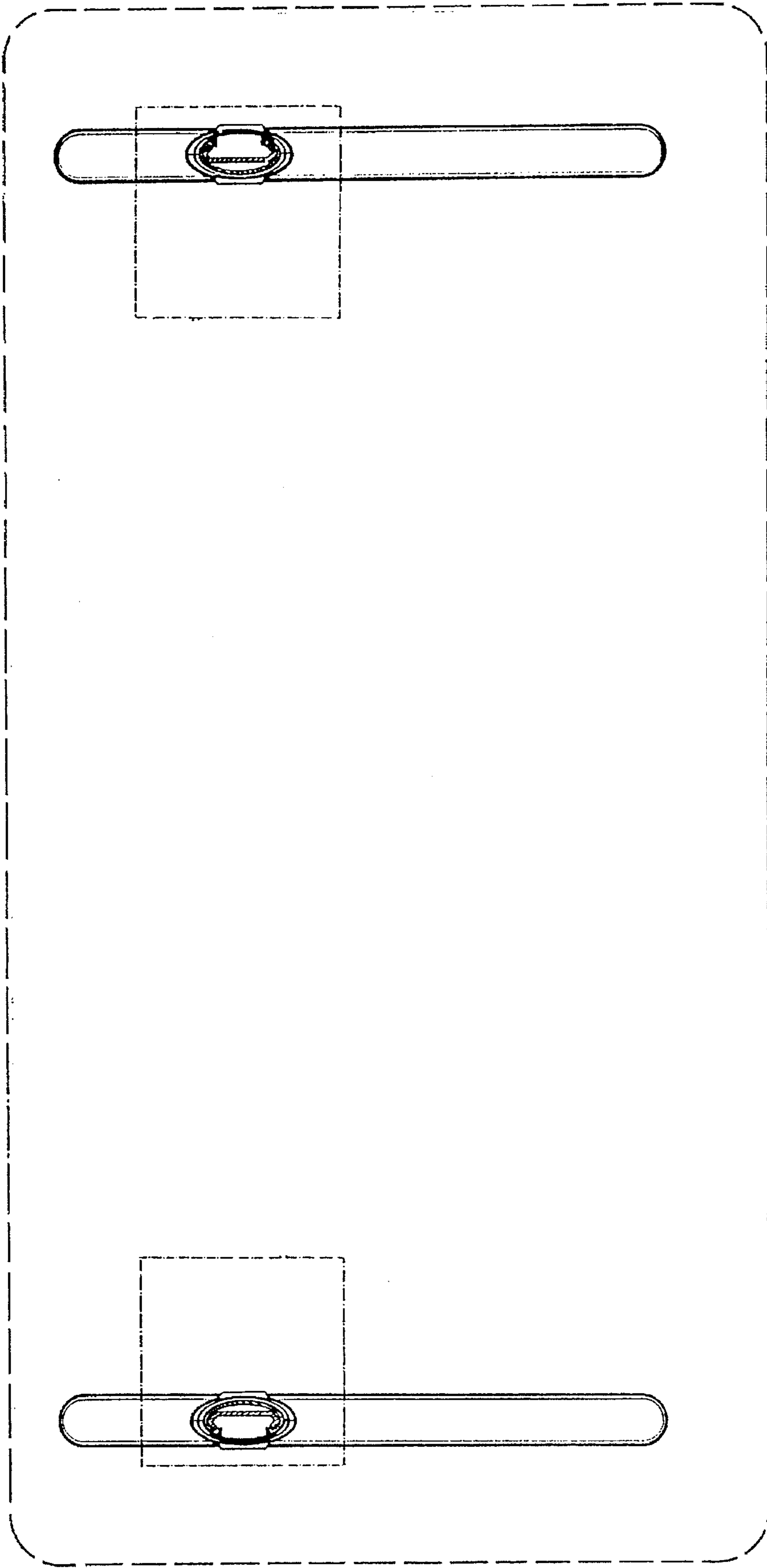


FIG. 12