



US00D379124S

United States Patent [19]

Bantly et al.

[11] Patent Number: Des. 379,124

[45] Date of Patent: **May 13, 1997

[54] HANDLE FOR SCRUB BRUSH

[75] Inventors: **Matt Bantly**, Granby, Conn.; **Kathryn K. McEntee**, Washington, N.C.

[73] Assignee: **Rubbermaid Cleaning Products Inc.**, Greenville, N.C.

[**] Term: **14 Years**

1,890,812 12/1932 Hartwell 15/229.13
 1,958,408 5/1934 Jelliffe et al. 15/229.13
 4,580,307 4/1986 Moss 15/147 R
 5,339,481 8/1994 Hoagland 15/111
 5,355,545 10/1994 Hoagland 15/111

FOREIGN PATENT DOCUMENTS

1341241 9/1963 France 15/210.1

OTHER PUBLICATIONS

[21] Appl. No.: **53,647**

[22] Filed: **Apr. 26, 1996**

[51] LOC (6) Cl. **04-01**

[52] U.S. Cl. **D4/138**

[58] Field of Search D4/129, 130, 132, D4/134, 135, 137, 138; D8/45; 15/143.1, 159.1, 160, 235.4, 229.11, 229.13, 244.1

P. 58, Scrub brushes; Zimmerman Brush Co., Catalog No. 780, 900 West Lake Street, Chicago, Illinois 60607. Published at least as early as Dec., 1987.

Pp. 6, 45, 46 and 81, Scrub brushes; Empire Brushes, Inc., U.S. Highway 13 North, P.O. Box 16016, Greenville, North Carolina 27835. Publication date May, 1993.

Catalog page, Scrub brush; Wilen Manufacturing Co., Georgia. Published at least as early as Dec., 1987.

Primary Examiner—A. Hugo Word
Assistant Examiner—Lavone D. Tabor
Attorney, Agent, or Firm—Richard B. O'Planick; Lisa B. Riedesel

[56] References Cited

U.S. PATENT DOCUMENTS

D. 126,041 3/1941 Cosby D4/129
 139,383 5/1873 Goodsell 15/235.4
 D. 240,473 7/1976 Parker D4/129
 D. 269,565 7/1983 Goldstaub D4/129
 D. 307,518 5/1990 Bryant D4/138
 D. 329,452 9/1992 Murphy et al. D4/129
 D. 344,635 3/1994 Berti D4/138
 D. 346,499 5/1994 Berti D4/199
 D. 349,635 8/1994 Berti et al. D8/14
 D. 354,170 1/1995 Libman D4/199
 D. 356,445 3/1995 Hoagland D4/138
 D. 356,446 3/1995 Hoagland D4/138
 D. 357,127 4/1995 Hoagland D4/138
 D. 357,586 4/1995 Tubman D4/133
 D. 359,854 7/1995 Hoagland D4/138
 D. 360,763 8/1995 Camp, Jr. et al. D4/138
 D. 360,988 8/1995 Laubach, III et al. D4/138
 D. 363,609 10/1995 Bochnak et al. D4/138
 D. 366,762 2/1996 Ward D4/136

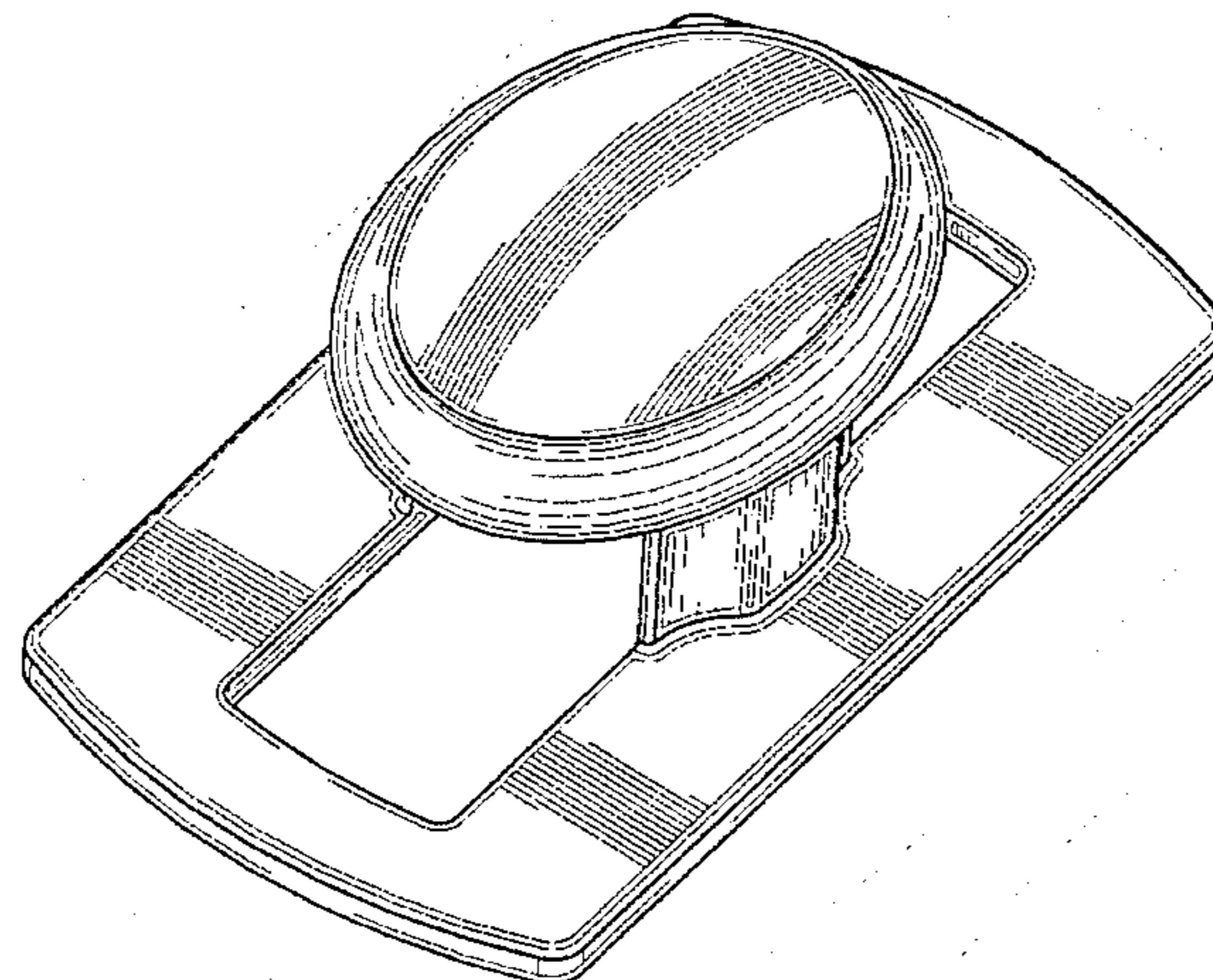
[57] CLAIM

The ornamental design for a handle for scrub brush, as shown and described.

DESCRIPTION

FIG. 1 is a top left front perspective view of a handle for scrub brush showing our new design;
 FIG. 2 is a top plan view thereof;
 FIG. 3 is a front elevational view thereof; the rear elevational view being a mirror image; and,
 FIG. 4 is a right side elevational view thereof; the left side elevational view being a mirror image.
 The broken lines are for illustrative purposes only and form no part of the claimed design.

1 Claim, 4 Drawing Sheets



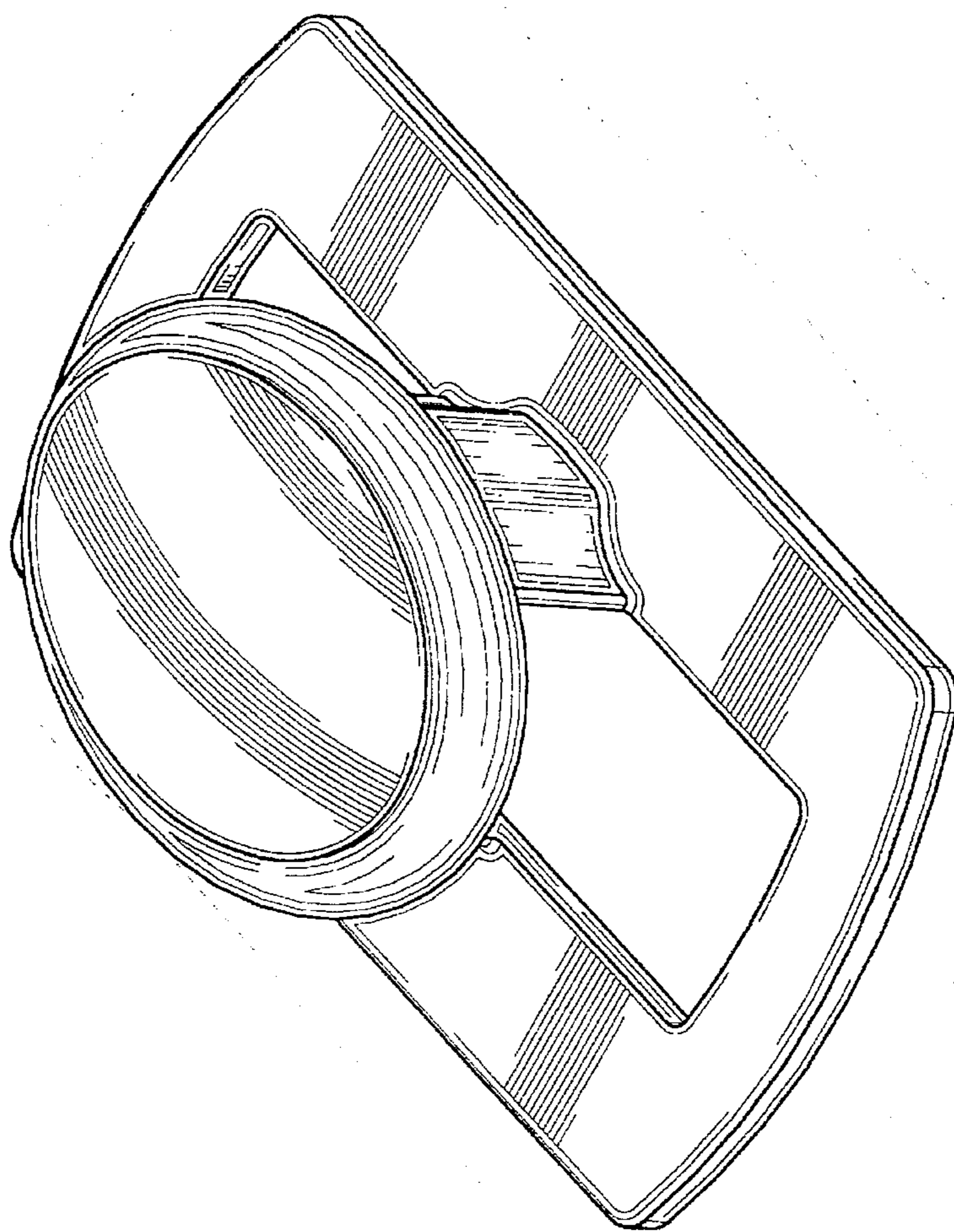


FIG. 1

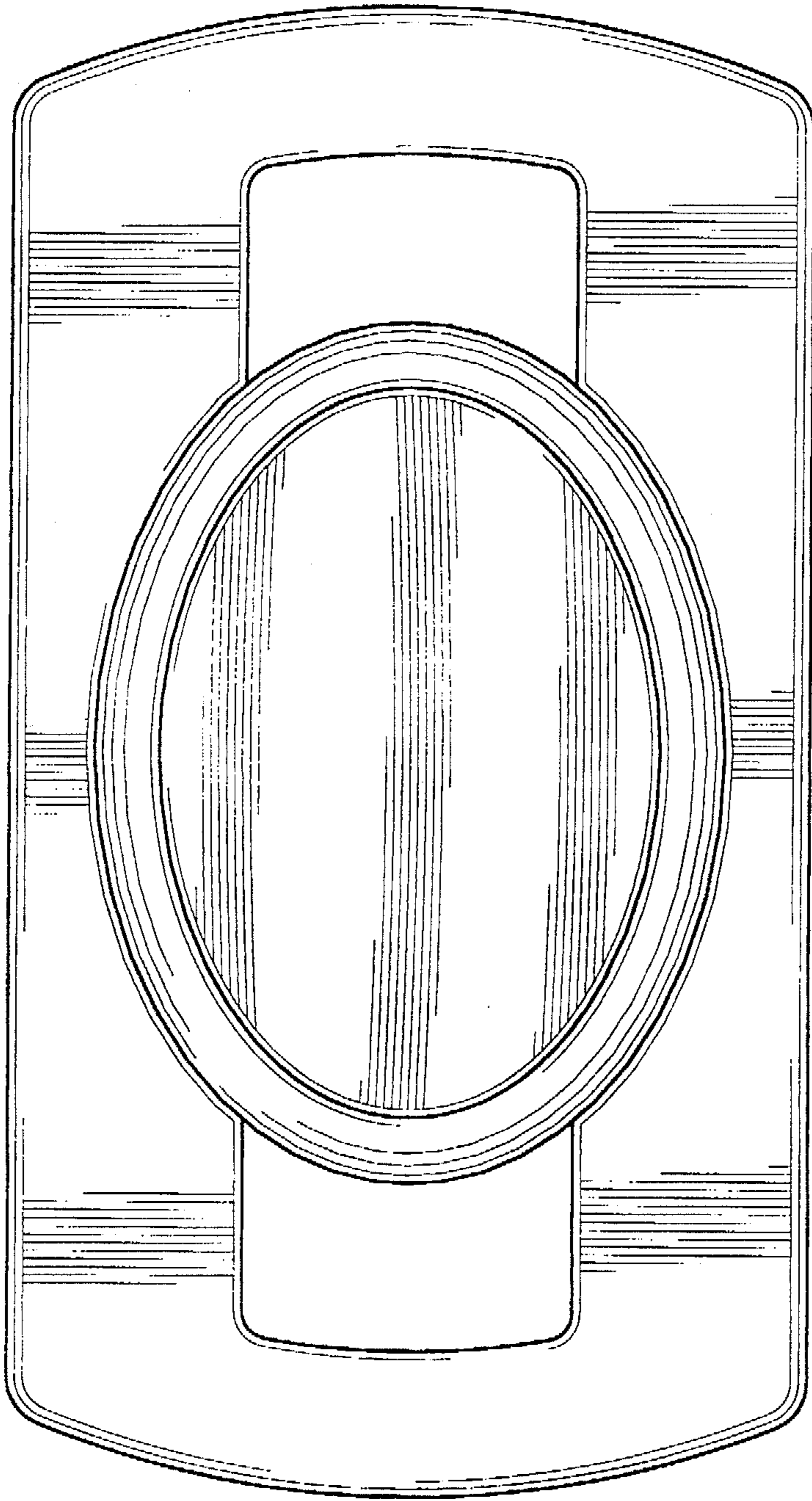


FIG. 2

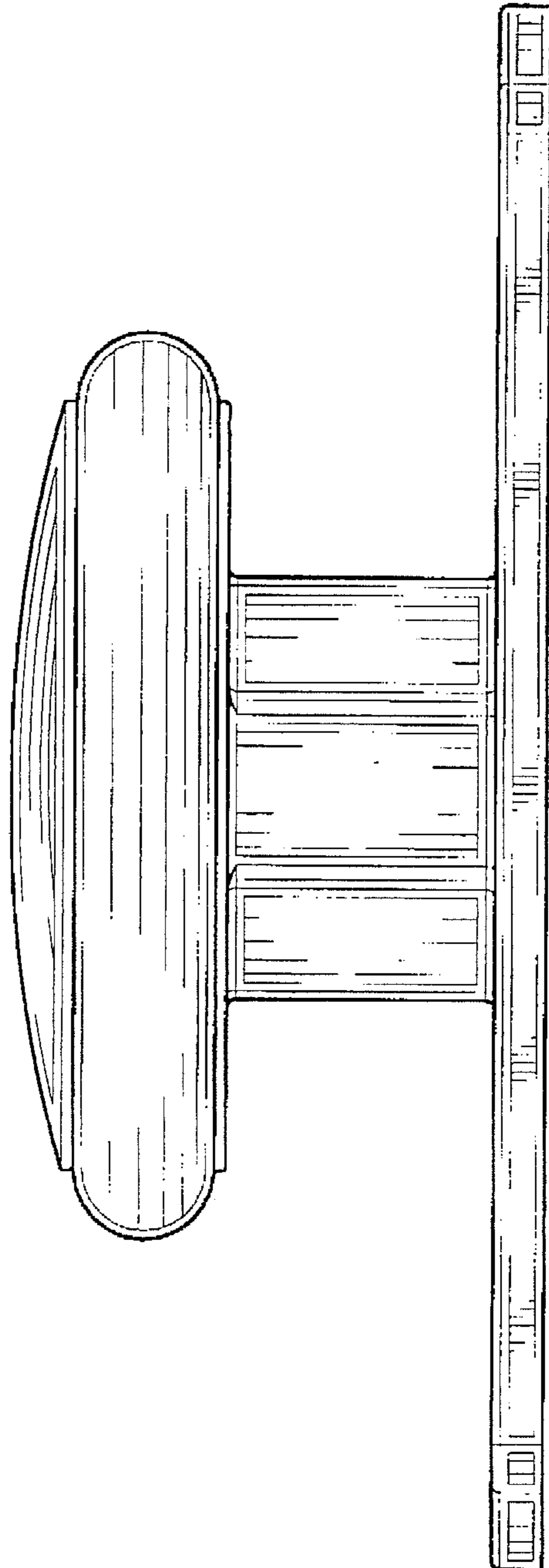


FIG. 3

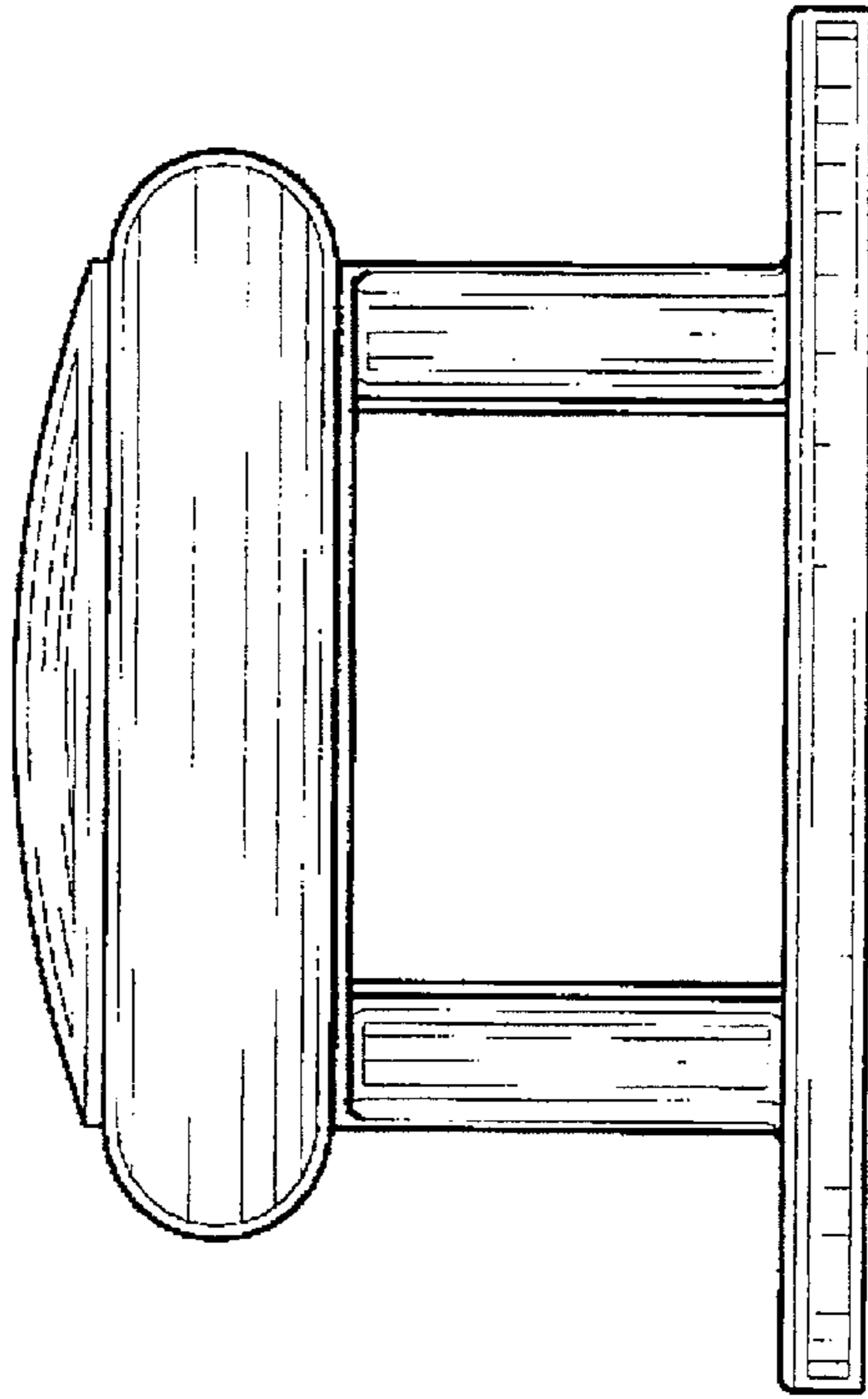


FIG. 4