



US00D379118S

# United States Patent [19]

[11] Patent Number: **Des. 379,118**

Wilson

[45] Date of Patent: **\*\*May 13, 1997**

[54] **BEEPER POUCH**

4,479,596	10/1984	Swanson	.....	D3/218	X
4,534,063	8/1985	Krumin et al.	.....	224/199	X
5,398,855	3/1995	Schaeiwitz	.....	224/202	X

[76] Inventor: **Celina X. Wilson**, 65 Park Dr., Rocky Point, N.Y. 11778

*Primary Examiner*—Doris V. Coles  
*Assistant Examiner*—Catherine R. Oliver

[\*\*] Term: **14 Years**

[57] **CLAIM**

[21] Appl. No.: **46,688**

The ornamental design for a beeper pouch, as shown and described.

[22] Filed: **Oct. 23, 1995**

[51] LOC (6) Cl. .... **03-01**

**DESCRIPTION**

[52] U.S. Cl. .... **D3/218; D3/226**

[58] **Field of Search** ..... D3/218, 215, 224, D3/226, 230; D14/138, 251, 253; 224/222, 224, 226, 240, 241, 242, 199, 202

FIG. 1 is a front elevational view of the beeper pouch showing my new design;  
FIG. 2 is a rear elevational view thereof;  
FIG. 3 is a right view thereof;  
FIG. 4 is a left view thereof;  
FIG. 5 is a top plan view thereof; and,  
FIG. 6 is a bottom plan view thereof.

[56] **References Cited**

**U.S. PATENT DOCUMENTS**

D. 278,761	5/1985	Fuller	.....	D3/218
D. 329,945	10/1992	Benskin	.....	D3/218

**1 Claim, 3 Drawing Sheets**

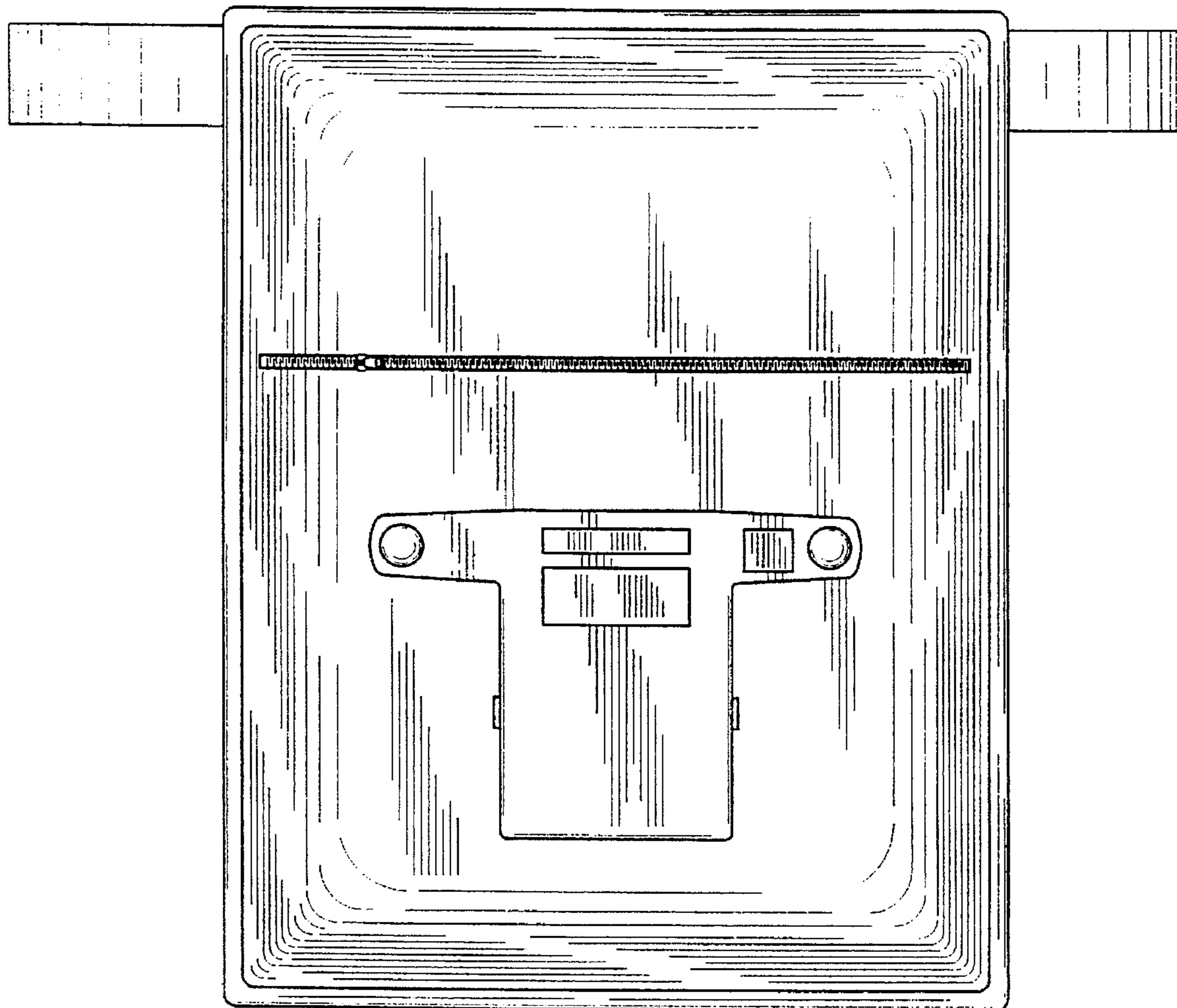


FIG. 1

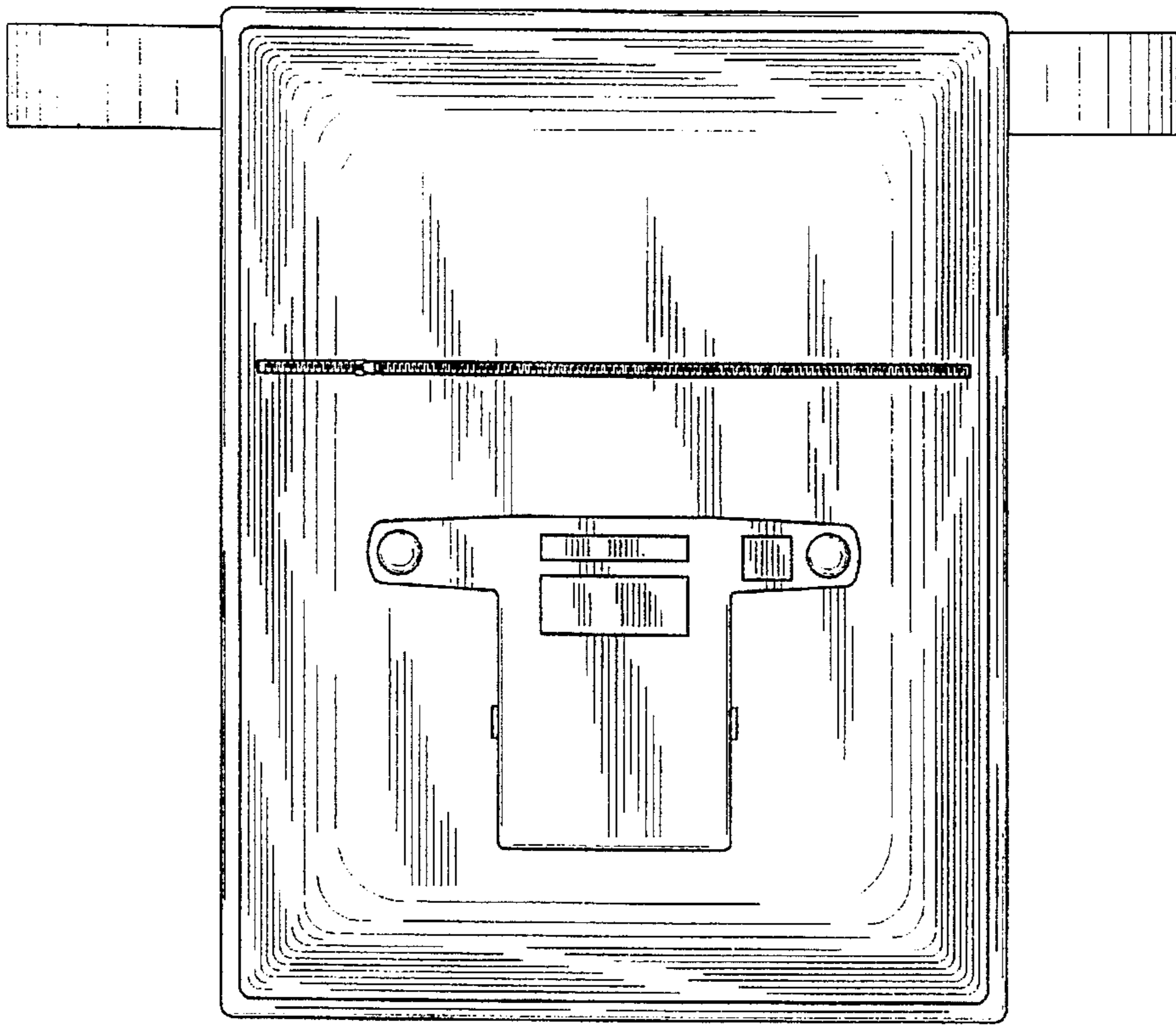


FIG. 2

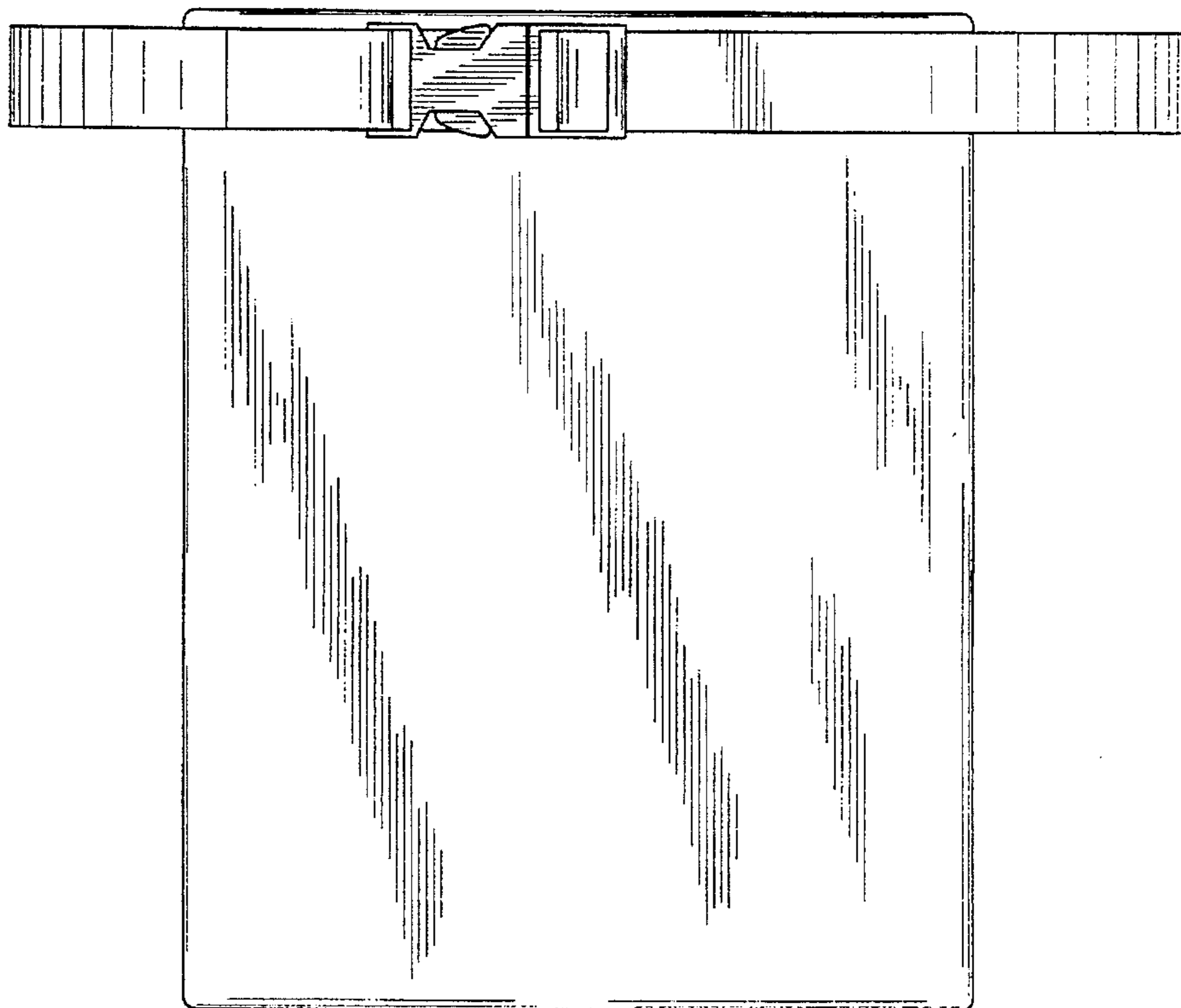


FIG. 3

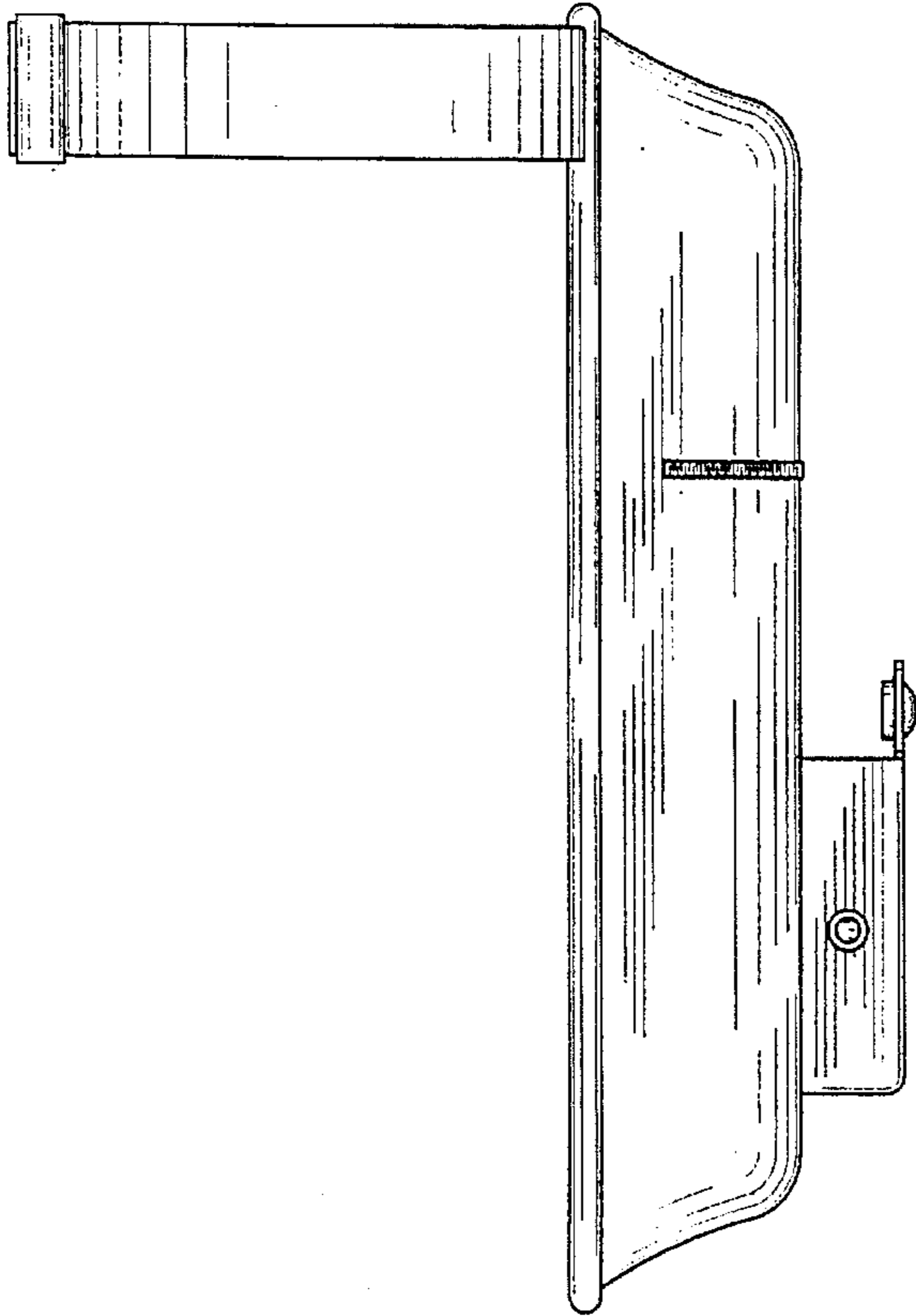


FIG. 4

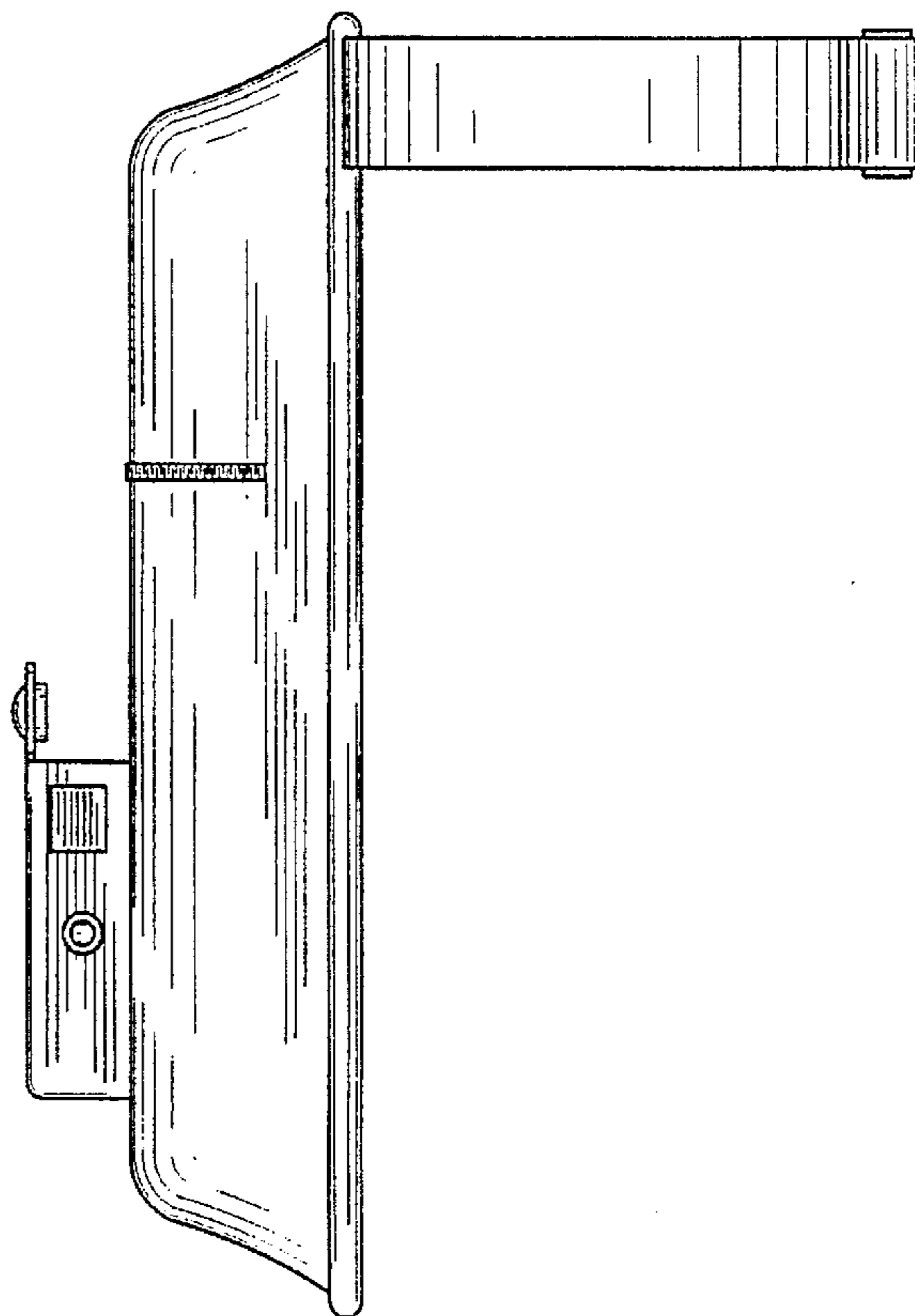


FIG. 5

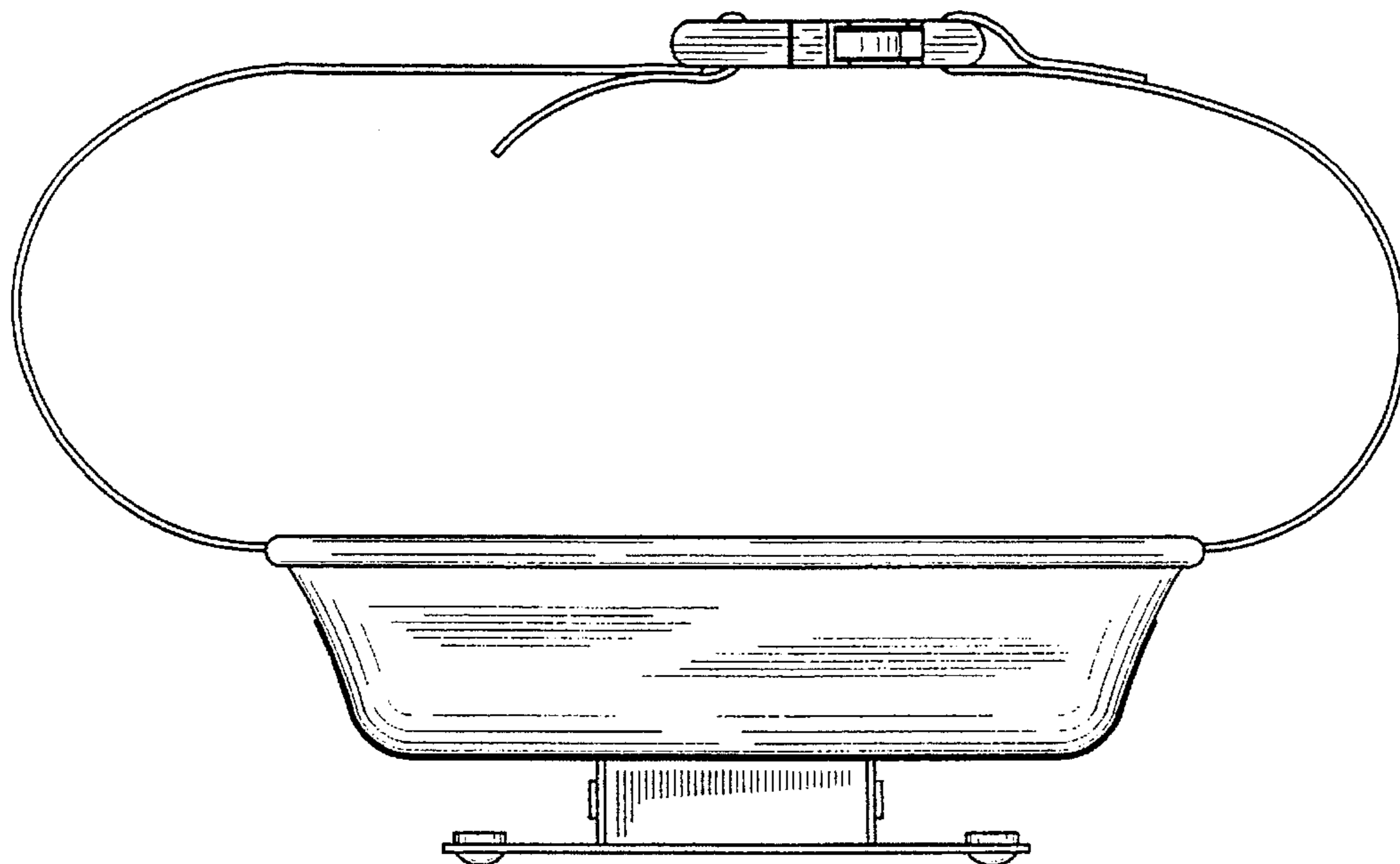


FIG. 6

