



US00D379115S

United States Patent [19] Kramer

[11] Patent Number: Des. 379,115

[45] Date of Patent: **May 13, 1997

[54] FOOTWEAR HEEL CUSHION
[75] Inventor: Timothy M. Kramer, Creve Coeur, Mo.
[73] Assignee: Brown Group, Inc., St. Louis, Mo.
[**] Term: 14 Years
[21] Appl. No.: 41,115
[22] Filed: Jul. 6, 1995

3,087,265 4/1963 McKinley 36/35 R
3,226,852 1/1966 Israel 36/35 R
4,223,457 9/1980 Borgeas 36/37 X
4,918,838 4/1990 Chang 36/28
5,175,946 1/1993 Tsai 36/35 B X

Primary Examiner—Doris V. Coles
Attorney, Agent, or Firm—Polster, Lieder, Woodruff & Lucchesi, L.C.

[51] LOC (6) Cl. 02-04
[52] U.S. Cl. D2/968; D2/964
[58] Field of Search D2/968, 964, 961,
D2/962; 36/34 R, 59 R, 3 B, 28, 44, 1,
36 R, 37, 36 B, 36 C

[57] CLAIM

The ornamental design for a footwear heel cushion, as shown and described.

DESCRIPTION

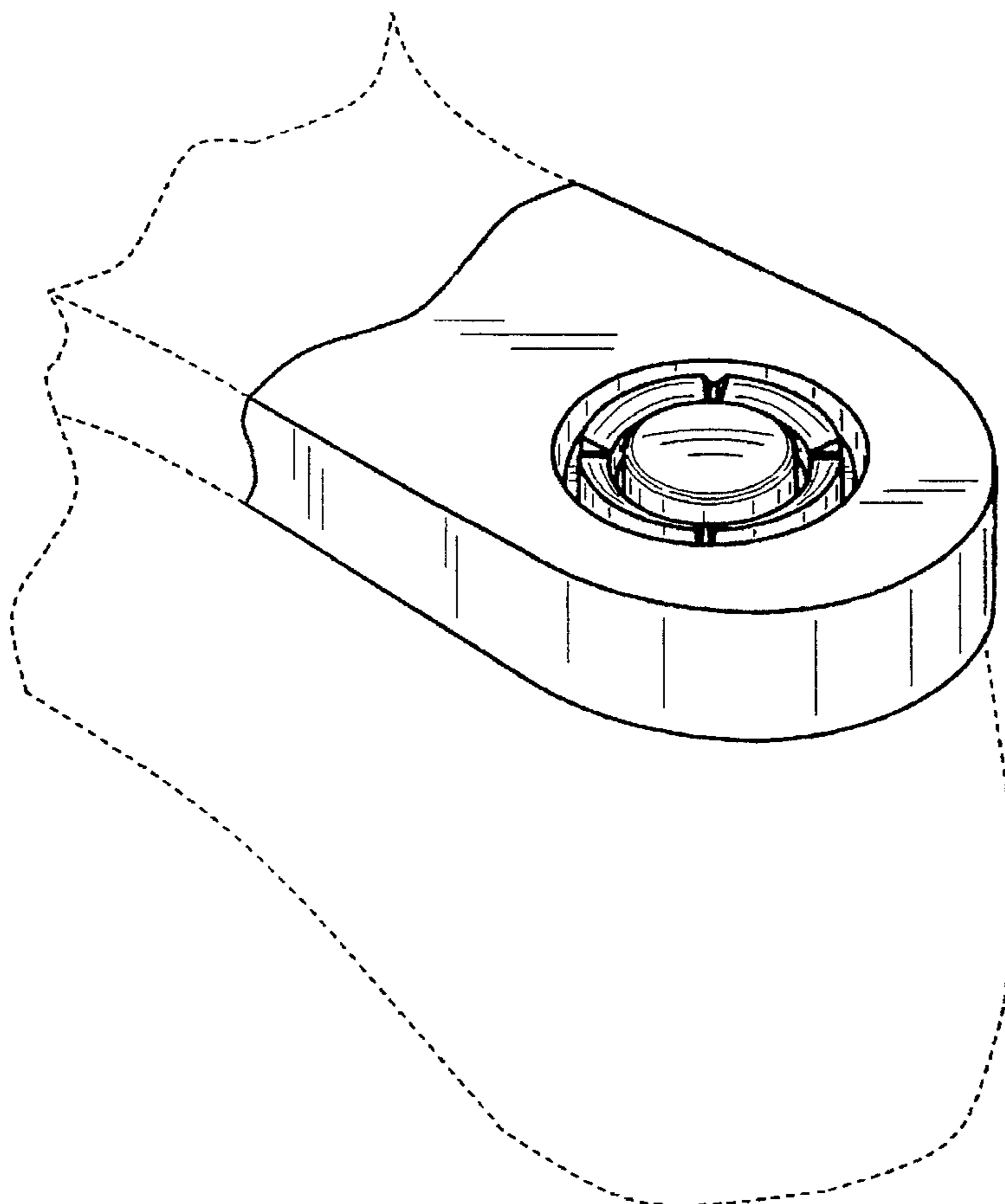
FIG. 1 is a perspective view of a footwear heel cushion, showing my new design;
FIG. 2 is a side elevational view, the opposite side being a mirror image thereof;
FIG. 3 is a bottom plan view thereof;
FIG. 4 is a cross sectional view, taken along line 4—4 of FIG. 3; and,
FIG. 5 is a cross sectional taken along line 5—5 of FIG. 3. The broken line showing of a portion of a shoe in FIG. 1, a shoe in FIG. 2 and a portion of a sole in FIG. 3 is for illustrative purposes only and forms no part of the claimed design.

[56] References Cited

U.S. PATENT DOCUMENTS

D. 291,945 9/1987 Kelley et al. .
D. 292,541 11/1987 Kelley .
D. 299,084 12/1988 Tanel D2/962
D. 328,815 8/1992 Legacki et al. .
D. 329,742 9/1992 Byrne et al. .
D. 332,690 1/1993 Truelsen .
D. 347,936 6/1994 Takaoka D2/960
2,157,912 5/1939 Nabokin 36/37
2,708,320 5/1955 Hilton 36/1

1 Claim, 2 Drawing Sheets



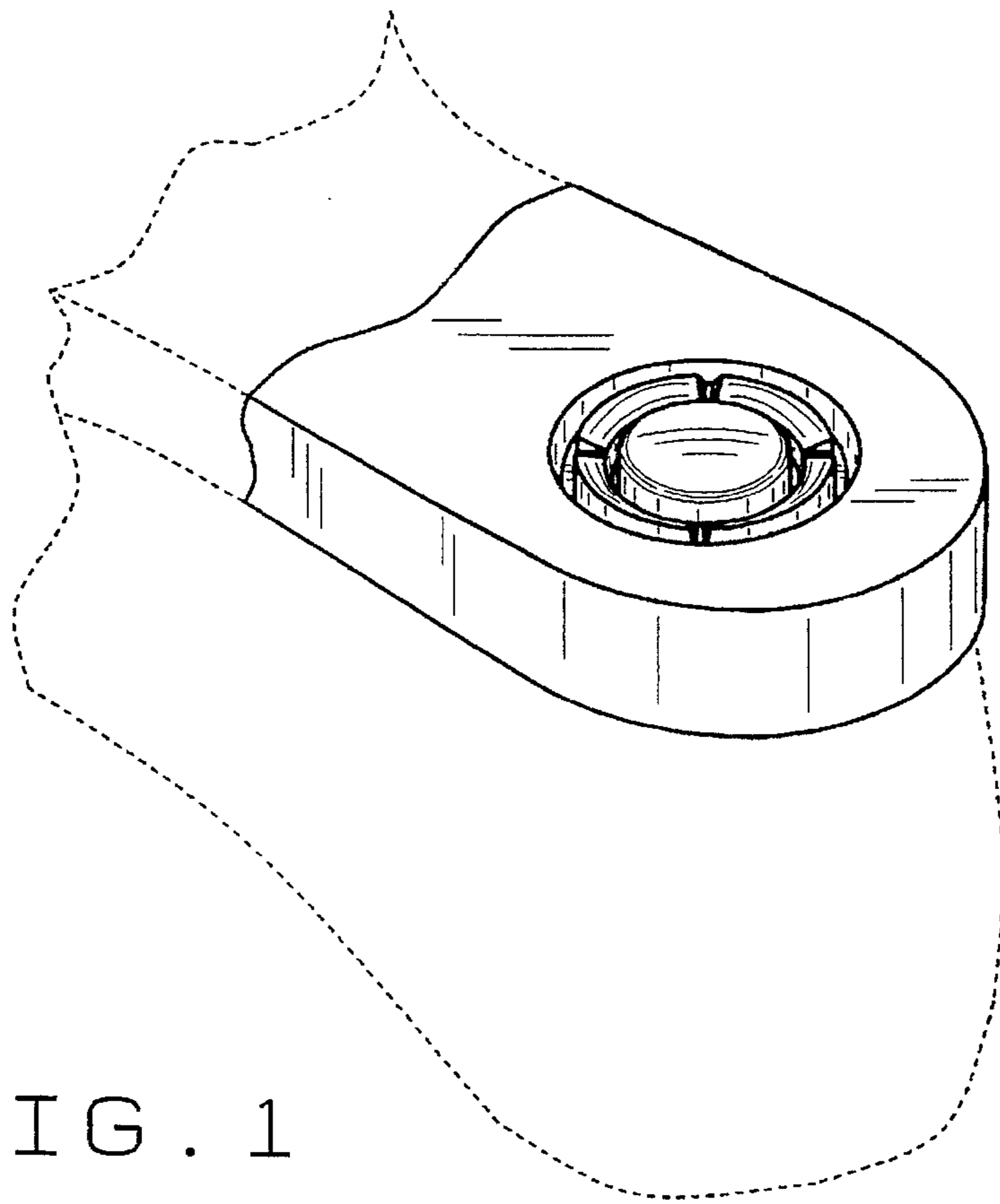


FIG. 1

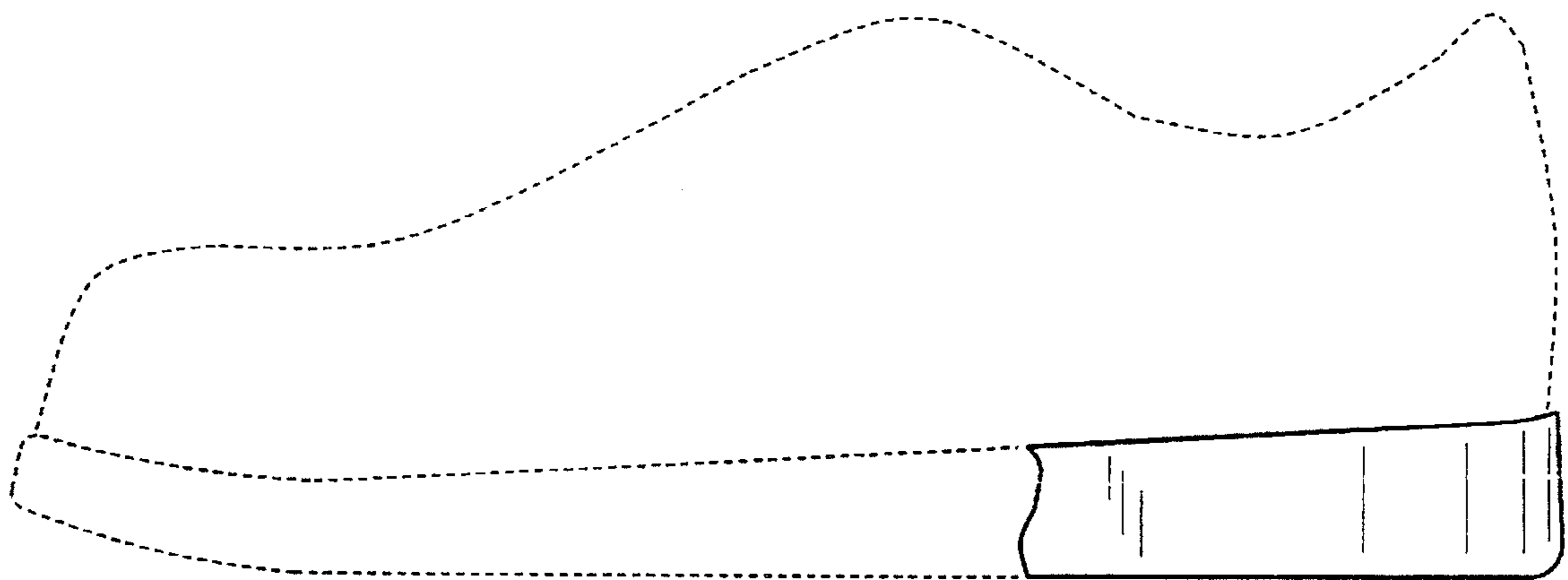


FIG. 2

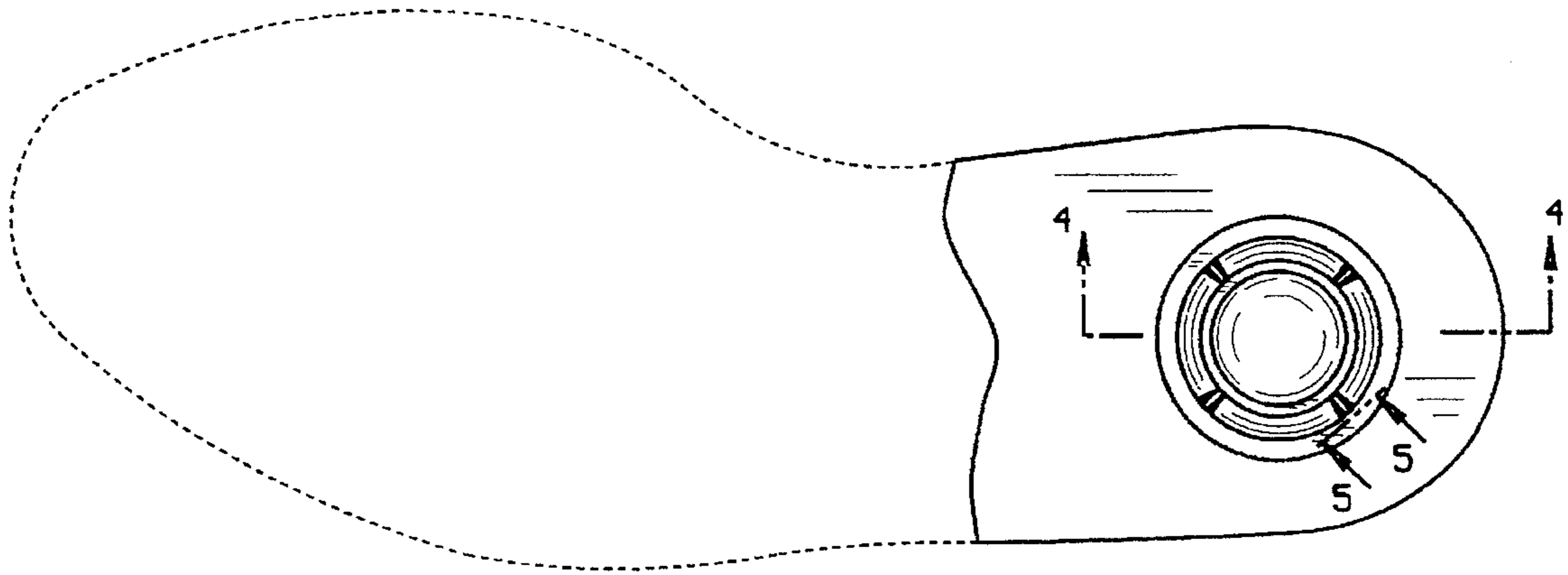


FIG. 3

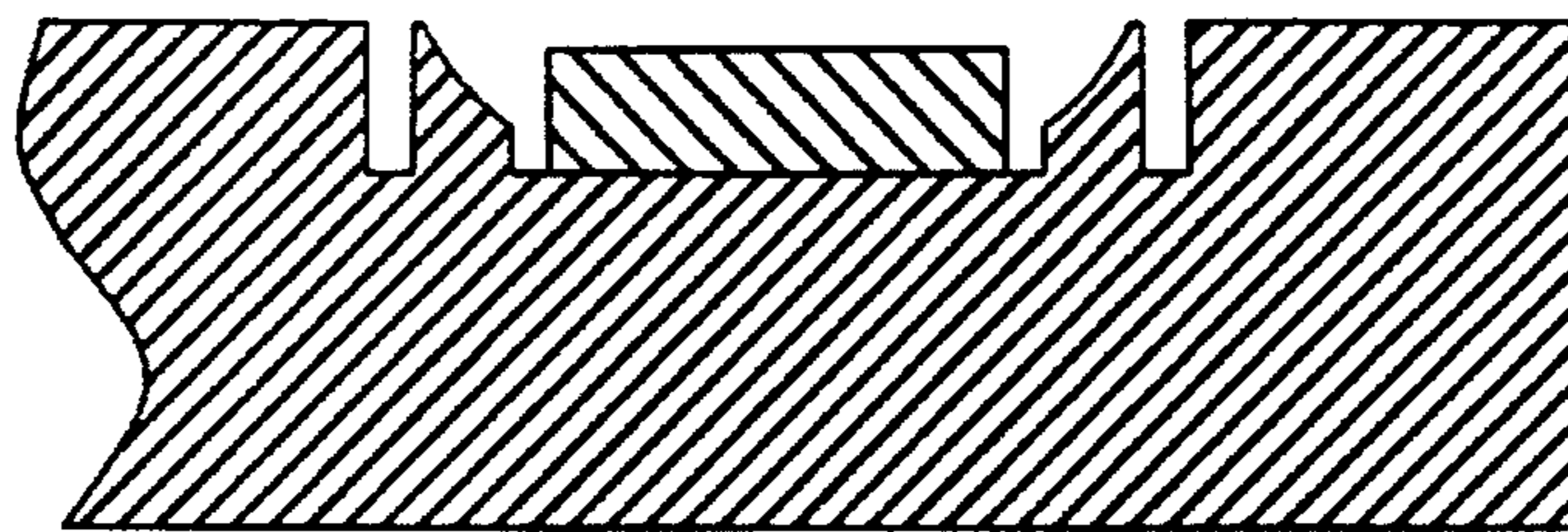


FIG. 4

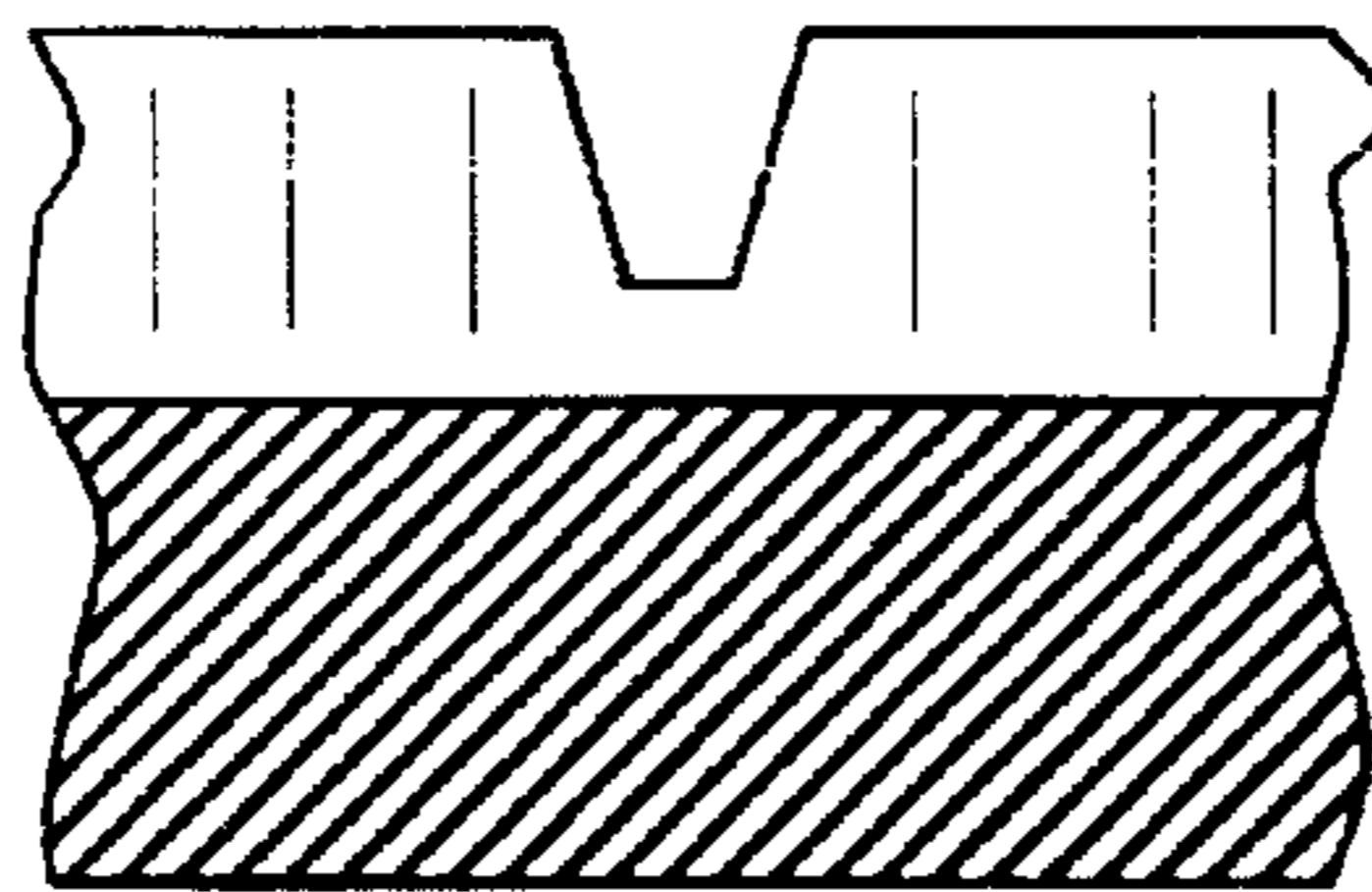


FIG. 5