



US00D379101S

# United States Patent [19]

Griffin et al.

[11] Patent Number: **Des. 379,101**

[45] Date of Patent: **\*\*May 6, 1997**

[54] **GAME TABLE**

[76] Inventors: **Deloris A. Griffin; Marc K. Griffin,**  
both of 40 E. Ninth St., Apartment  
1309, Chicago, Ill. 60605

[\*\*] Term: **14 Years**

[21] Appl. No.: **911,811**

[22] Filed: **May 7, 1992**

[\*] Notice: The terminal 22 months of this patent has  
been disclaimed.

[51] LOC (6) Cl. .... **21-01**

[52] U.S. Cl. .... **D21/7; D21/16; D21/32**

[58] Field of Search ..... **D21/16, 14, 39,**  
**D21/40, 17, 7, 5, 32; 273/108, 109, 118 R,**  
**123 R, 280**

[56] **References Cited**

**U.S. PATENT DOCUMENTS**

D. 30,396 3/1899 Hourd ..... D21/17

|            |         |              |       |           |
|------------|---------|--------------|-------|-----------|
| D. 225,421 | 12/1972 | Zelenko      | ..... | D21/16    |
| 286,868    | 10/1883 | Thompson     | ..... | D21/17 X  |
| D. 294,043 | 2/1988  | Haines       | ..... | D21/32    |
| D. 324,887 | 3/1992  | Cecalek      | ..... | D21/17    |
| 931,470    | 8/1909  | Patton       | ..... | 273/123 R |
| 1,491,527  | 4/1924  | Greco        | ..... | D21/14 X  |
| 3,526,404  | 9/1970  | Wiggins      | ..... | 273/118 R |
| 4,549,737  | 10/1985 | Seyer et al. | ..... | 273/118 R |

*Primary Examiner*—Melvin B. Feifer

*Assistant Examiner*—Cheri Cohen

[57] **CLAIM**

The ornamental design for a game table, as shown and described.

**DESCRIPTION**

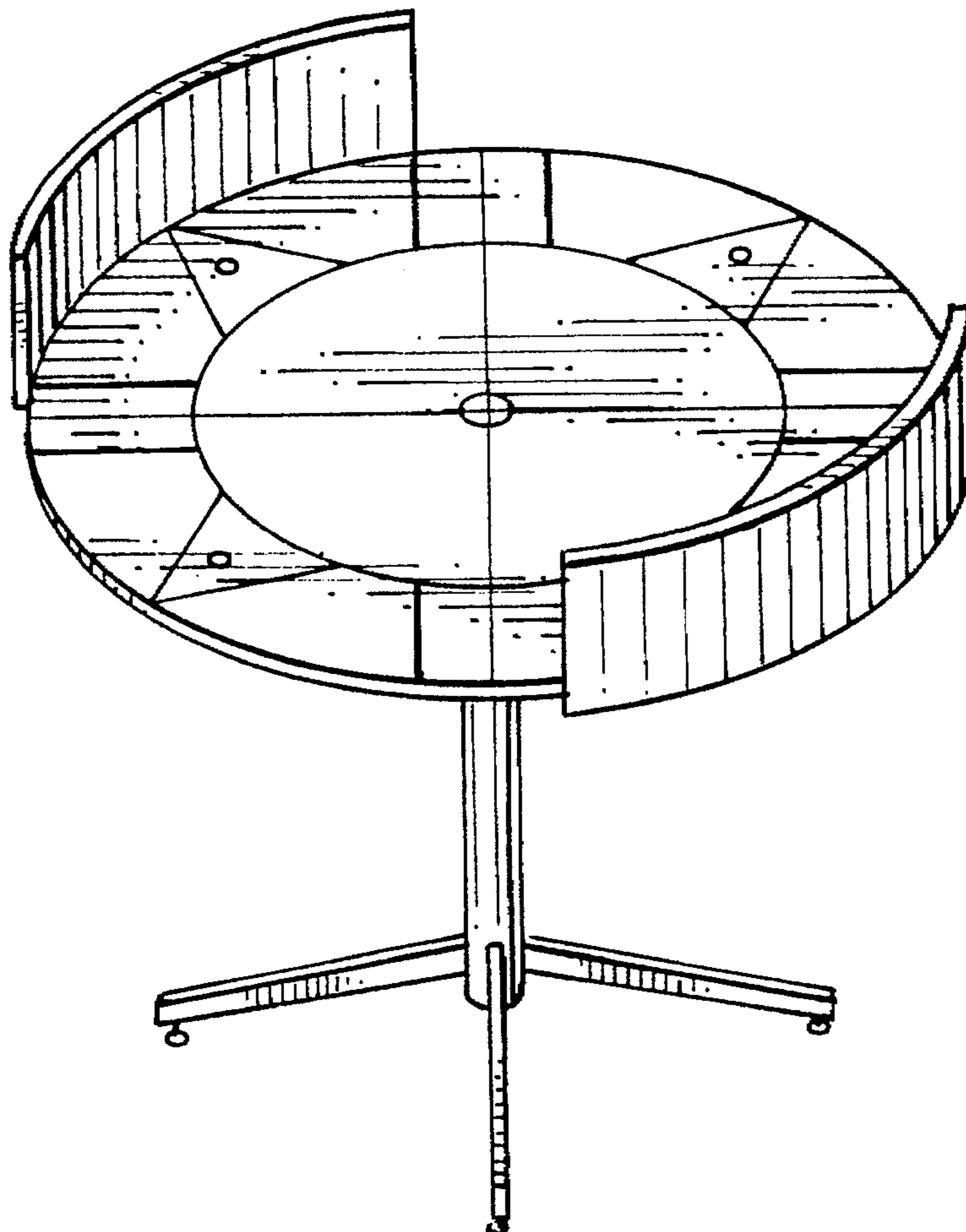
FIG. 1 is a perspective view of a game table showing our new design;

FIG. 2 is a top plan view thereof;

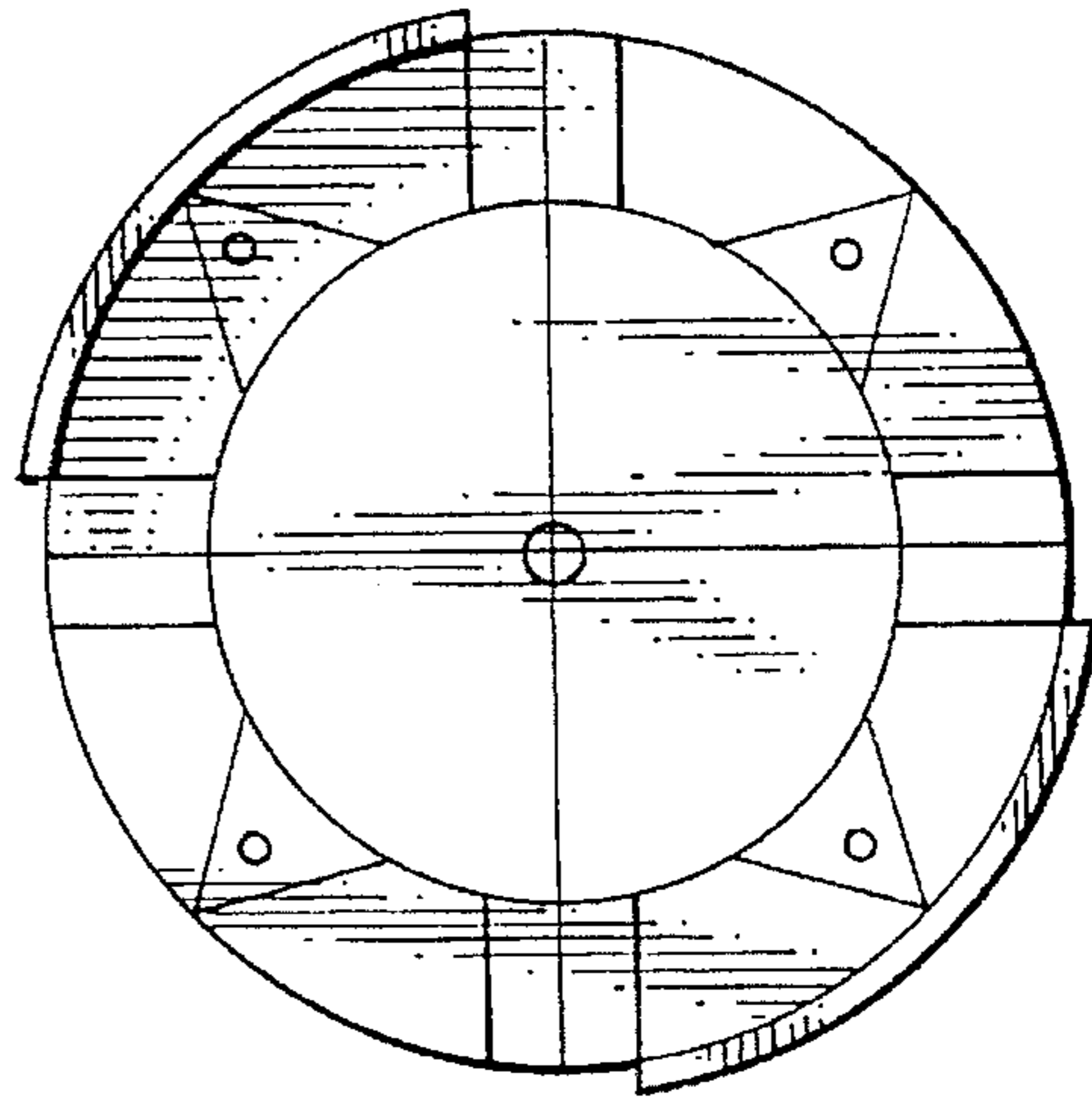
FIG. 3 is a front elevational view thereof; the back elevational view being the mirror image thereof; and,

FIG. 4 is a bottom plan view thereof.

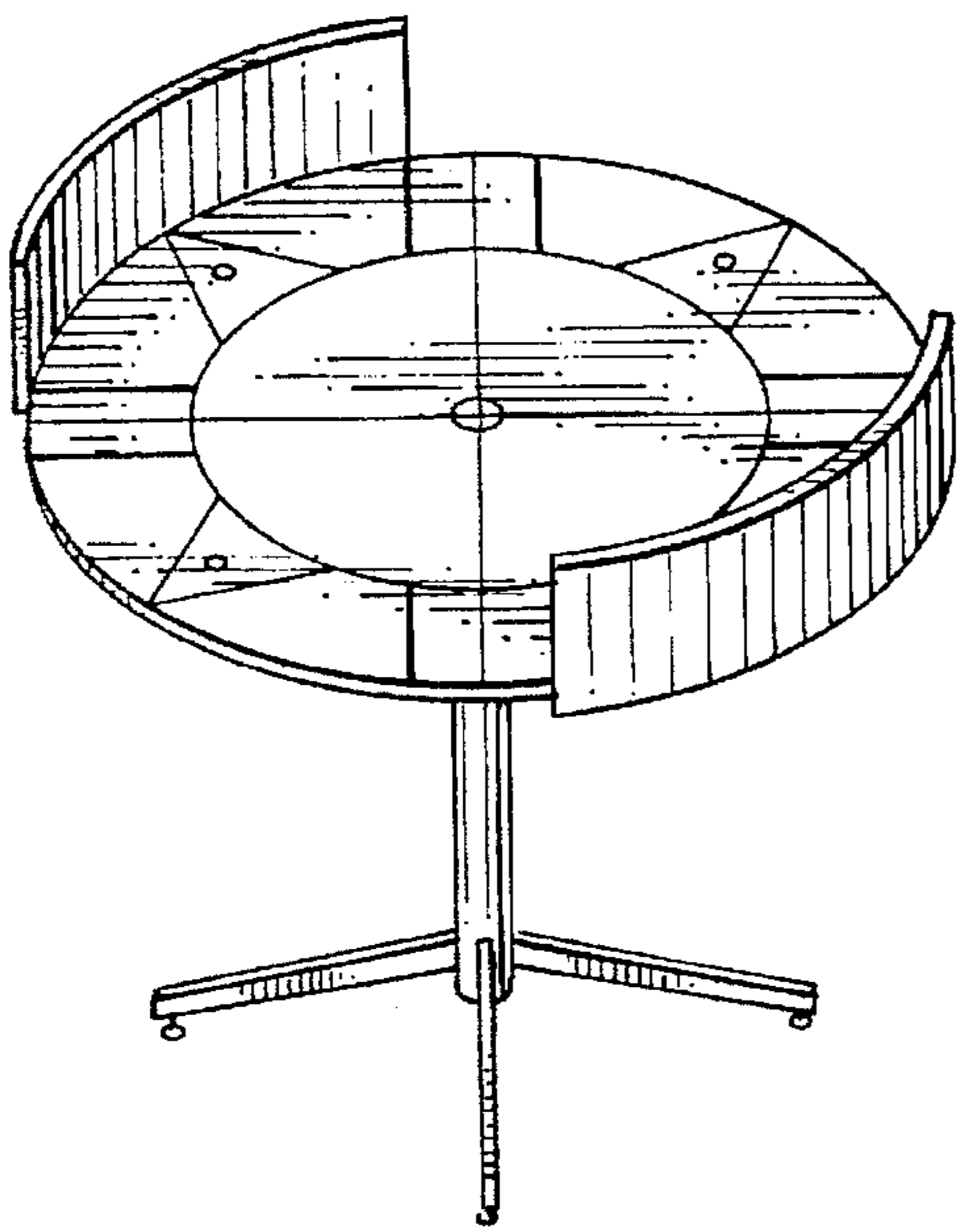
**1 Claim, 1 Drawing Sheet**



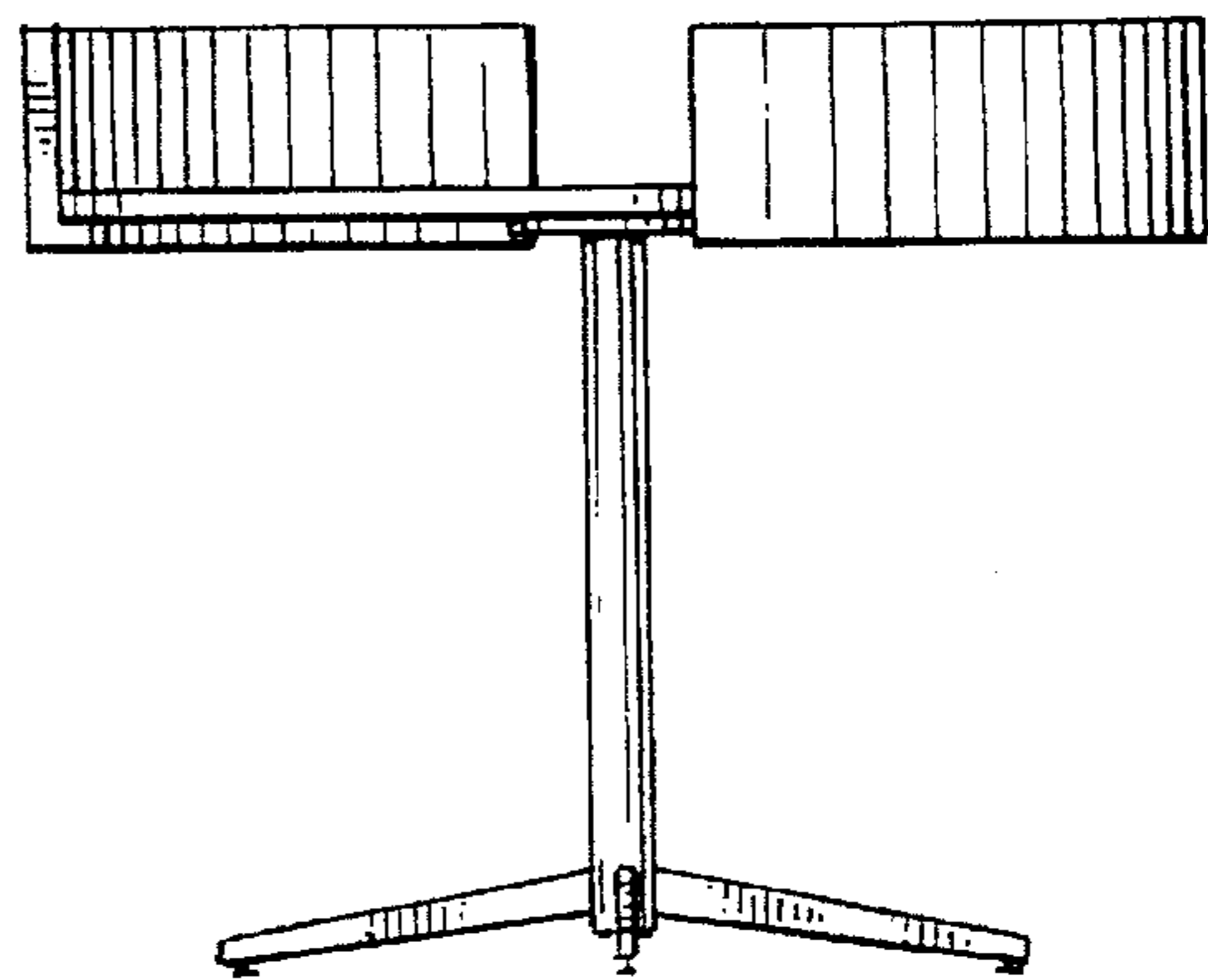
*Fig. 2*



*Fig. 1*



*Fig. 3*



*Fig. 4*

