



US00D379097S

United States Patent [19]

[11] Patent Number: **Des. 379,097**

Brewer

[45] Date of Patent: ****May 6, 1997**

[54] CONTAINER FOR AN OIL WELL STUFFING BOX

[76] Inventor: **Jack G. Brewer**, 99 Maple La., Chickasha, Okla. 73018

[**] Term: **14 Years**

[21] Appl. No.: **51,867**

[22] Filed: **Mar. 8, 1996**

[51] LOC (6) Cl. **15-99**

[52] U.S. Cl. **D15/150; D15/199**

[58] Field of Search D15/150, 199; D23/200, 499; 73/40; 166/77.5, 81-95, 241.6, 241.7; 175/66, 84, 202, 207-209; 141/86

[56] **References Cited**

U.S. PATENT DOCUMENTS

2,513,714	7/1950	Cordes	166/18.1	X
2,716,455	8/1955	Jones, Jr. .		
4,665,976	5/1987	Retherford	166/81	
5,121,794	6/1992	Hibdon et al.	166/81	

5,150,751	9/1992	Burton et al.	166/81
5,184,608	2/1993	Hale, III	138/89
5,211,227	5/1993	Anderson	166/84
5,246,067	9/1993	Heinonen et al.	166/81
5,295,536	3/1994	Bode	166/81
5,309,991	5/1994	Watkins	166/77.5
5,351,753	10/1994	Golson	166/81
5,394,939	3/1995	Walker	166/18.1

Primary Examiner—Antoine Duval Davis
Attorney, Agent, or Firm—James T. Robinson

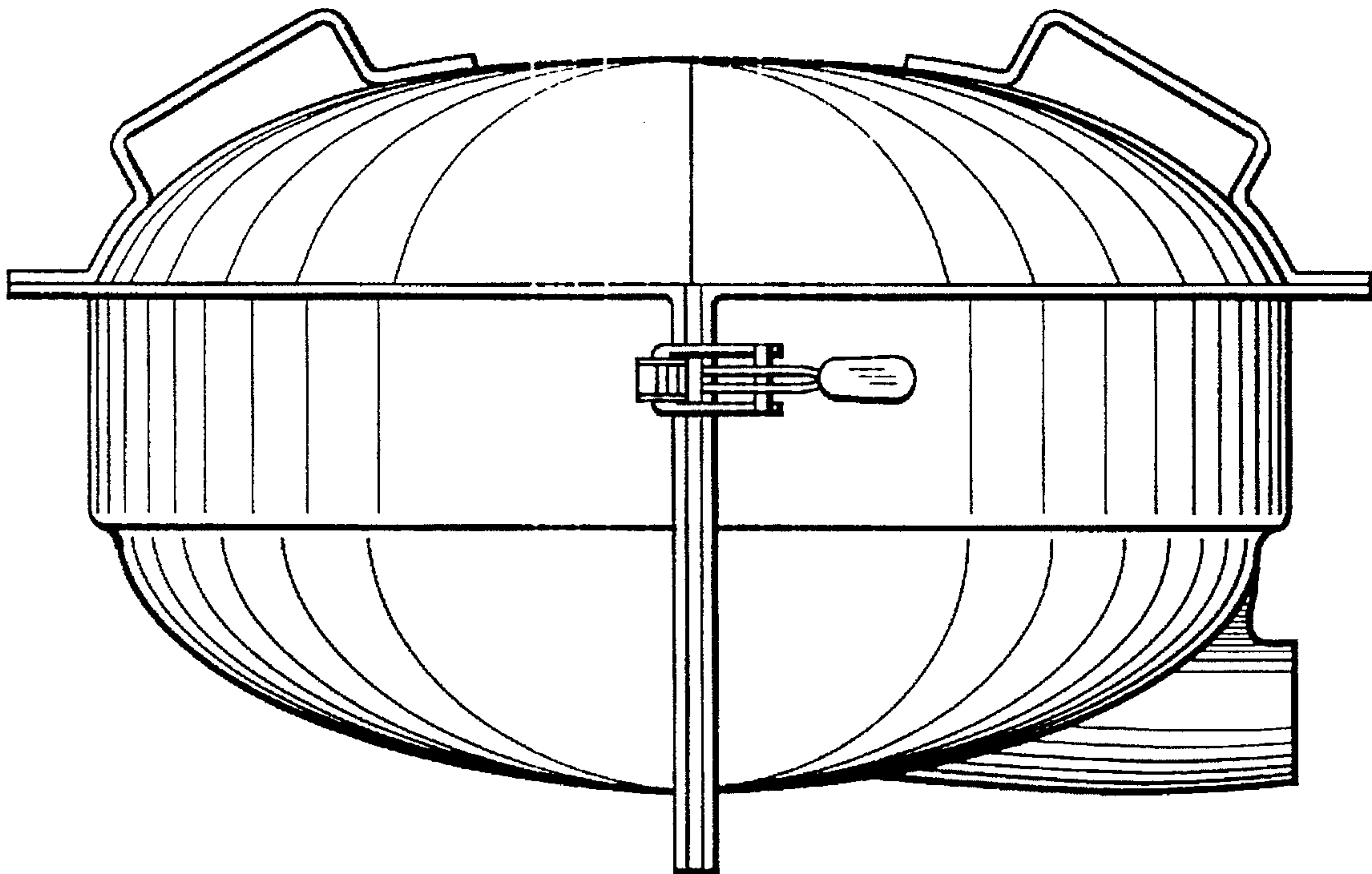
[57] **CLAIM**

The ornamental design for a container for an oil well stuffing box, as shown and described.

DESCRIPTION

FIG. 1 is a front elevation view of a container for an oil well stuffing box showing my new design; FIG. 2 is a right side elevation view thereof; FIG. 3 is a left side elevation view thereof; FIG. 4 is a rear elevation view thereof; FIG. 5 is a top plan view thereof; and, Fig. 6 is a bottom plan view thereof.

1 Claim, 6 Drawing Sheets



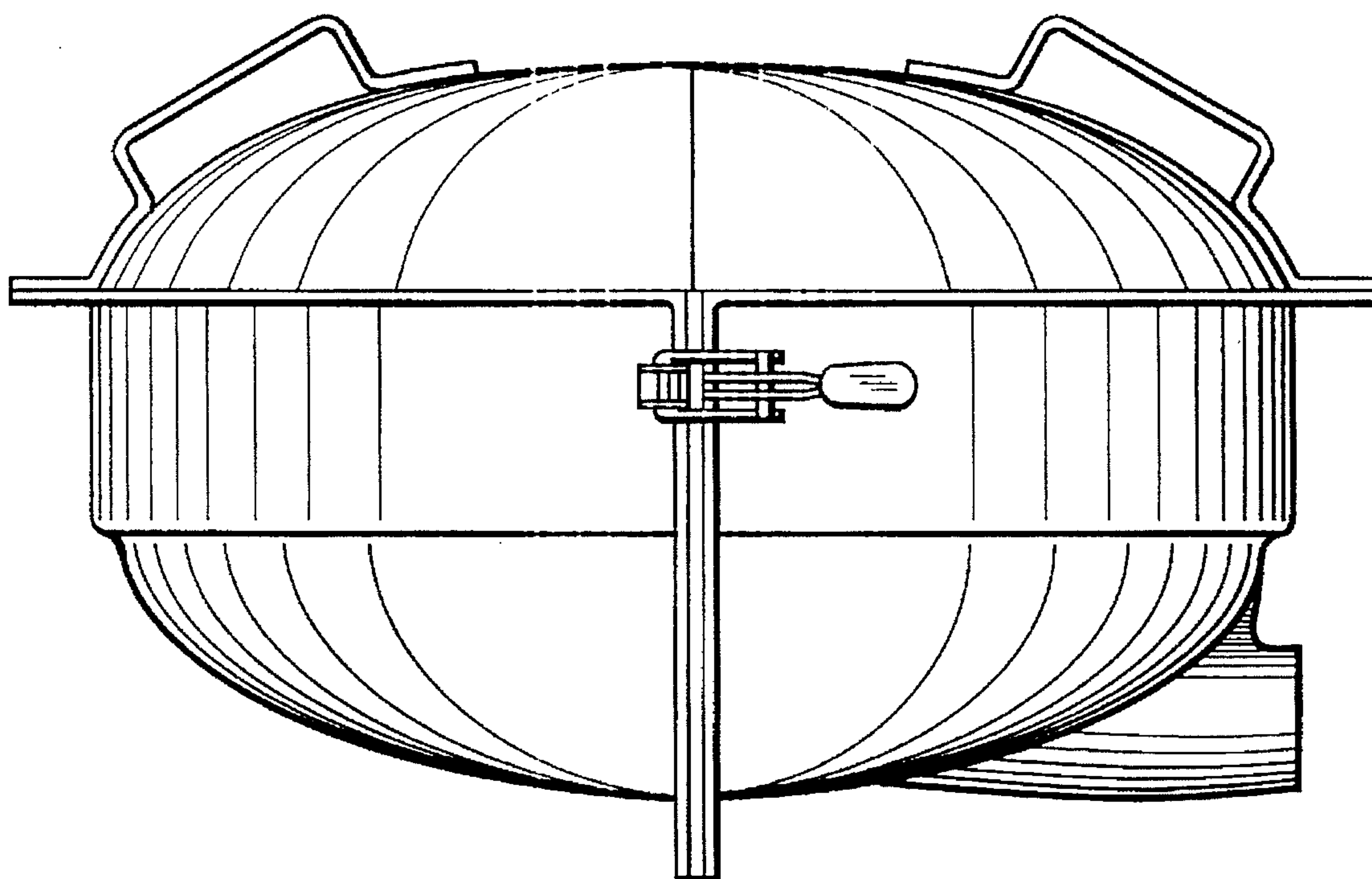


FIG. 1

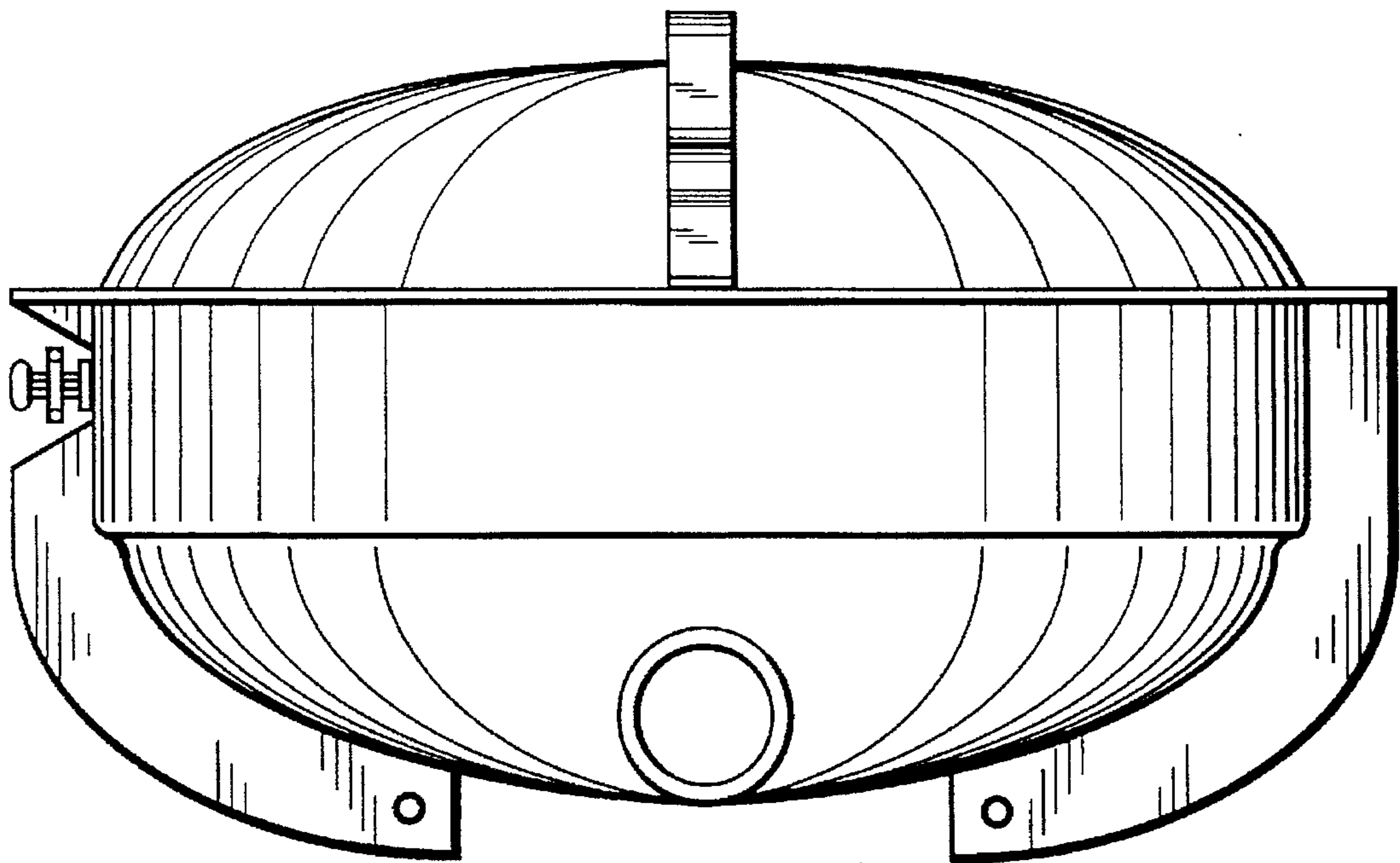


FIG. 2

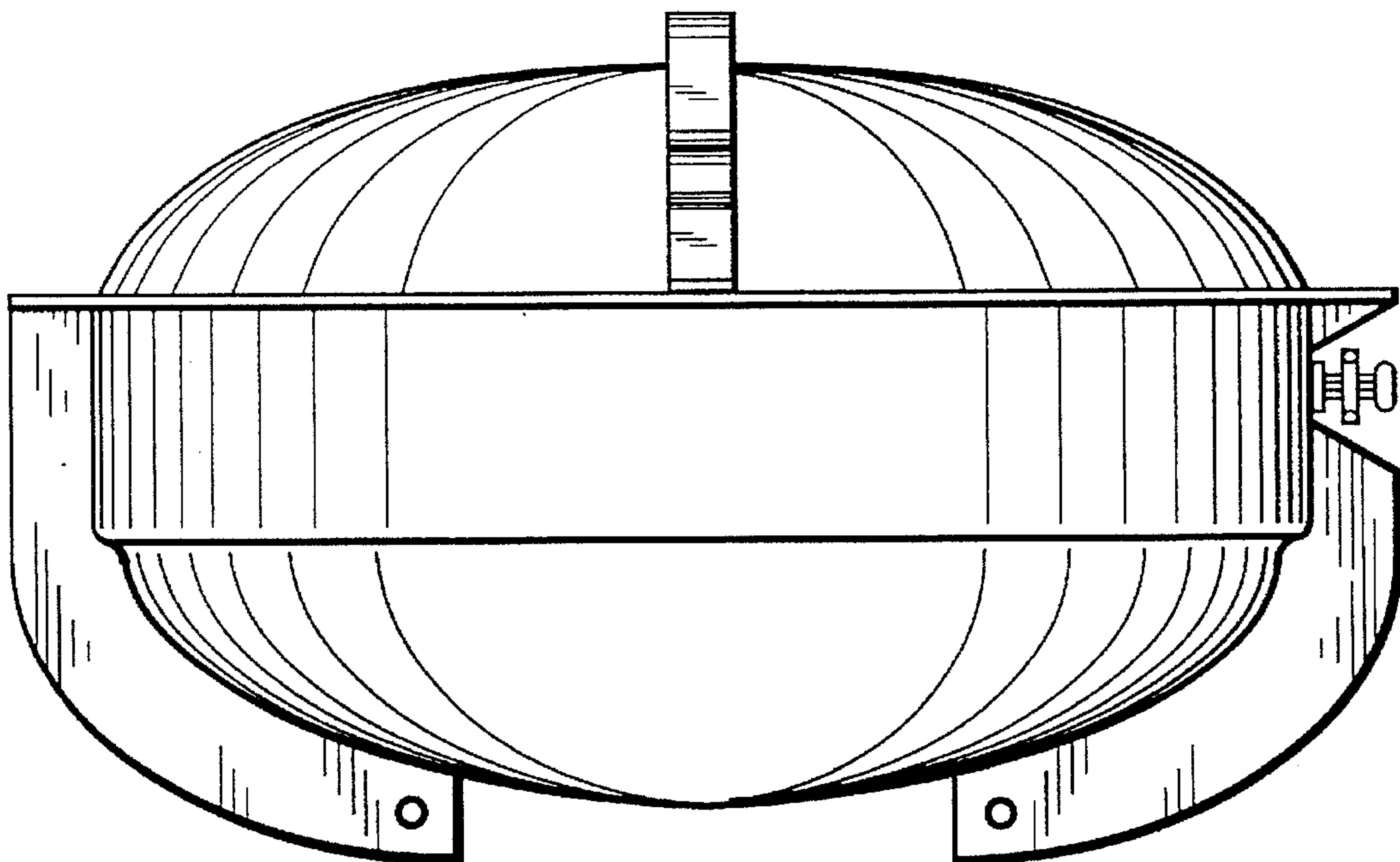


FIG. 3

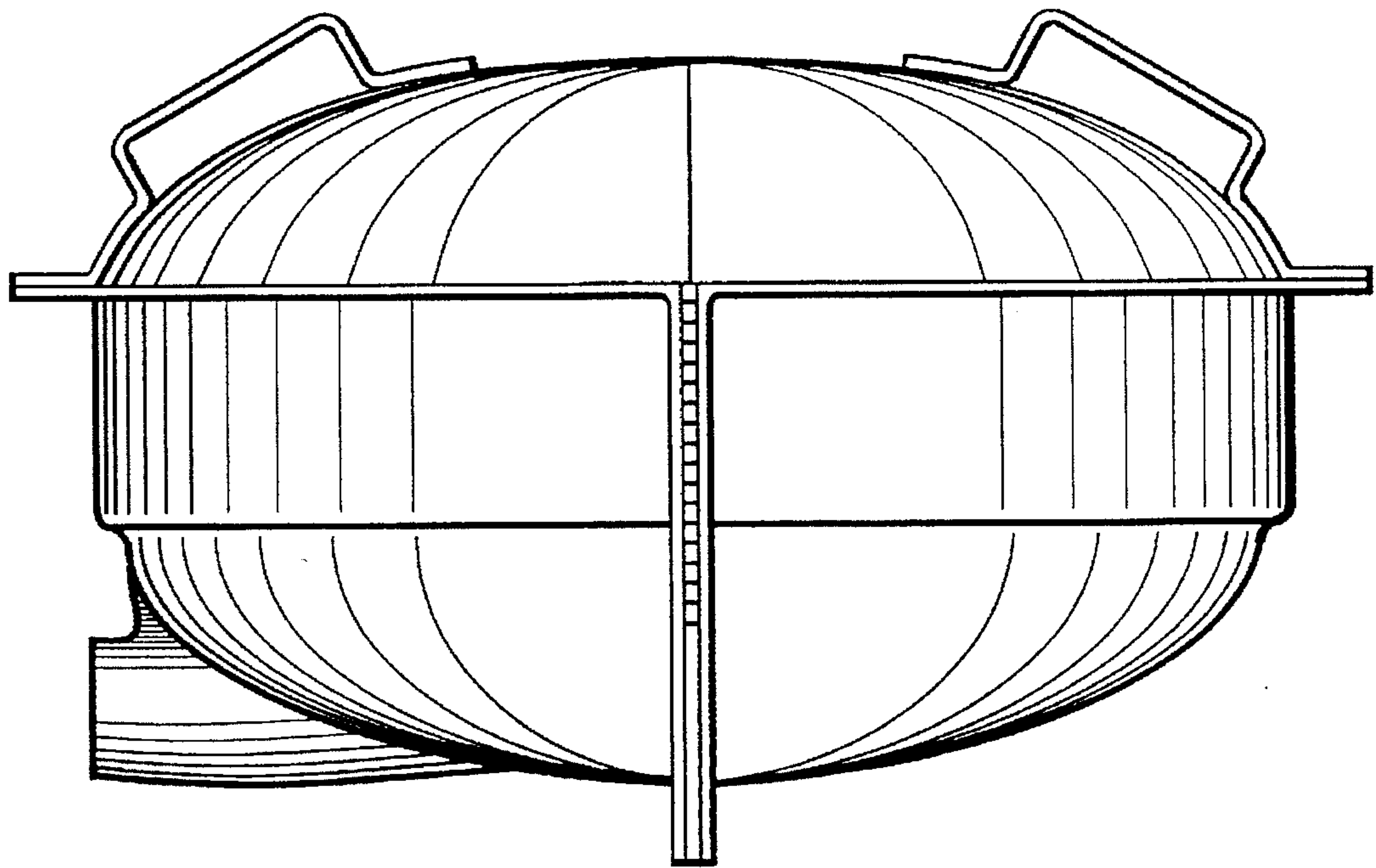


FIG. 4

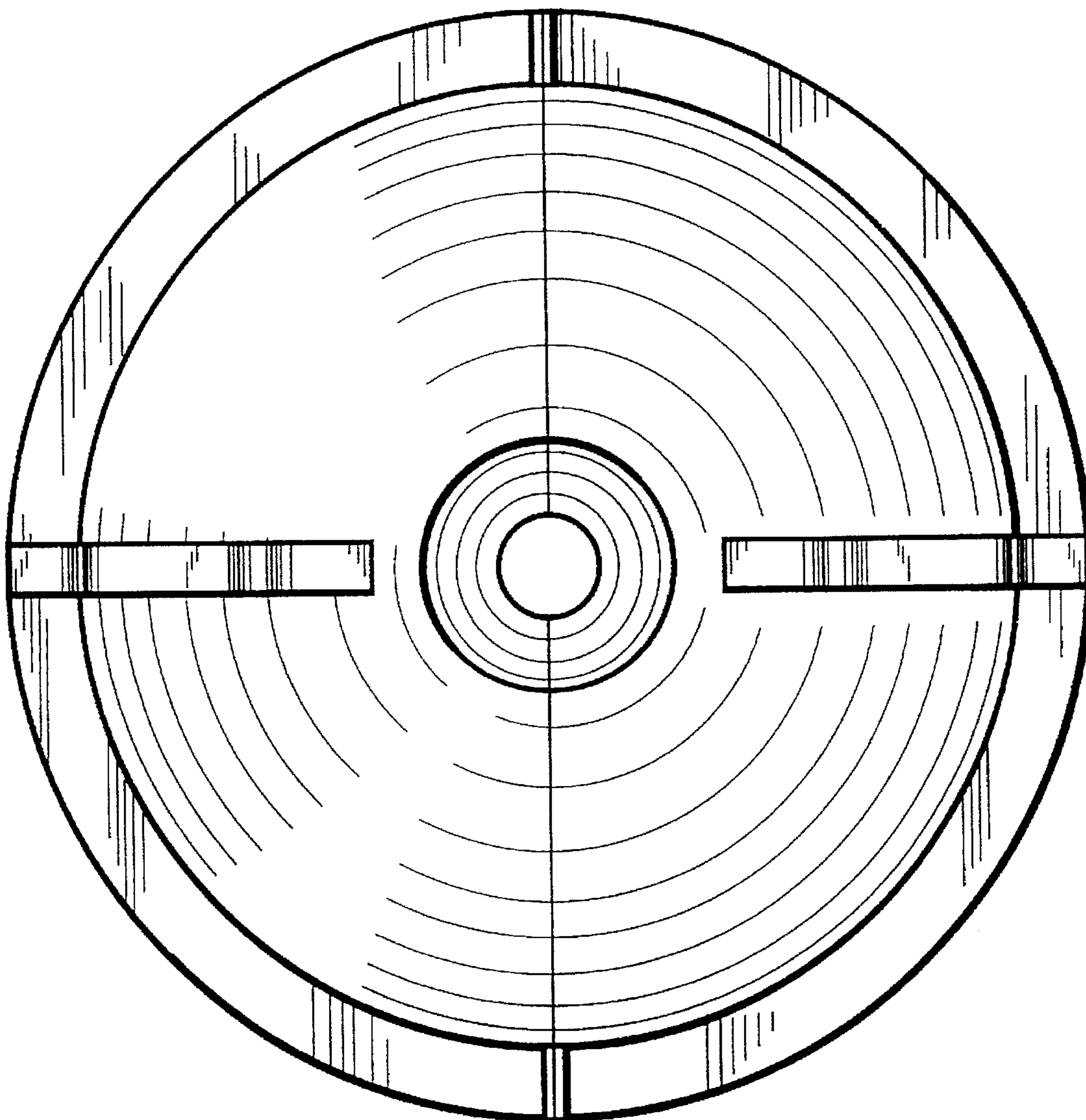


FIG. 5

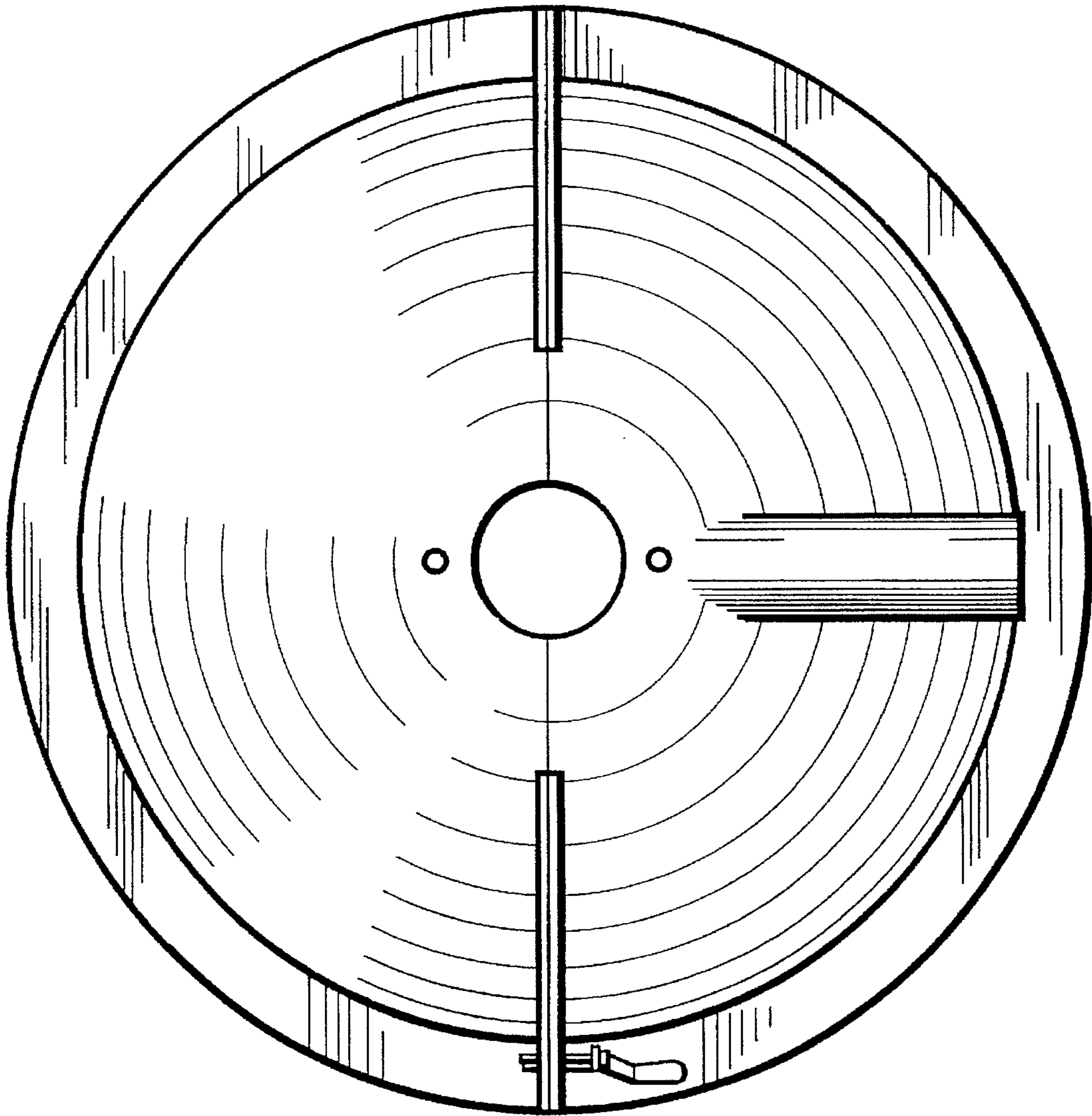


FIG. 6