



US00D379093S

# United States Patent [19]

Vollum et al.

[11] Patent Number: **Des. 379,093**

[45] Date of Patent: **\*\*May 6, 1997**

[54] **SPEAKER**

D. 368,910 4/1996 Lenart et al. .... D14/216

[75] Inventors: **Larry Vollum**, Portland, Oreg.; **Paul Wang**, Laguna Niguel, Calif.

### OTHER PUBLICATIONS

J and R Music World Christmas, p. 43, Sony SRS-57 Portable Speaker System 1990.

[73] Assignee: **MAG InnoVision Co., Inc.**, Santa Ana, Calif.

*Primary Examiner*—Sandra L. Morris  
*Assistant Examiner*—Nanda Bondade  
*Attorney, Agent, or Firm*—Limbach & Limbach L.L.P.; Ronald L. Yin

[\*\*] Term: **14 Years**

[21] Appl. No.: **53,506**

### [57] CLAIM

[22] Filed: **May 8, 1996**

The ornamental design for a speaker, as shown and described.

[51] LOC (6) Cl. .... **14-01**

[52] U.S. Cl. .... **D14/216**

### DESCRIPTION

[58] Field of Search ..... D14/204, 207, D14/209-216; 181/144-145, 148, 153, 157, 198, 199; 381/24, 88, 90-91, 153, 159, 186, 188

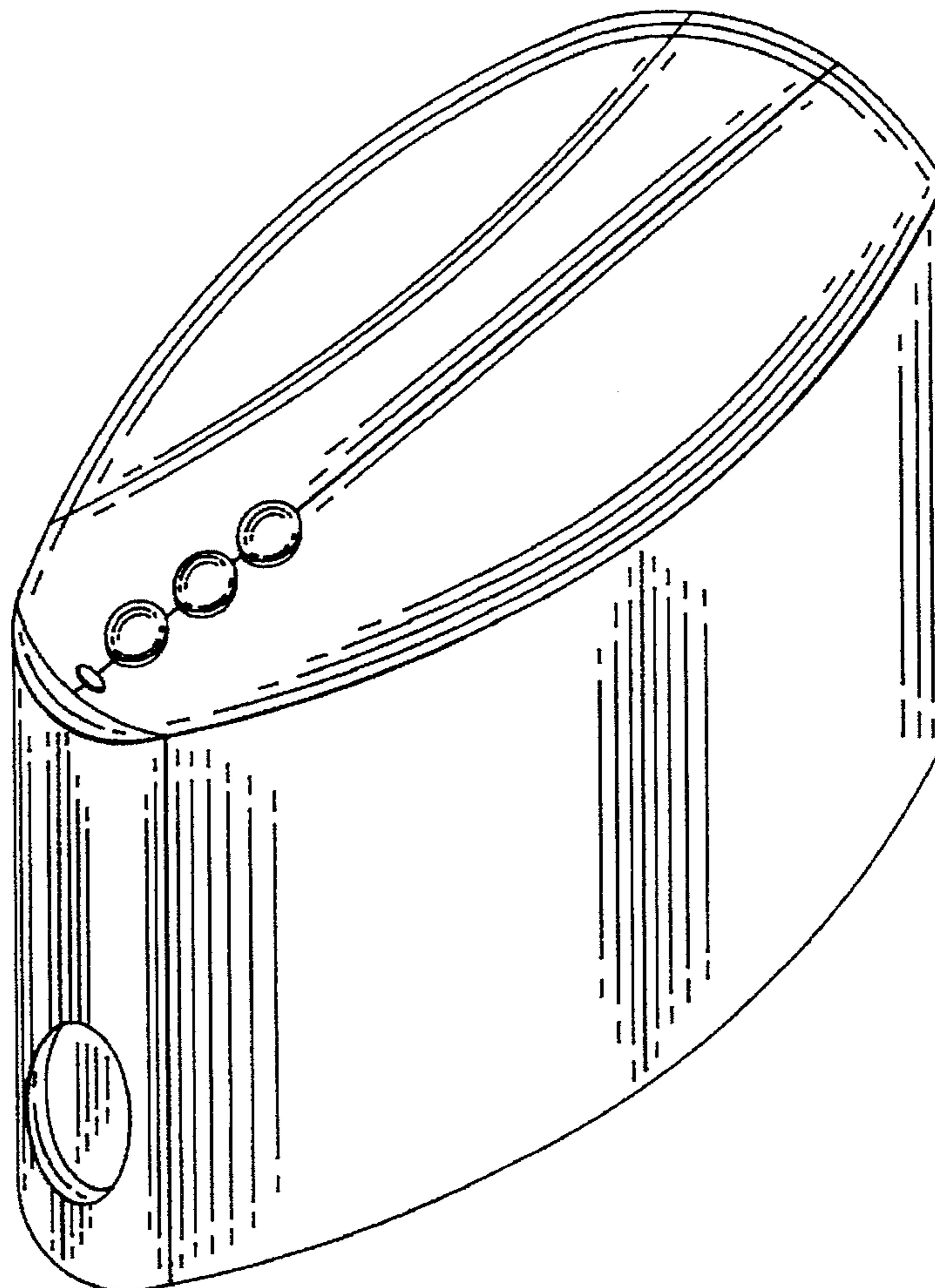
FIG. 1 is a top plan view of a speaker showing our new design;  
FIG. 2 is a front view thereof;  
FIG. 3 is a left side view thereof;  
FIG. 4 is a right side view thereof;  
FIG. 5 is a bottom plan view thereof;  
FIG. 6 is the rear view thereof; and,  
FIG. 7 is a frontal perspective view thereof.

### [56] References Cited

#### U.S. PATENT DOCUMENTS

- D. 356,088 3/1995 Jewitt et al. .... D14/210
- D. 356,569 3/1995 Gioscia ..... D14/210
- D. 363,719 10/1995 Cindrich et al. .... D14/216

**1 Claim, 4 Drawing Sheets**



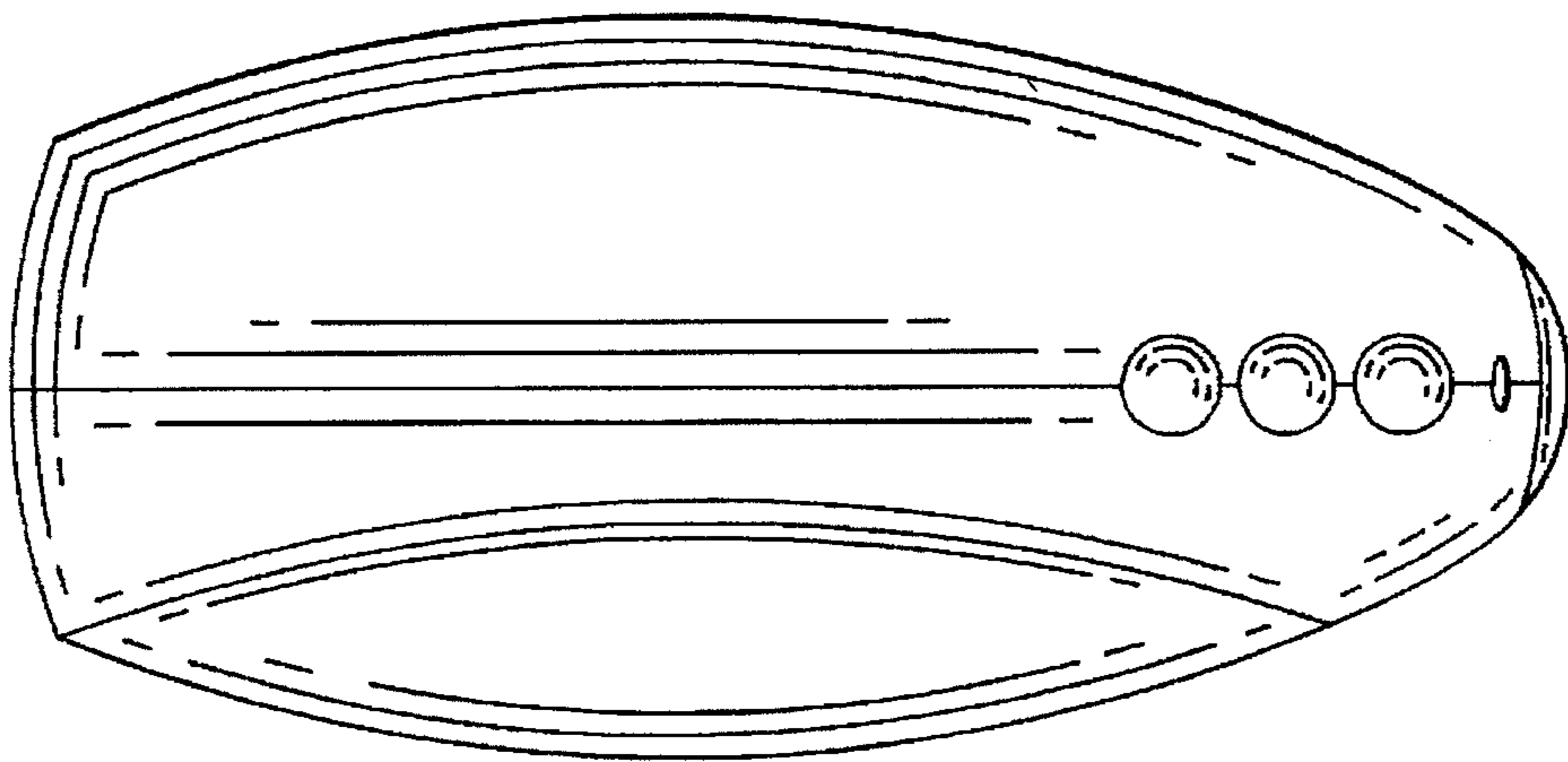


FIG. 1

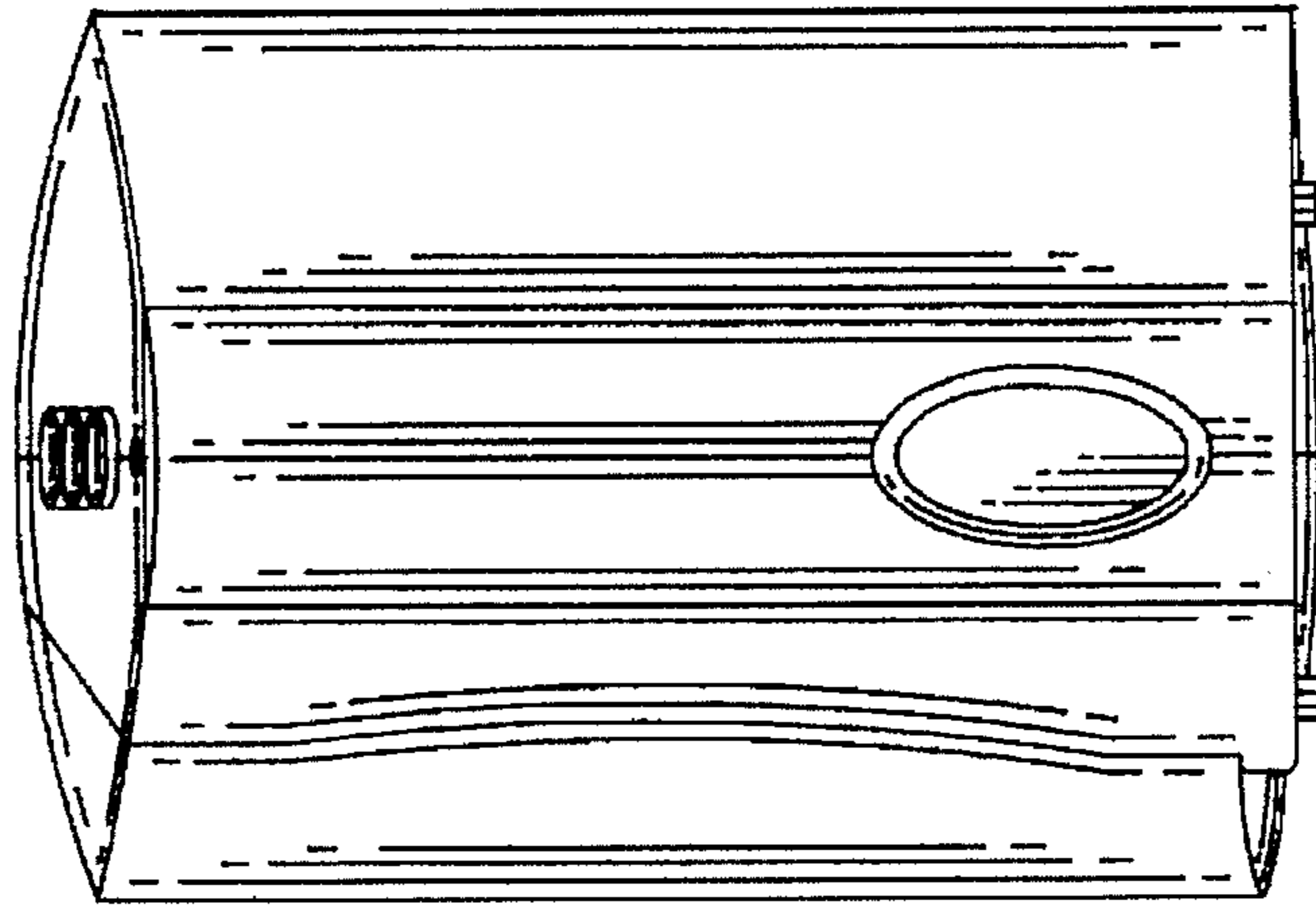


FIG. 2

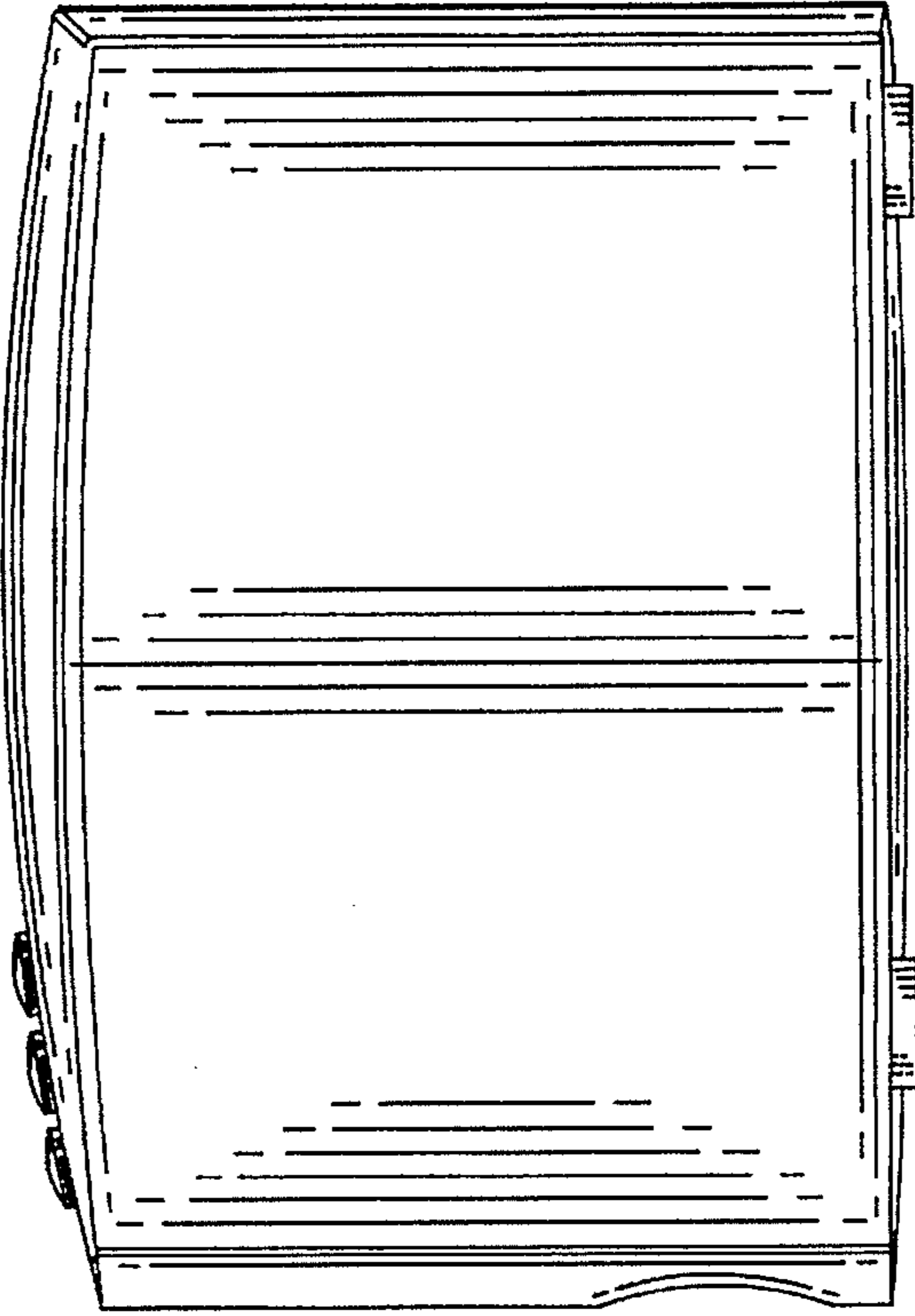


FIG. 4

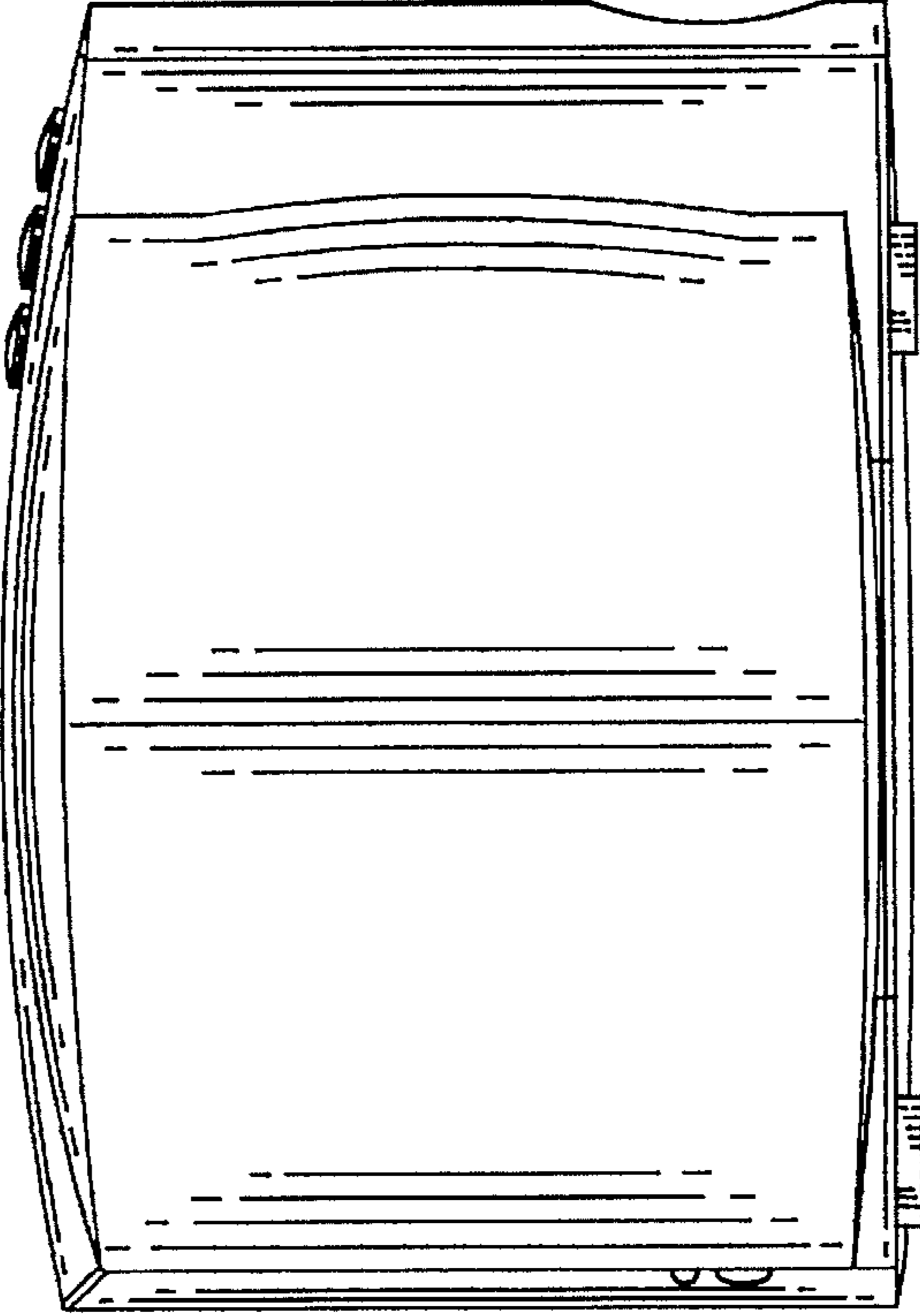


FIG. 3

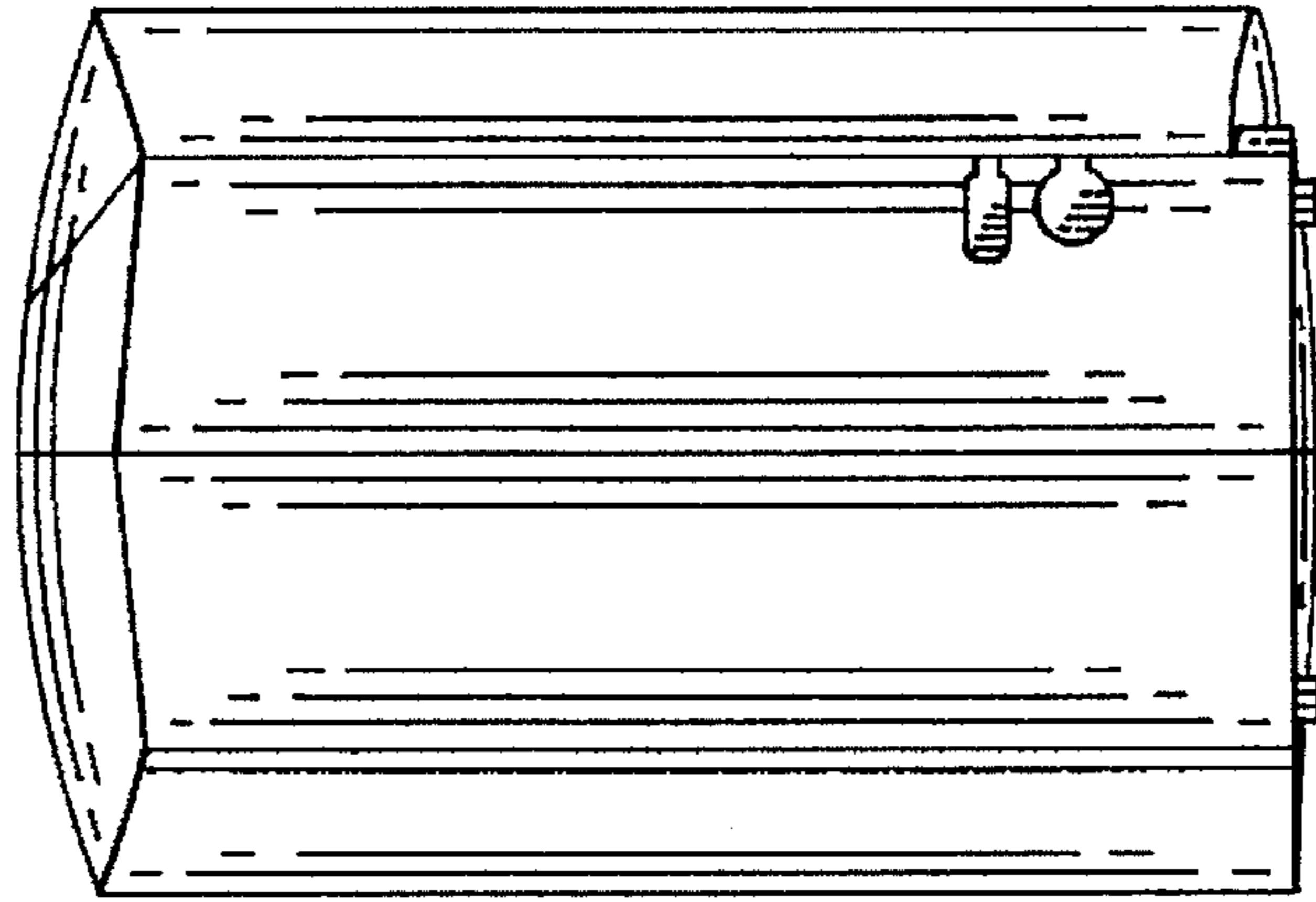


FIG. 6

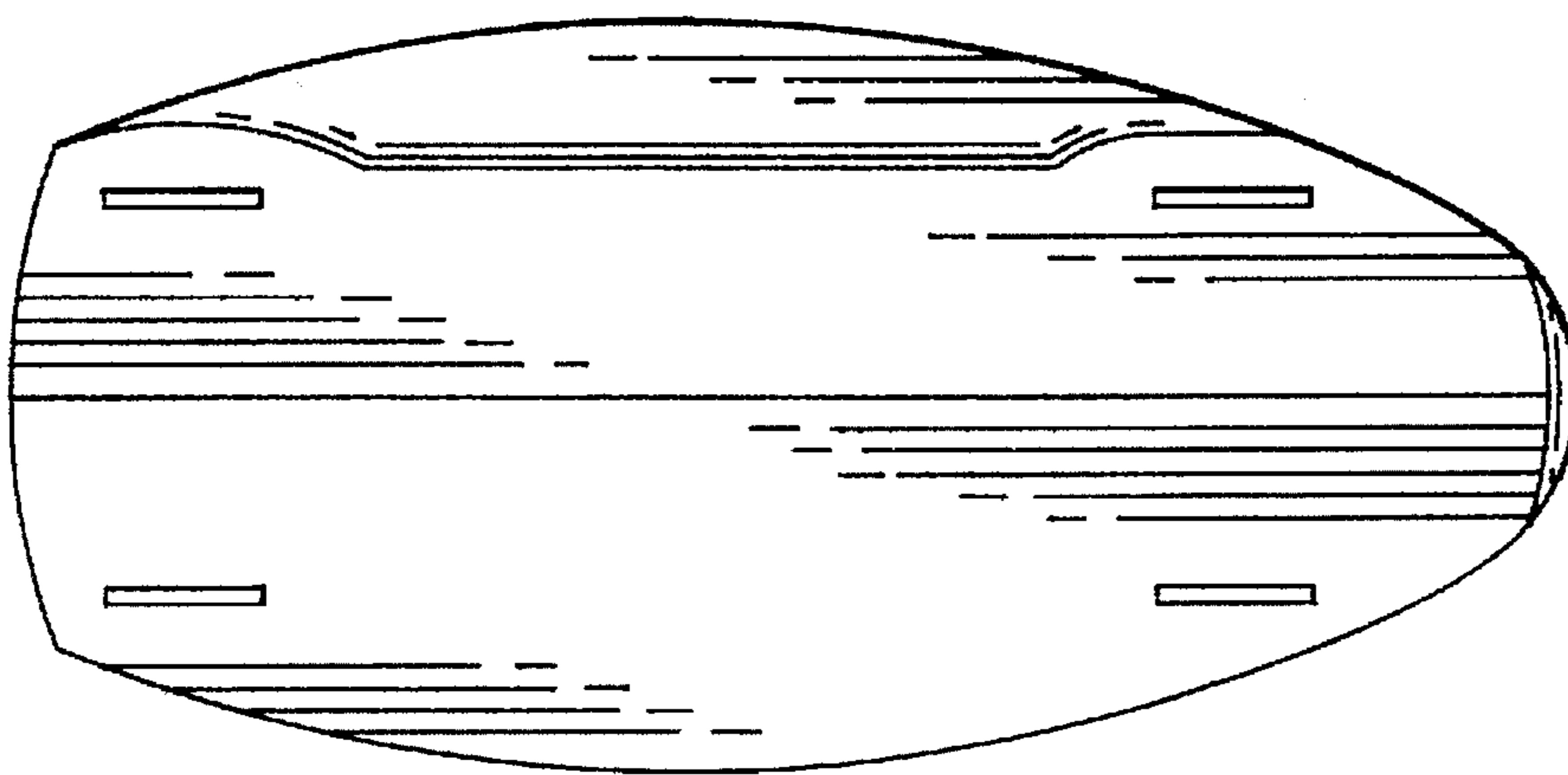


FIG. 5

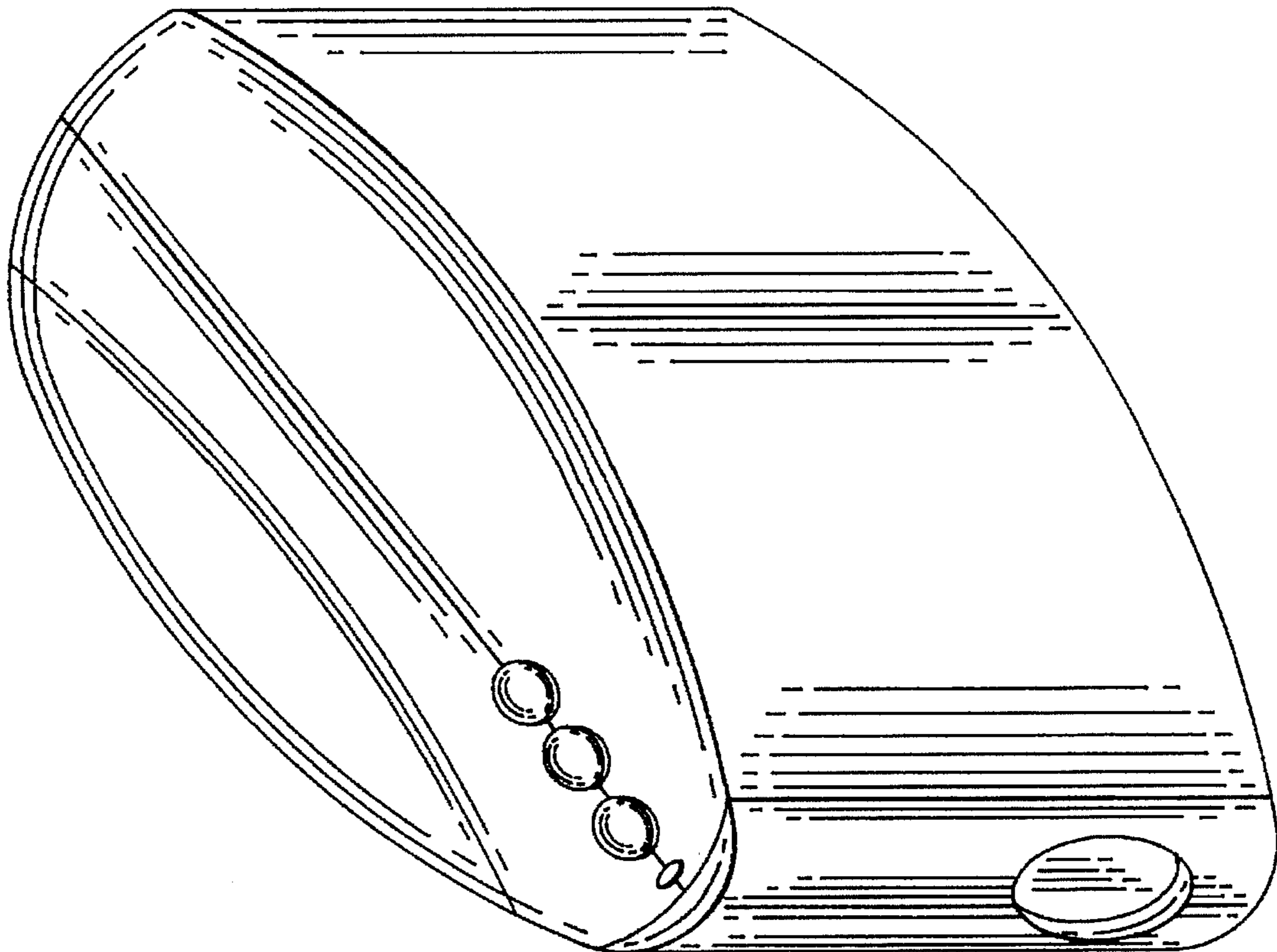


FIG. 7