



US00D379090S

United States Patent [19]

Maekawa et al.

[11] Patent Number: **Des. 379,090**

[45] Date of Patent: ****May 6, 1997**

[54] VIDEO MONITOR

[75] Inventors: **Emiko Maekawa**, Kyoto; **Kuniyuki Kawamoto**, Osaka; **Atsushi Sawada**, Hyogo, all of Japan

[73] Assignee: **Matsushita Electric Industrial Co., Ltd.**, Osaka, Japan

[**] Term: **14 Years**

[21] Appl. No.: **52,363**

[22] Filed: **Mar. 28, 1996**

[51] LOC (6) Cl. **14-02**

[52] U.S. Cl. **D14/100; D14/100**

[58] Field of Search D14/100, 106, D14/113, 115; D18/1, 2, 7; 178/18, 19; 345/156, 168, 169, 172, 73; 364/708.1; 361/679-686

[56] References Cited

U.S. PATENT DOCUMENTS

- D. 362,662 9/1995 Baudot D14/100
- D. 364,389 11/1995 Shimizu D14/100

OTHER PUBLICATIONS

Megapower Catalog, published 1988, 2 pages.
Sharp Catalog, published prior to Apr. 6, 1995, 2 pages.
Apollo Cataog, published prior to Apr. 6, 1995, 2 pages.
nView Catalog, published 1993, 2 pages.

Primary Examiner—Freda Nunn
Attorney, Agent, or Firm—Sughrue, Mion, Zinn, Macpeak & Seas

[57] CLAIM

The ornamental design for a video monitor, as shown and described.

DESCRIPTION

FIG. 1 is a perspective view of the front, top and left side of a video monitor showing our new design;
FIG. 2 is a perspective view of the bottom, front and left side thereof;
FIG. 3 is a top plan view thereof;
FIG. 4 is a right side elevational view thereof;
FIG. 5 is a rear elevational view thereof;
FIG. 6 is a front elevational view thereof;
FIG. 7 is a bottom plan view thereof; and,
FIG. 8 is a left side elevational view thereof.

1 Claim, 5 Drawing Sheets

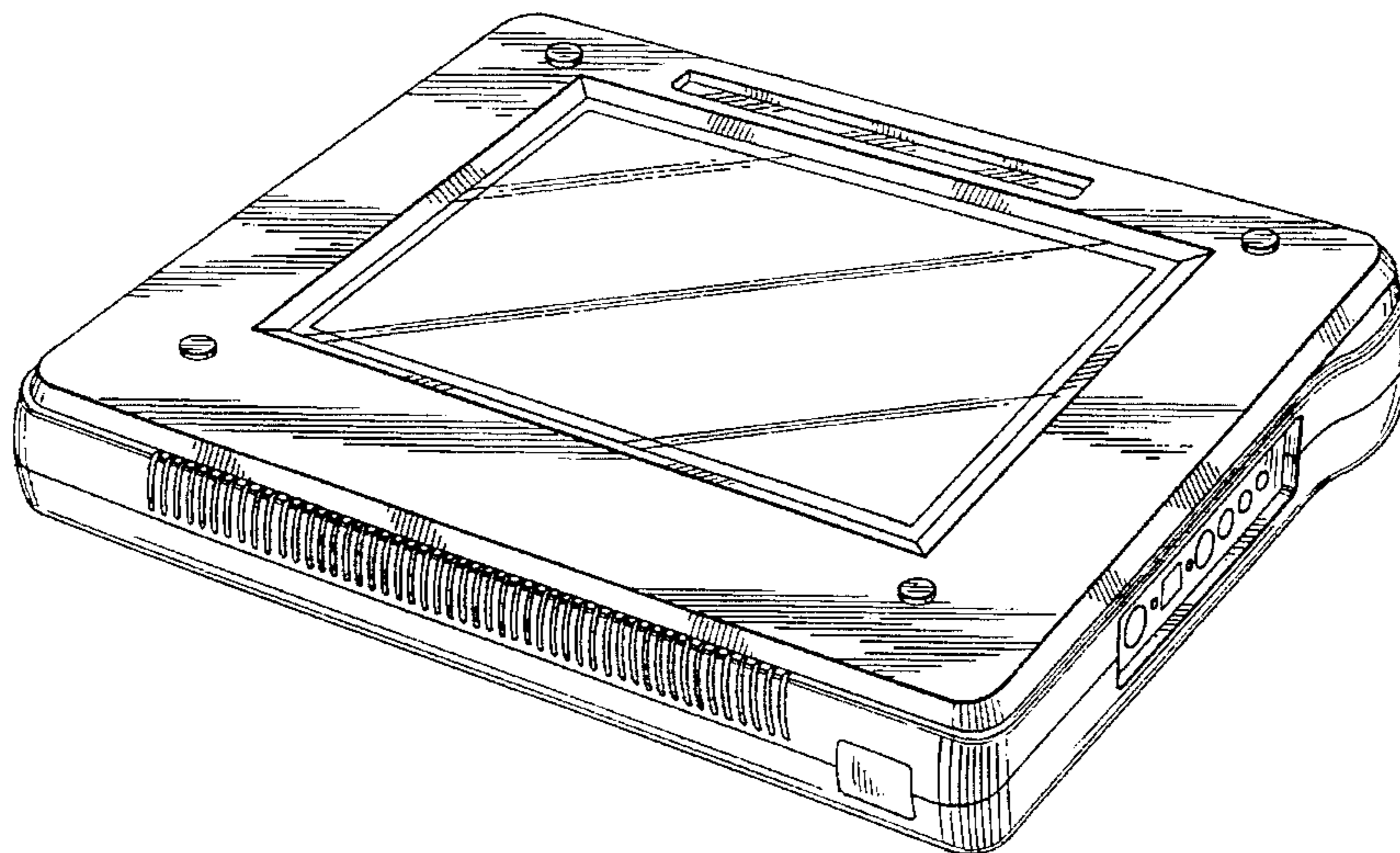
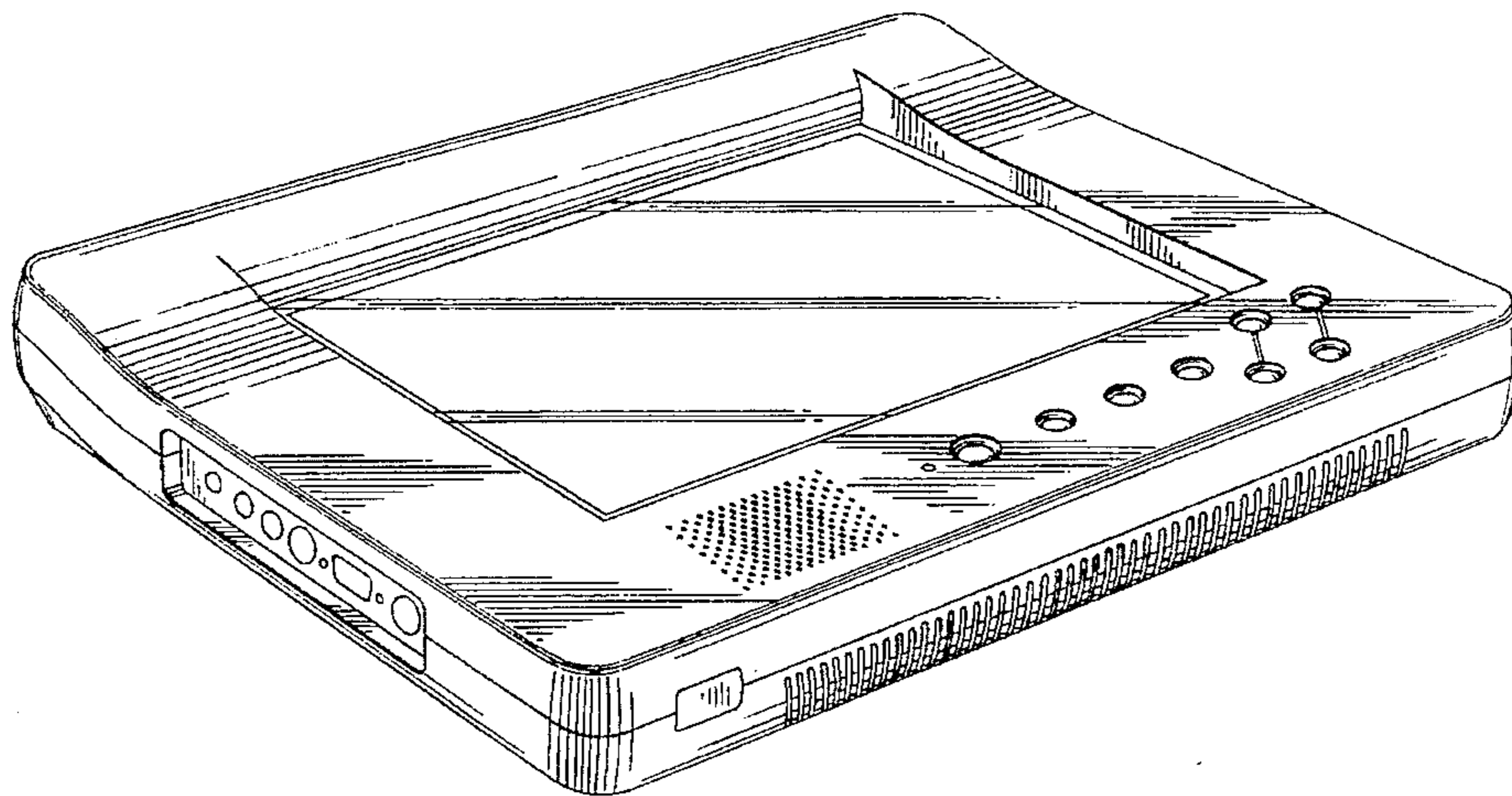


FIG. 1

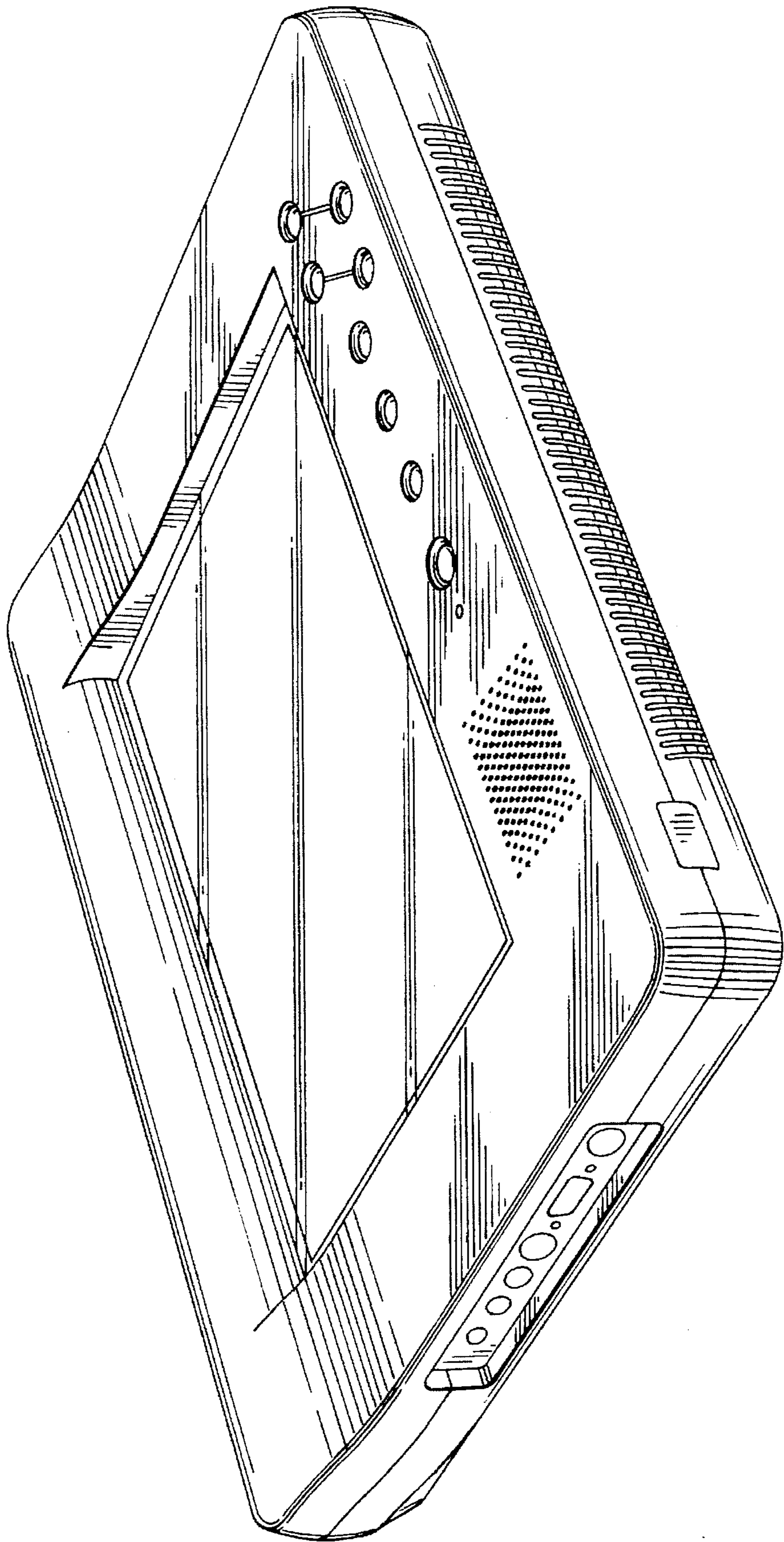


FIG. 2.

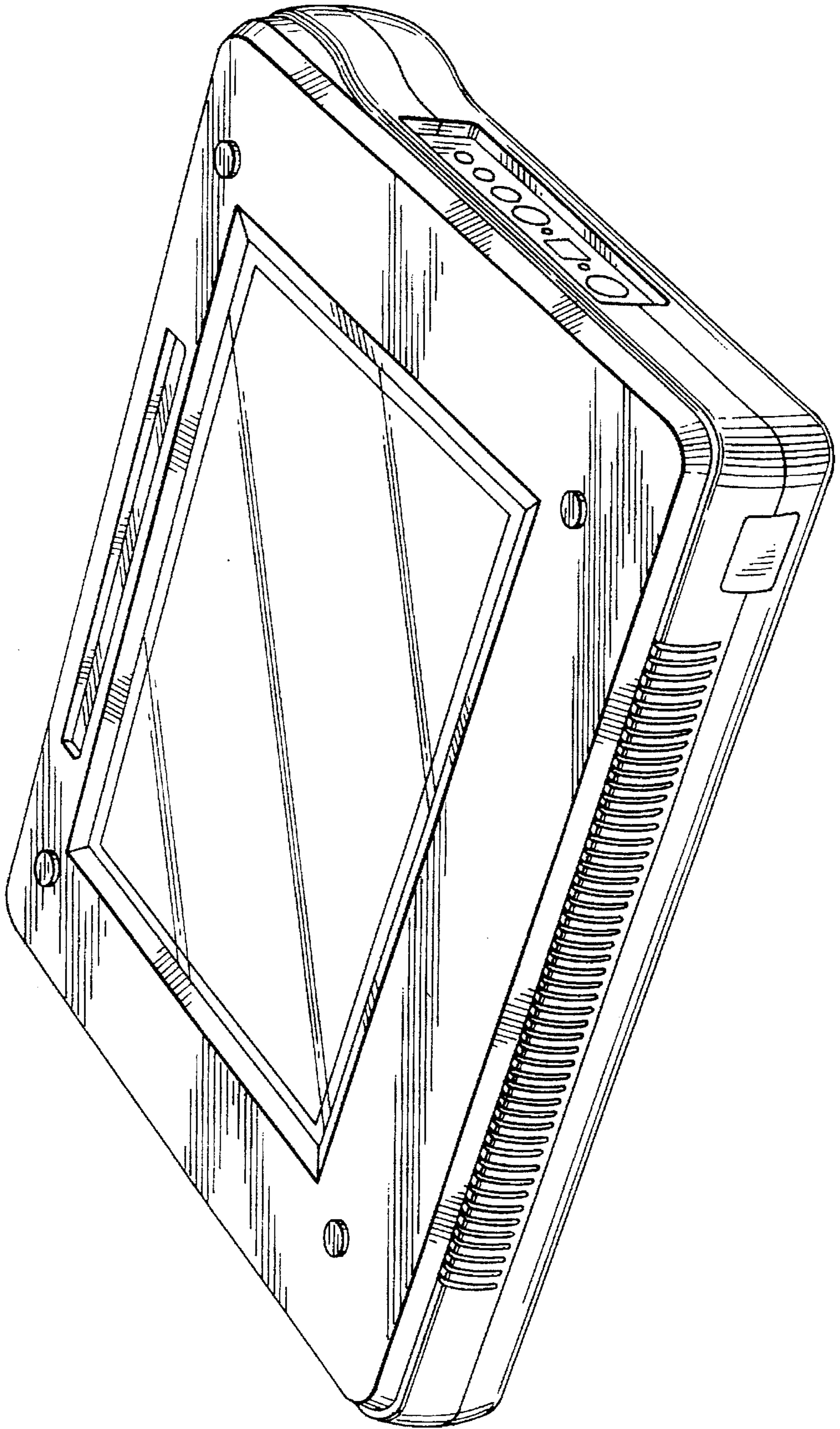


FIG. 4

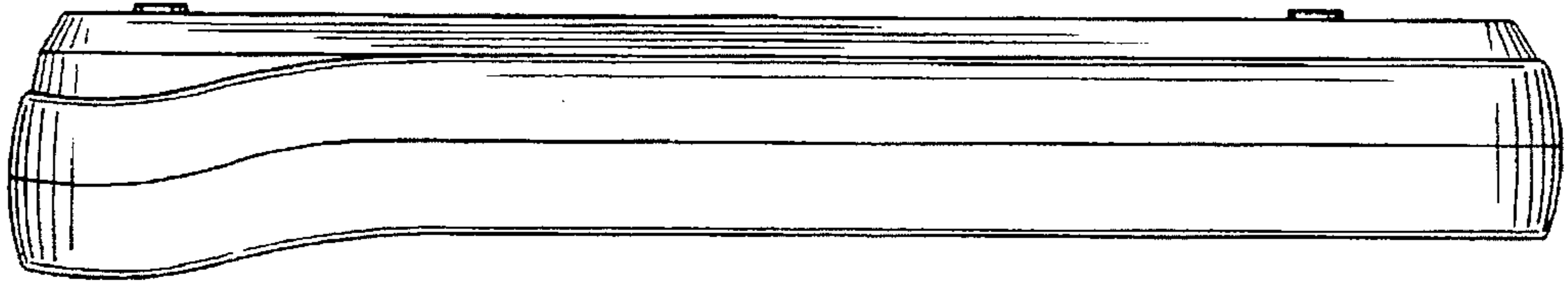


FIG. 3

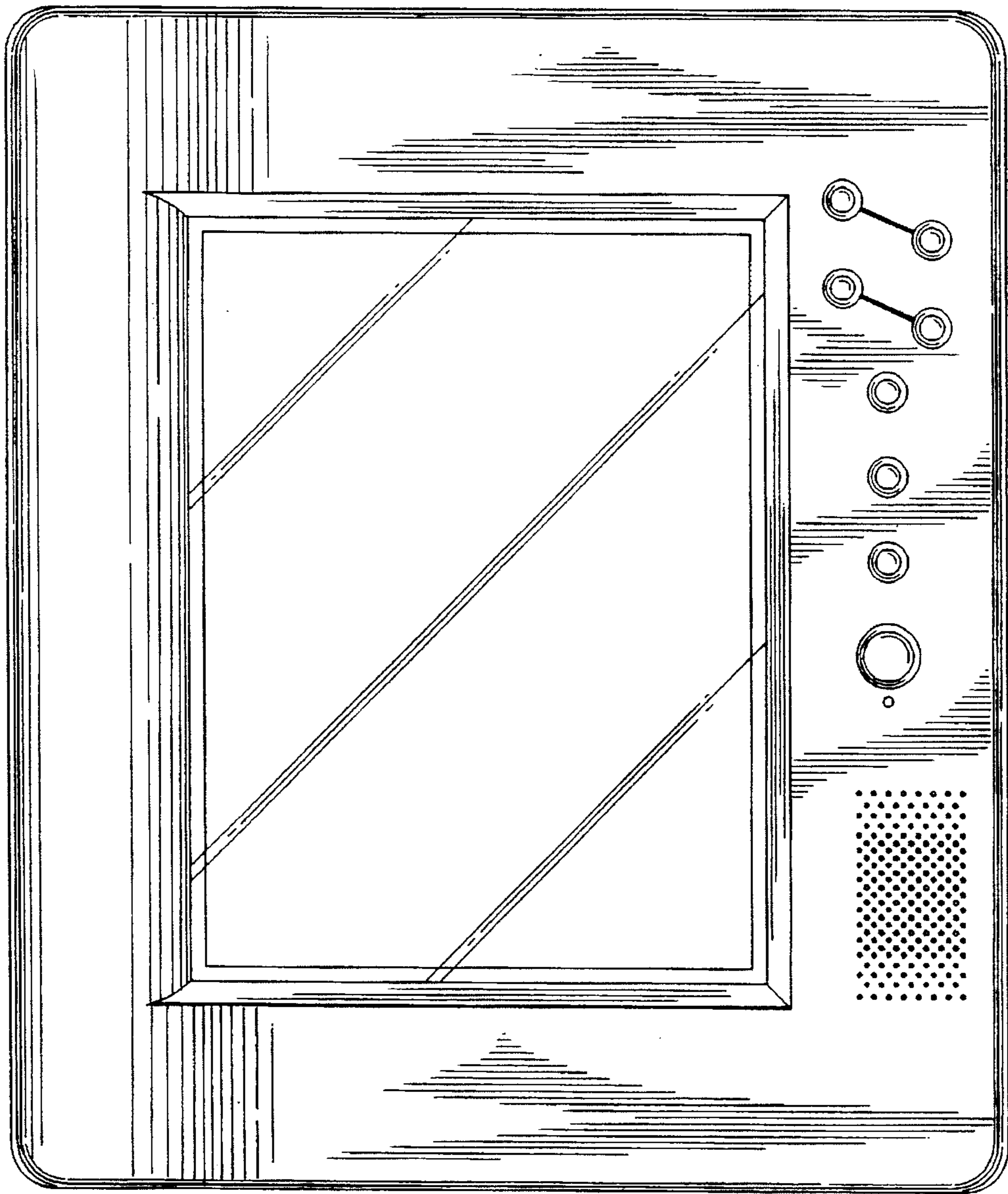


FIG. 5

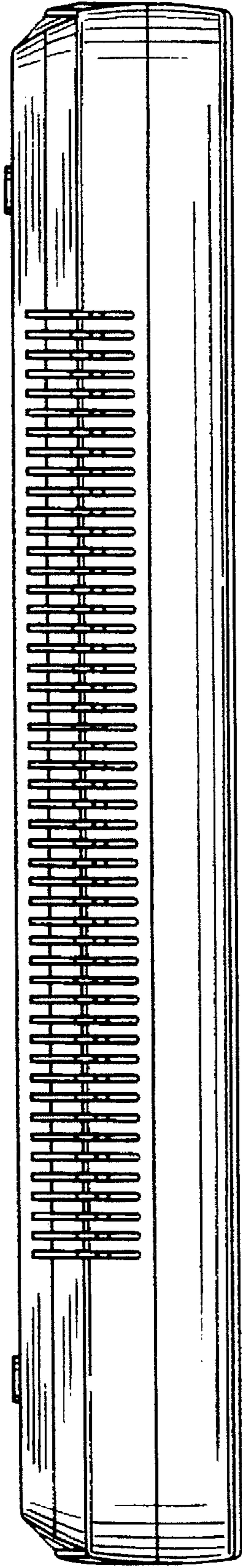


FIG. 6

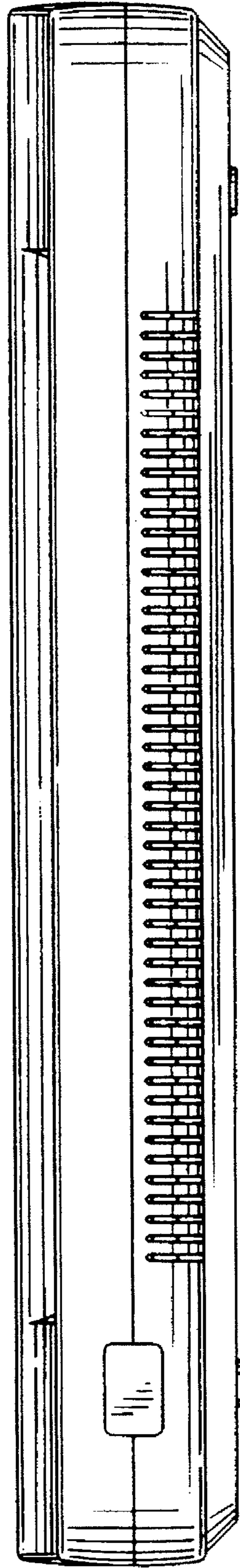


FIG. 8

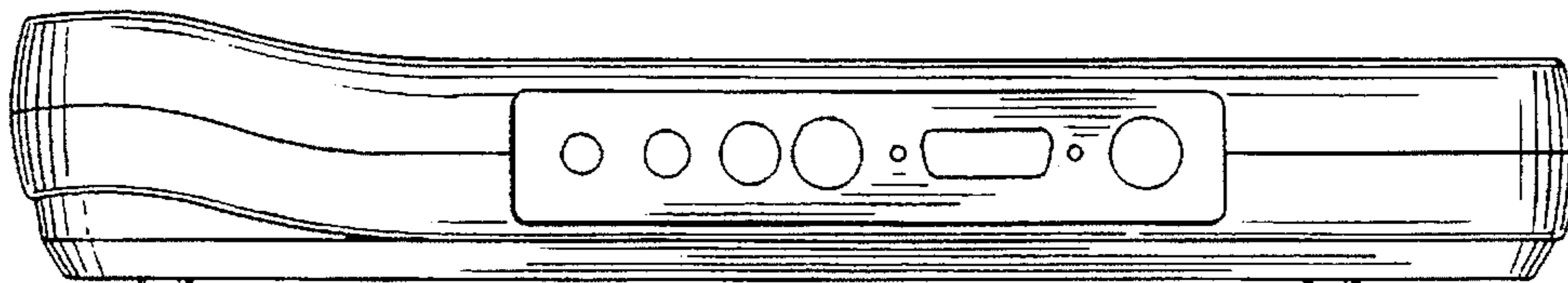


FIG. 7

