



US00D379089S

United States Patent [19]

Harris et al.

[11] Patent Number: **Des. 379,089**

[45] Date of Patent: ****May 6, 1997**

[54] **TRANSFORMER MAGNETIC CORE**

[75] Inventors: **Philip M. Harris**, San Diego; **Robert M. Martinelli**, Temecula, both of Calif.

[73] Assignee: **Powercube A Natel Engineering Co. Inc.**, Chatsworth, Calif.

[**] Term: **14 Years**

[21] Appl. No.: **49,070**

[22] Filed: **Jan. 16, 1996**

[51] LOC (6) Cl. **13-99**

[52] U.S. Cl. **D13/183**

[58] Field of Search D13/183; 210/222, 210/273; 336/65, 67, 83, 90-98, 142, 233

[56] **References Cited**

U.S. PATENT DOCUMENTS

D. 138,827 9/1944 Burke et al. D13/183

Primary Examiner—Antoine Duval Davis

[57] **CLAIM**

The ornamental design for a transformer magnetic core, as shown and described.

DESCRIPTION

FIG. 1 is a perspective view of the transformer magnetic core showing our new design;

FIG. 2 is a top plan view thereof;

FIG. 3 is a plan view of the bottom thereof;

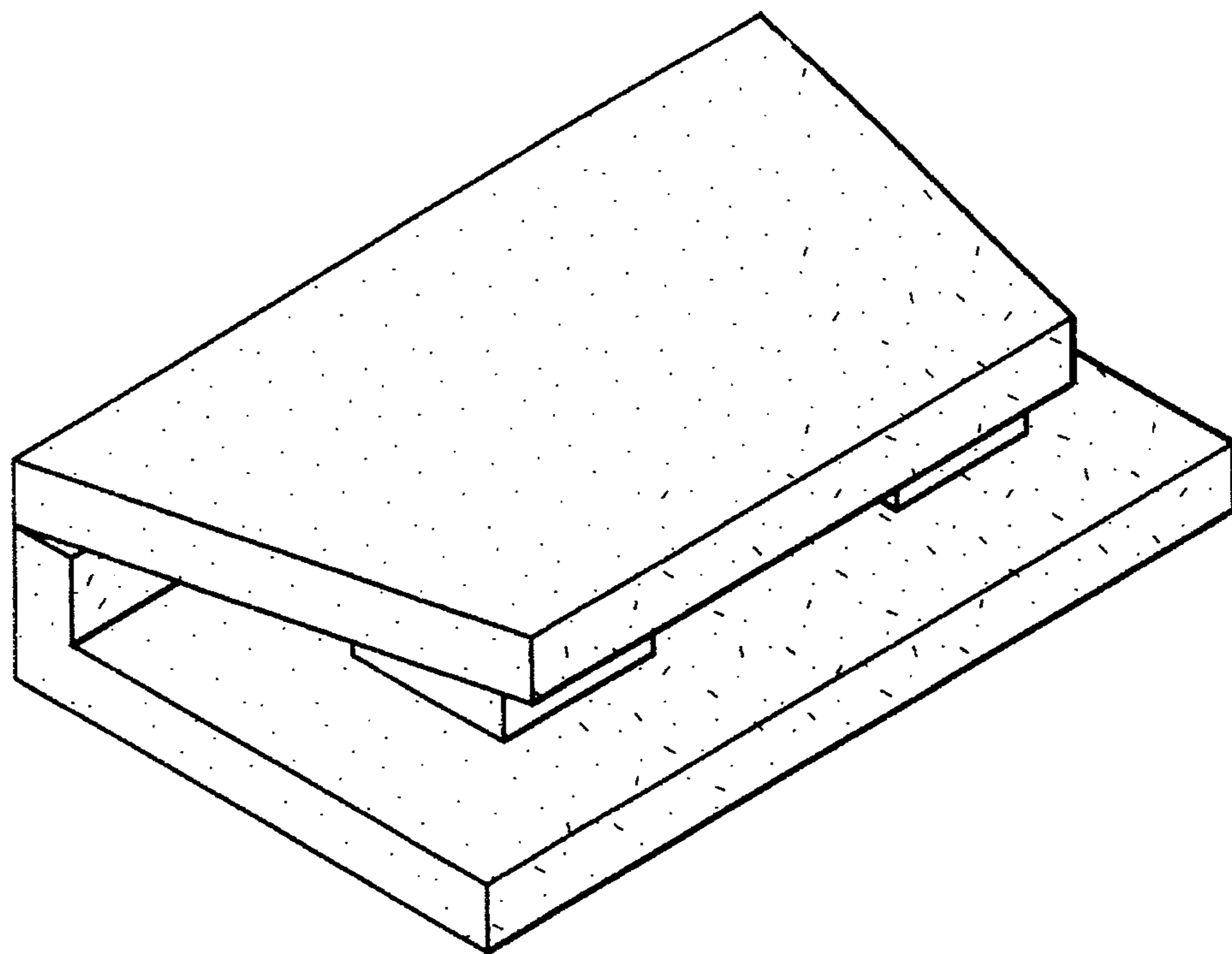
FIG. 4 is a front elevation view thereof;

FIG. 5 is a rear elevation thereof;

FIG. 6 is a side elevation view thereof; and,

FIG. 7 is a side elevation view thereof opposite to the side elevation shown in FIG. 6.

1 Claim, 1 Drawing Sheet



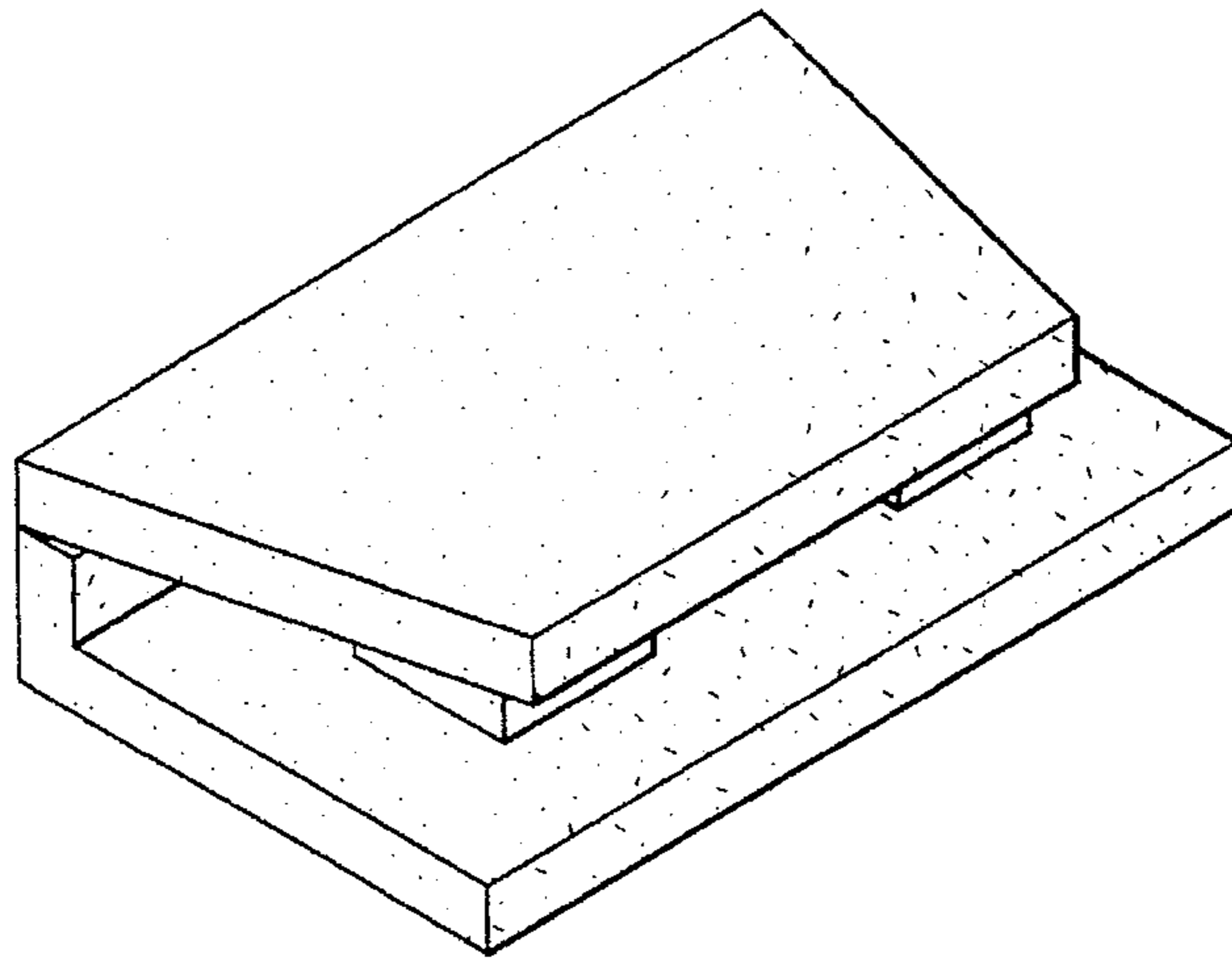


FIGURE 1

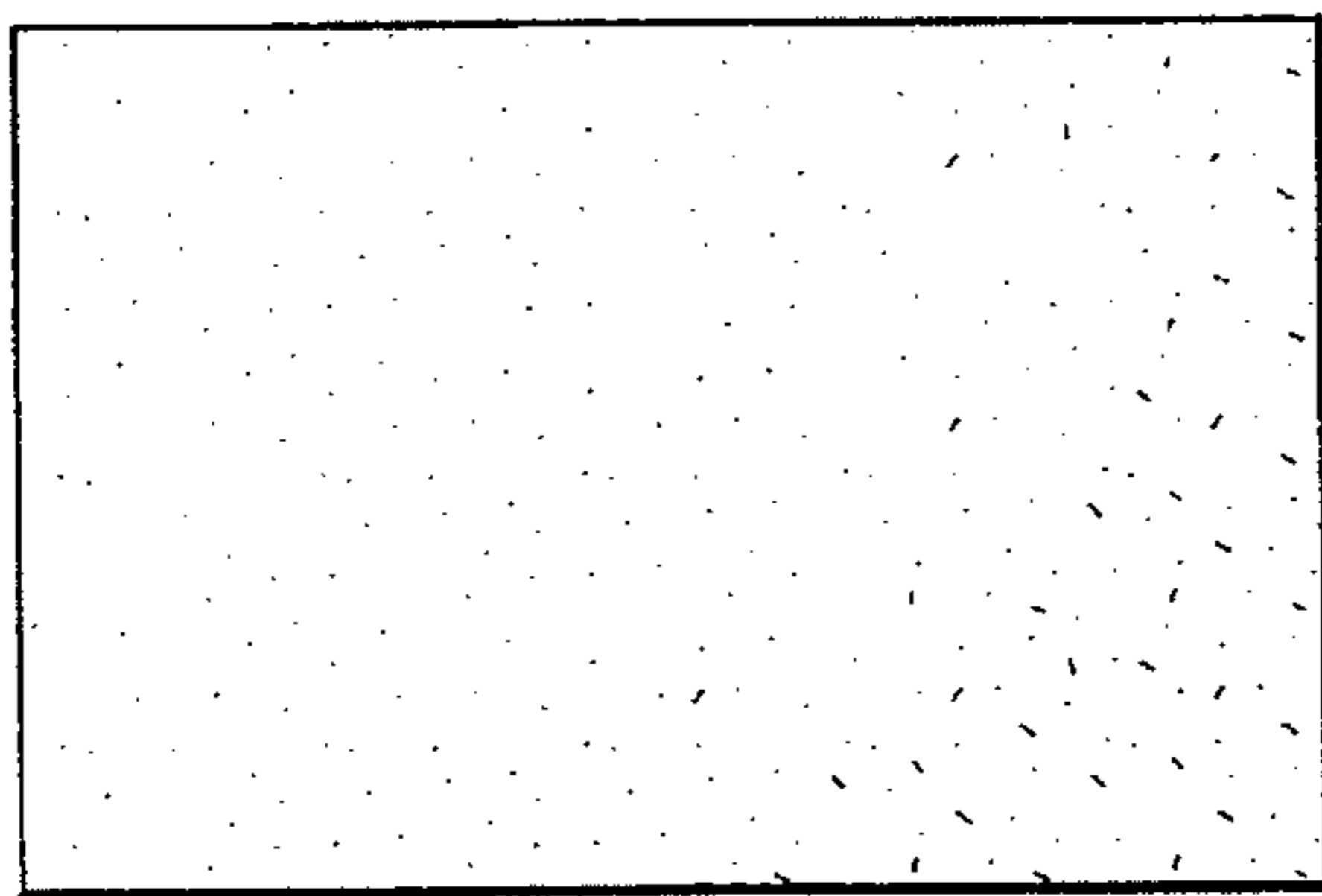


FIGURE 3

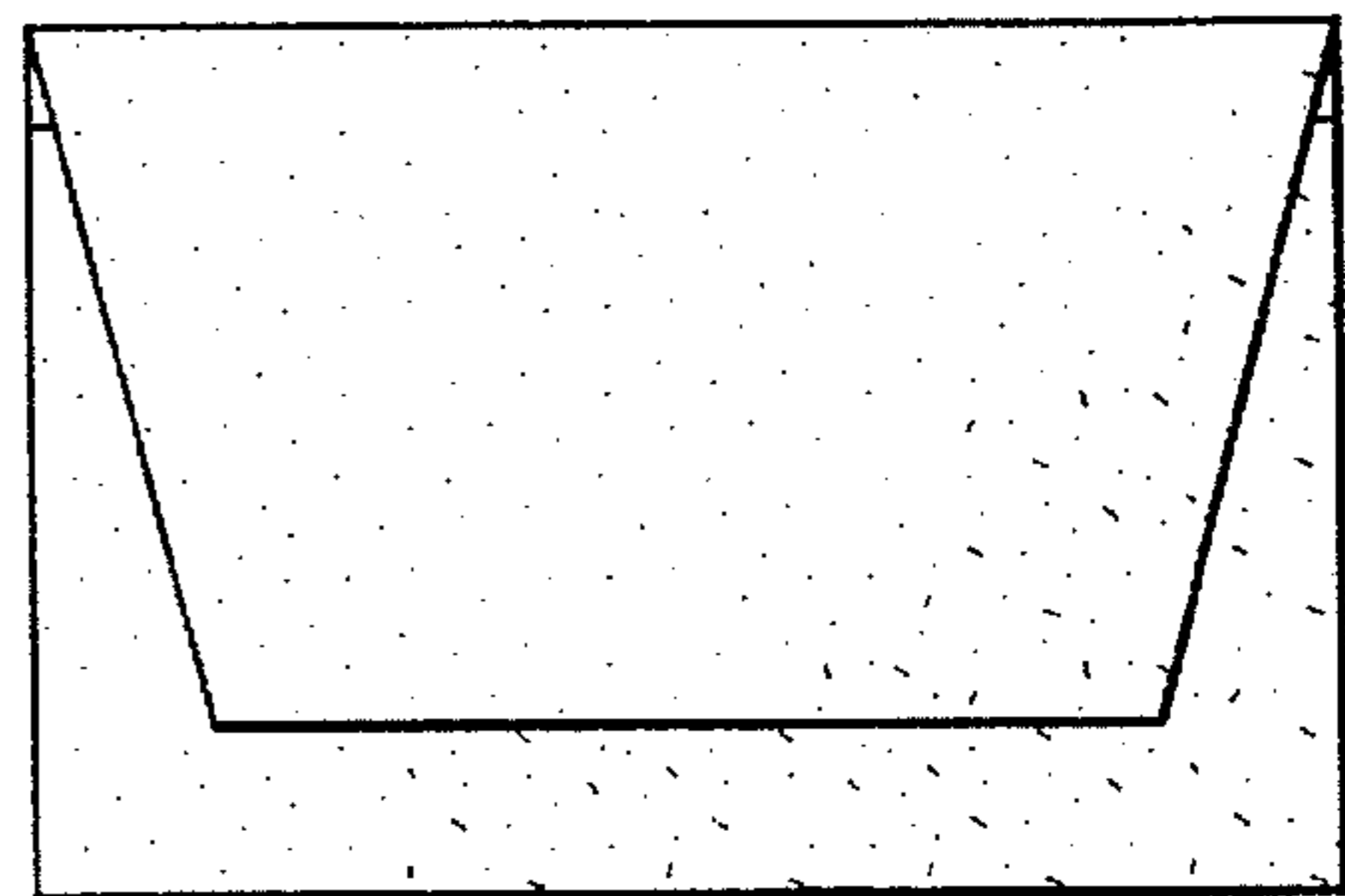


FIGURE 2

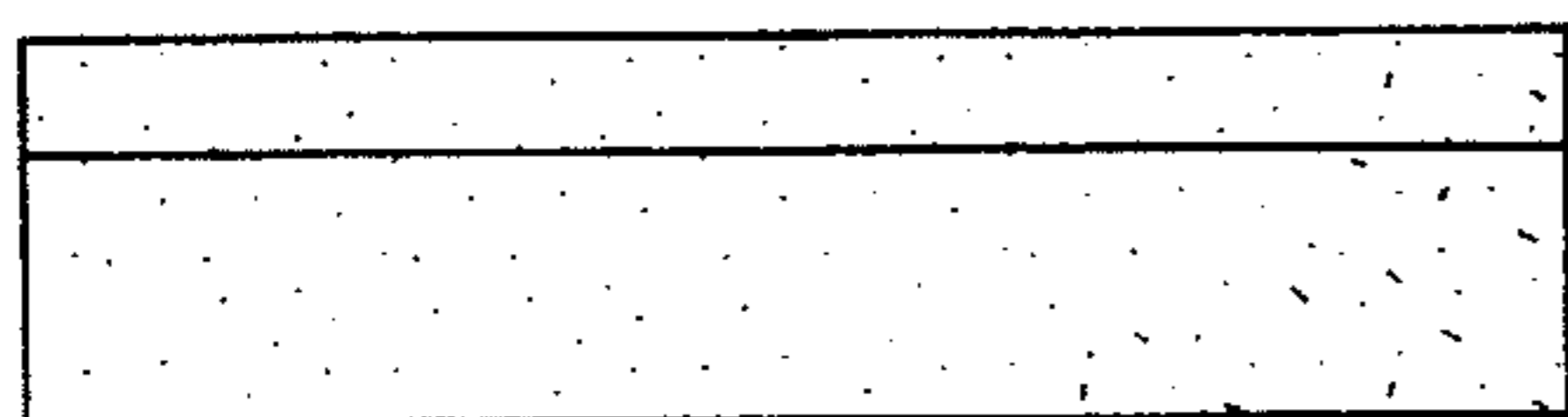


FIGURE 5

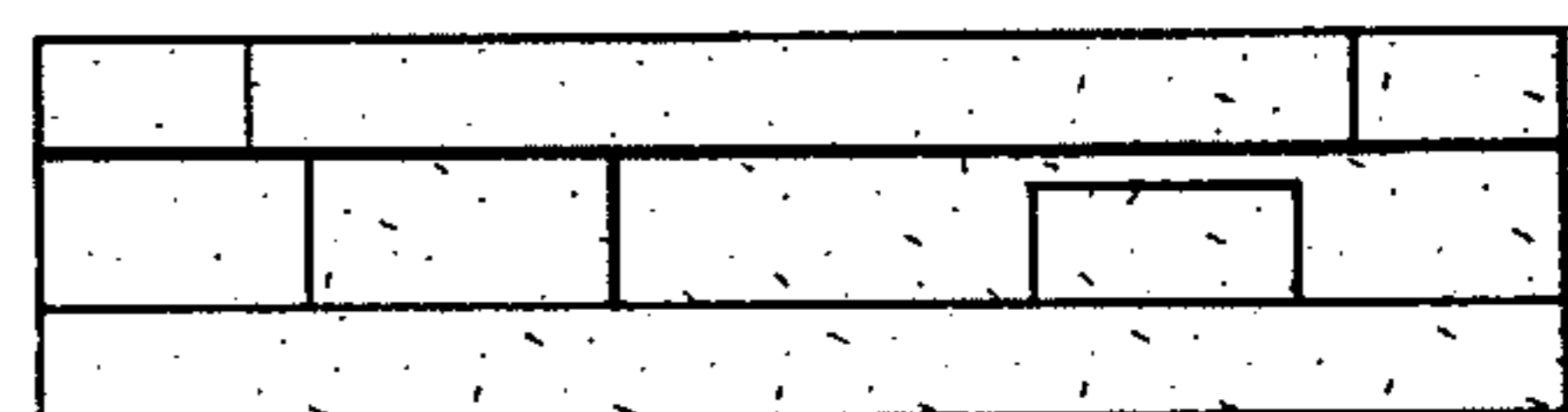


FIGURE 4

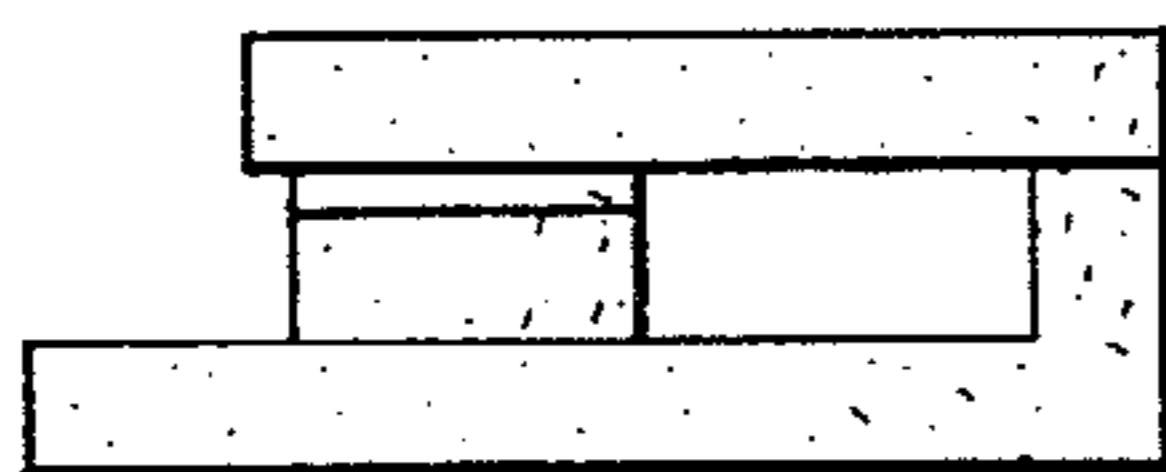


FIGURE 7



FIGURE 6