



US00D379088S

United States Patent [19] Hopper

[11] Patent Number: **Des. 379,088**
[45] Date of Patent: ****May 6, 1997**

[54] **CATV HOUSING WITH HEAT SINK FINS**

[75] Inventor: **Scott R. Hopper, Kent, Wash.**

[73] Assignee: **Augat Communication Products Inc.,
Kent, Wash.**

[**] Term: **14 Years**

[21] Appl. No.: **50,093**

[22] Filed: **Feb. 8, 1996**

[51] **LOC (6) Cl. 13-03**

[52] **U.S. Cl. D13/152**

[58] **Field of Search D13/152, 179,
D13/184; 174/48, 50, 51, 66, 65 R, 58-60;
361/379, 380-385, 390-395**

D. 340,693	10/1993	Brownlie et al.	D13/152
3,421,578	1/1969	Marton	165/186
4,237,521	12/1980	Denker	361/384
4,403,106	9/1983	Lask et al.	174/59
4,419,537	12/1983	Leep et al.	174/65 R
4,765,397	8/1988	Chrysler et al.	165/104.33
4,937,722	6/1990	Deierlein	363/49
5,150,278	9/1992	Lynes et al.	361/386
5,286,919	2/1994	Benson et al.	174/50
5,416,271	5/1995	Birmingham et al.	174/48

Primary Examiner—Doris Clark
Attorney, Agent, or Firm—Weingarten, Schurgin, Gagnebin
& Hayes LLP

[57] CLAIM

The ornamental design for a CATV housing with heat sink fins, as shown.

DESCRIPTION

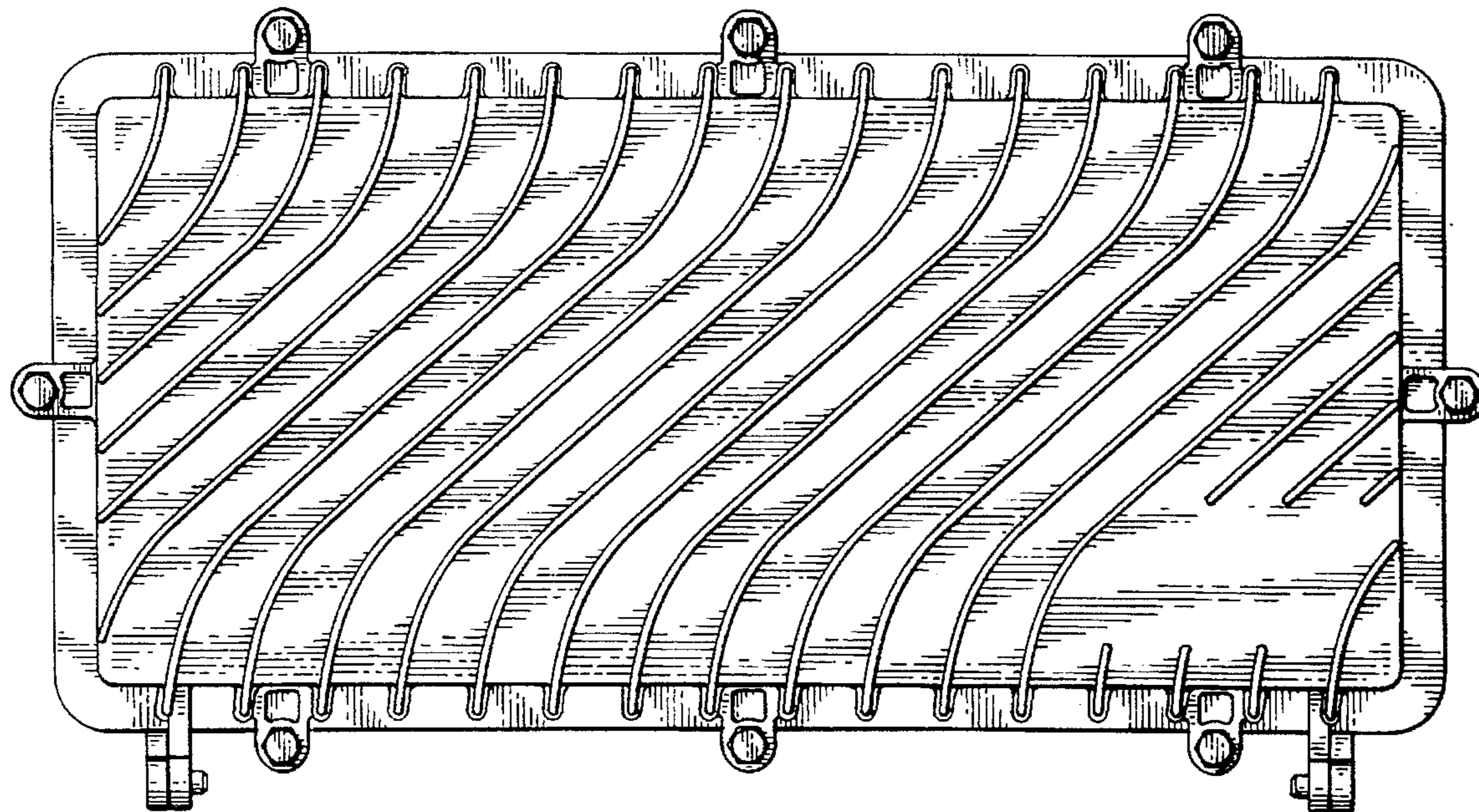
FIG. 1 is a top plan view of a CATV housing with heat sink fins embodying my new design;
FIG. 2 is a bottom plan view thereof;
FIG. 3 is a side elevational view thereof;
FIG. 4 is a side elevational view thereof;
FIG. 5 is a front elevational view thereof; and,
FIG. 6 is a rear elevational view thereof.

1 Claim, 5 Drawing Sheets

[56] References Cited

U.S. PATENT DOCUMENTS

D. 238,581	1/1976	Lehmann	D26/5 R
D. 252,568	8/1979	Comstock	D13/40
D. 265,986	8/1982	Wearsch et al.	D13/13
D. 266,662	10/1982	Brownell et al.	D13/13
D. 312,244	11/1990	Collins et al.	D13/152
D. 317,908	7/1991	Channell	D13/184
D. 336,074	6/1993	Friend et al.	D13/184
D. 337,308	7/1993	Farinelli et al.	D13/152



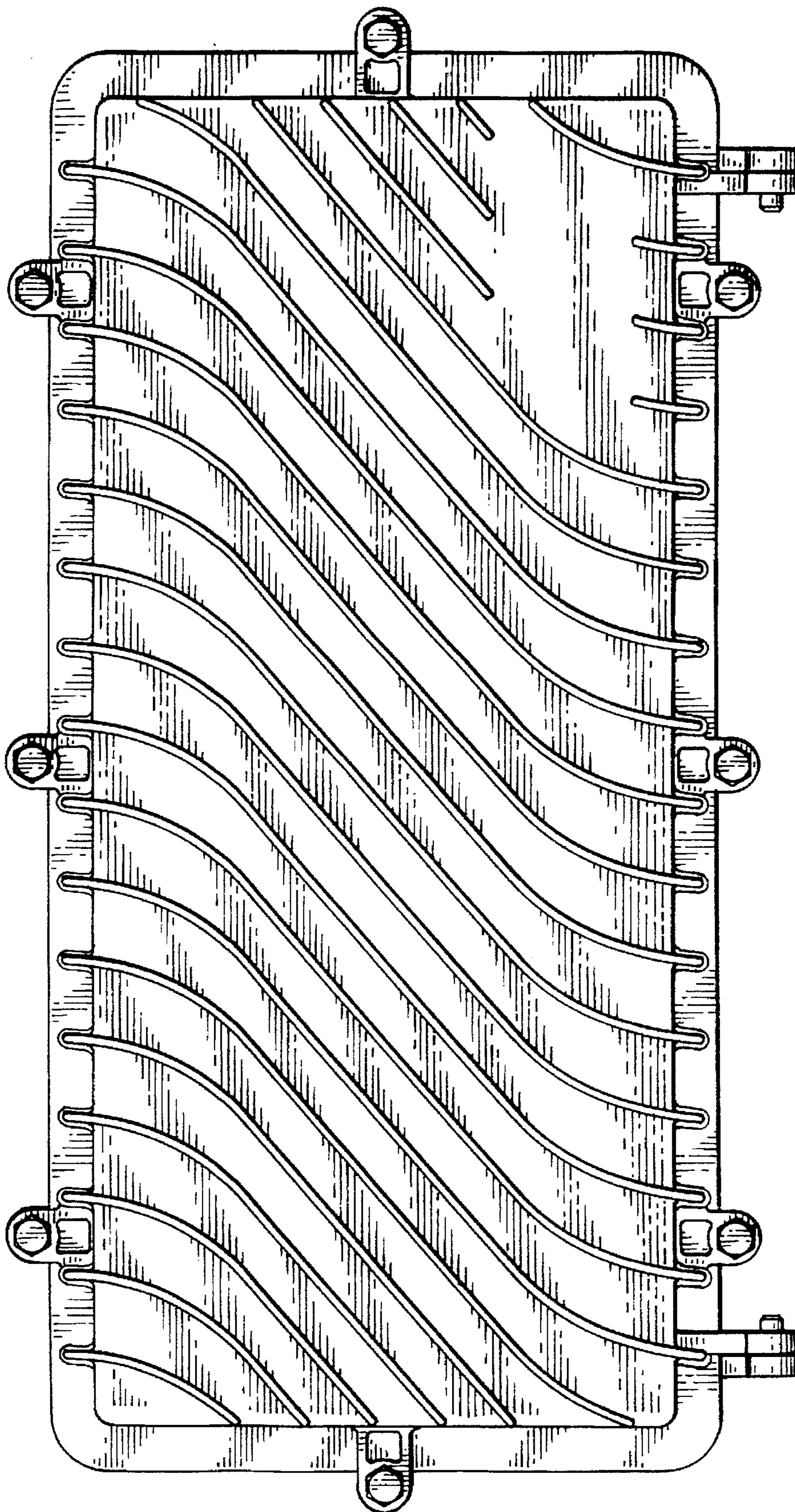


FIG. 1

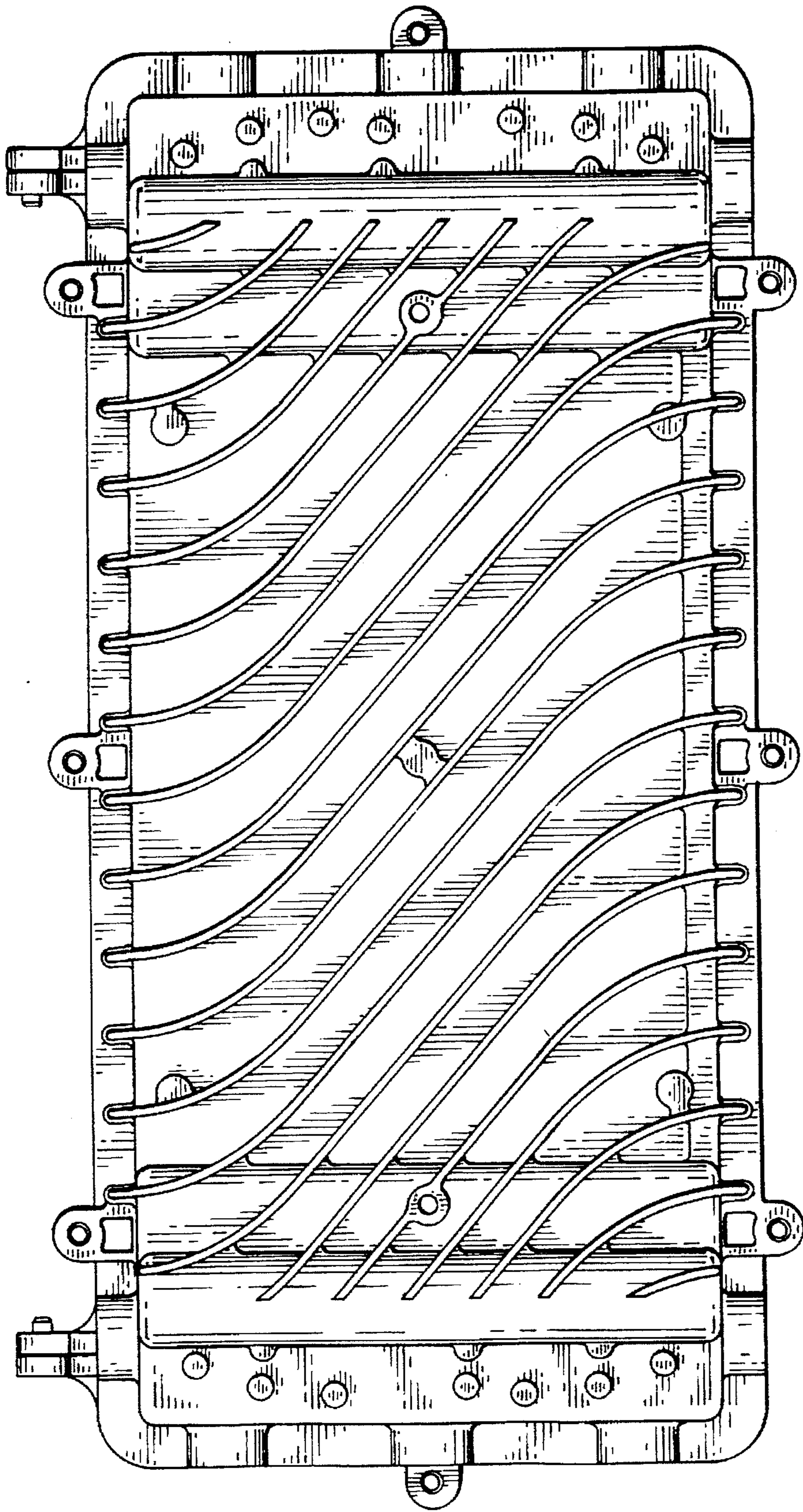


FIG. 2

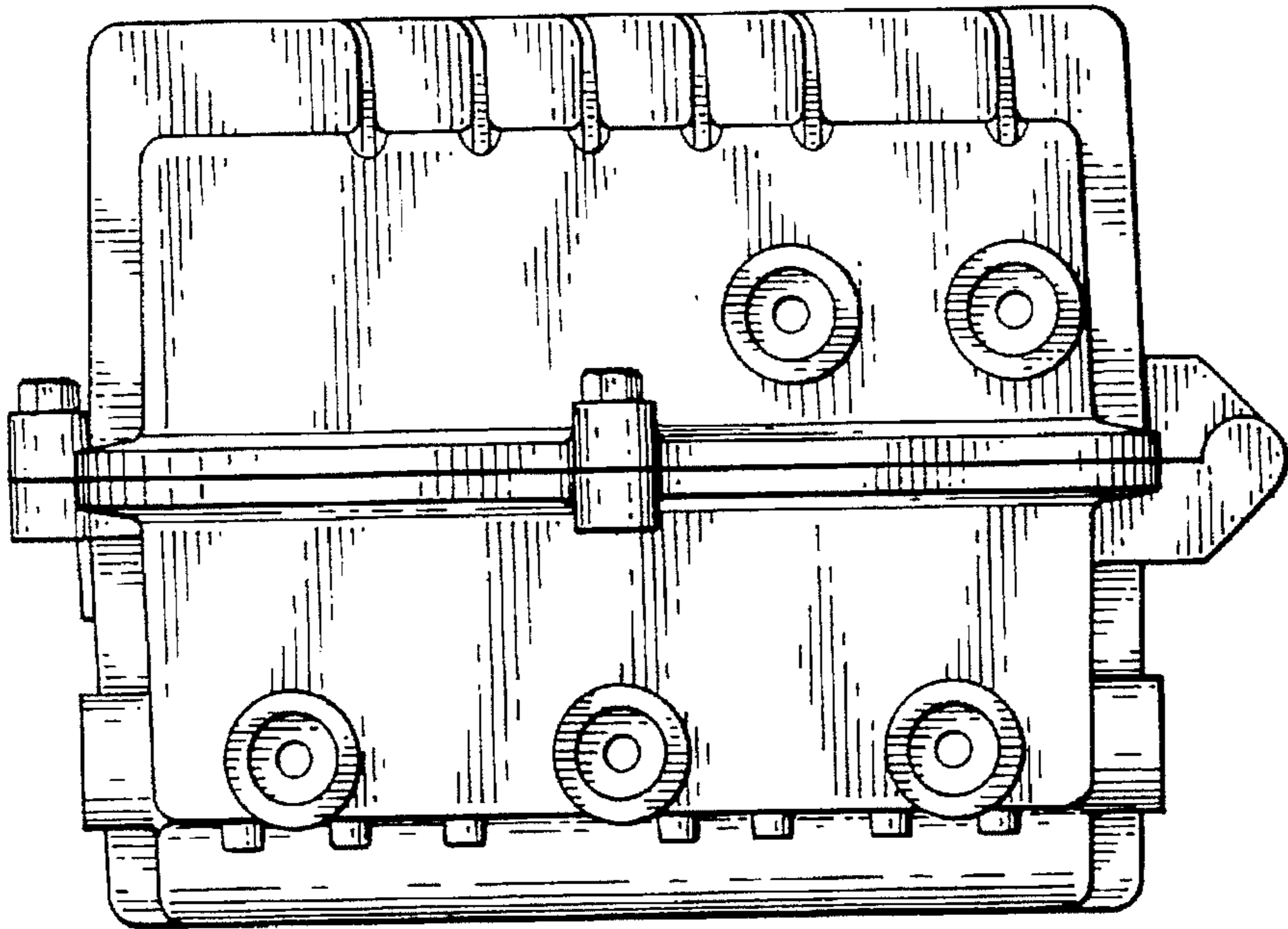


FIG. 3

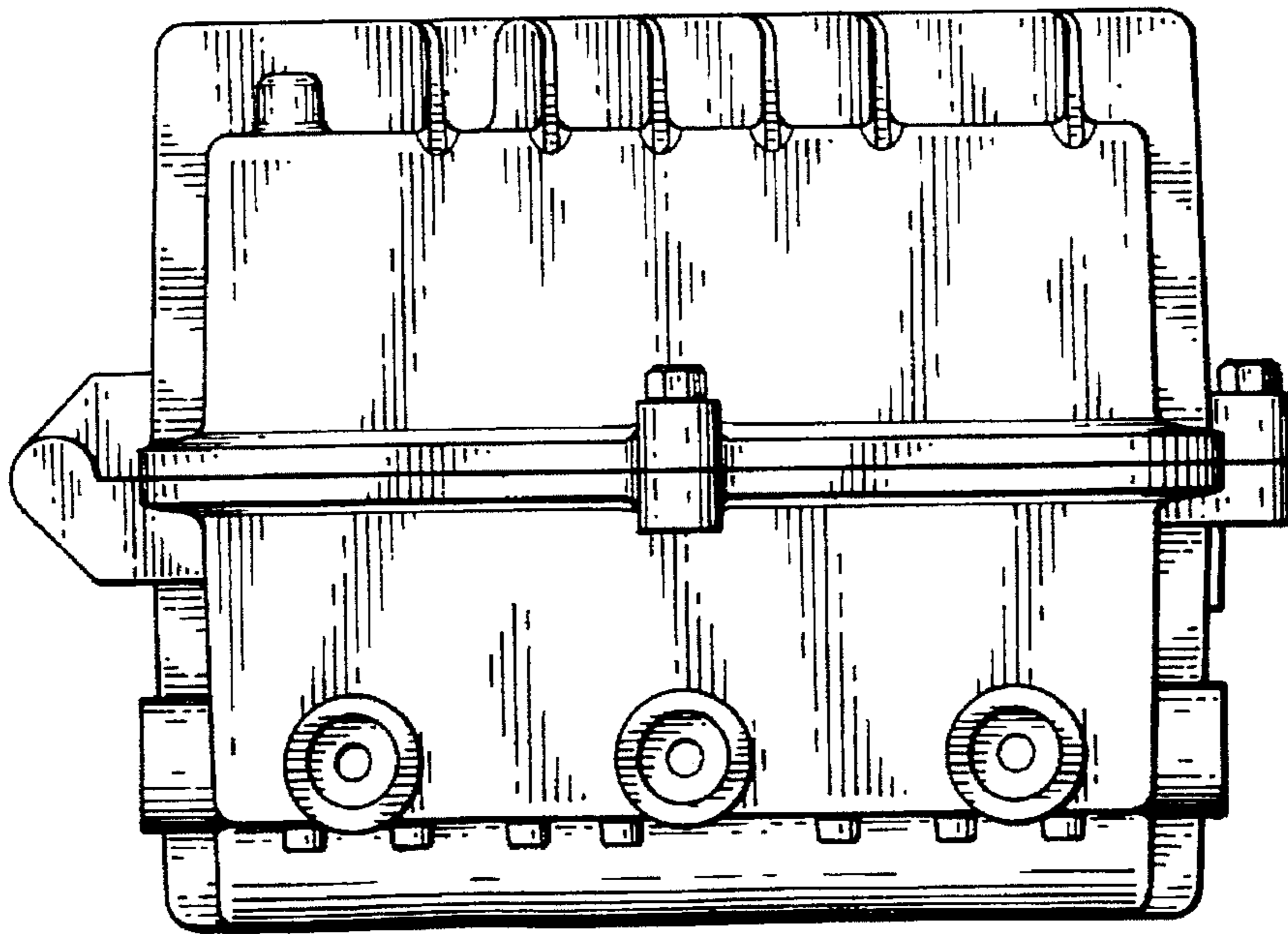


FIG. 4

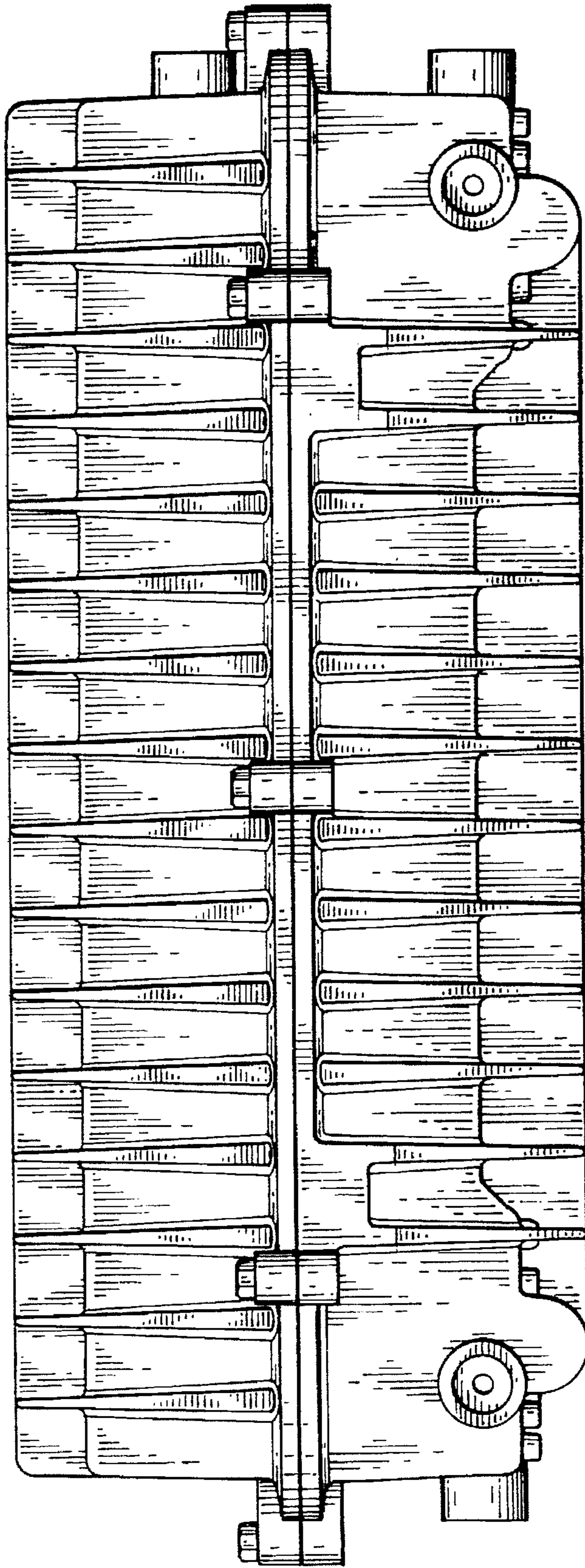


FIG. 5

FIG. 6

