



US00D379087S

# United States Patent [19]

Steinbugler

[11] Patent Number: **Des. 379,087**

[45] Date of Patent: **\*\*May 6, 1997**

[54] **REAR PORTION OF A PERSONAL COMPUTER MEMORY CARD INDUSTRY ASSOCIATION (PCMCIA) CABLE CONNECTOR**

[75] Inventor: **Robert E. Steinbugler, Raleigh, N.C.**

[73] Assignee: **International Business Machines Corporation, Armonk, N.Y.**

[\*\*] Term: **14 Years**

[21] Appl. No.: **16,773**

[22] Filed: **Dec. 22, 1993**

[51] LOC (6) Cl. .... **13-03**

[52] U.S. Cl. .... **D13/147**

[58] Field of Search ..... D13/133, 146, D13/147; 439/248, 347, 577, 606, 655, 656, 660, 682, 692, 352

### [56] References Cited

#### U.S. PATENT DOCUMENTS

D. 331,739	12/1992	Sato et al. ....	D13/147
D. 335,648	5/1993	Ballsieper ....	D13/147
4,944,568	7/1990	Danbach et al. ....	439/248 X
5,242,315	9/1993	O'Dea ....	439/577
5,387,110	2/1995	Kantner et al. ....	D13/147 X
5,411,402	5/1995	Bethurum ....	439/352 X

#### FOREIGN PATENT DOCUMENTS

513858	4/1954	Belgium ....	439/692
--------	--------	--------------	---------

Primary Examiner—Joel Sincavage

Attorney, Agent, or Firm—Stephen T. Keohane; John J. Timar

### [57] CLAIM

The ornamental design for a rear portion of a Personal Computer Memory Card Industry Association (PCMCIA) cable connector, as shown and described.

### DESCRIPTION

FIG. 1 is a top, front and right side perspective with the connector in the unlocked position;

FIG. 2 is a bottom, front and left side perspective with the connector in the unlocked position;

FIG. 3 is a front elevational view thereof;

FIG. 4 is a rear elevational view thereof;

FIG. 5 is a right side elevational view thereof;

FIG. 6 is a left side elevational view thereof;

FIG. 7 is a top plan view with the connector in the unlocked position;

FIG. 8 is a bottom plan view with the connector in the unlocked position;

FIG. 9 is a top, front and right side perspective with the connector in the locked position;

FIG. 10 is a bottom, front and left side perspective with the connector in the locked position;

FIG. 11 is a top plan view with the connector in the locked position; and,

FIG. 12 is a bottom plan view with the connector in the locked position.

The broken line shown is included for the purpose of illustrating environmental structure only and forms no part of the claimed design.

1 Claim, 6 Drawing Sheets

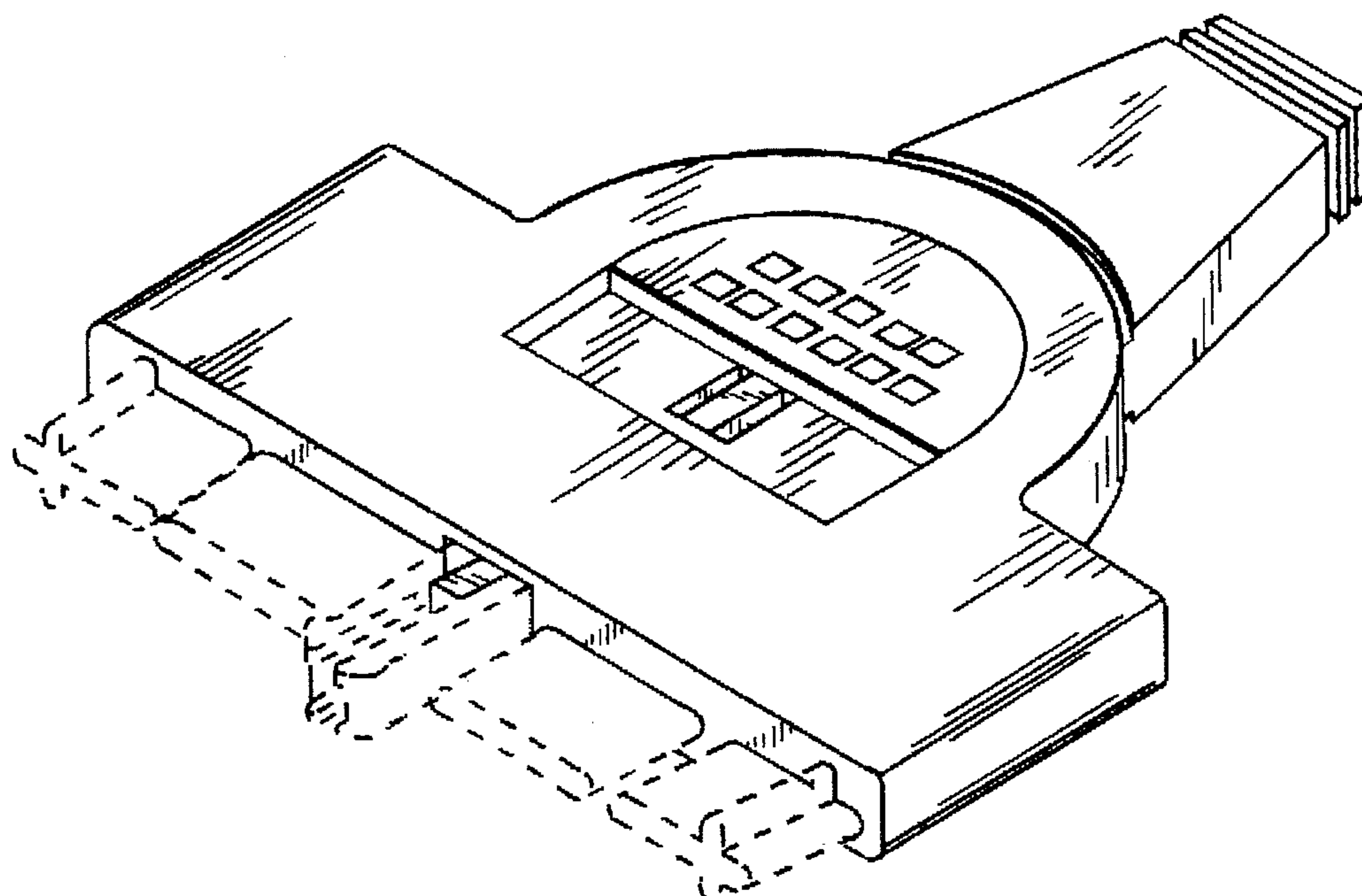


FIG. 1

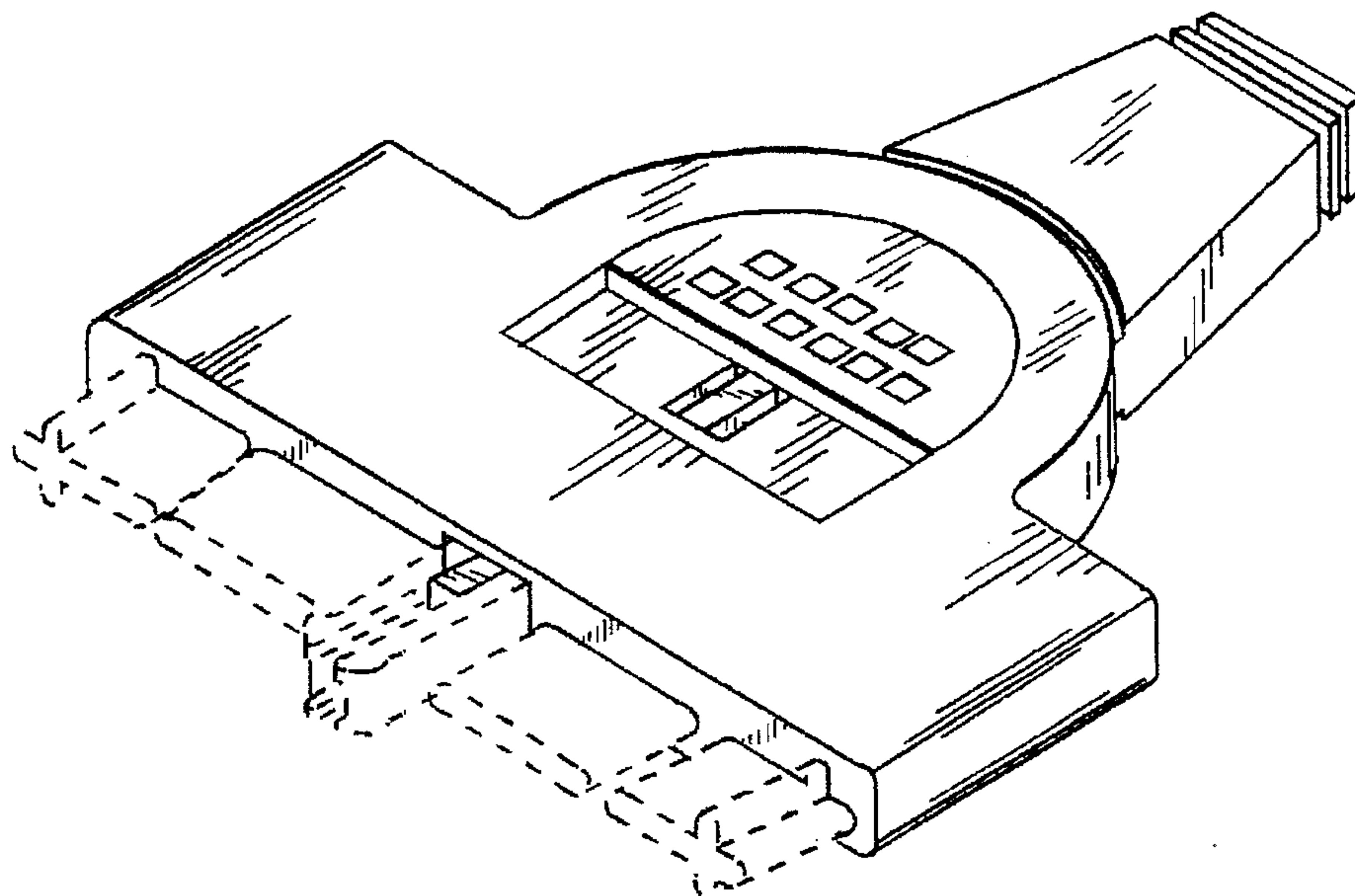


FIG. 2

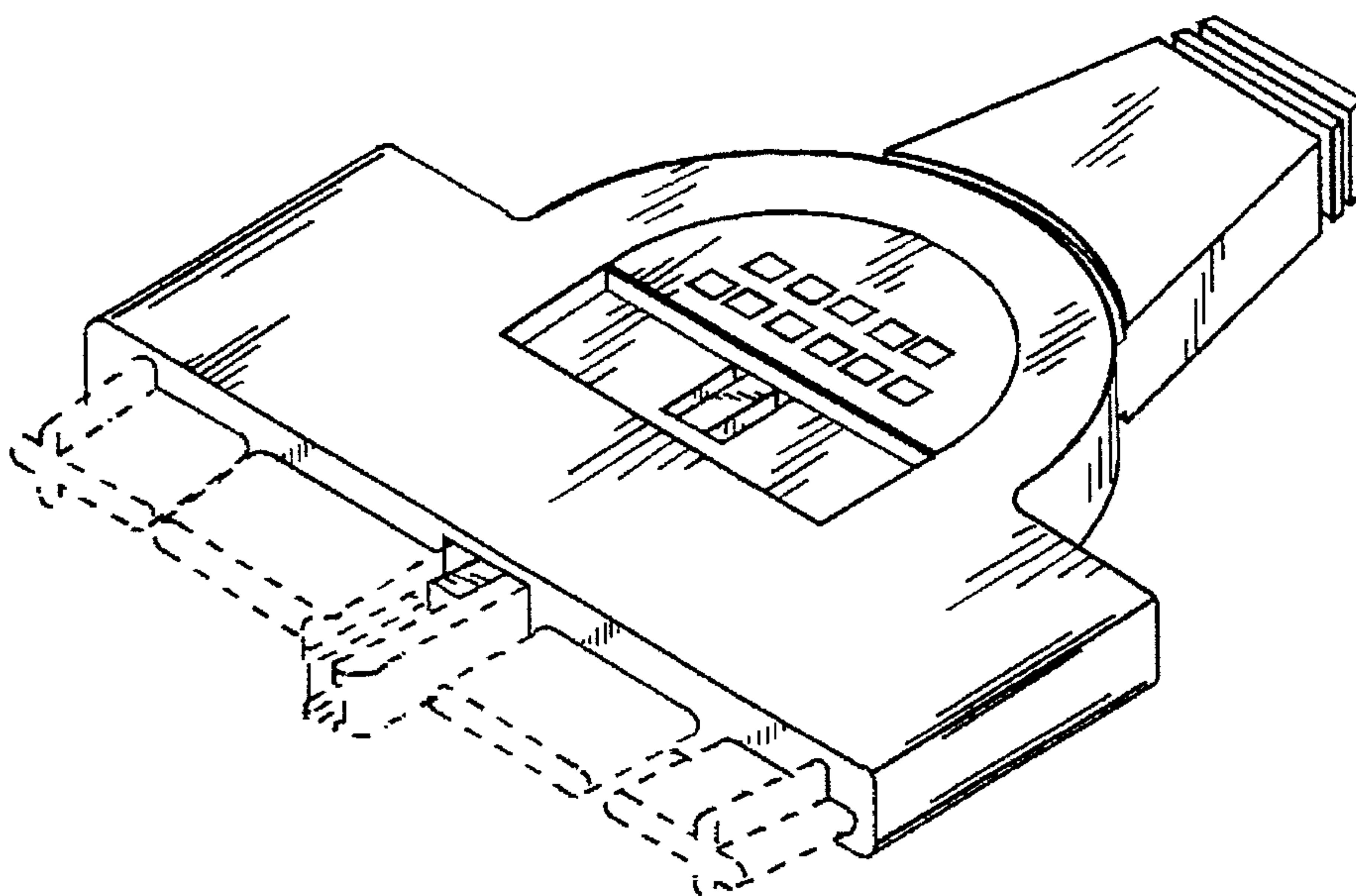


FIG. 3

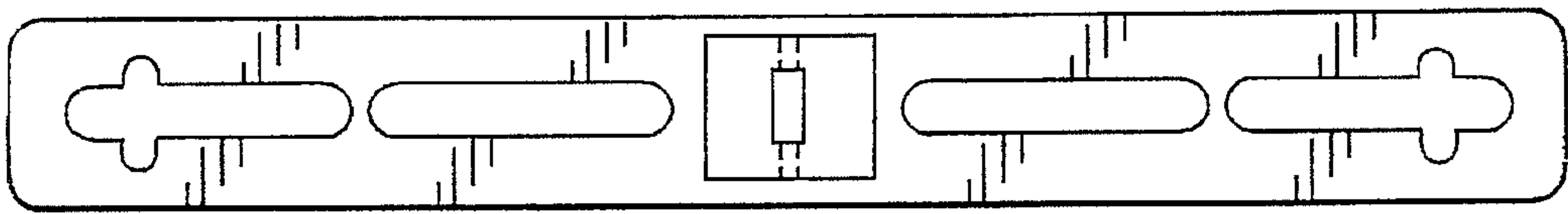


FIG. 4

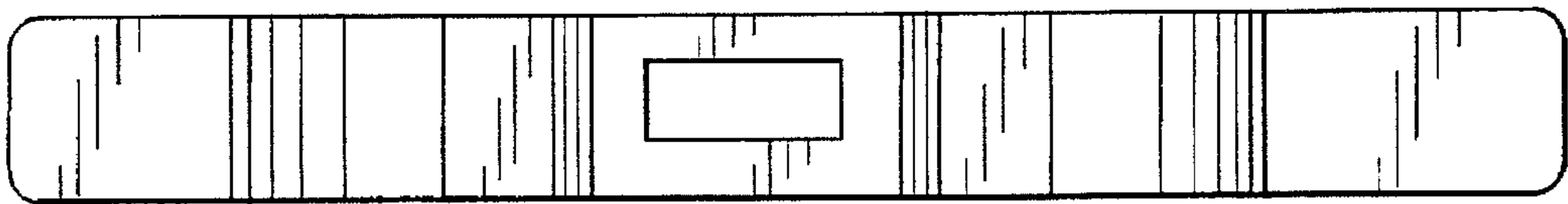


FIG. 5

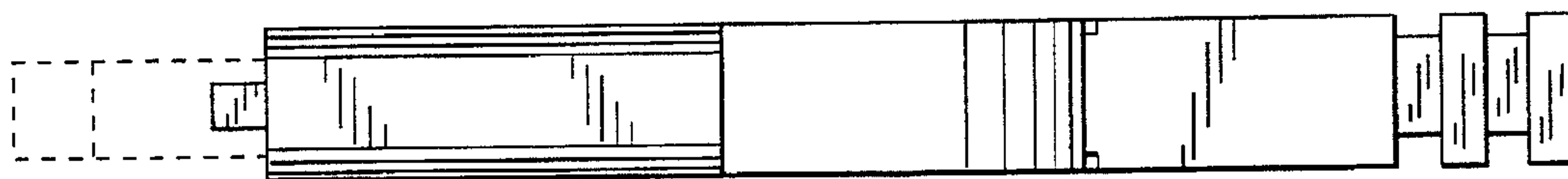
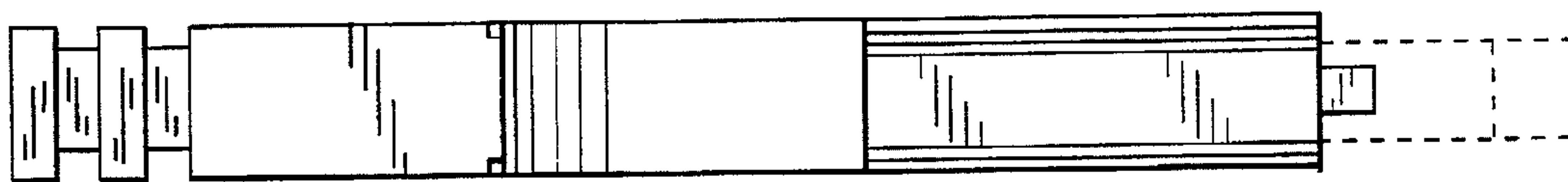


FIG. 6



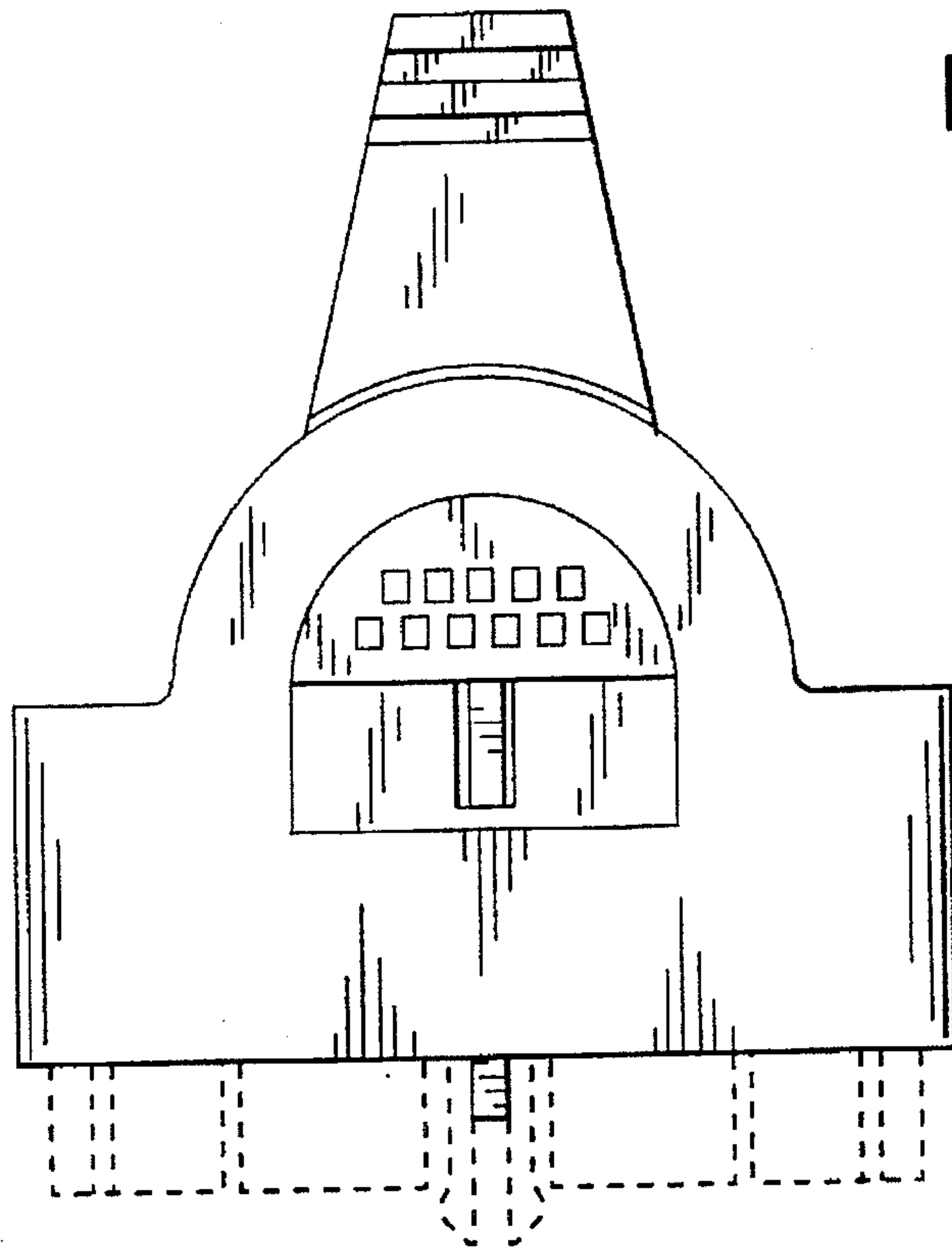


FIG. 7

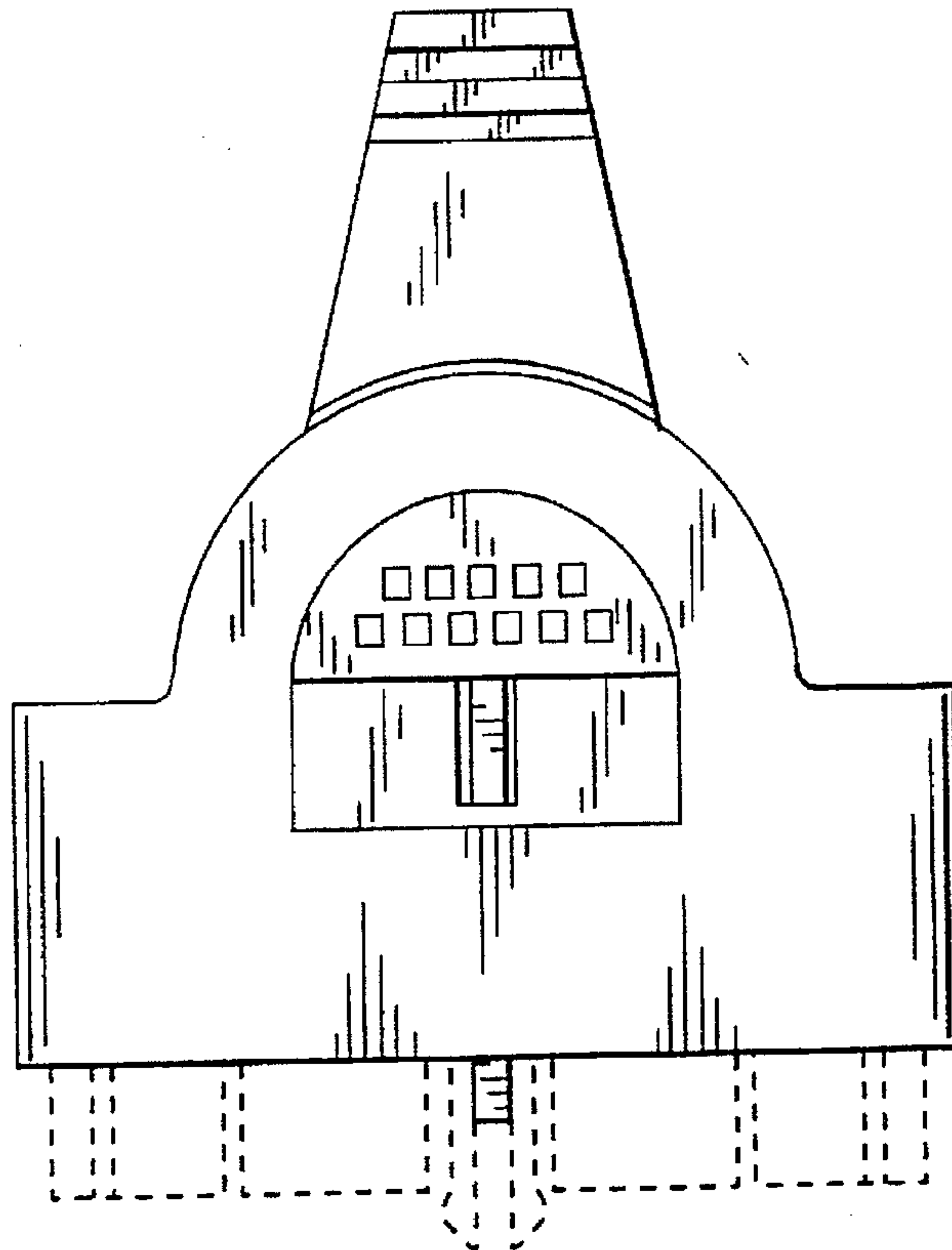


FIG. 8



FIG. 9

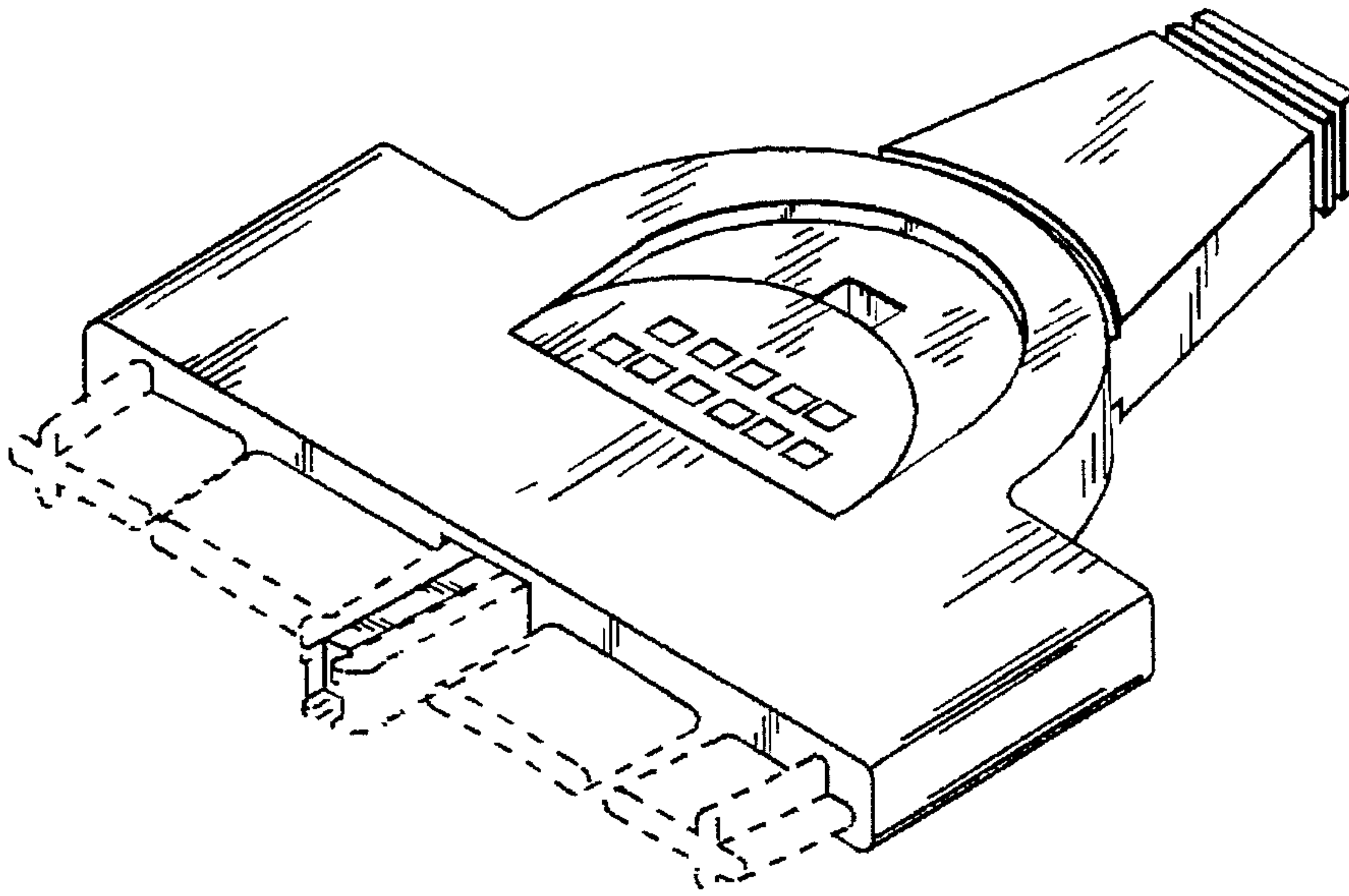
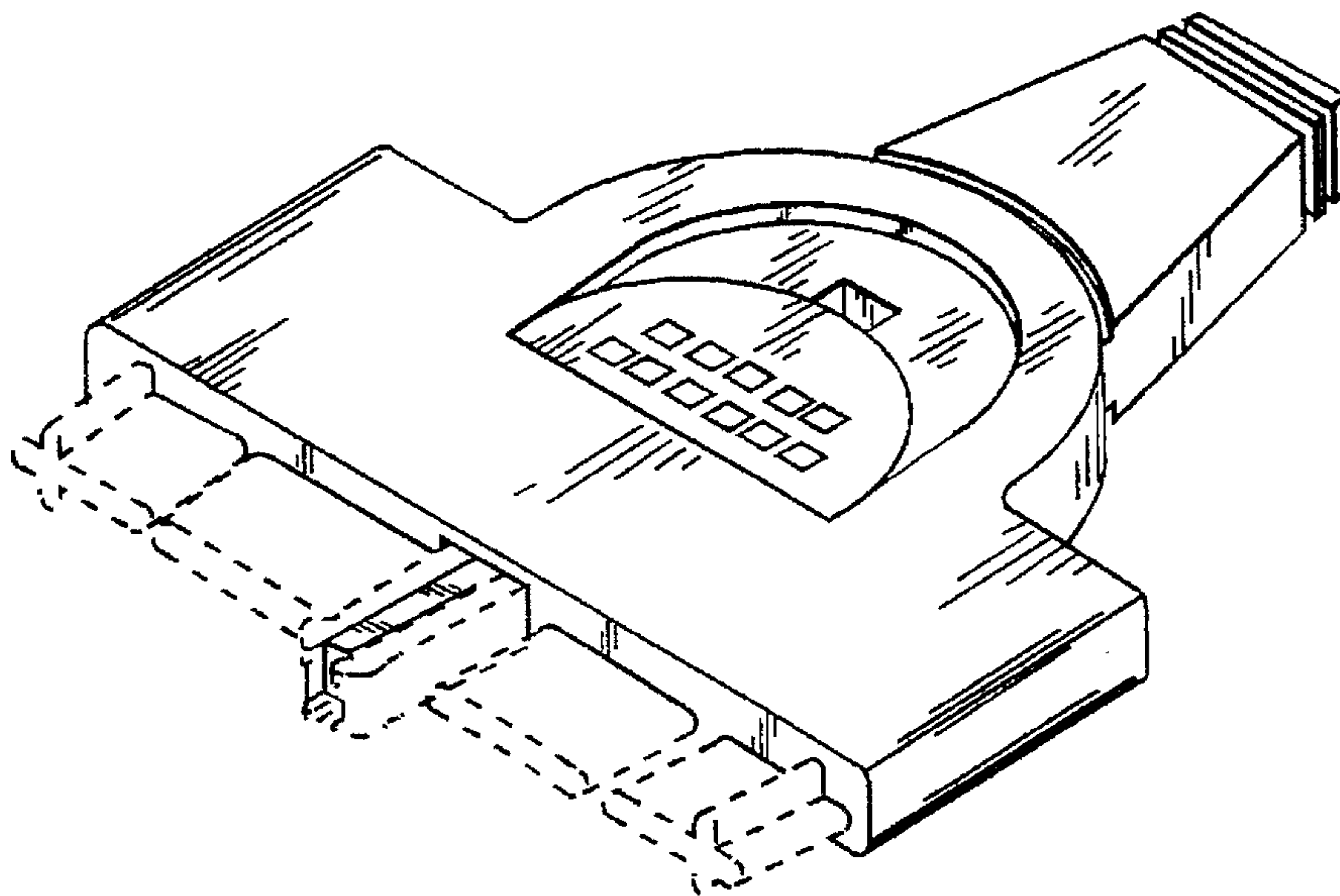


FIG. 10



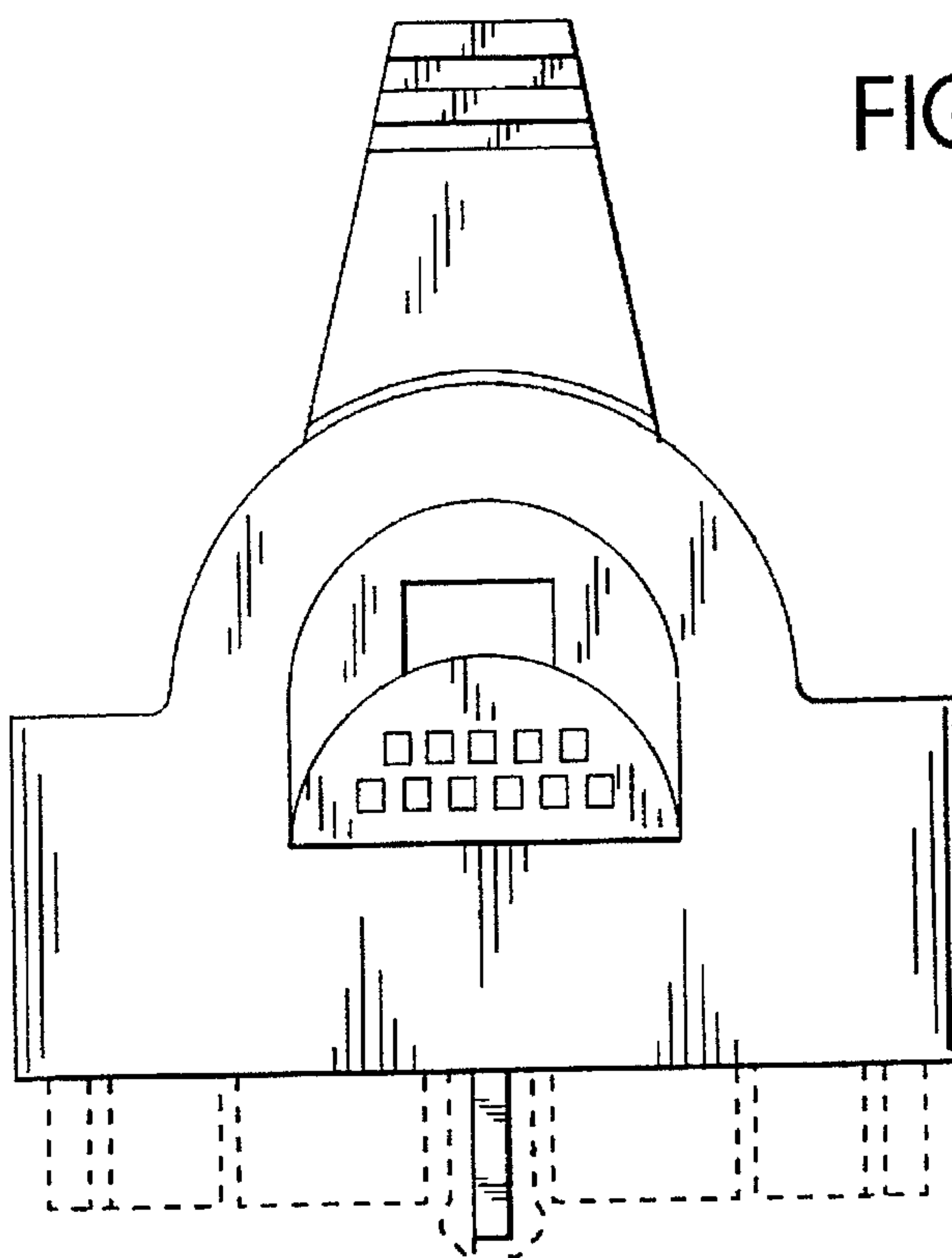


FIG. 11

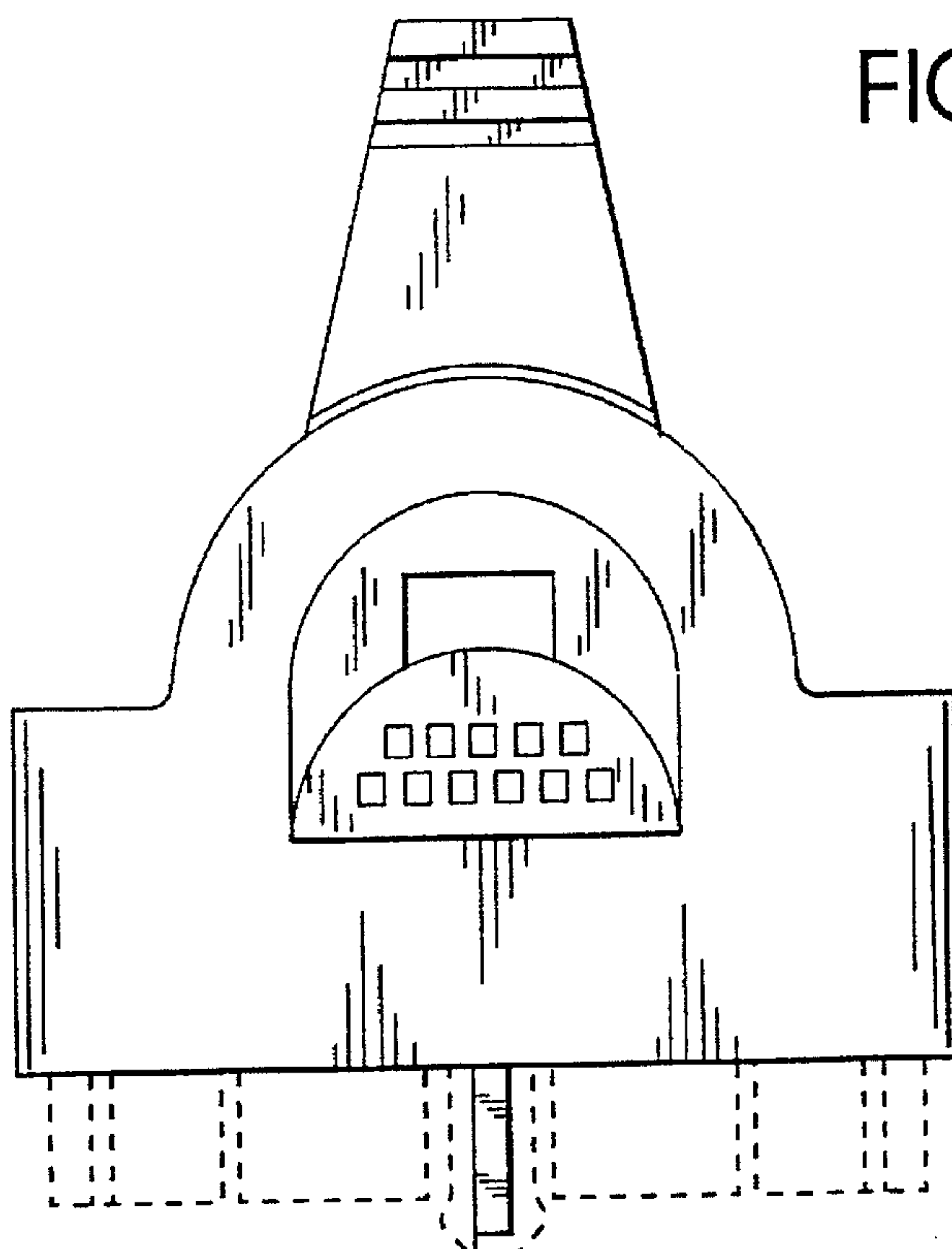


FIG. 12