



US00D379085S

United States Patent [19]
Mackay

[11] **Patent Number: Des. 379,085**
[45] **Date of Patent: **May 6, 1997**

[54] **TRANSFORMER HOUSING**

[76] Inventor: **Iain N. B. Mackay**, R.R.#2, Beeton,
Ontario, Canada, L0G 1A0

[**] Term: **14 Years**

[21] Appl. No.: **48,105**

[22] Filed: **Dec. 20, 1995**

[30] **Foreign Application Priority Data**

Jun. 21, 1995 [CA] Canada 1995-1375

[51] **LOC (6) Cl.** **13-02**

[52] **U.S. Cl.** **D13/110**

[58] **Field of Search** D13/110; 307/150;
336/83, 90, 92, 98, 107, 192; 361/730,
836; 363/15, 146

[56] **References Cited**

U.S. PATENT DOCUMENTS

3,381,524 5/1968 Dombush et al. 336/90 X
3,685,682 8/1972 Frey, III 336/90 X

OTHER PUBLICATIONS

German Catalogue, Circa 1994, "Starparc-Trafo" 20VA and
40VA (item 1).

Adjusta-Post Catalogue© 1990, "Power Packs" (item 2).

Twilight Catalogue (Taiwan, Circa 1994, "Heavy Duty
Transformers" (item 3).

U.S.A. Catalogue, Circa 1993, "LV250T, LV500T and
LV108T" (item 4).

RAB Canada Catalogue, page 12, Circa 1995, "Transformer
Power Packs" (item 5).

U.S.A. Catalogue, page 21, Circa 1995, "BLCS121A" (item
6).

Japan Catalogue, Circa 1995, "DP-22500" (item 7).

Primary Examiner—Antoine Duval Davis

Attorney, Agent, or Firm—Trevor C. Klotz

[57] **CLAIM**

The ornamental design for a transformer housing, as shown.

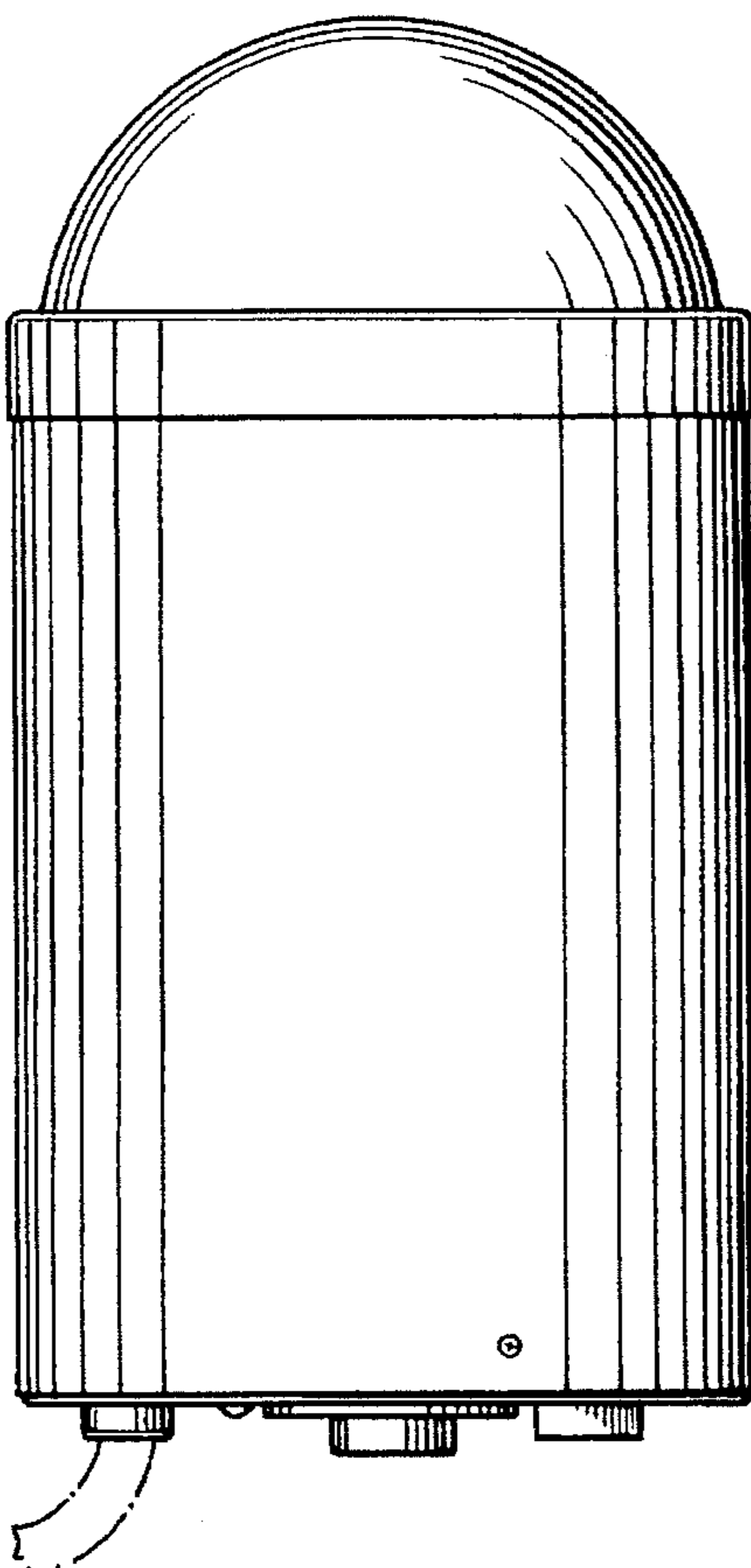
DESCRIPTION

FIG. 1 is a top plan view of the transformer housing;
FIG. 2 is a bottom plan view of the transformer housing;
FIG. 3 is a front elevational view of the transformer housing;
FIG. 4 is a rear elevational view of the transformer housing;
FIG. 5 is a right side elevational view of the transformer
housing; and,

FIG. 6 is a left side elevational view of the transformer
housing.

The broken line showing is for illustrative purposes only and
forms no part of the claimed design.

1 Claim, 3 Drawing Sheets



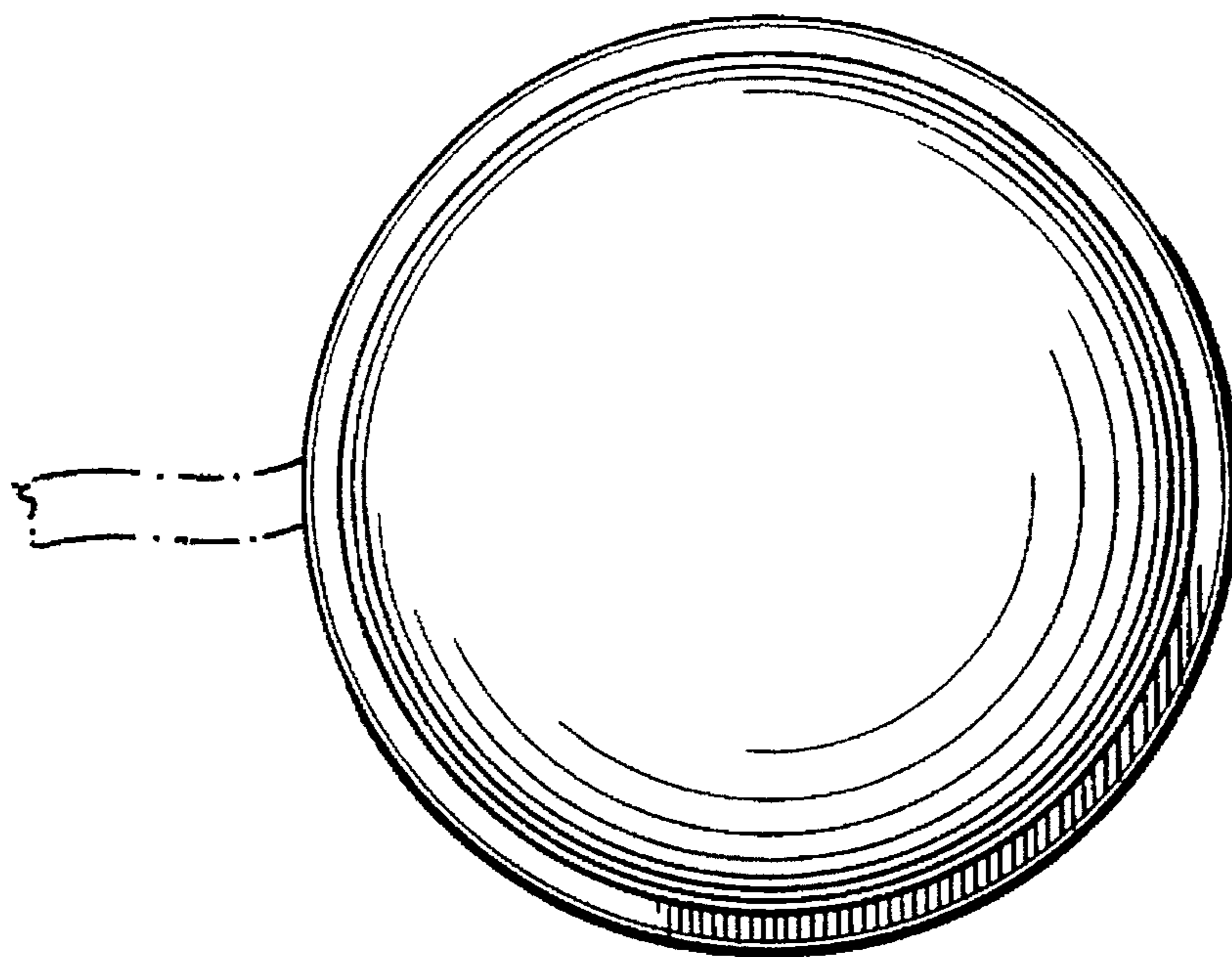


FIG. 1

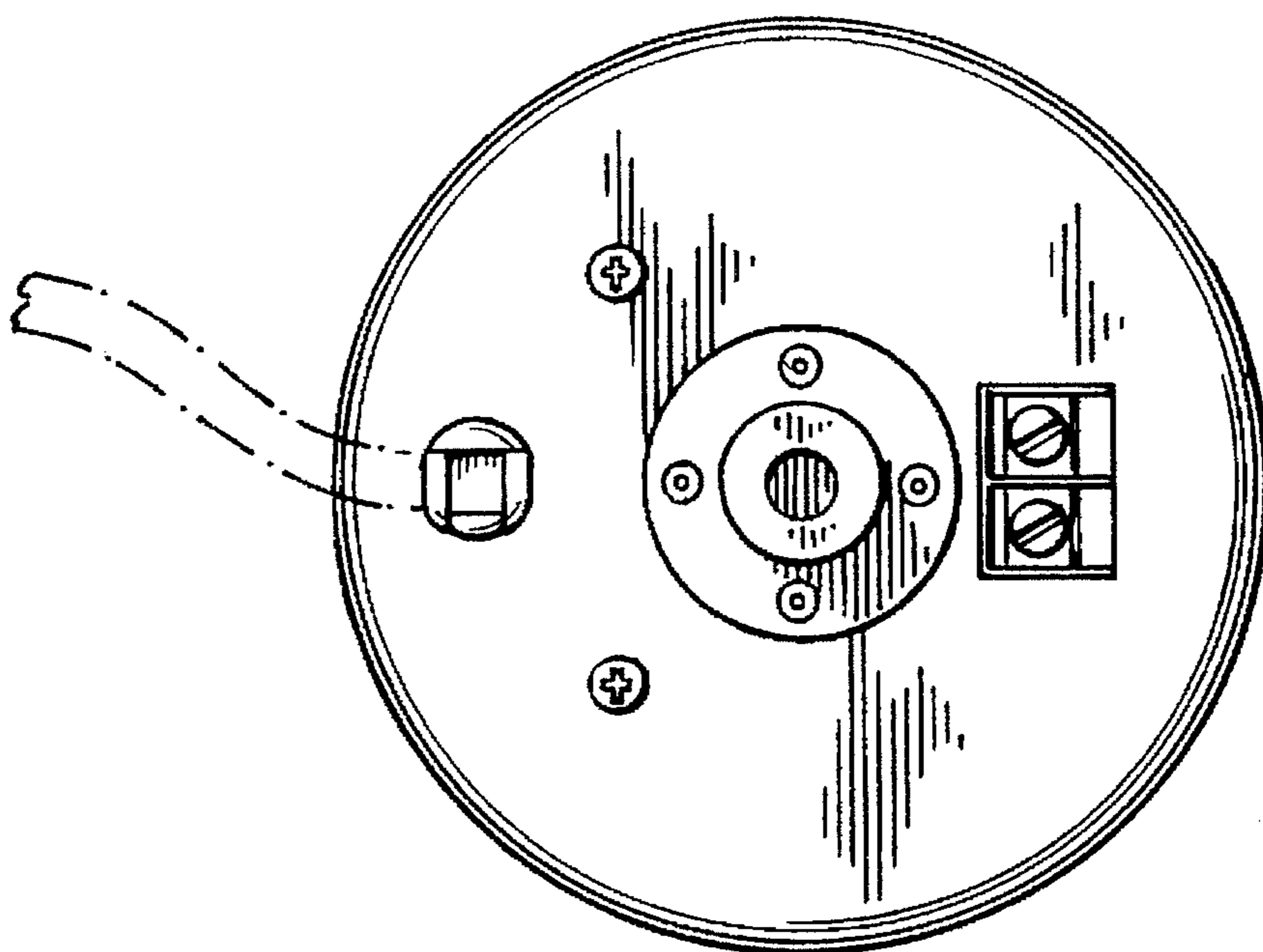


FIG. 2

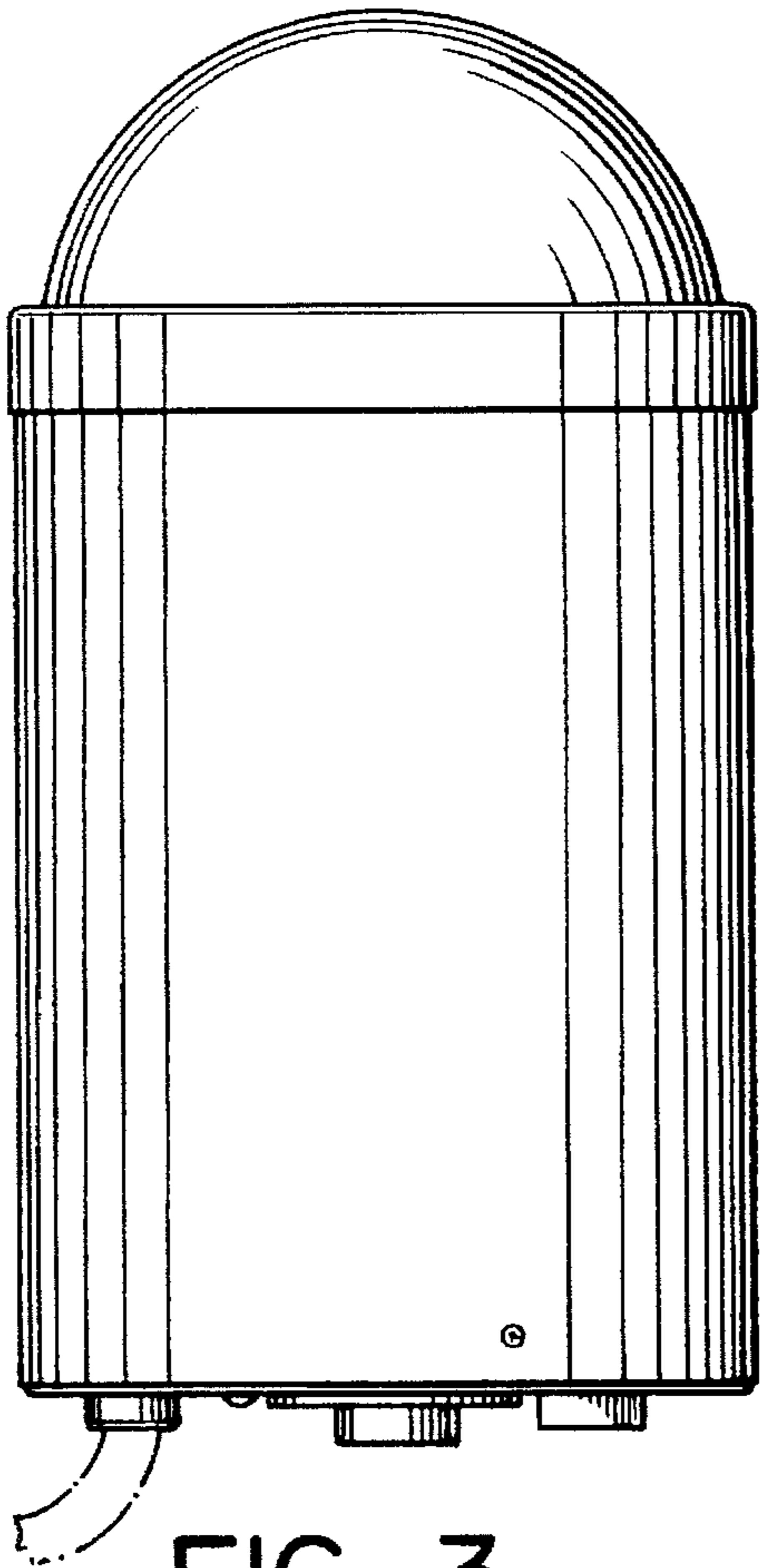


FIG. 3

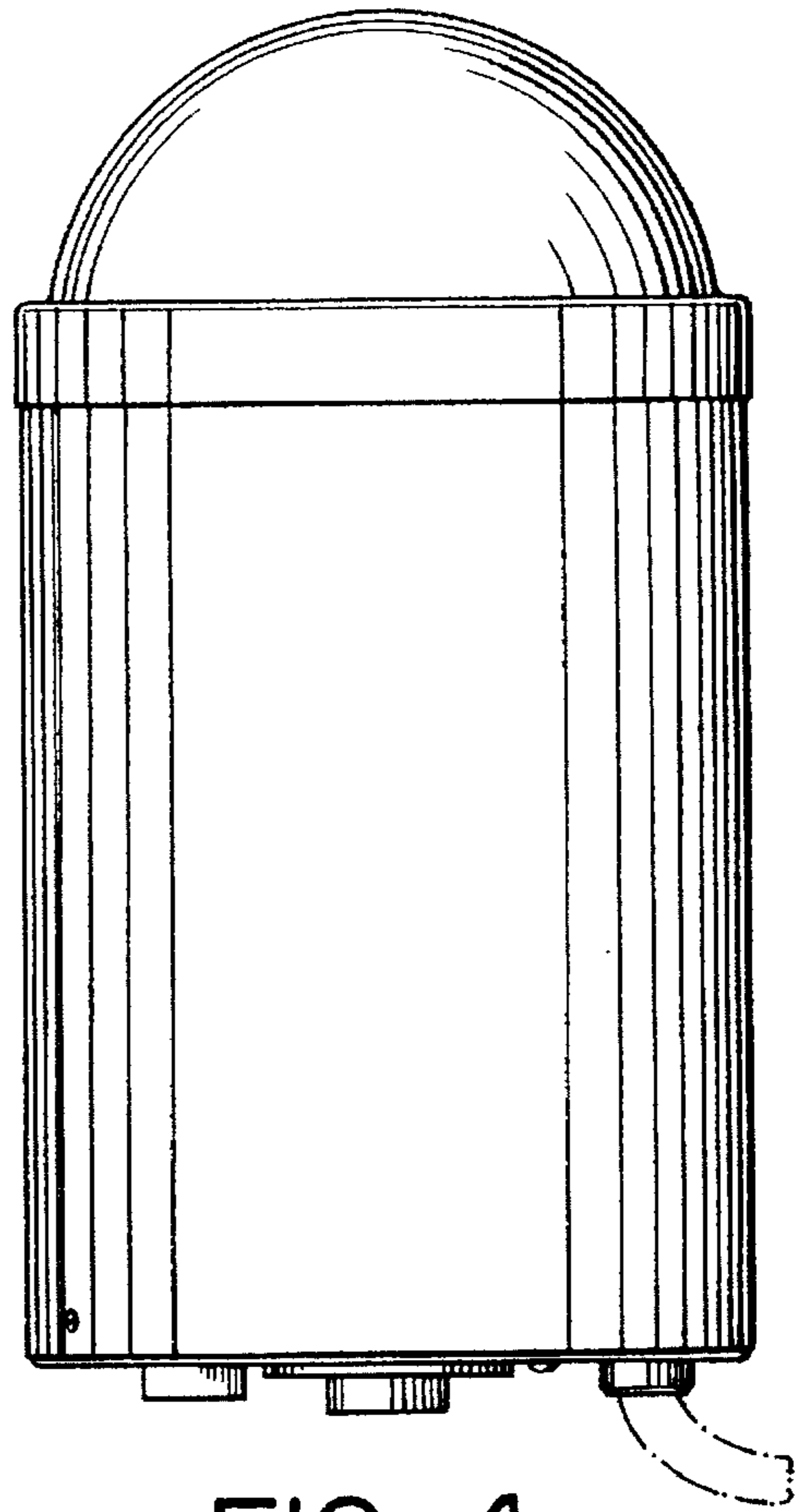


FIG. 4

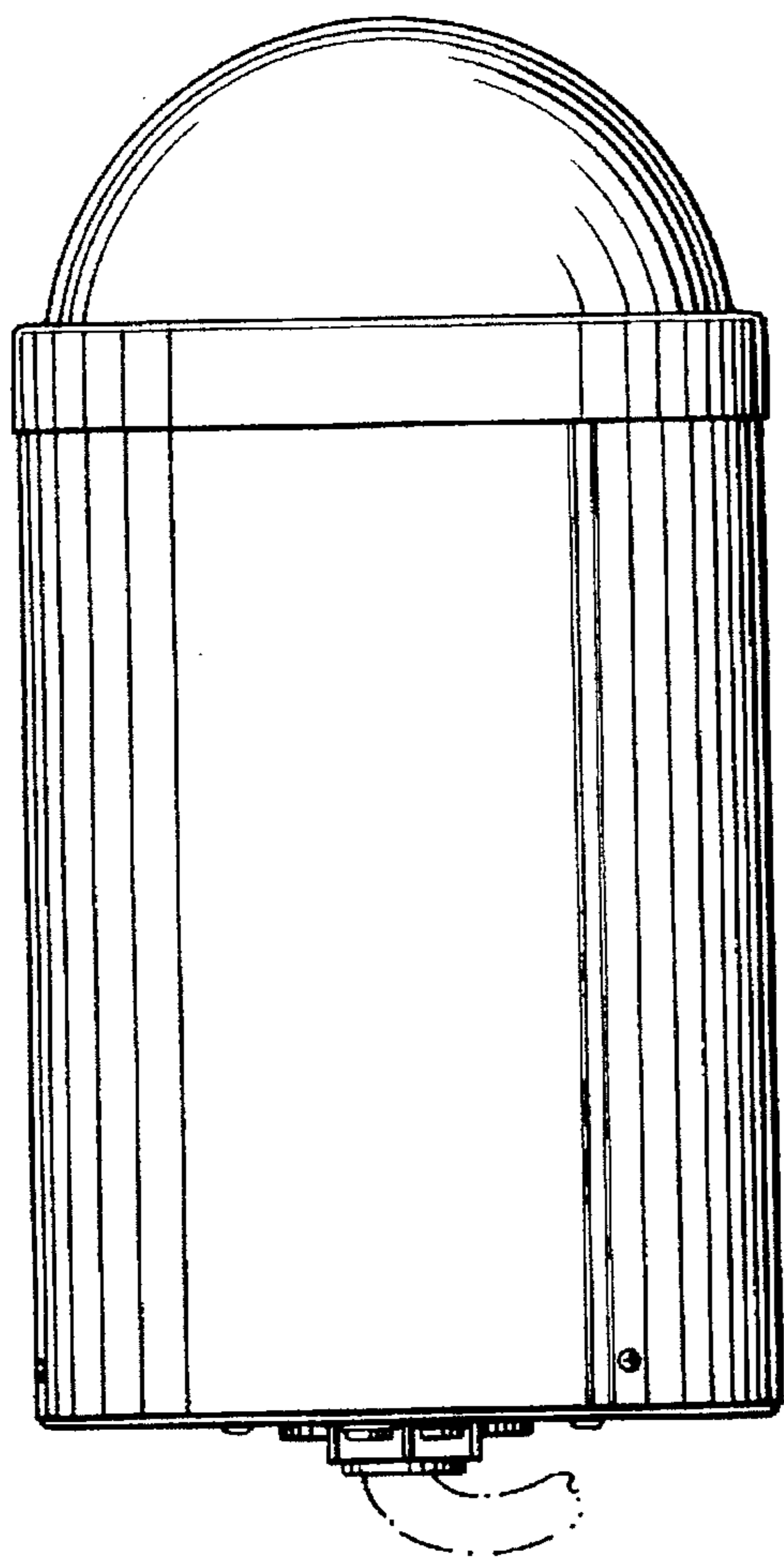


FIG. 5

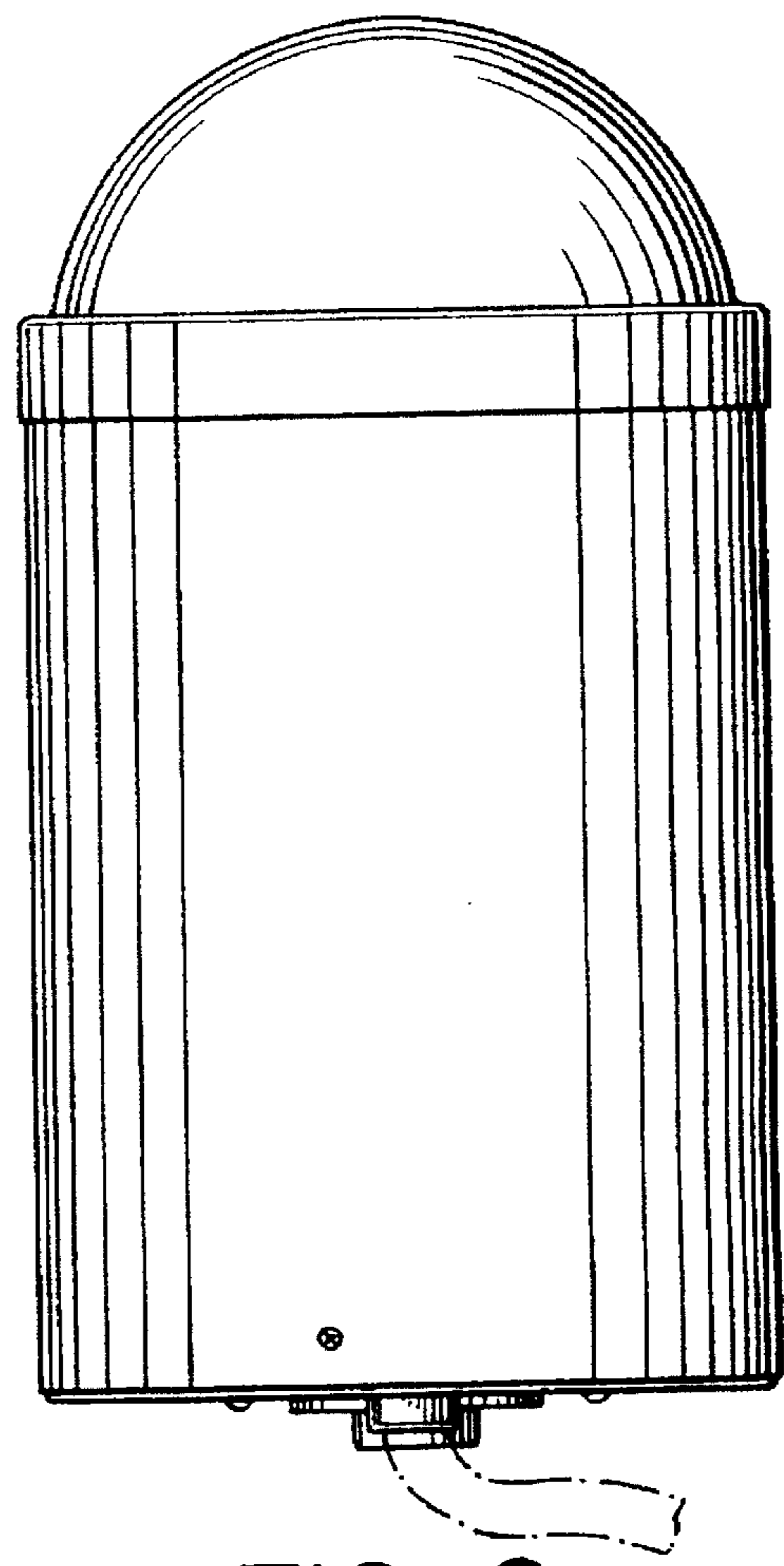


FIG. 6