



US00D379070S

United States Patent [19]

Witzig

[11] Patent Number: **Des. 379,070**

[45] Date of Patent: ****May 6, 1997**

[54] **INFRARED CONTROL PANEL FOR ACTUATING A FLUSH MECHANISM**

[75] Inventor: **Ulrich Witzig**, Wolfhausen, Switzerland

[73] Assignee: **Geberit Technik AG**, Jona, Switzerland

[**] Term: **14 Years**

[21] Appl. No.: **44,947**

[22] Filed: **Oct. 4, 1995**

[30] **Foreign Application Priority Data**

Apr. 6, 1995 [WO] WIPO DMA/002 854

[51] **LOC (6) Cl.** **10-06**

[52] **U.S. Cl.** **D10/106; D23/307**

[58] **Field of Search** D23/303, 304, D23/233, 269, 309-313; D8/352, 353; D10/106, 104; D6/106; D14/218, 114; 4/246.1-246.3

[56] **References Cited**

U.S. PATENT DOCUMENTS

- D. 339,759 9/1993 Ho D10/106
- D. 346,567 5/1994 Rimon D10/106

- D. 352,100 11/1994 Veal D23/309
- D. 354,477 1/1995 Kawamura et al. D23/309
- D. 358,108 5/1995 Yuen D10/106
- D. 359,922 7/1995 Sandell D10/106

Primary Examiner—Doris V. Coles
Assistant Examiner—G. Andoll
Attorney, Agent, or Firm—McGlew and Tuttle

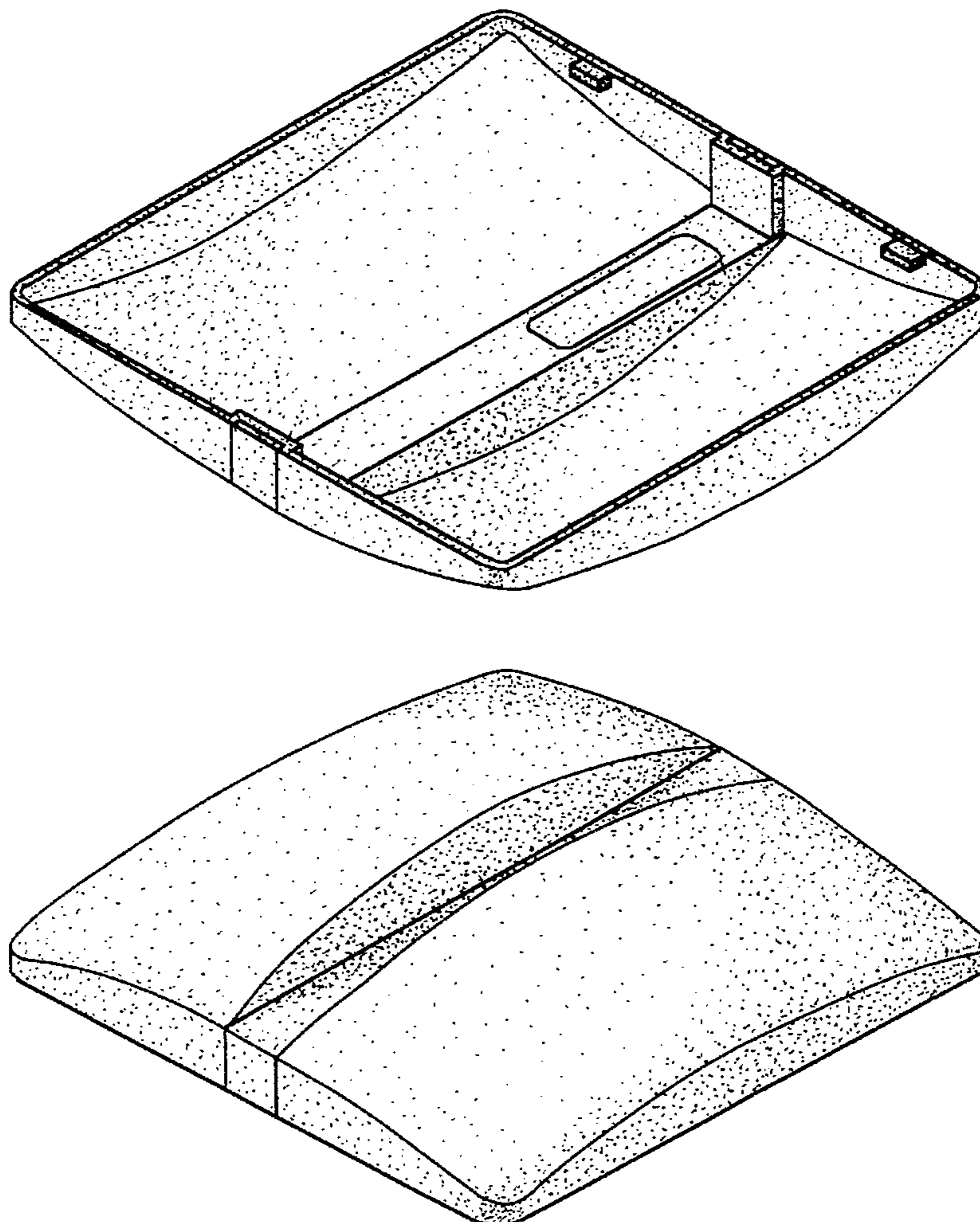
[57] **CLAIM**

The ornamental design for a infrared control panel for actuating a flush mechanism, as shown and described.

DESCRIPTION

FIG. 1 is a front view of the control panel;
FIG. 2 is a bottom view of the control panel of FIG. 1;
FIG. 3 is a top view of the control panel of FIG. 1;
FIG. 4 is a right side view of the control panel of FIG. 1;
FIG. 5 is a left side view of the control panel of FIG. 1;
FIG. 6 is a back view of the control panel of FIG. 1;
FIG. 7 is a back perspective view of the control panel of FIG. 1; and,
FIG. 8 is a front perspective view of the control panel of FIG. 1.

1 Claim, 3 Drawing Sheets



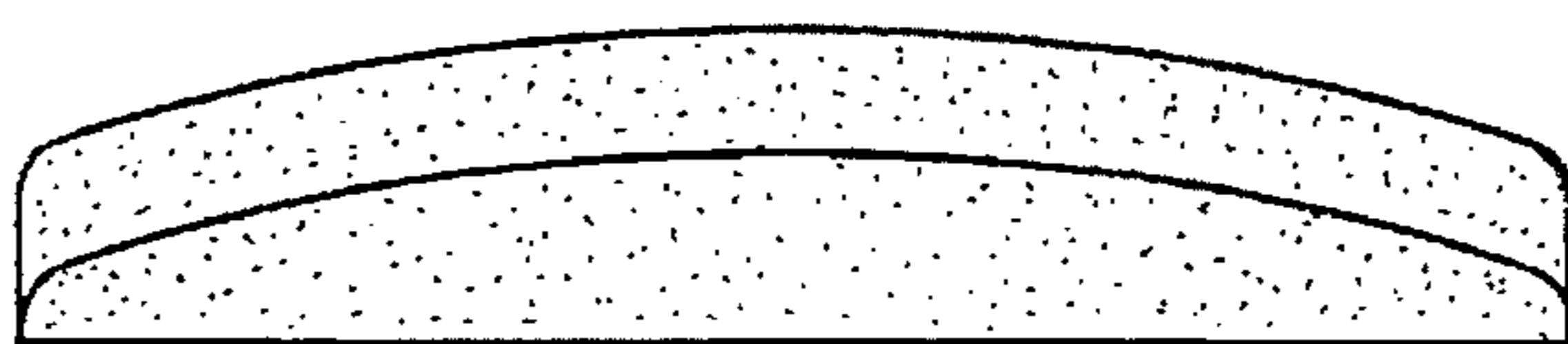


Fig. 2

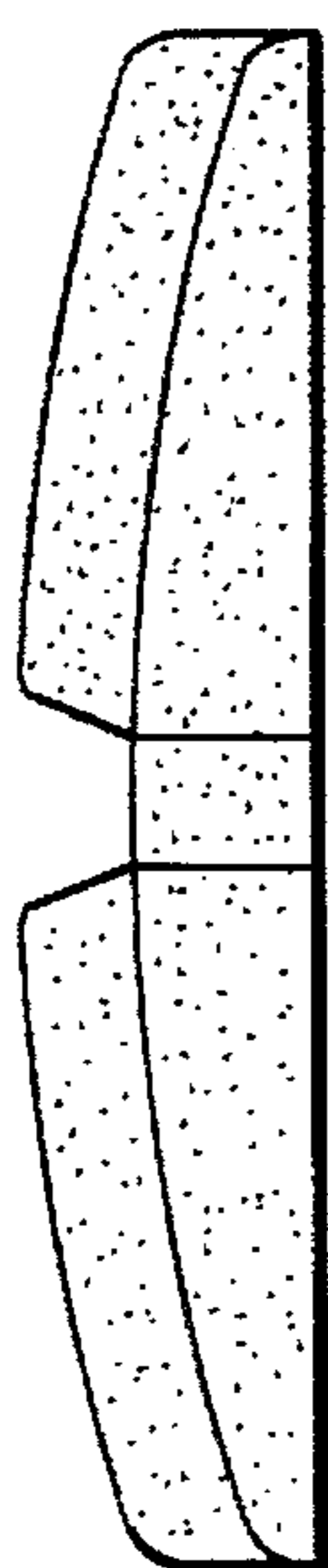


Fig. 4

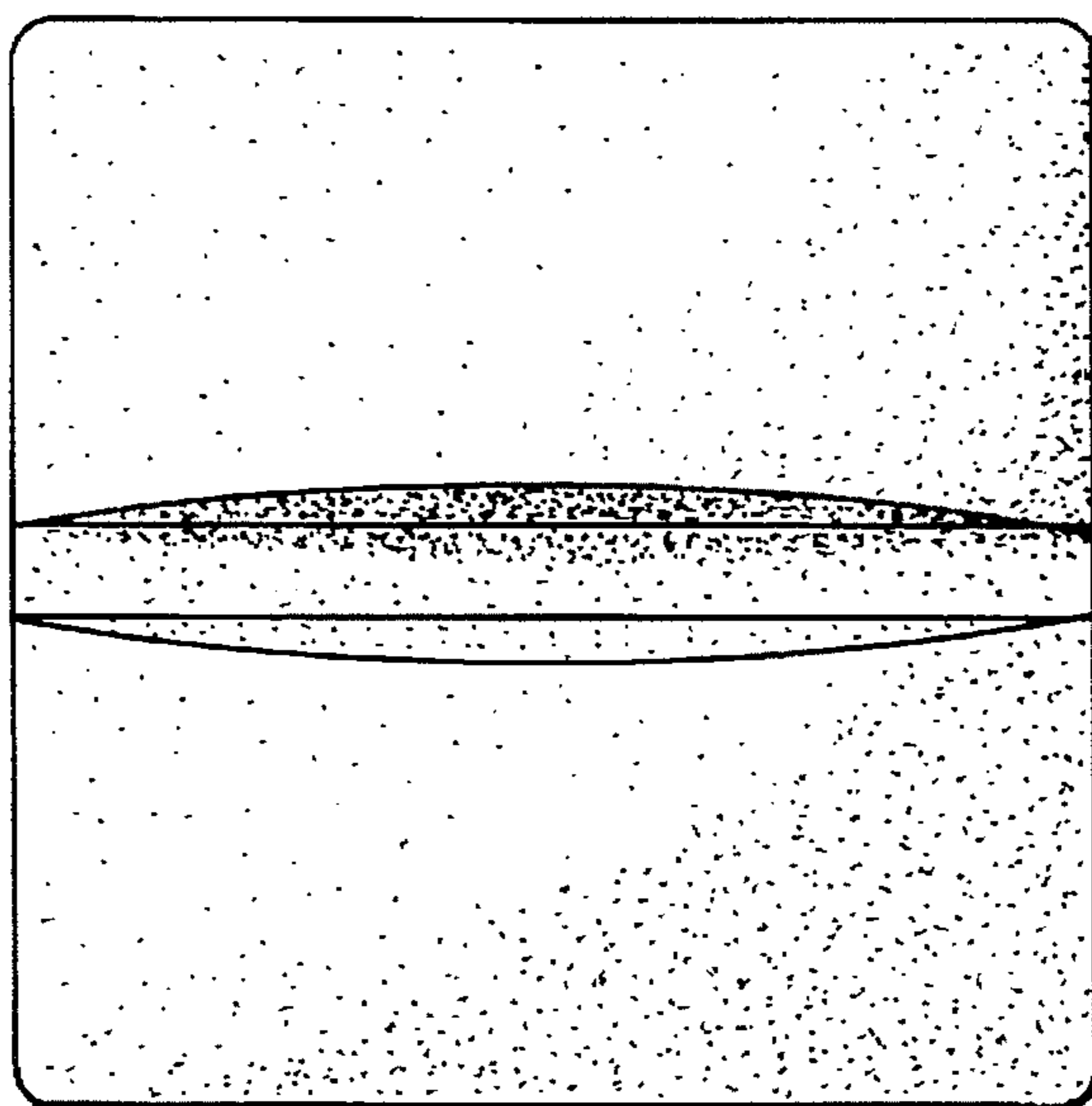


Fig. 1



Fig. 5



Fig. 3

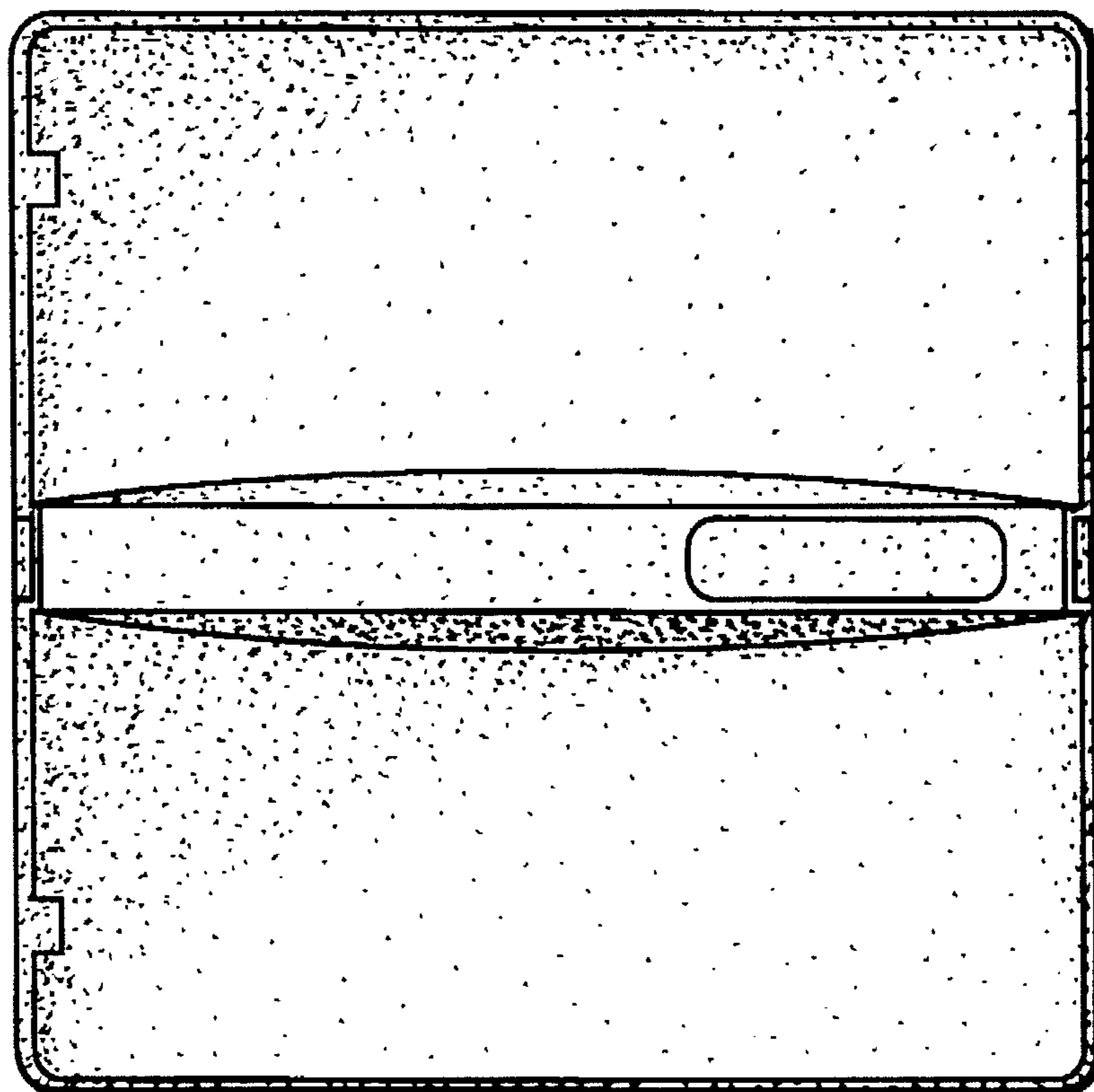


Fig. 6

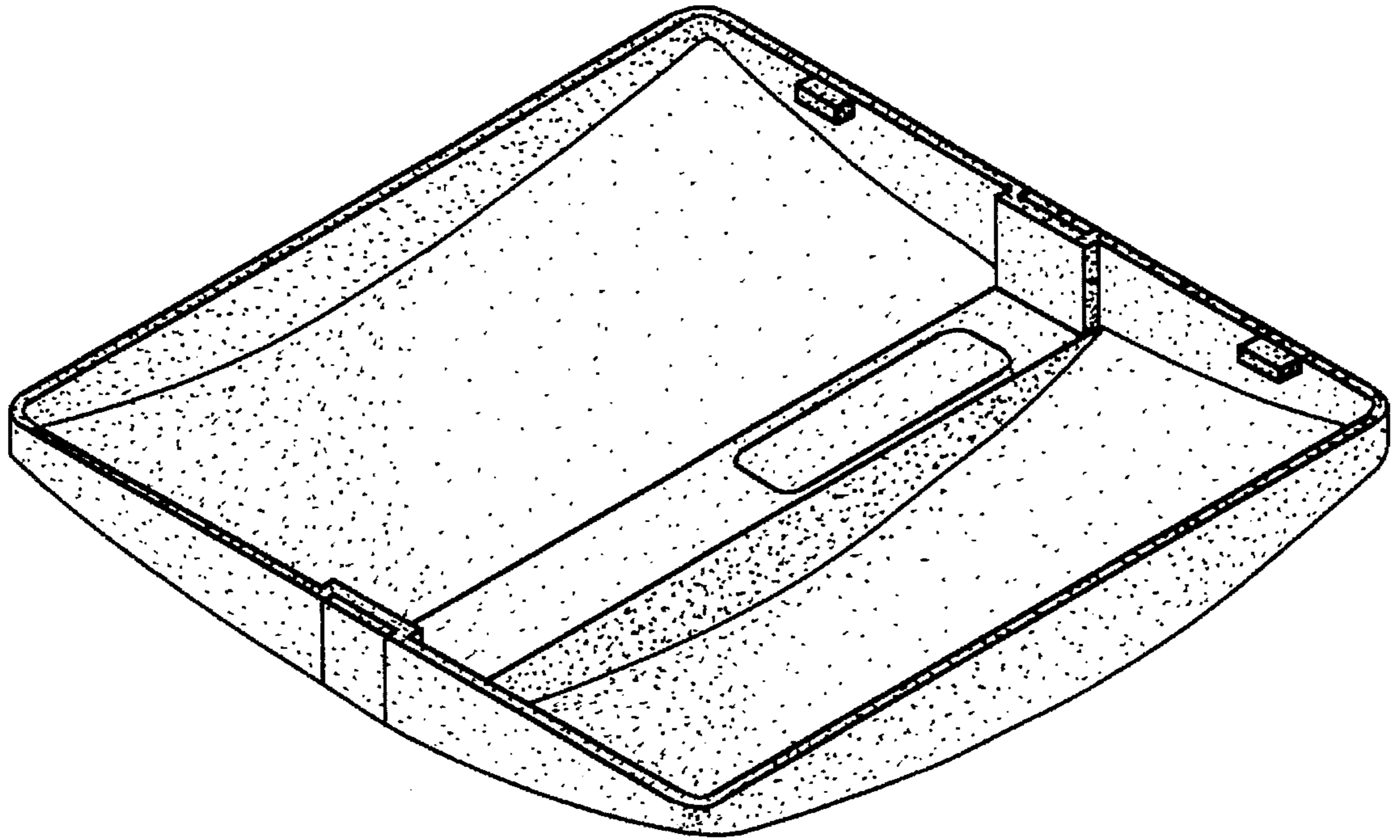


Fig. 7

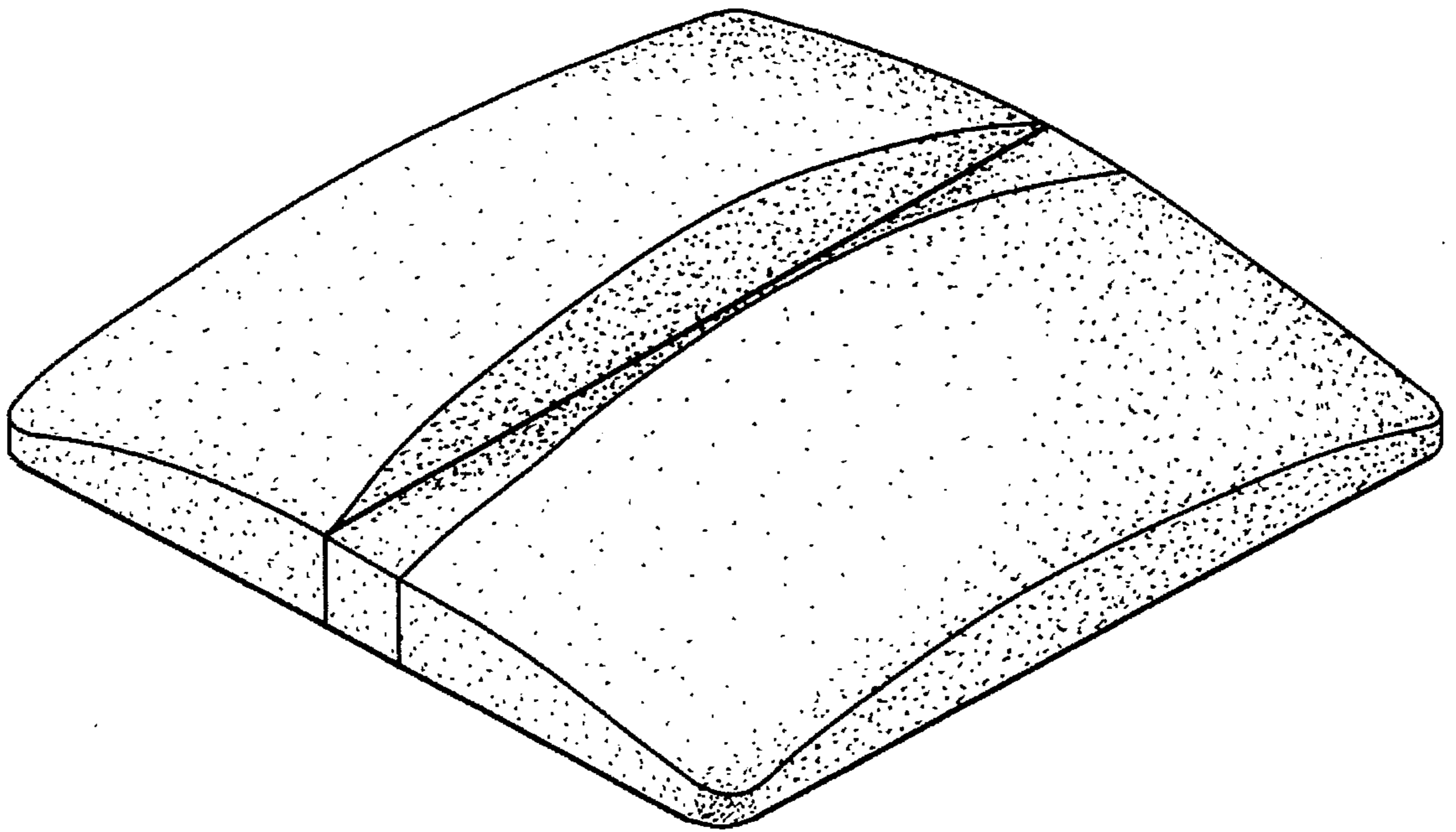


Fig. 8