



US00D379069S

United States Patent [19]

Witzig

[11] Patent Number: **Des. 379,069**

[45] Date of Patent: ****May 6, 1997**

[54] **CONTROL PANEL FOR ACTUATING A FLUSH MECHANISM**

[75] Inventor: **Ulrich Witzig**, Wolfhausen, Switzerland

[73] Assignee: **Geberit Technik AG**, Jona, Switzerland

[**] Term: **14 Years**

[21] Appl. No.: **44,946**

[22] Filed: **Oct. 4, 1995**

[30] **Foreign Application Priority Data**

Apr. 6, 1995 [XH] Hague Agreement The Hague

[51] LOC (6) Cl. **10-06**

[52] U.S. Cl. **D10/106; D23/309**

[58] Field of Search D23/303, 304, D23/233, 269, 309-313; D8/352, 353; D10/106, 104; D14/218, 114; D6/106; 4/246.1-246.3

[56] **References Cited**

U.S. PATENT DOCUMENTS

- D. 339,759 9/1993 Ho D10/106
- D. 346,567 5/1994 Rimon D10/106

- D. 352,100 11/1994 Veal D23/309
- D. 354,477 1/1995 Kawamura et al. D23/309
- D. 358,108 5/1995 Yuen D10/106
- D. 359,922 7/1995 Sandell D10/106

Primary Examiner—Doris V. Coles
Assistant Examiner—Gregory Andoll
Attorney, Agent, or Firm—McGlew and Tuttle

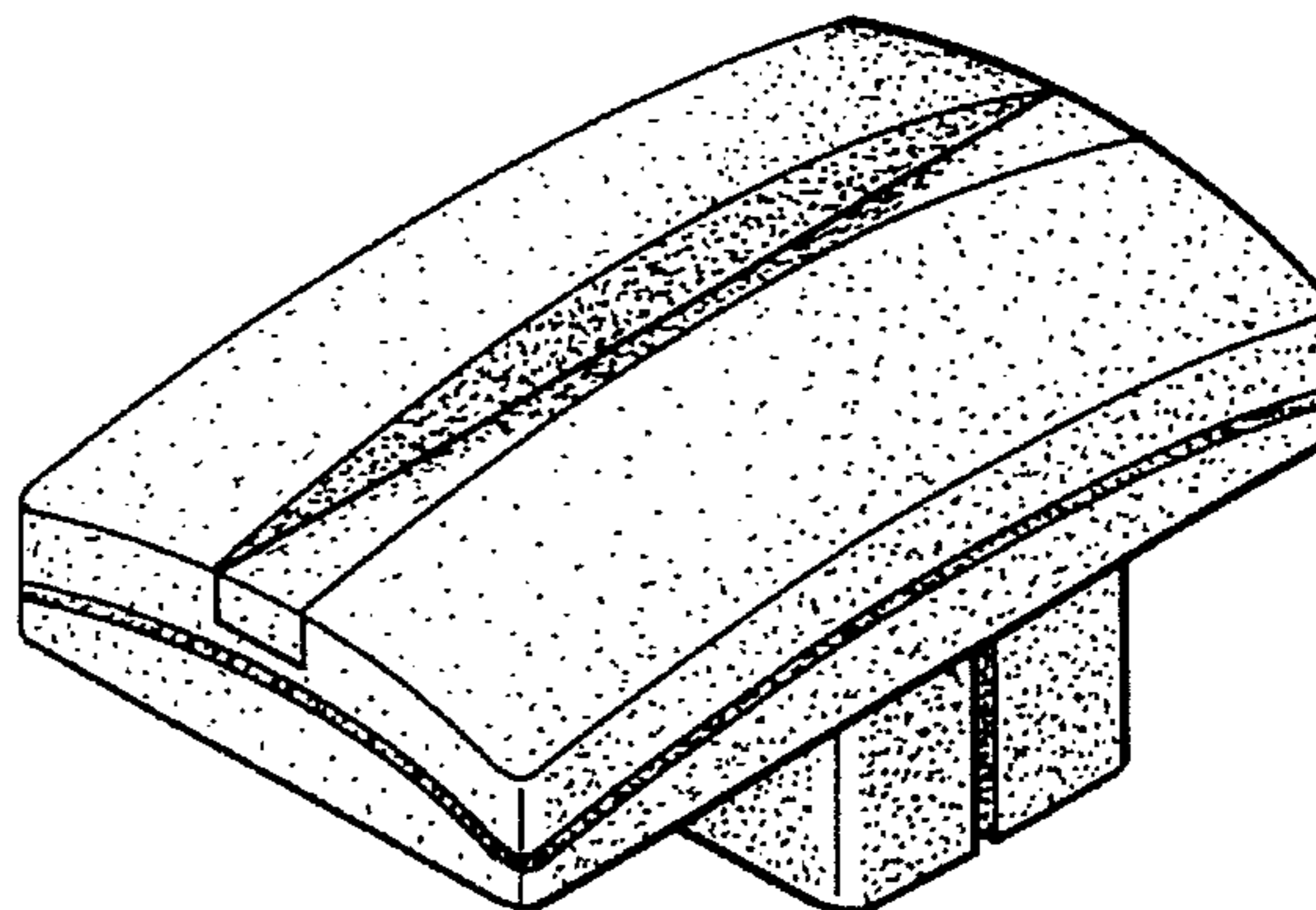
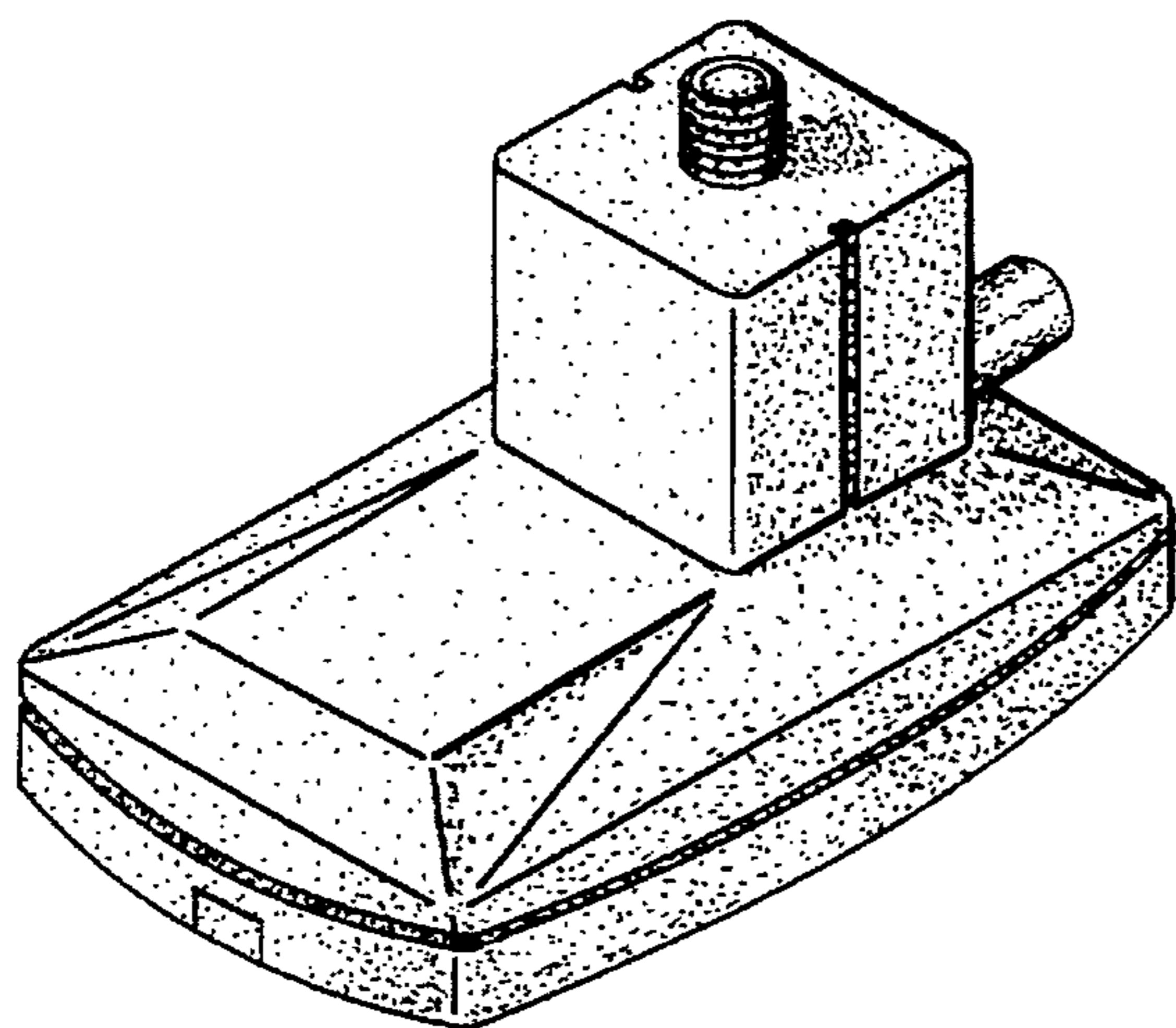
[57] **CLAIM**

The ornamental design for a control panel for actuating a flush mechanism, as shown and described.

DESCRIPTION

FIG. 1 is a front view of the control panel; FIG. 2 is a right-side view of the control panel of FIG. 1; FIG. 3 is a left-side view of the control panel of FIG. 1; FIG. 4 is a bottom view of the control panel of FIG. 1; FIG. 5 is a top view of the control panel of FIG. 1; FIG. 6 is a back view of the control panel of FIG. 1; FIG. 7 is a back perspective view of the control panel of FIG. 1; and, FIG. 8 is a front perspective view of the control panel of FIG. 1.

1 Claim, 2 Drawing Sheets



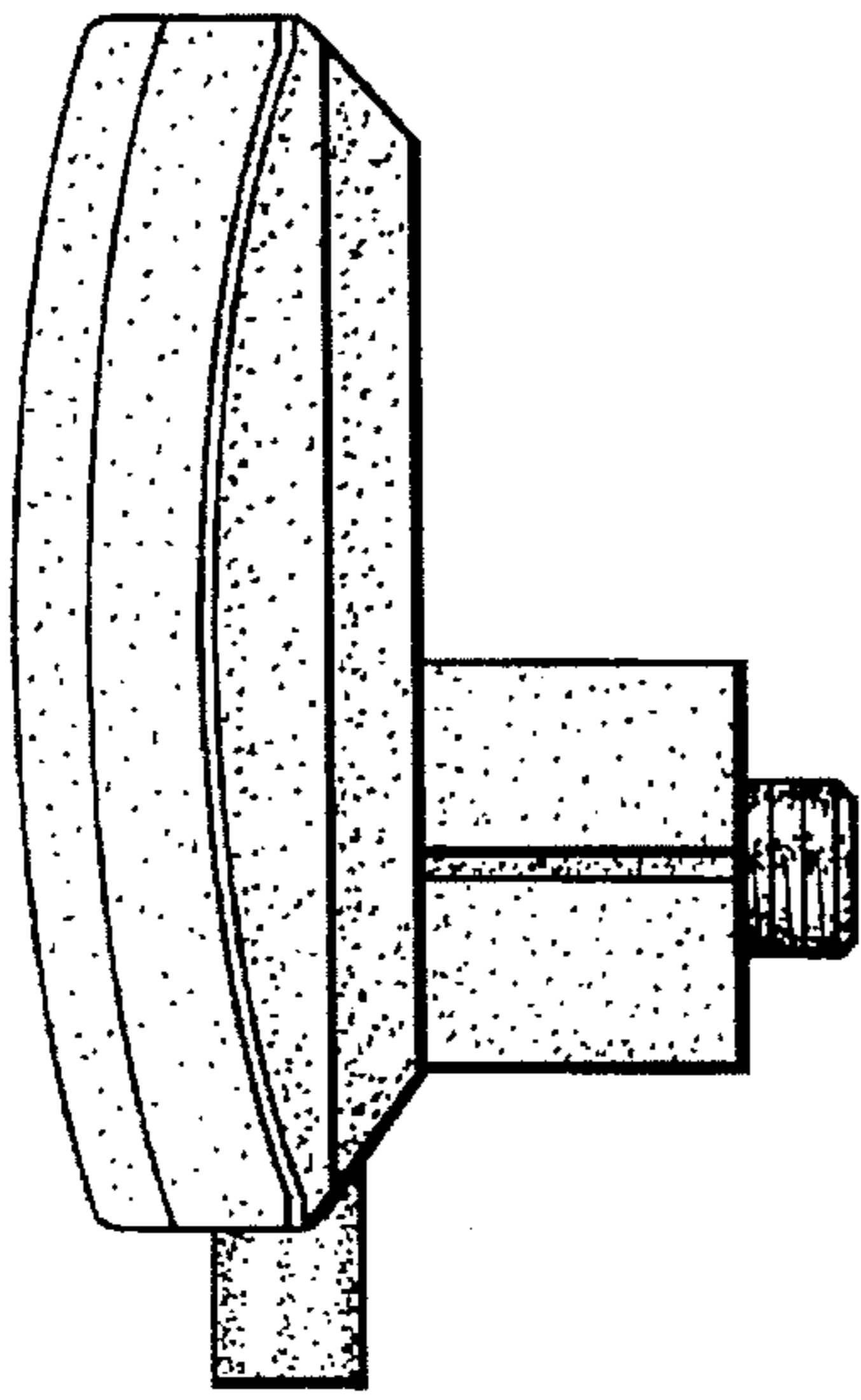


Fig. 2

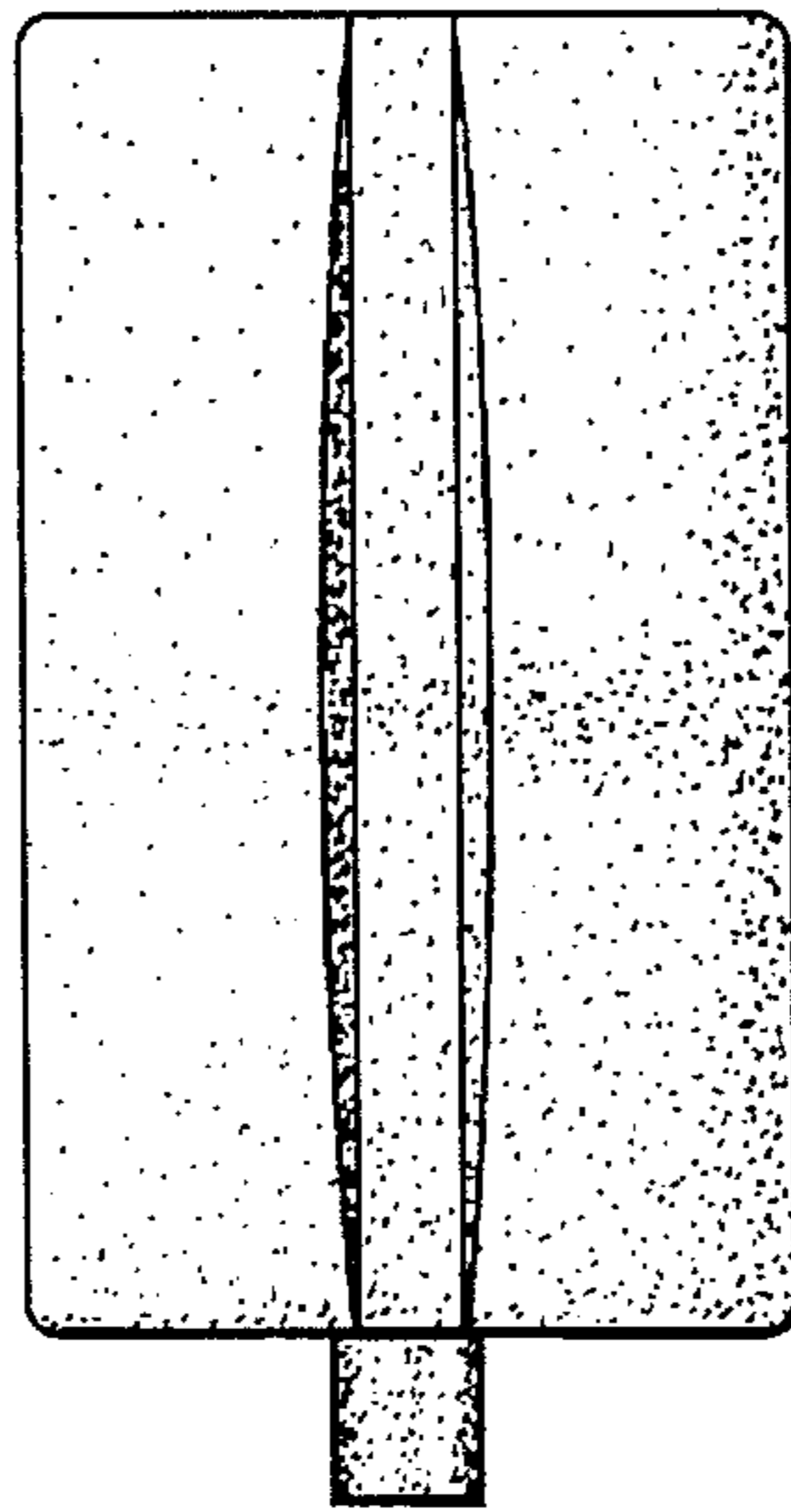


Fig. 1

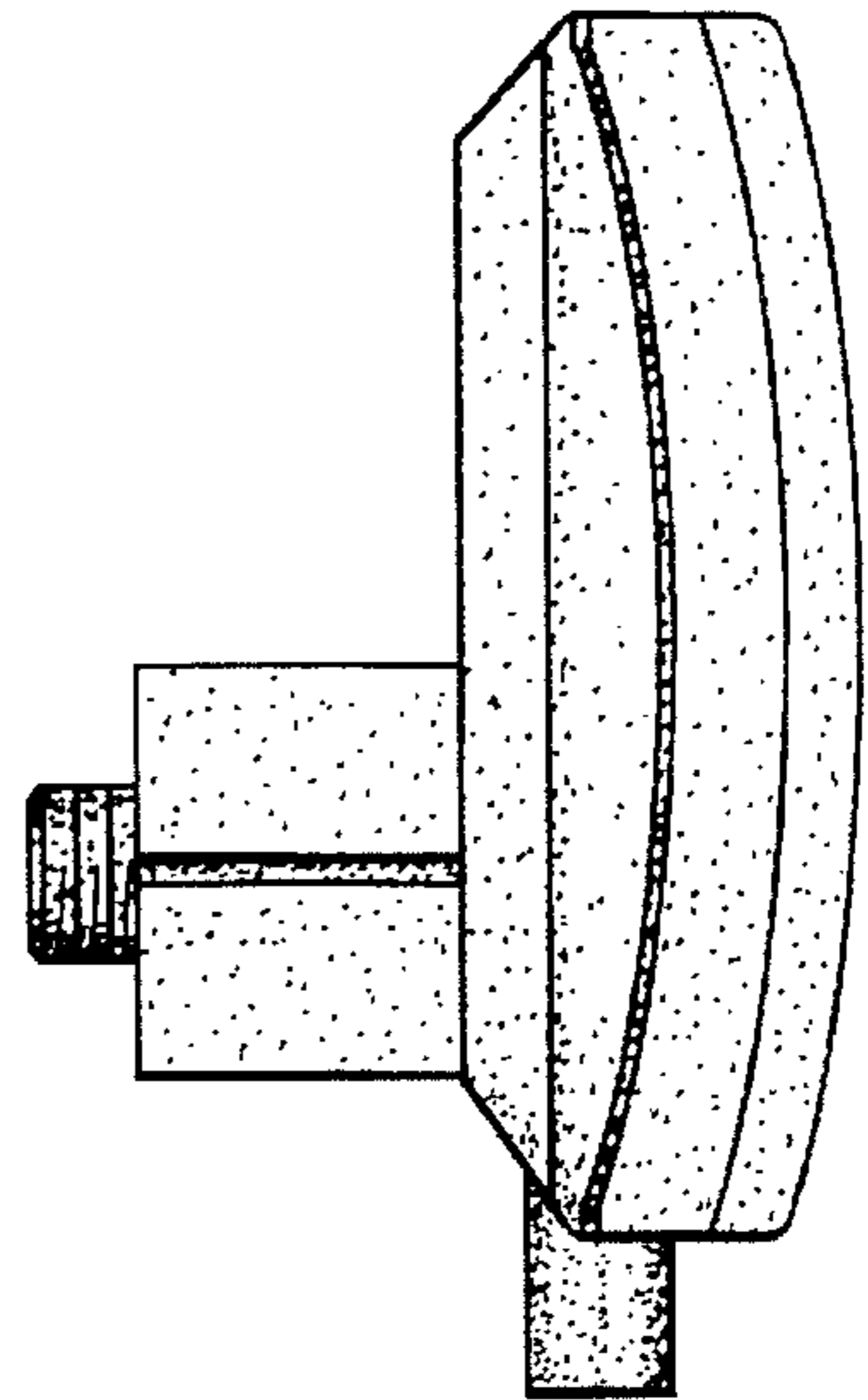


Fig. 3

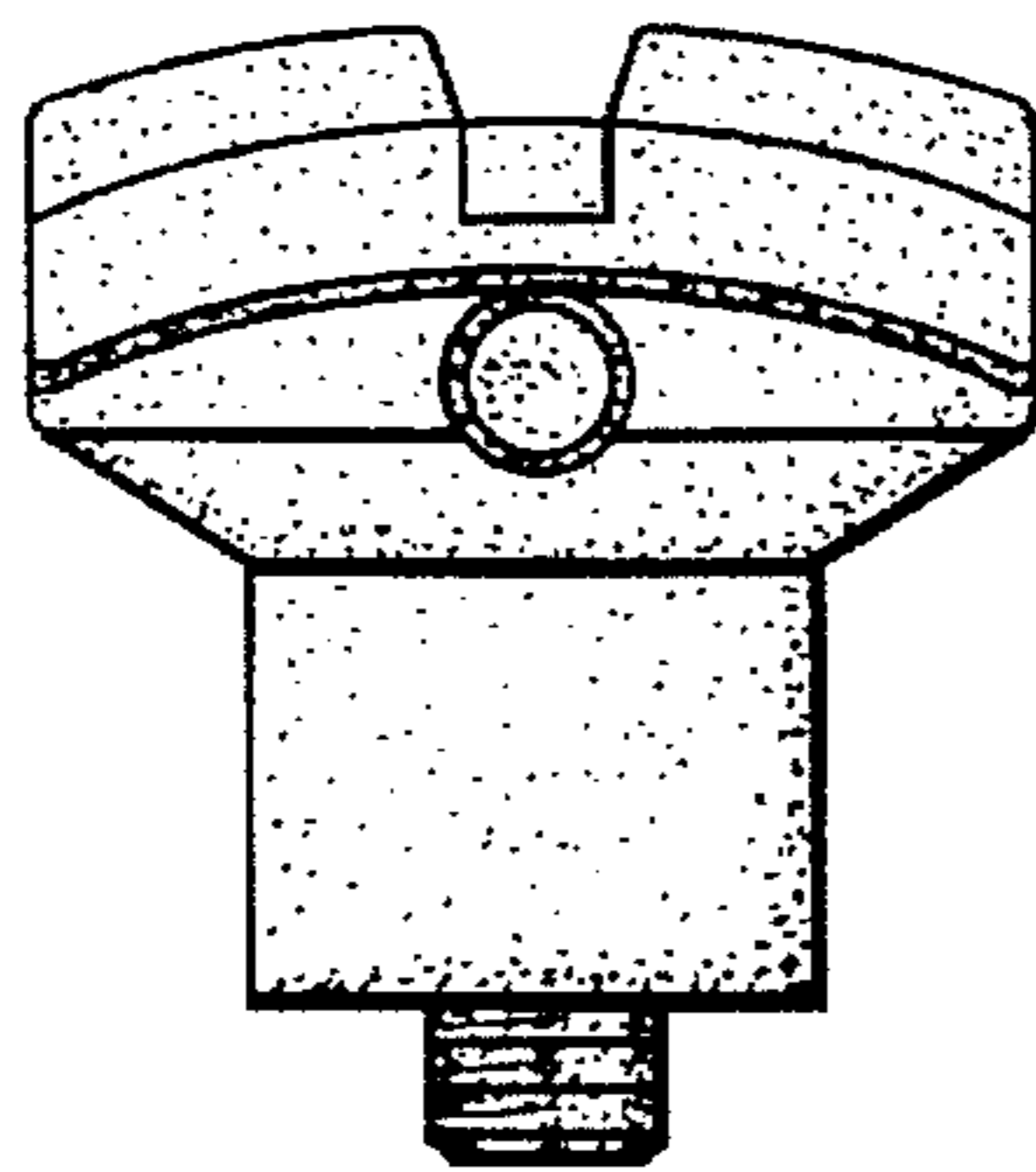


Fig. 4

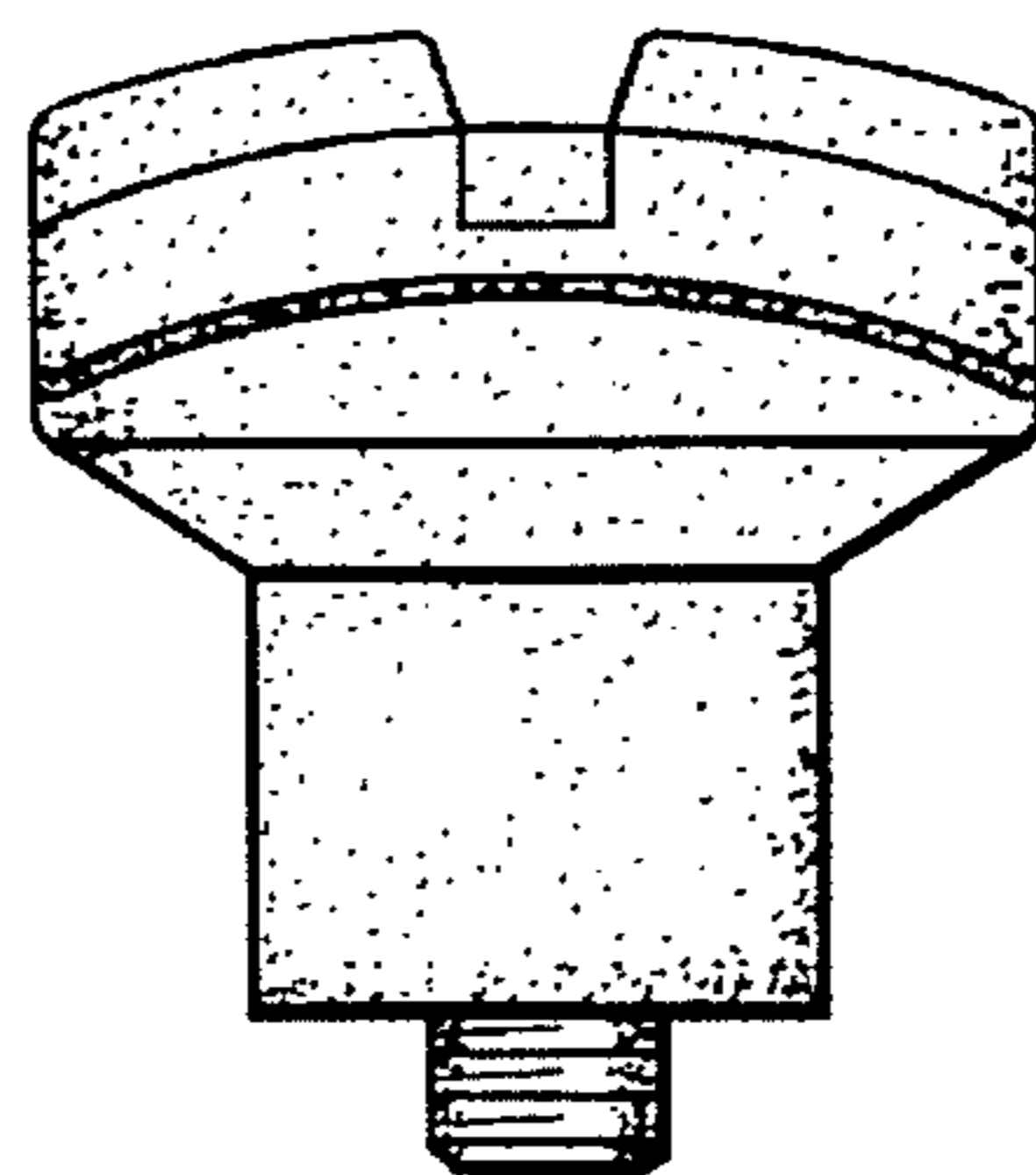


Fig. 5

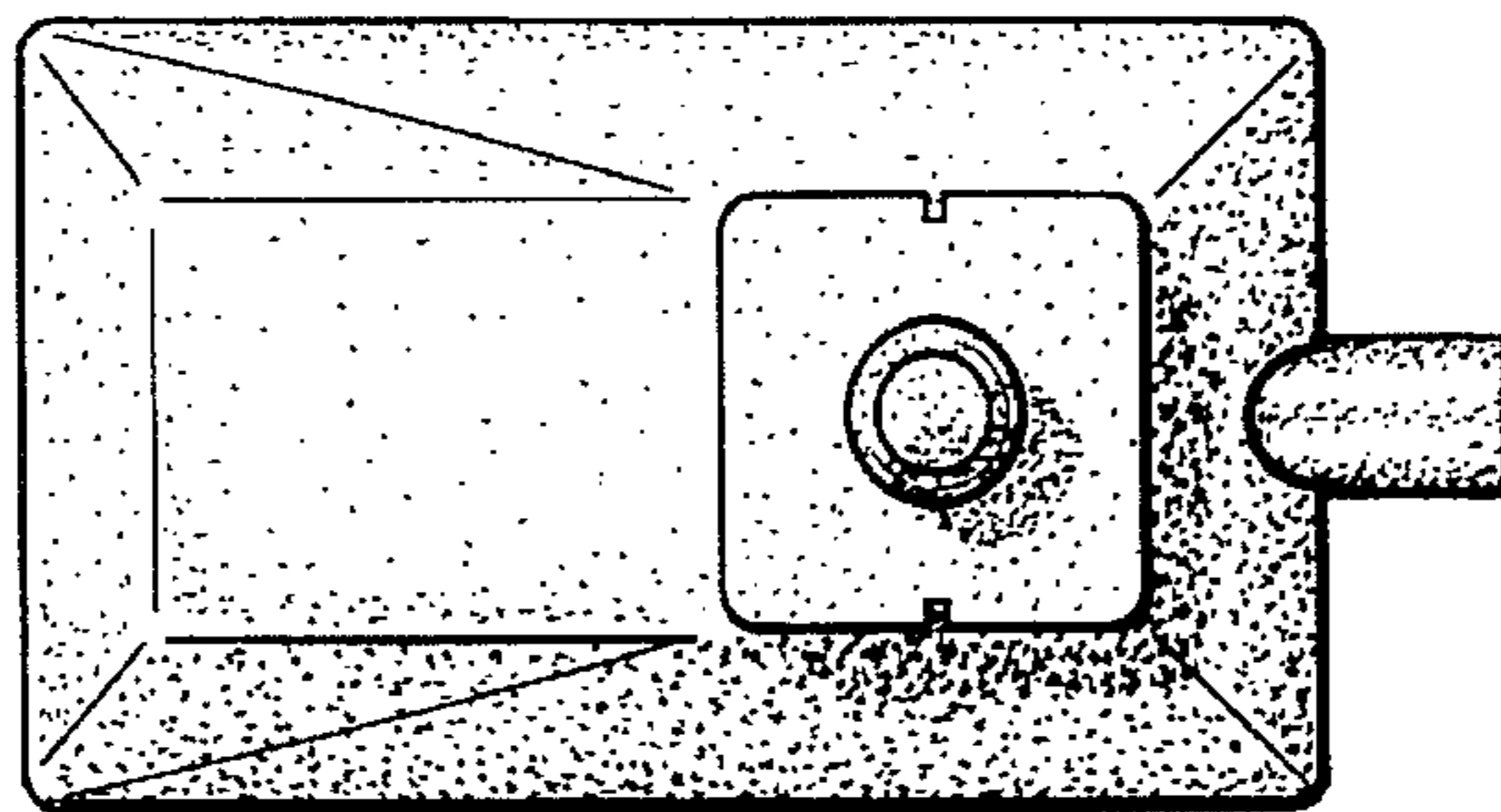


Fig. 6

Fig. 7

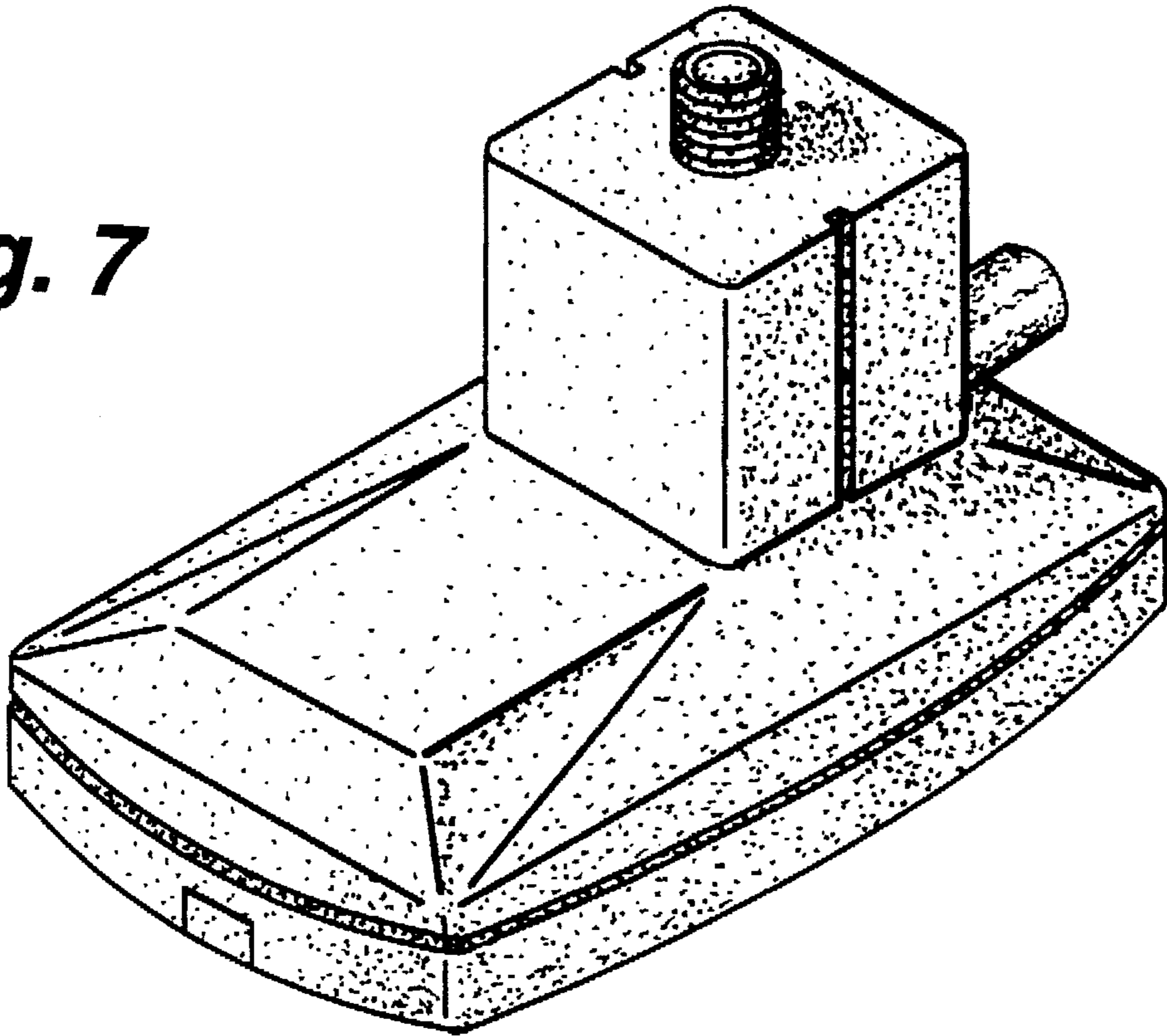


Fig. 8

