

US00D379068S

United States Patent [19]

Cleroux, Sr. et al.

[11] Patent Number: **Des. 379,068**

[45] Date of Patent: ****May 6, 1997**

[54] **CRIBBAGE GAME BOARD AND POINT COUNTER**

[76] Inventors: **Roger E. Cleroux, Sr.; Roger R. Cleroux, Jr.; Denis J. Cleroux; Joanne M. Cleroux**, all of 2520 Barton Street E., Hamilton, Ontario, Canada, L8H 1G5

[**] Term: **14 Years**

[21] Appl. No.: **53,937**

[22] Filed: **May 2, 1996**

[51] LOC (6) Cl. **21-01**

[52] U.S. Cl. **D10/46.1**

[58] Field of Search D10/46.1, 103; 116/222-225; 235/90; 273/281, 287, 176 L

[56] **References Cited**

U.S. PATENT DOCUMENTS

D. 238,383 1/1976 Birchall D10/46.1

D. 239,400	3/1976	Collins	D10/46.1 X
2,440,415	4/1948	Piper	116/223 X
3,198,521	8/1965	Kramer et al.	116/223 X
5,265,878	11/1993	Kim	273/271 X
5,338,041	8/1994	Jones et al.	273/287 X

Primary Examiner—Prabhakar G. Deshmukh

[57] **CLAIM**

The ornamental design for a cribbage game board and point counter, as shown and described.

DESCRIPTION

FIG. 1 is a front elevational view of a cribbage game board and point counter showing our new design;

FIG. 2 is a rear elevational view thereof;

FIG. 3 is a left side elevational view thereof; the right side elevational view being a mirror image thereof; and,

FIG. 4 is a perspective view thereof.

1 Claim, 3 Drawing Sheets

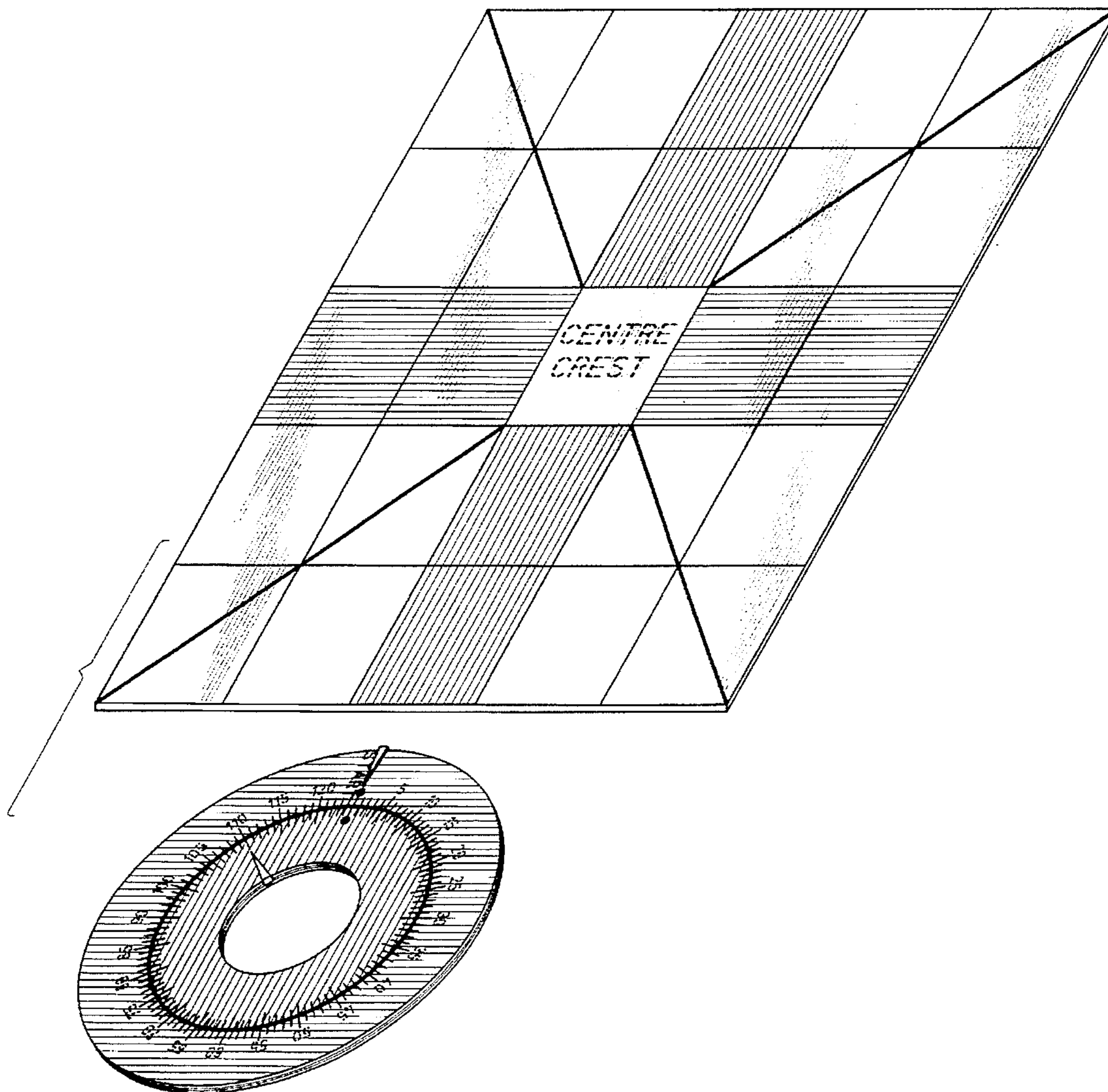


FIG. 1

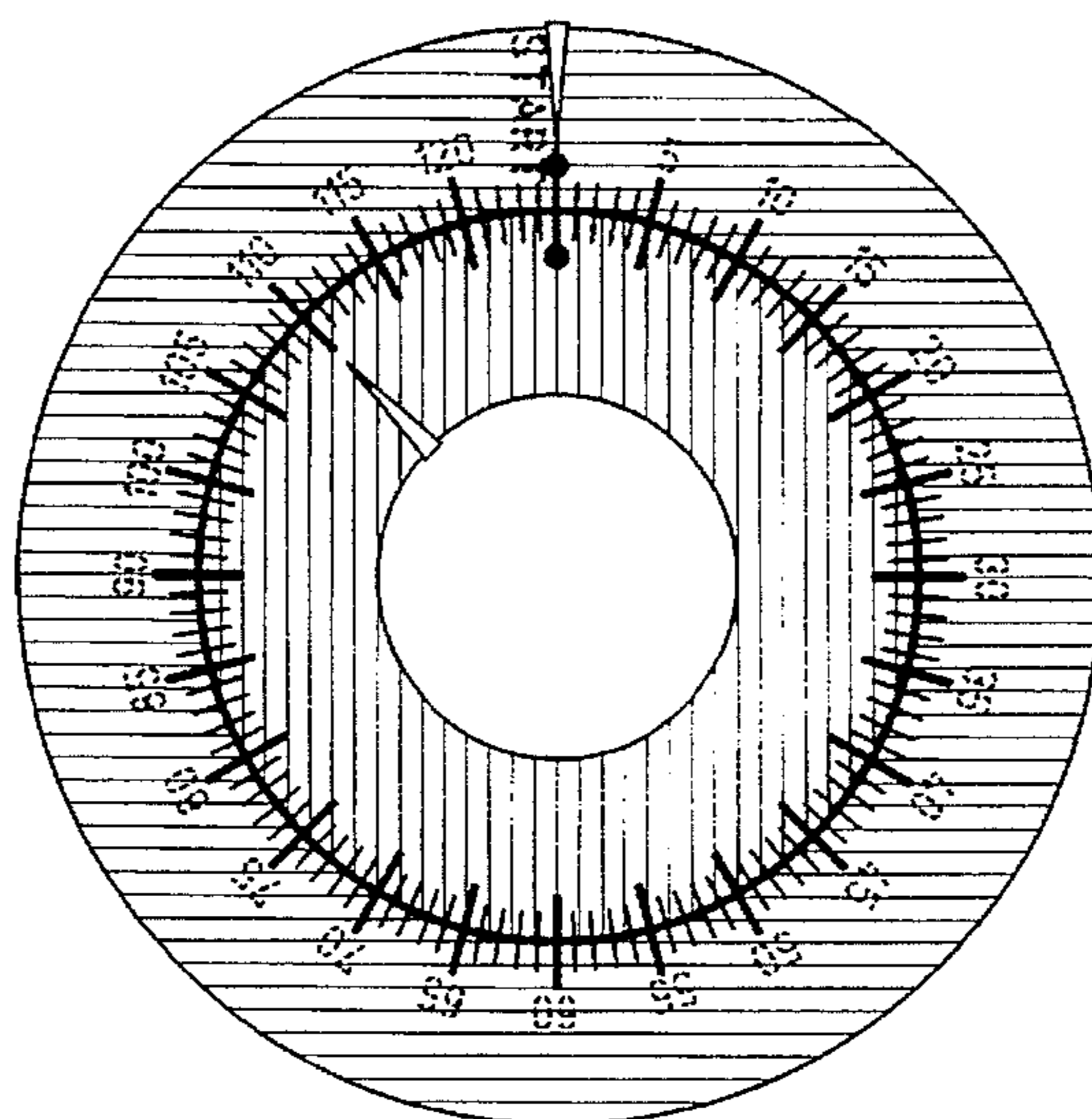
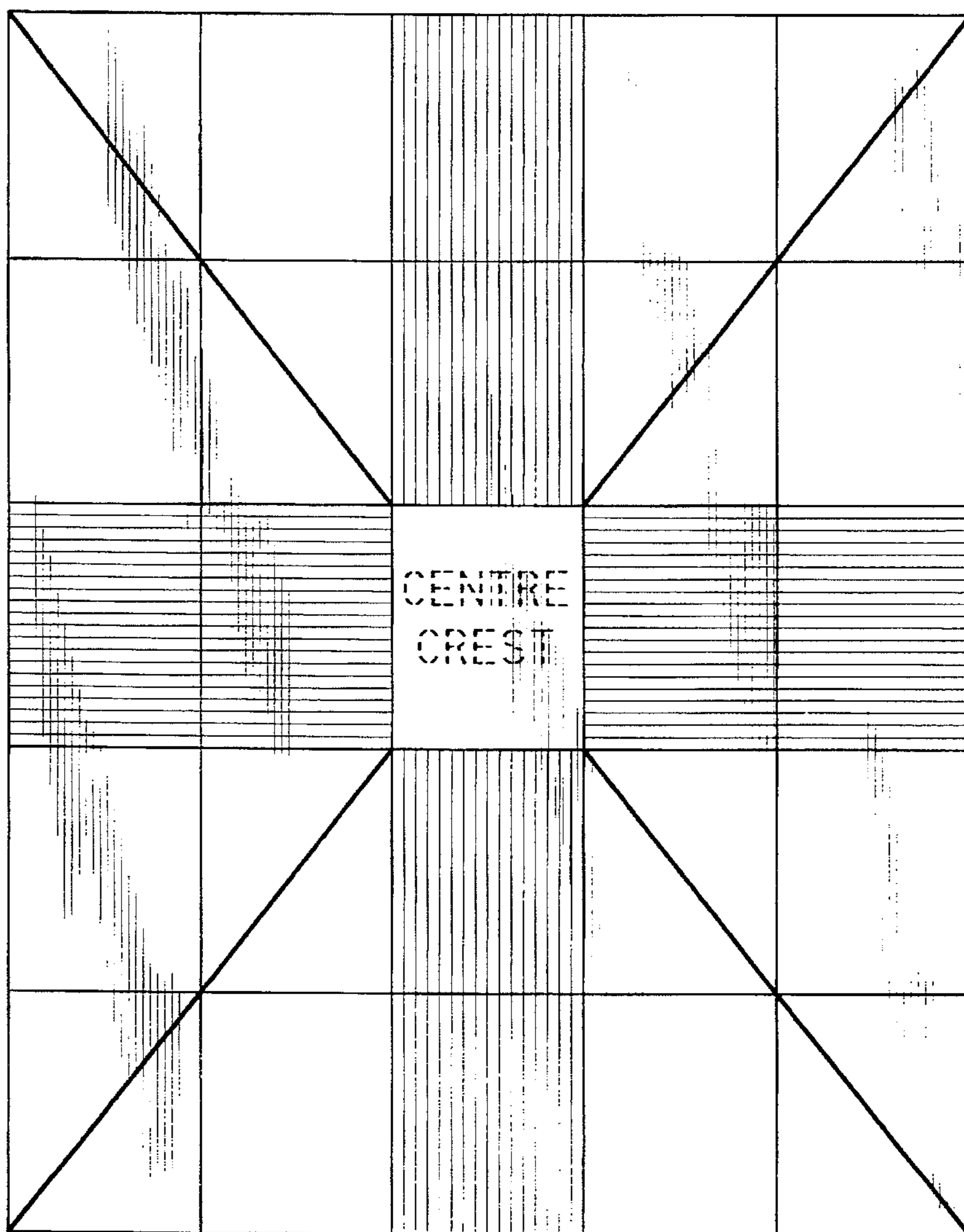


FIG. 2

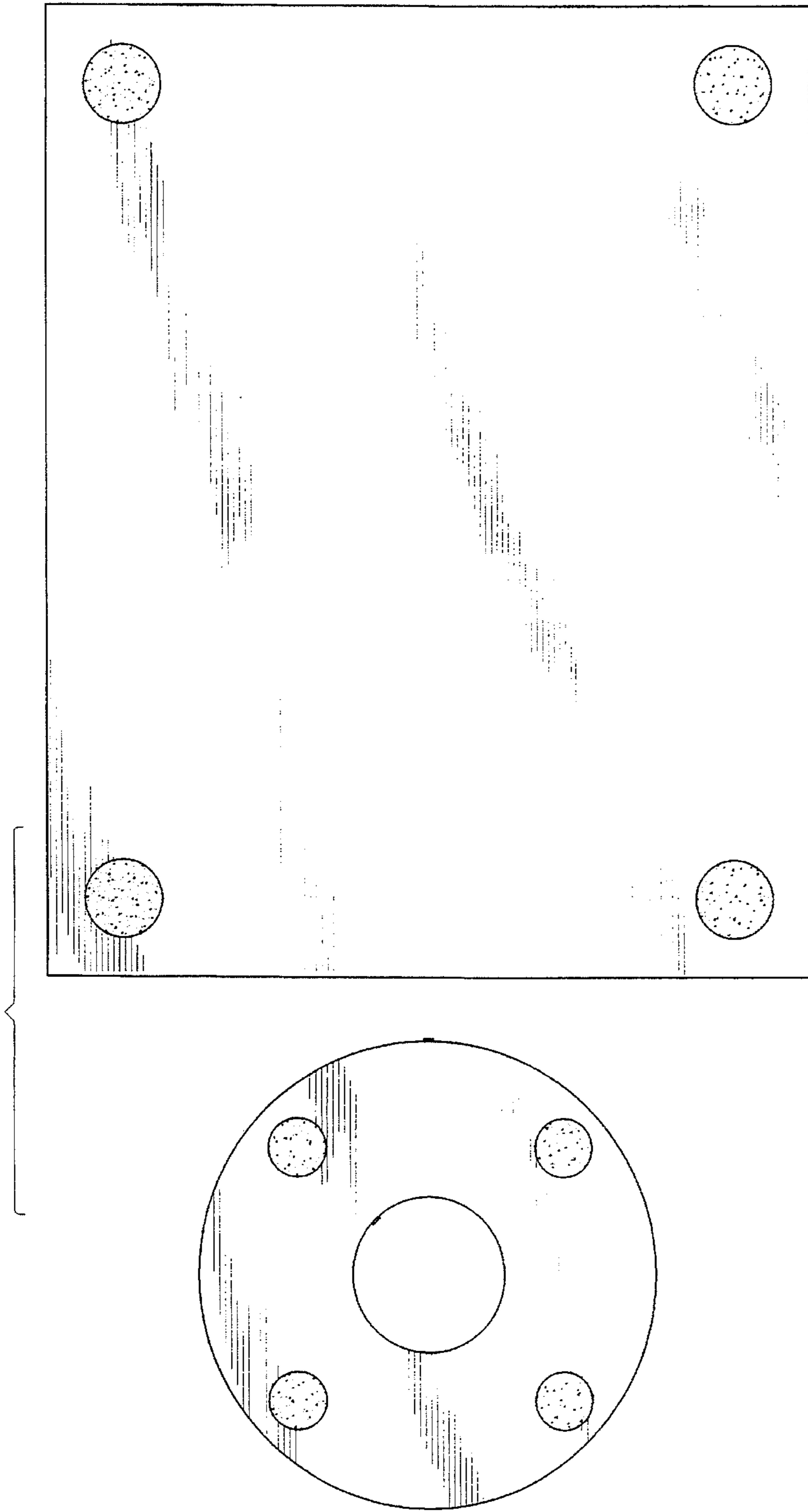


FIG. 3

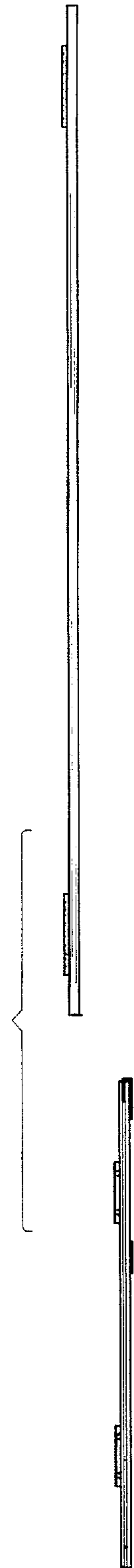


FIG. 4

