



US00D379067S

United States Patent [19]

[11] Patent Number: **Des. 379,067**

Greene et al.

[45] Date of Patent: ****May 6, 1997**

[54] WATCH WITH MEANS FOR DISPLAYING VITAL INFORMATION ABOUT A WEARER

OTHER PUBLICATIONS

[76] Inventors: **Andre Greene; Sharon Greene**, both of 790 Eldert La. Apt. 5J, Brooklyn, N.Y. 11208

Jeweler's Circular-Keystone-May 1986-p. 69-Watch at bottom-center.

[**] Term: **14 Years**

Primary Examiner-Nelson C. Holtje

[21] Appl. No.: **51,642**

[57] CLAIM

[22] Filed: **Mar. 14, 1996**

The ornamental design for a watch with means for displaying vital information about a wearer, as shown and described.

[51] LOC (6) Cl. **10-02**

DESCRIPTION

[52] U.S. Cl. **D10/32; D10/30; D10/31**

[58] Field of Search D10/1-40, 122-132; 368/276-277, 280-282, 285; D11/3-4, 12, 14, 19-25; 63/1.1, 3, 5.1, 11

FIG. 1 is a front elevational view of the watch with means for displaying vital information about a wearer showing our new design;

FIG. 2 is a rear elevational view thereof;

FIG. 3 is a right view thereof;

FIG. 4 is a left view thereof;

FIG. 5 is a top plan view thereof; and,

FIG. 6 is a bottom plan view thereof.

The broken line showing of indicia in FIG. 1 is for illustrative purposes only and forms no part of the claimed design.

[56] References Cited

U.S. PATENT DOCUMENTS

D. 316,228	4/1991	Frommherz	D10/30
D. 349,653	8/1994	Giardiello	D10/30
D. 361,277	8/1995	Riley	D10/30
D. 362,631	9/1995	Riley	D10/30
4,364,669	12/1982	Thoenig	368/111

1 Claim, 3 Drawing Sheets

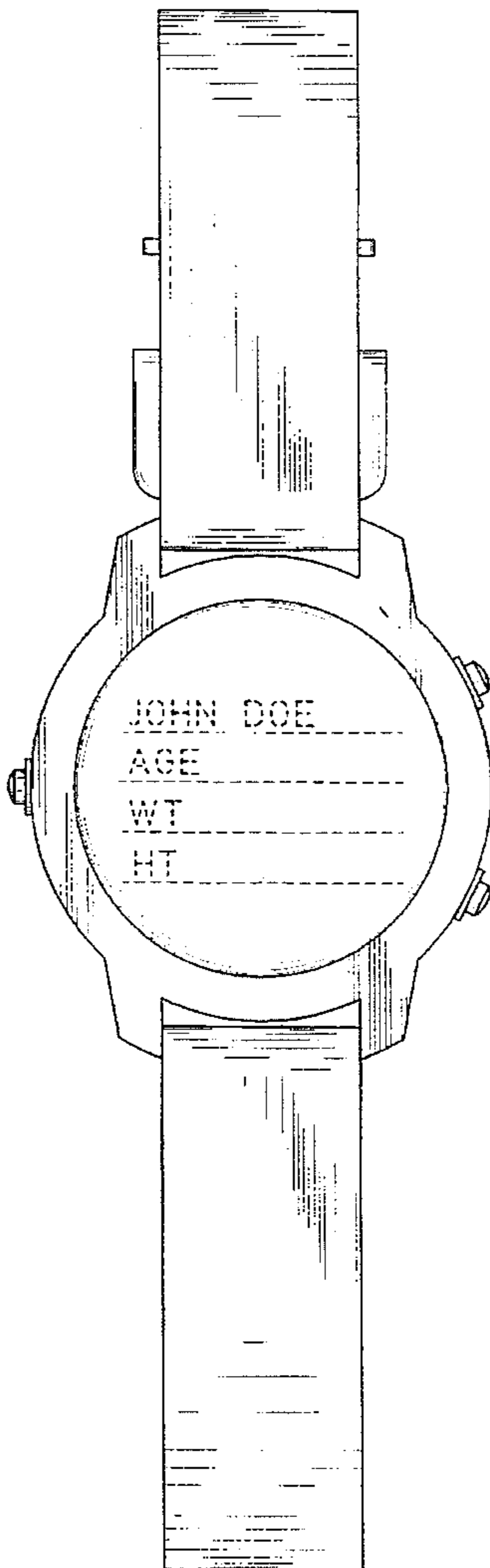


FIG. 1

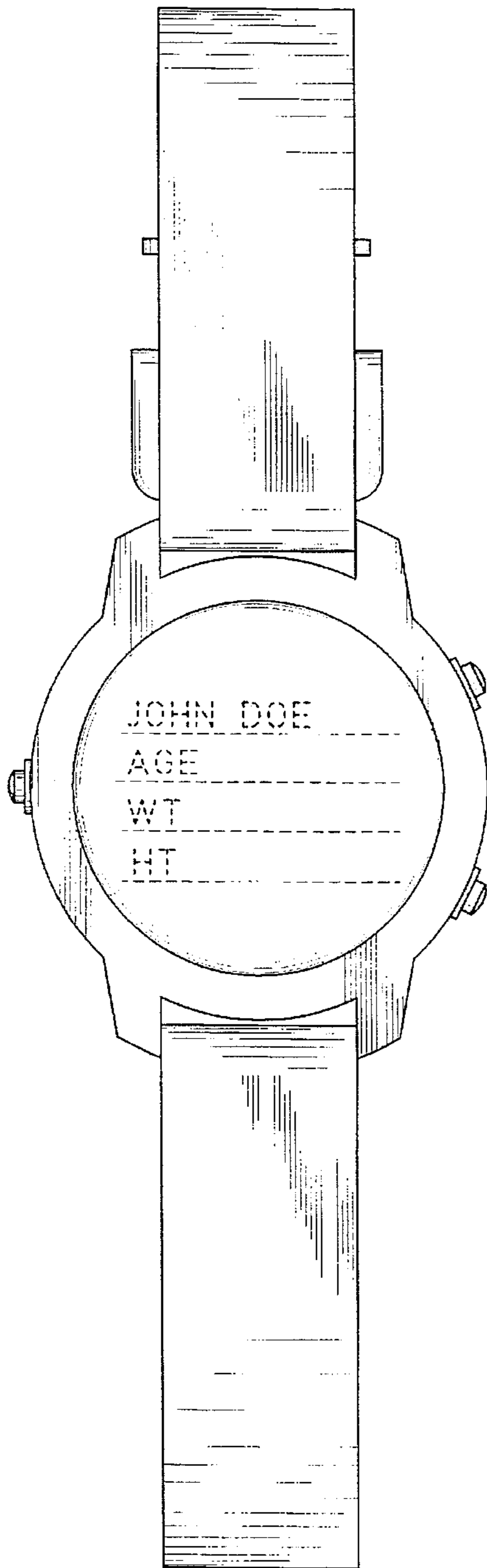


FIG. 2

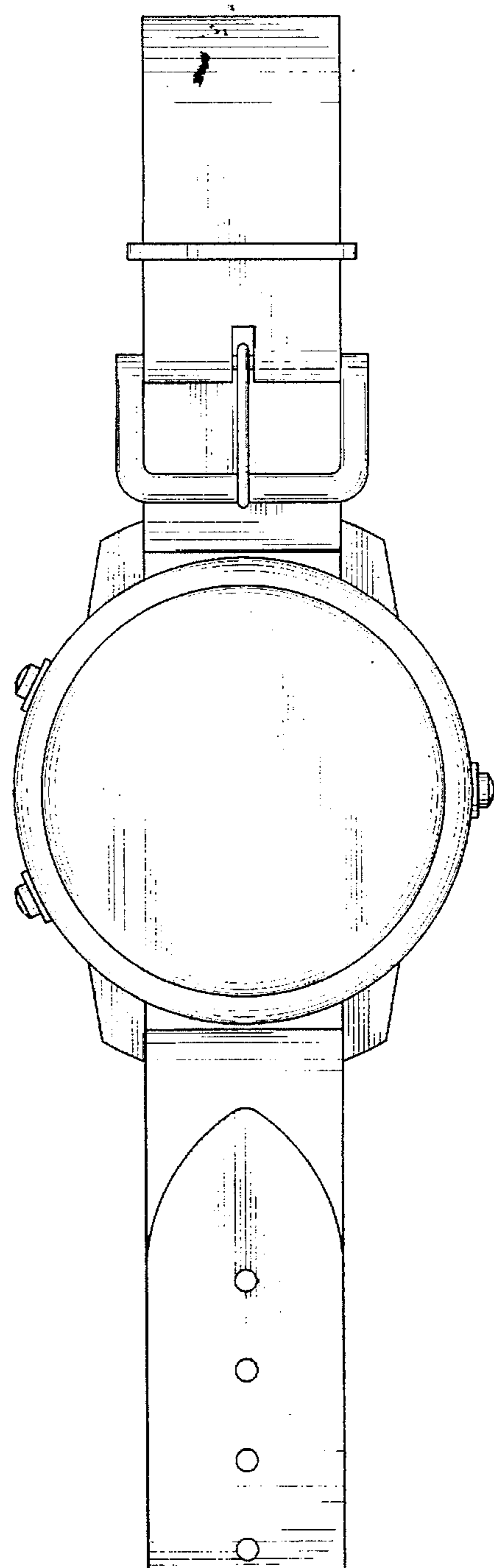


FIG. 3

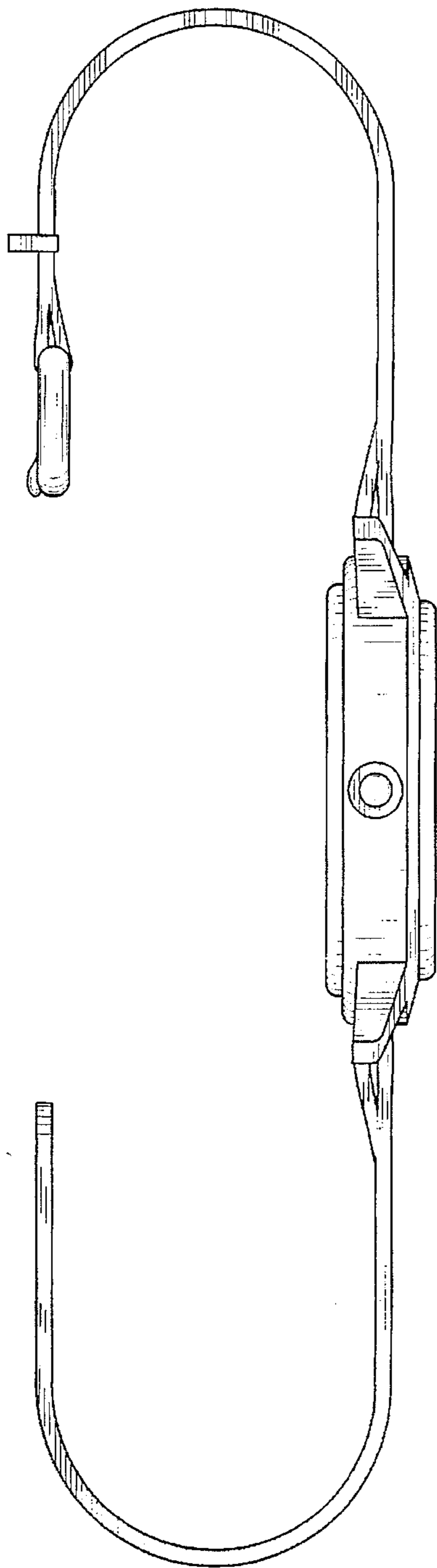


FIG. 4

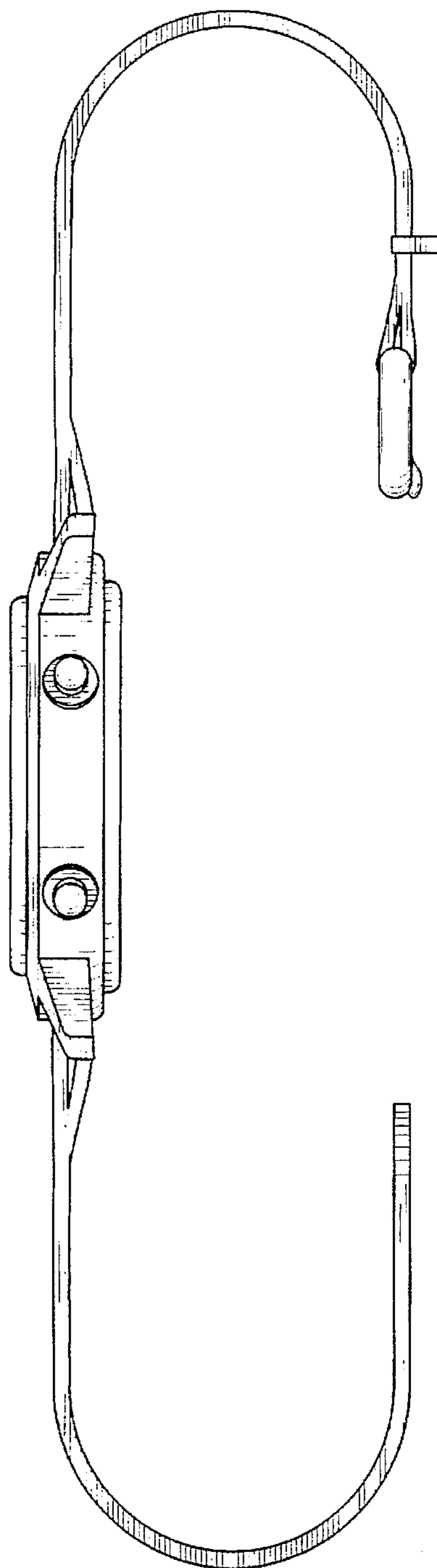


FIG. 5

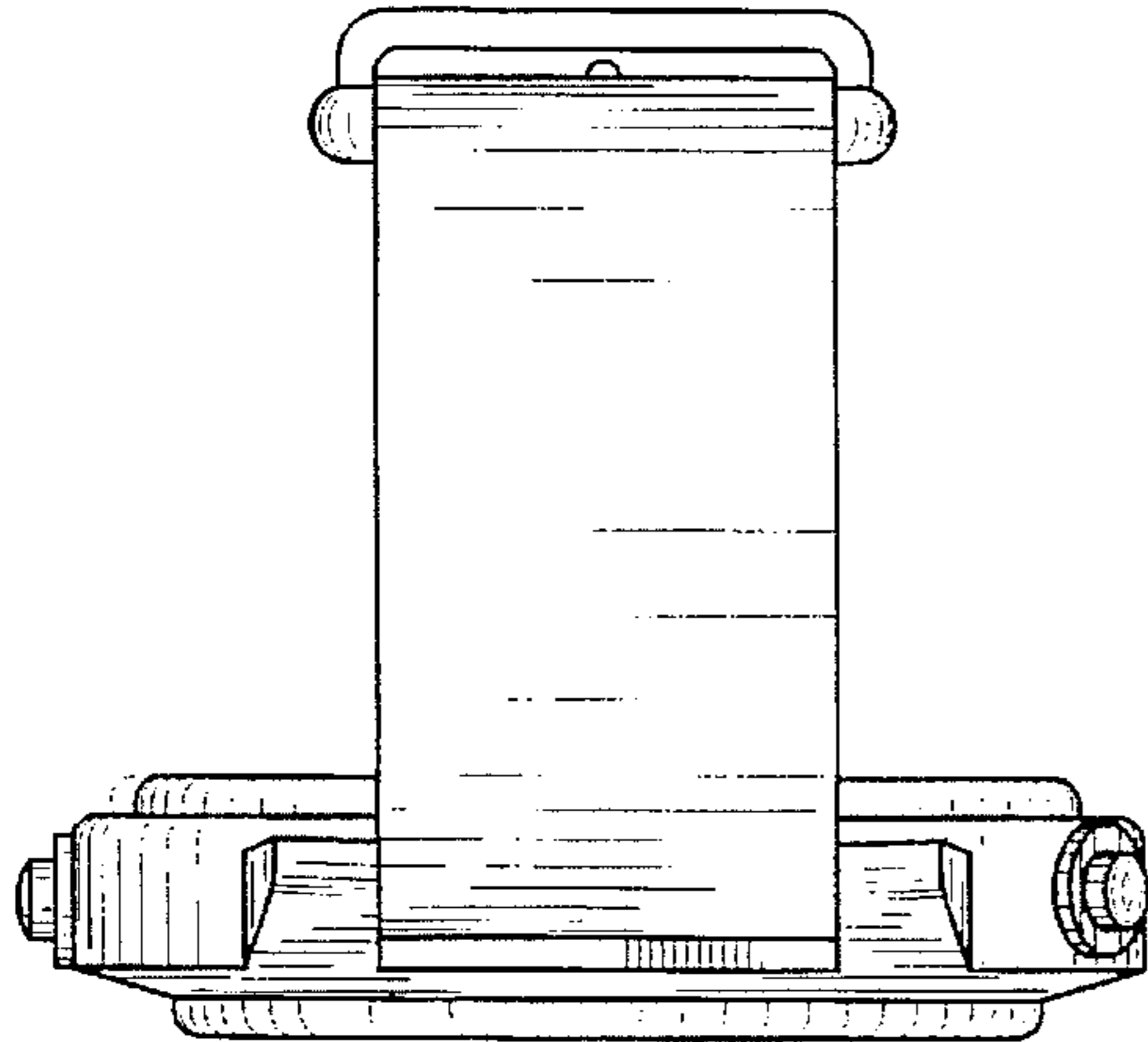


FIG. 6

