



US00D379060S

United States Patent [19]

Laga

[11] **Patent Number:** **Des. 379,060**

[45] **Date of Patent:** ****May 6, 1997**

[54] **BETWEEN THE STUDS GRIP CLIPS**

2,707,052	4/1955	Brown	211/89 X
2,708,523	5/1955	Rozanski	211/89
3,946,877	3/1976	Gálicia	211/89 X

[75] Inventor: **Kenneth Laga**, Franklin, Mass.

[73] Assignee: **American Manufacturing Company, Inc.**, Allentown, Pa.

Primary Examiner—Holly H. Baynham
Attorney, Agent, or Firm—Samuels, Gauthier, Stevens & Reppert

[**] Term: **14 Years**

[57] **CLAIM**

[21] Appl. No.: **51,222**

The ornamental design for between the studs grip clips, as shown and described.

[22] Filed: **Mar. 6, 1996**

DESCRIPTION

[51] **LOC (6) Cl.** **08-05**

[52] **U.S. Cl.** **D8/373**

[58] **Field of Search** D8/373, 395; D6/572, D6/553, 571; 211/89, 113; 248/68.1, 74.1-74.4

FIG. 1 is a perspective view of a between the studs grip clips;

FIG. 2 is a top plan view, the broken lines showing a pair of studs are for illustrative purposes only and form no part of the claimed invention;

FIG. 3 is a front view;

FIG. 4 is a back view; and,

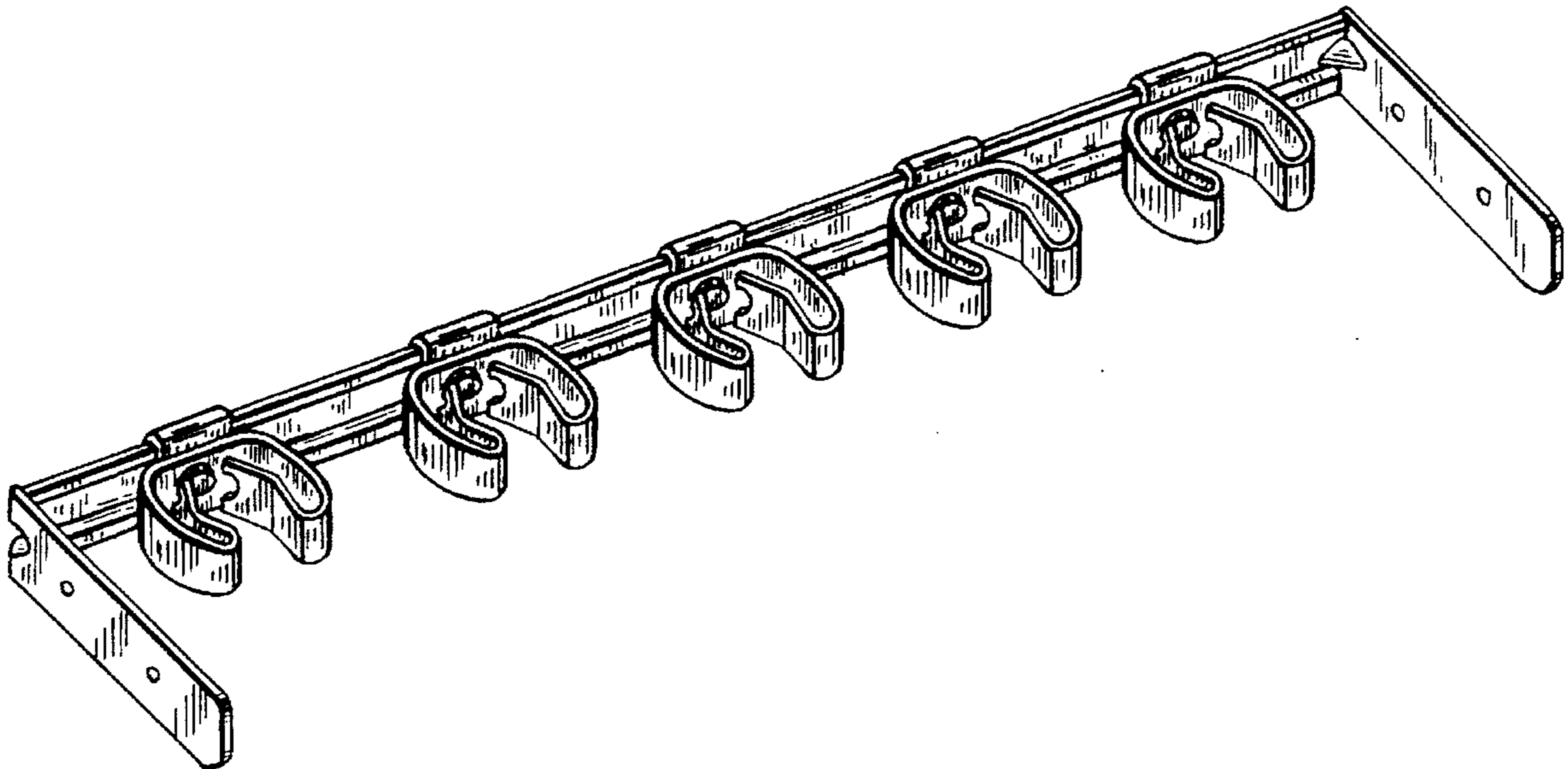
FIG. 5 is a left side view, the right side being identical.

[56] **References Cited**

U.S. PATENT DOCUMENTS

D. 175,455	8/1955	Bartleman	D6/572
2,569,021	9/1951	Rozanski	211/89 X
2,591,041	4/1952	Borg	211/89 X

1 Claim, 2 Drawing Sheets



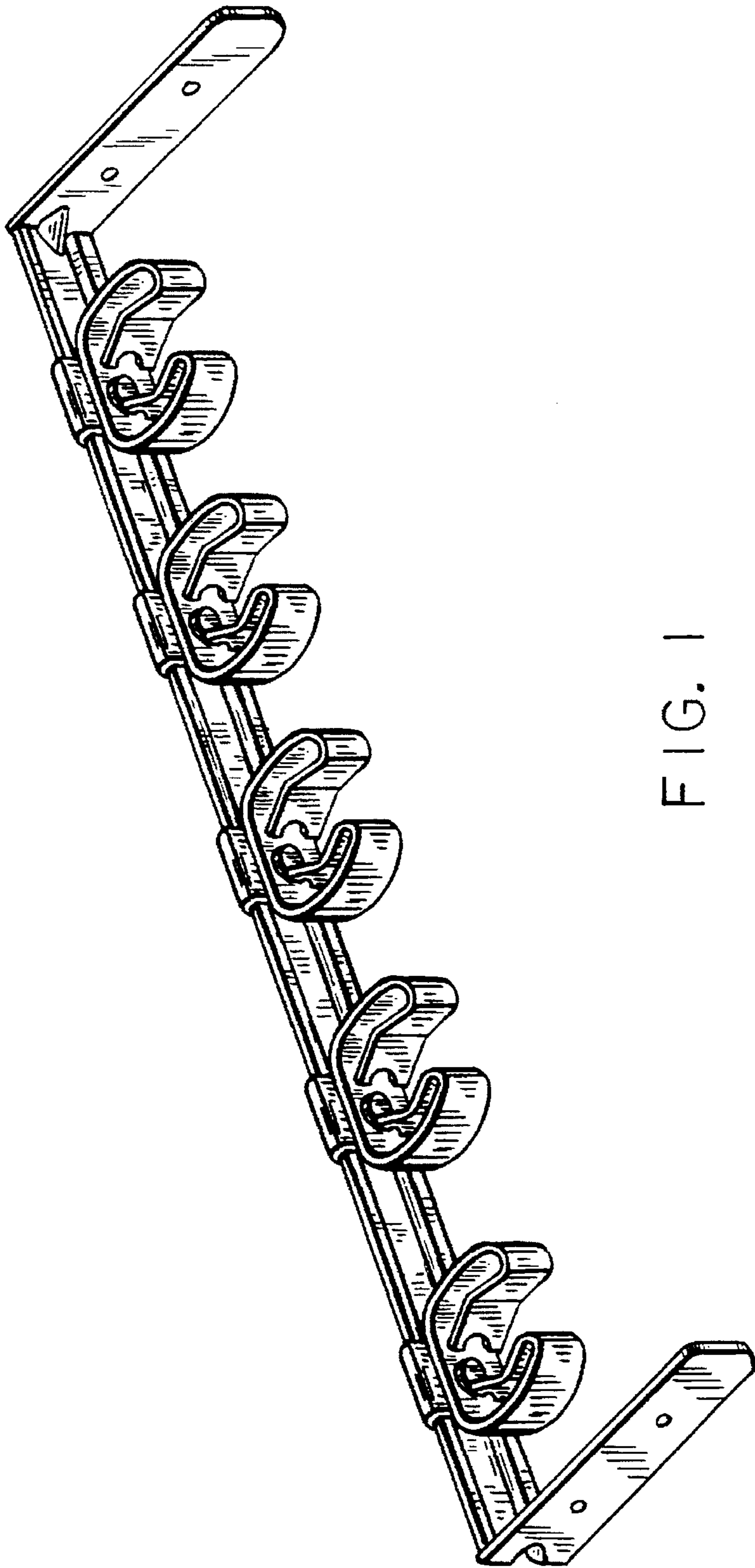


FIG. 1

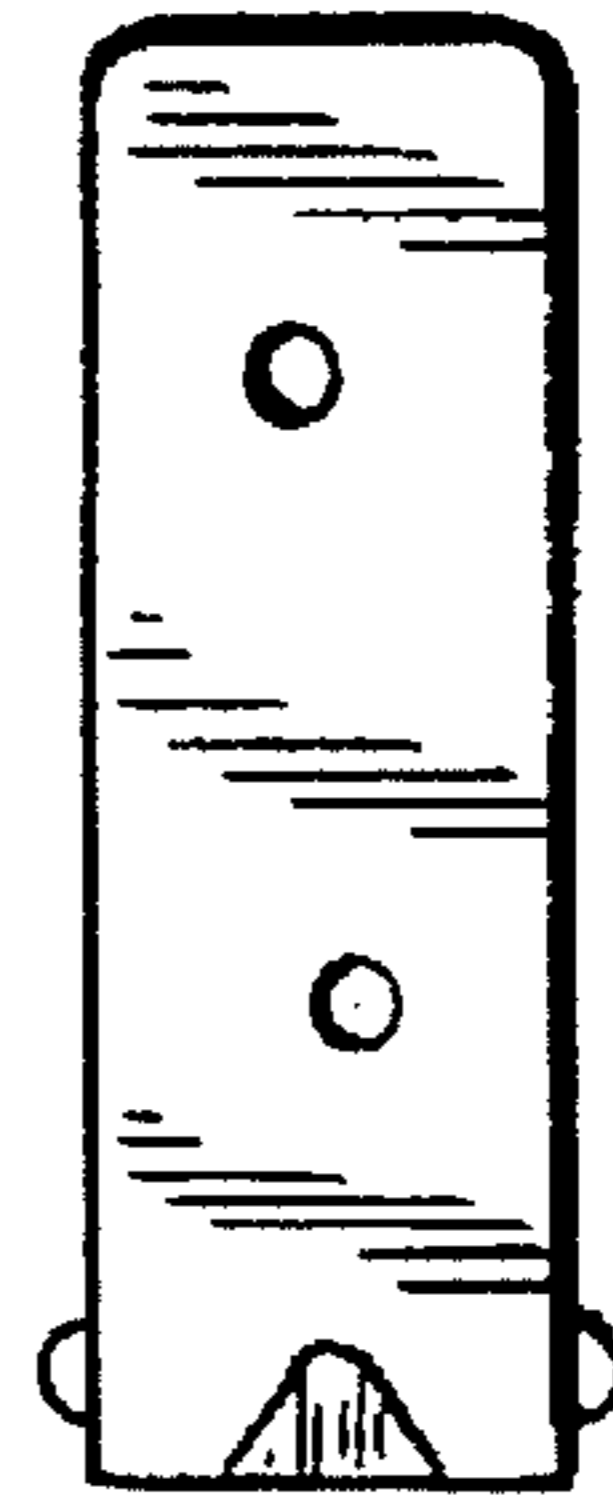


FIG. 5

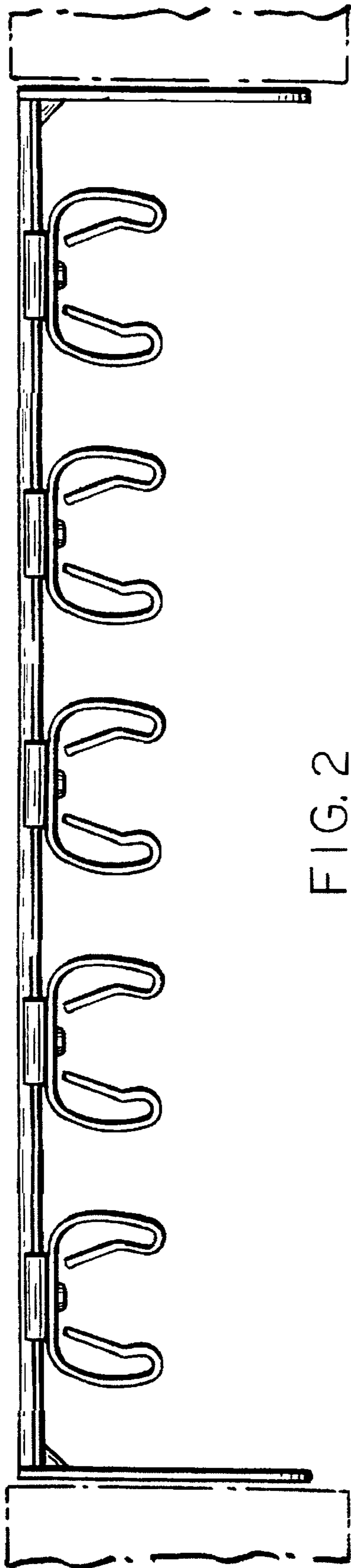


FIG. 2

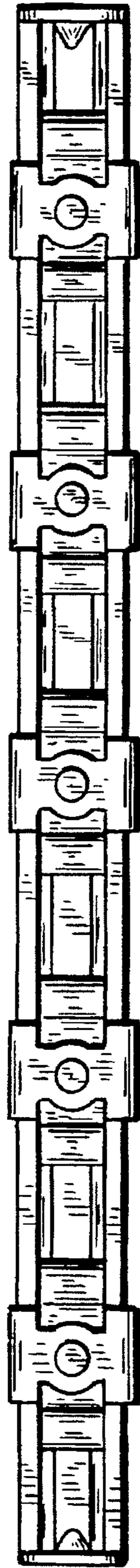


FIG. 3

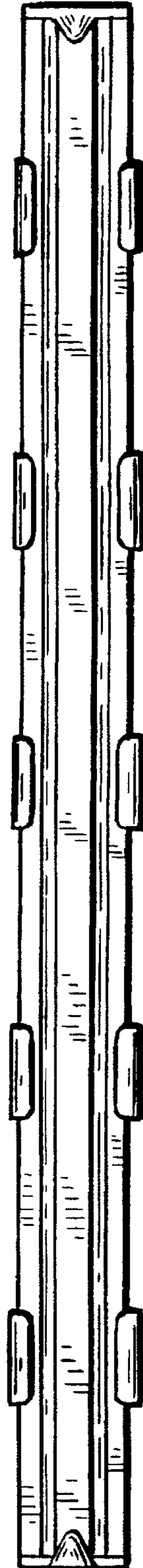


FIG. 4