



US00D379056S

# United States Patent [19] Gold

[11] Patent Number: **Des. 379,056**

[45] Date of Patent: **\*\*\*May 6, 1997**

[54] **UTILITY KNIFE WITH FRONT GRIP**

[76] Inventor: **Peter Gold**, 465 N. Wood Rd.,  
Rockville Centre, N.Y. 11570

[\*] Notice: The portion of the term of this patent subsequent to Oct. 1, 2010, has been disclaimed.

[\*\*] Term: **14 Years**

[21] Appl. No.: **41,883**

[22] Filed: **Jul. 26, 1995**

[51] LOC (6) Cl. .... **08-03**

[52] U.S. Cl. .... **D8/99**

[58] Field of Search ..... D8/98, 99, 107,  
D8/303; 30/2, 162, 294, 335, 340

[56] **References Cited**

**U.S. PATENT DOCUMENTS**

- D. 249,325 9/1978 Rollband ..... D8/99
- D. 319,378 8/1991 Wilcox ..... D8/99

- D. 346,730 5/1994 Quiros ..... D8/99
- 3,107,426 10/1963 Robinson, Jr. .... 30/162
- 4,546,546 10/1985 Kleger et al. .... D8/98
- 5,337,481 8/1994 Mears ..... 30/162
- 5,490,331 2/1996 Gold ..... 30/162

*Primary Examiner*—Philip S. Hyder  
*Assistant Examiner*—Adir Aronovich  
*Attorney, Agent, or Firm*—Myron Amer P.C.

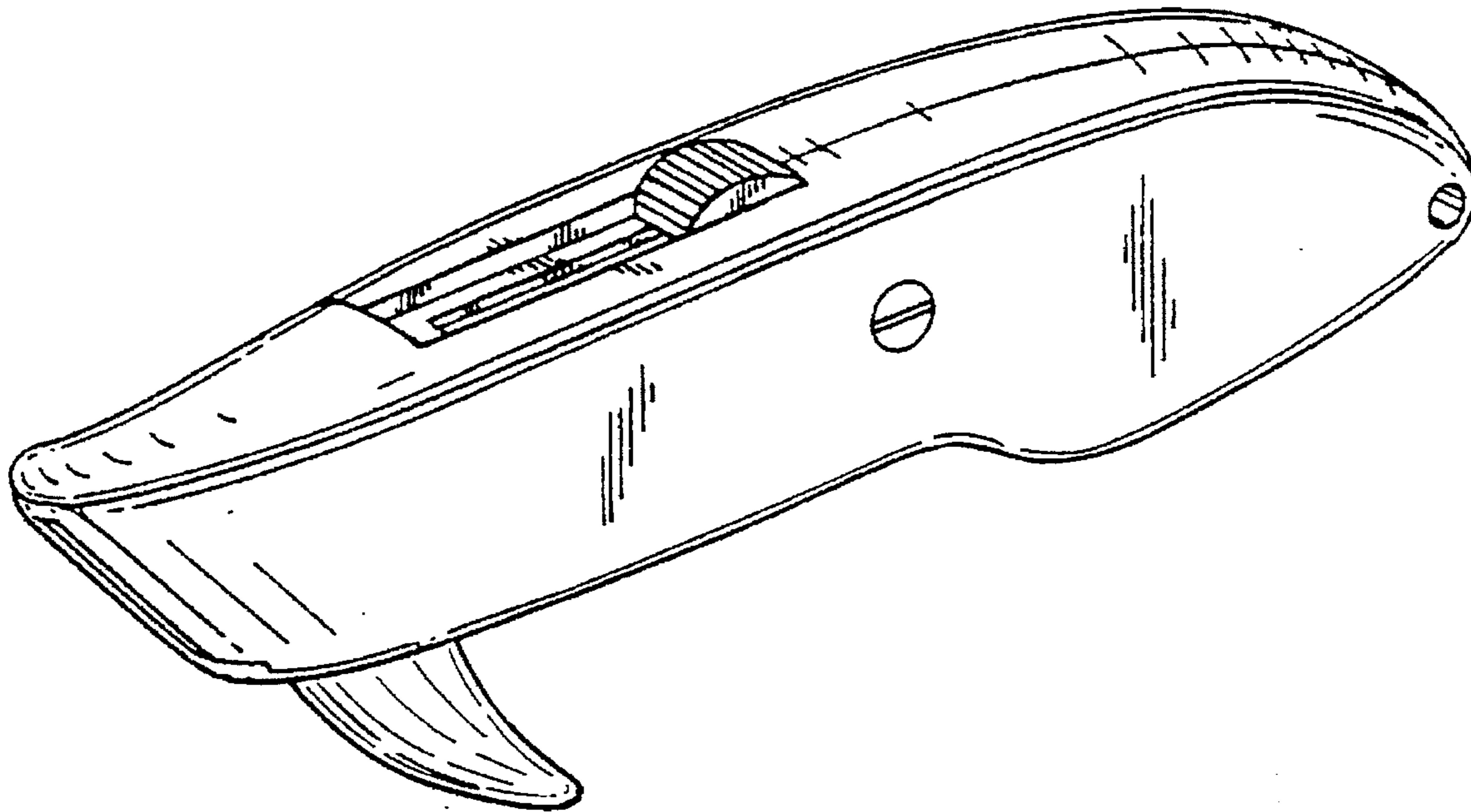
[57] **CLAIM**

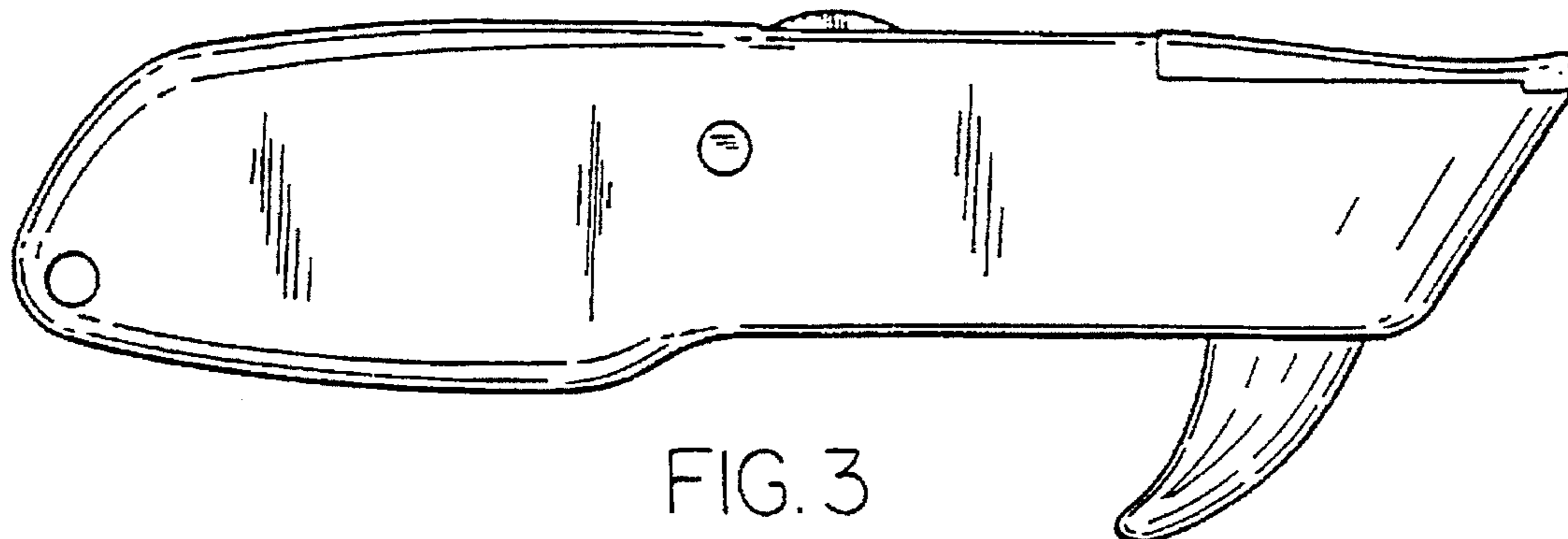
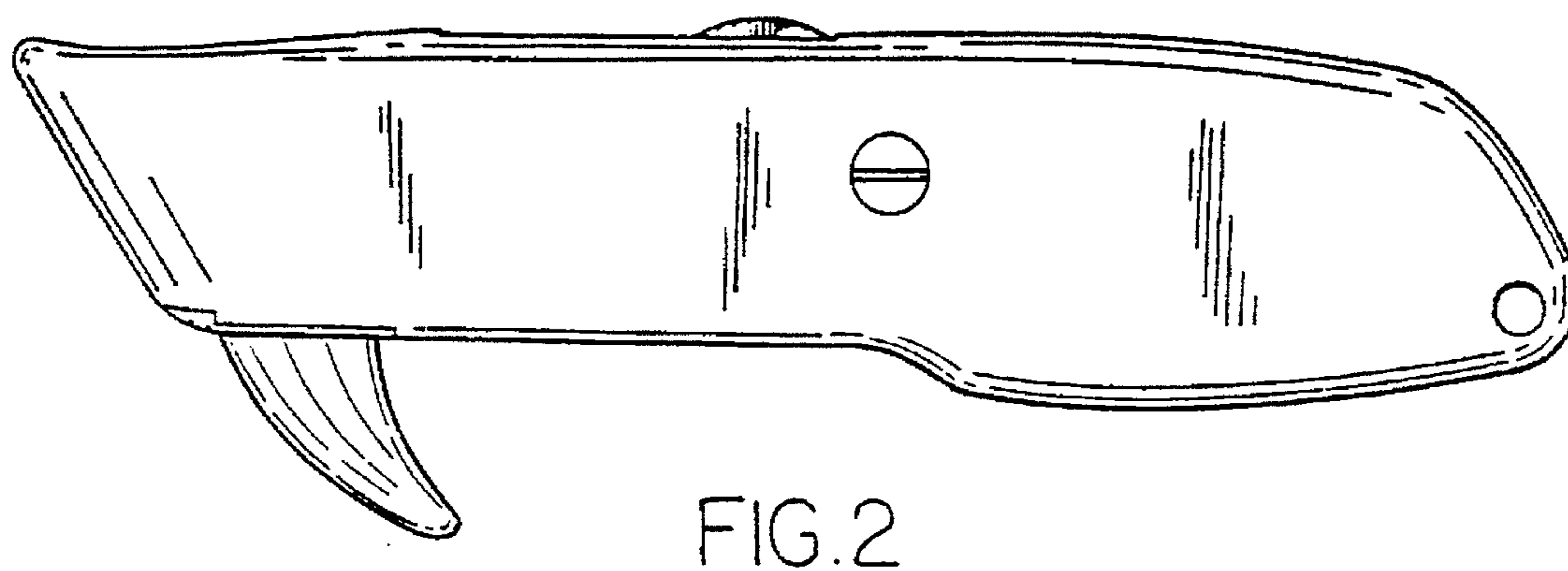
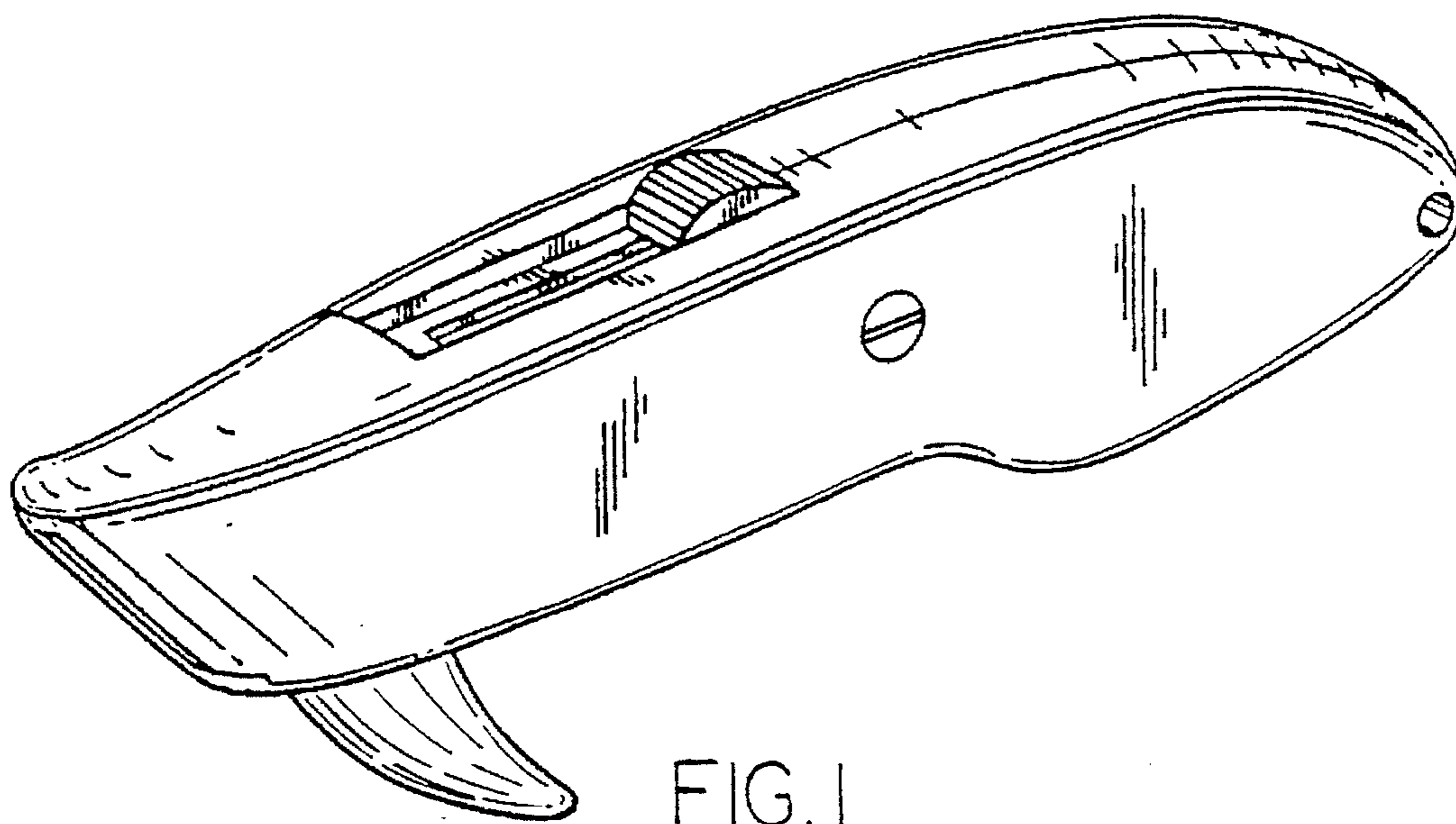
The ornamental design for an utility knife with front grip, as shown and described.

**DESCRIPTION**

FIG. 1 is a perspective view of an utility knife with front grip showing my new design;  
FIG. 2 is a left side elevational view thereof;  
FIG. 3 is a right side elevational view thereof;  
FIG. 4 is a top view thereof;  
FIG. 5 is a bottom view thereof;  
FIG. 6 is a front view thereof; and,  
FIG. 7 is a rear view thereof.

**1 Claim, 2 Drawing Sheets**





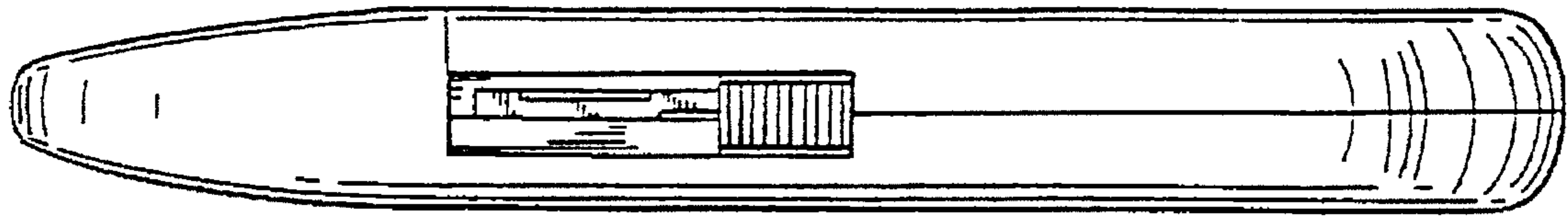


FIG. 4

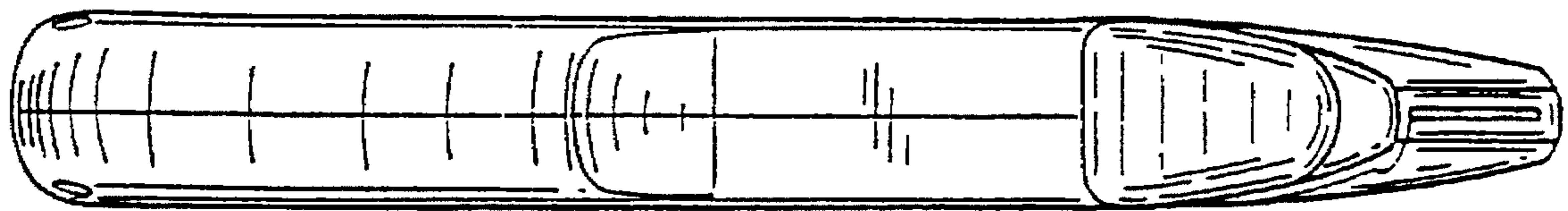


FIG. 5

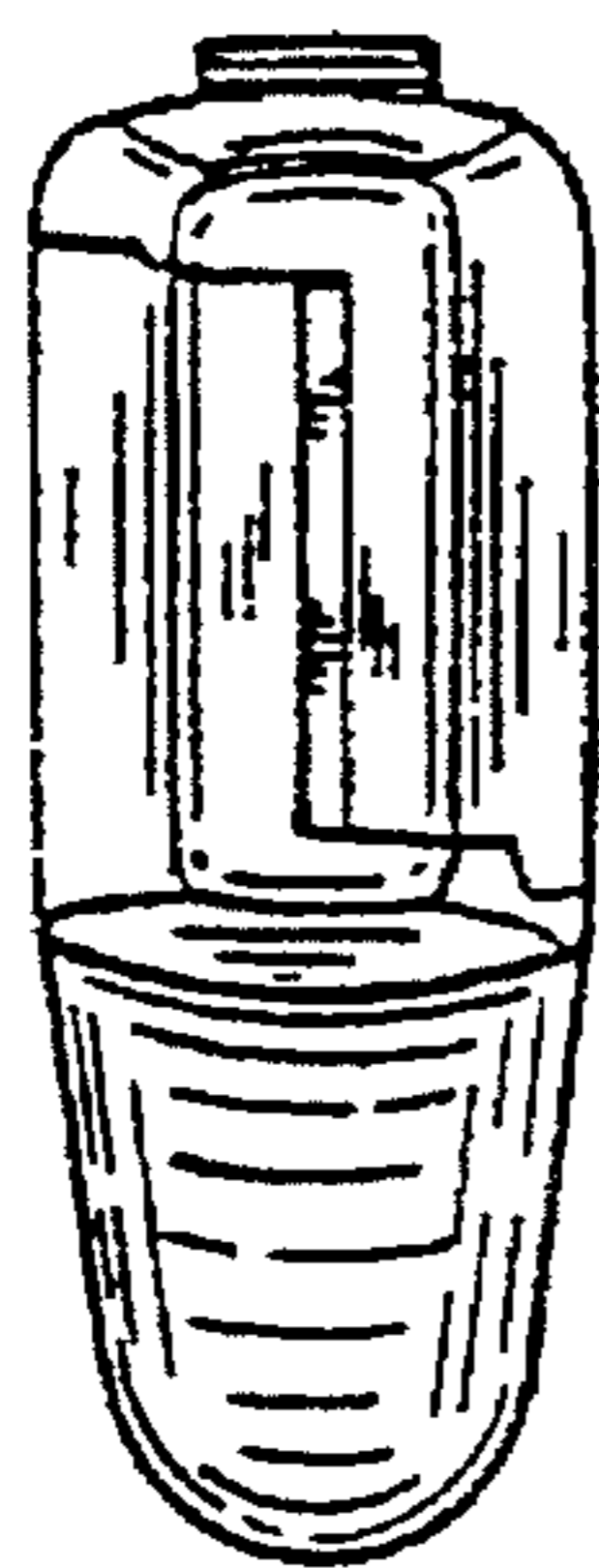


FIG. 6

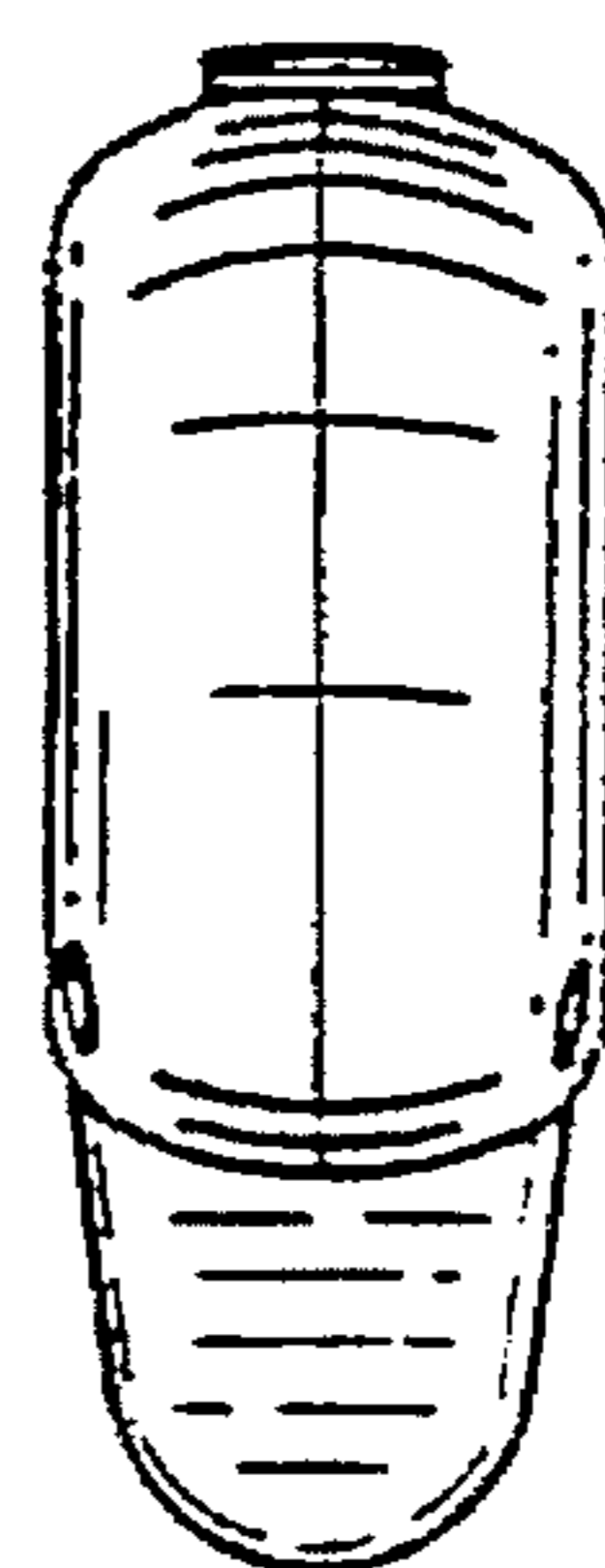


FIG. 7