



US00D379055S

# United States Patent [19]

Bowen et al.

[11] Patent Number: **Des. 379,055**

[45] Date of Patent: **\*\*May 6, 1997**

[54] **SAW**

[76] Inventors: **William L. Bowen**, 121 Kingwood Ave. NW. #3; **Guadalupe Palomino**, 1126 2nd St. NW., both of Salem, Oreg. 97304

[\*\*] Term: **14 Years**

[21] Appl. No.: **37,081**

[22] Filed: **Apr. 3, 1995**

[51] **LOC (6) Cl.** ..... **08-03**

[52] **U.S. Cl.** ..... **D8/66**

[58] **Field of Search** ..... D8/66, 70; D15/133; 30/389, 390, 391; 83/477, 478, 835; 144/218

### [56] **References Cited**

#### U.S. PATENT DOCUMENTS

D. 337,500	7/1993	Hutchings, II	.....	D8/70
3,827,325	8/1974	Ward et al.	.....	83/477
3,882,598	5/1975	Earle et al.	.....	30/390

4,466,187	8/1984	Morimoto	.....	30/390
4,993,243	2/1991	Guinn	.....	30/390
5,012,582	5/1991	Bristol et al.	.....	30/390

*Primary Examiner*—James M. Gandy  
*Assistant Examiner*—Robert M. Spear  
*Attorney, Agent, or Firm*—James A. Hudak

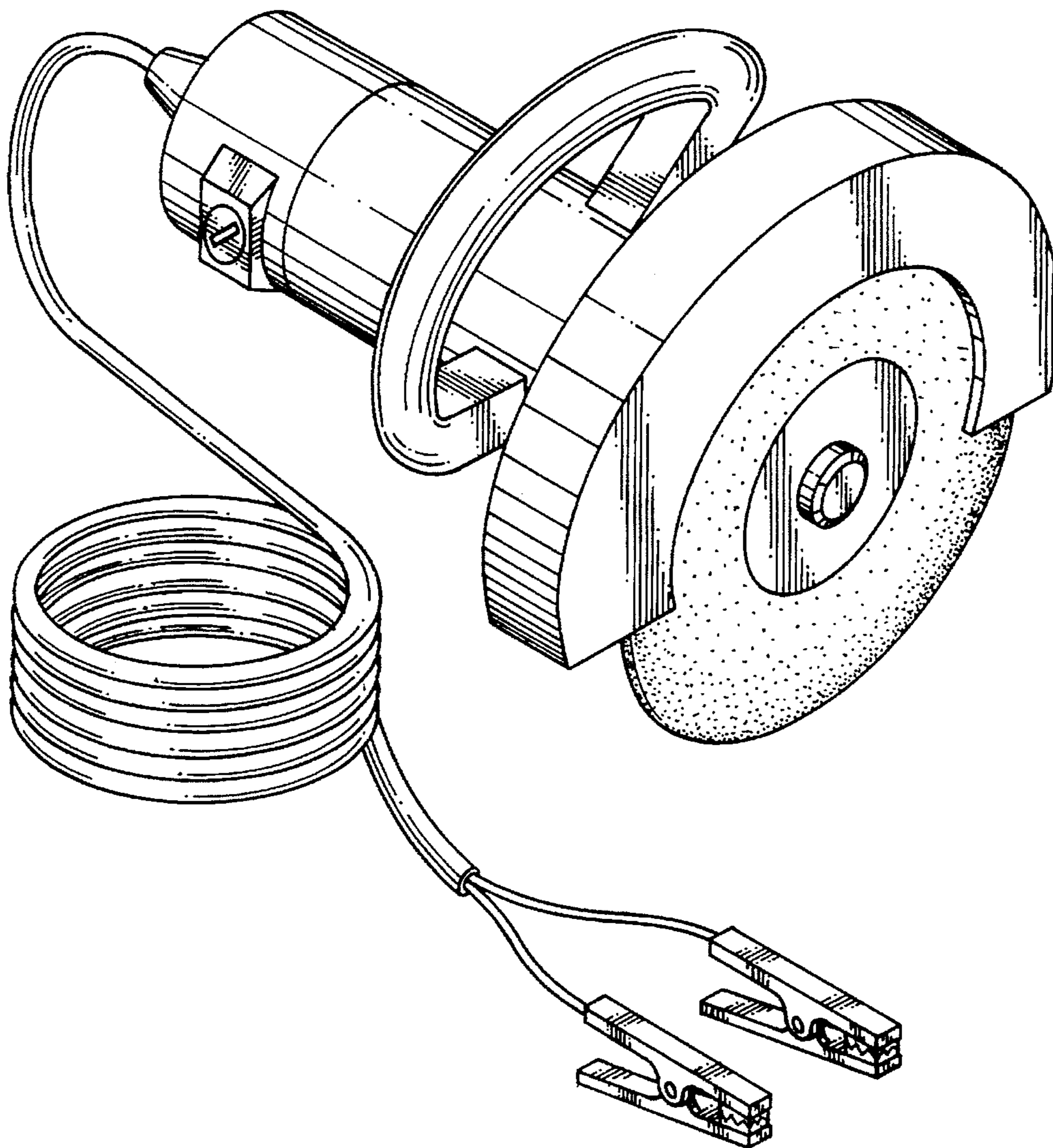
### [57] **CLAIM**

The ornamental design for a saw, as shown and described.

### **DESCRIPTION**

FIG. 1 is a perspective view of the saw showing our new design;  
FIG. 2 is a front elevational view thereof;  
FIG. 3 is a rear elevational view thereof;  
FIG. 4 is a left side elevational view thereof;  
FIG. 5 is a right side elevational view thereof;  
FIG. 6 is a top plan view thereof; and,  
FIG. 7 is a bottom plan view thereof.

**1 Claim, 4 Drawing Sheets**



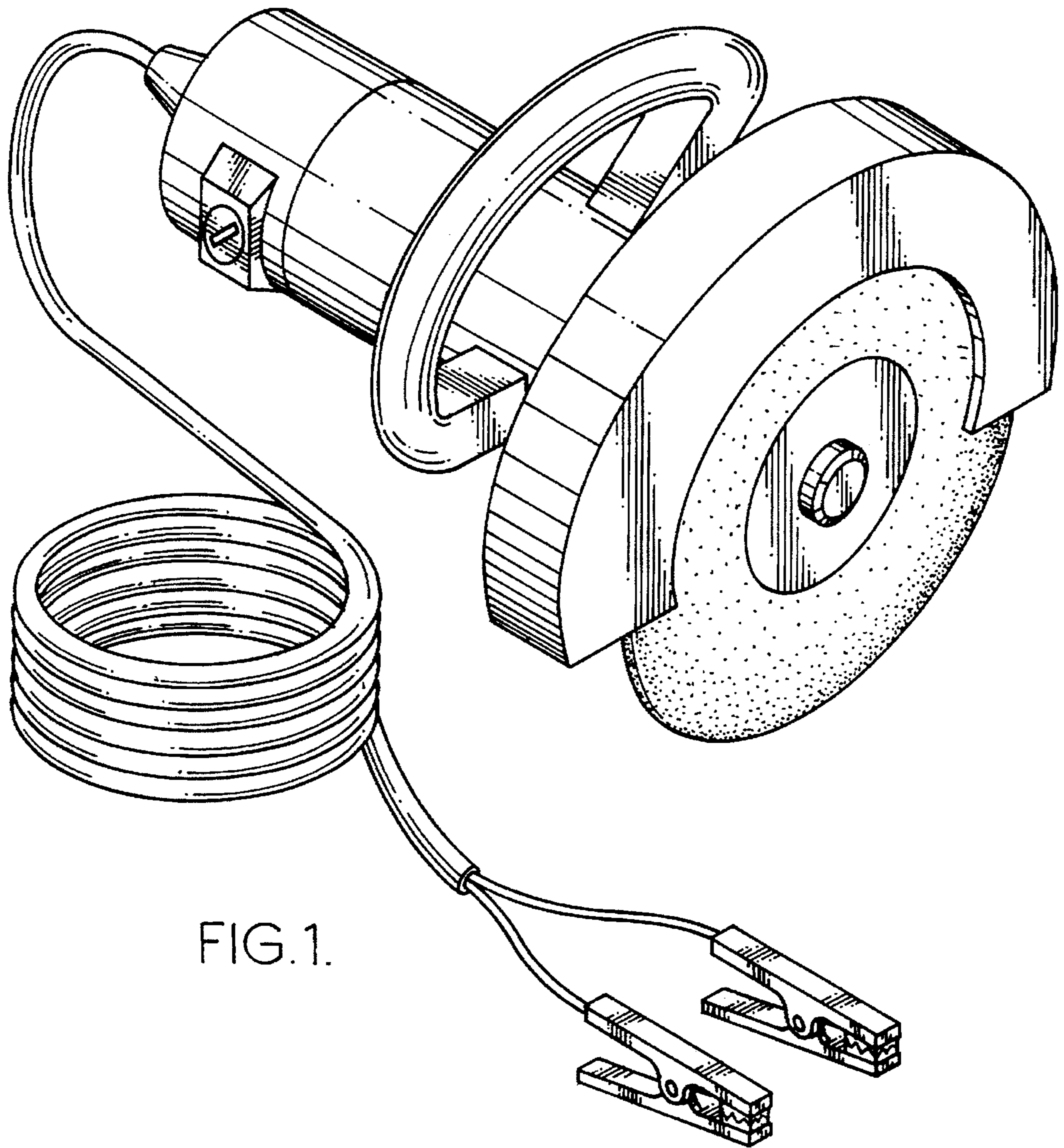


FIG. 1.

FIG. 7.

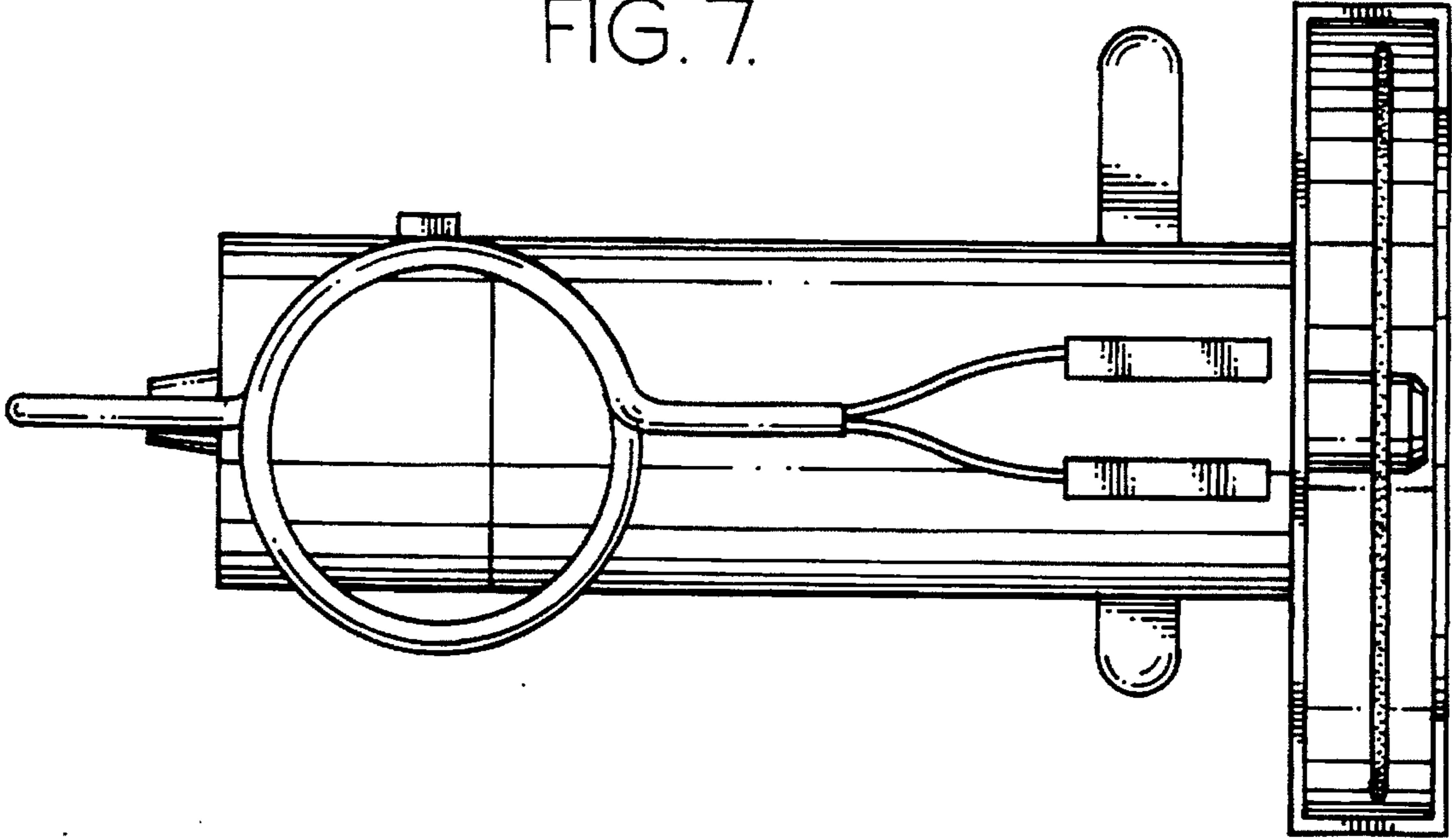
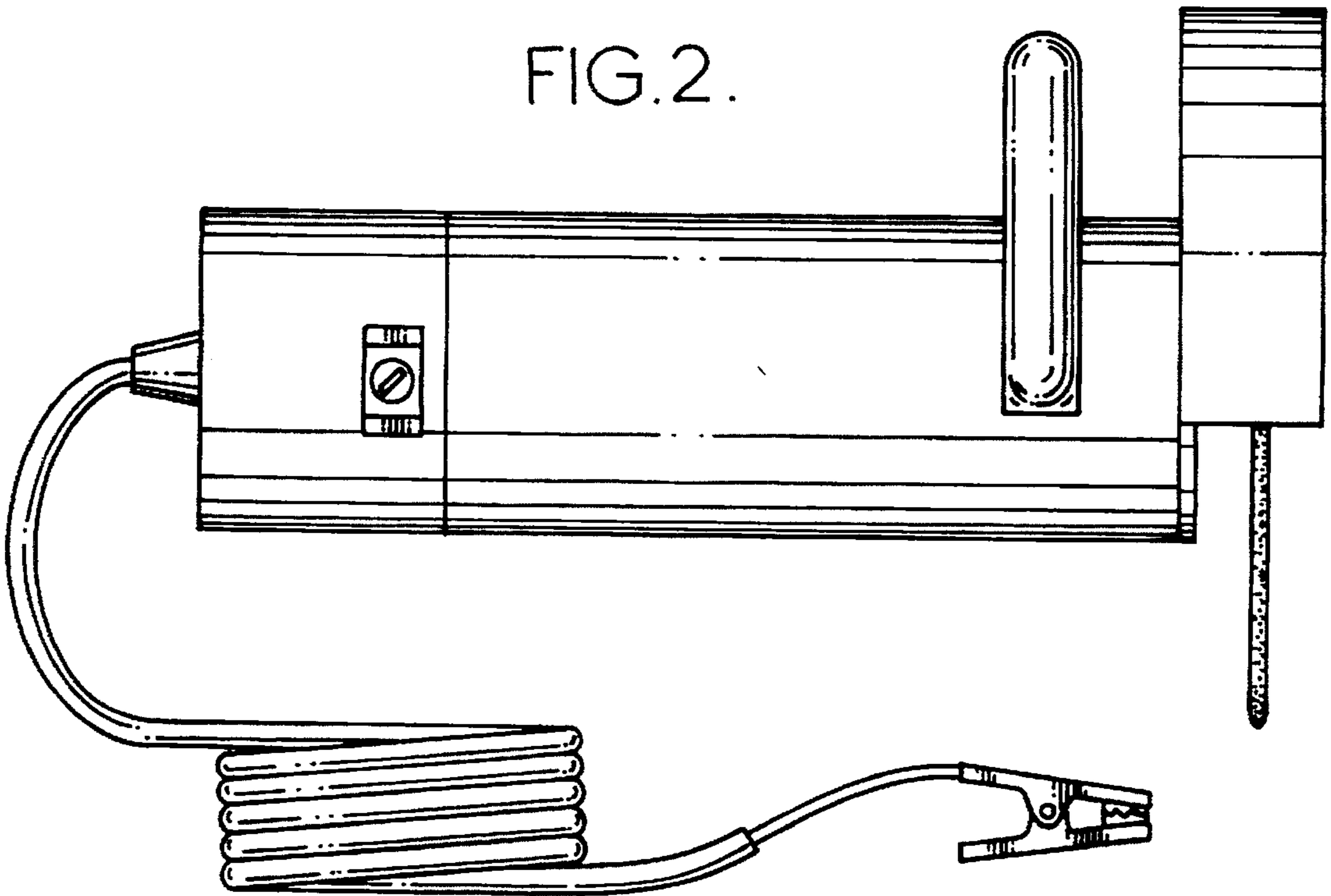


FIG. 2.



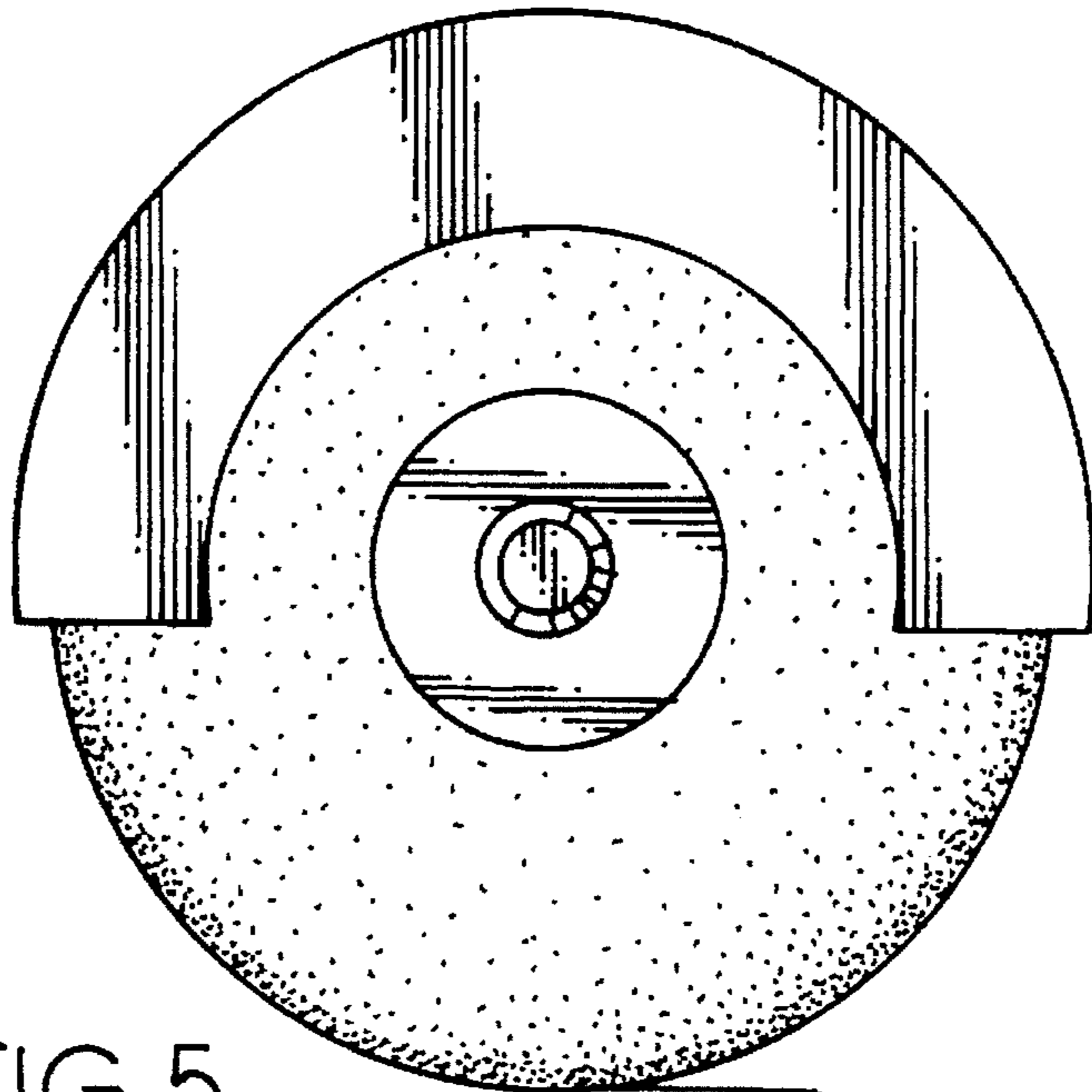


FIG. 5.

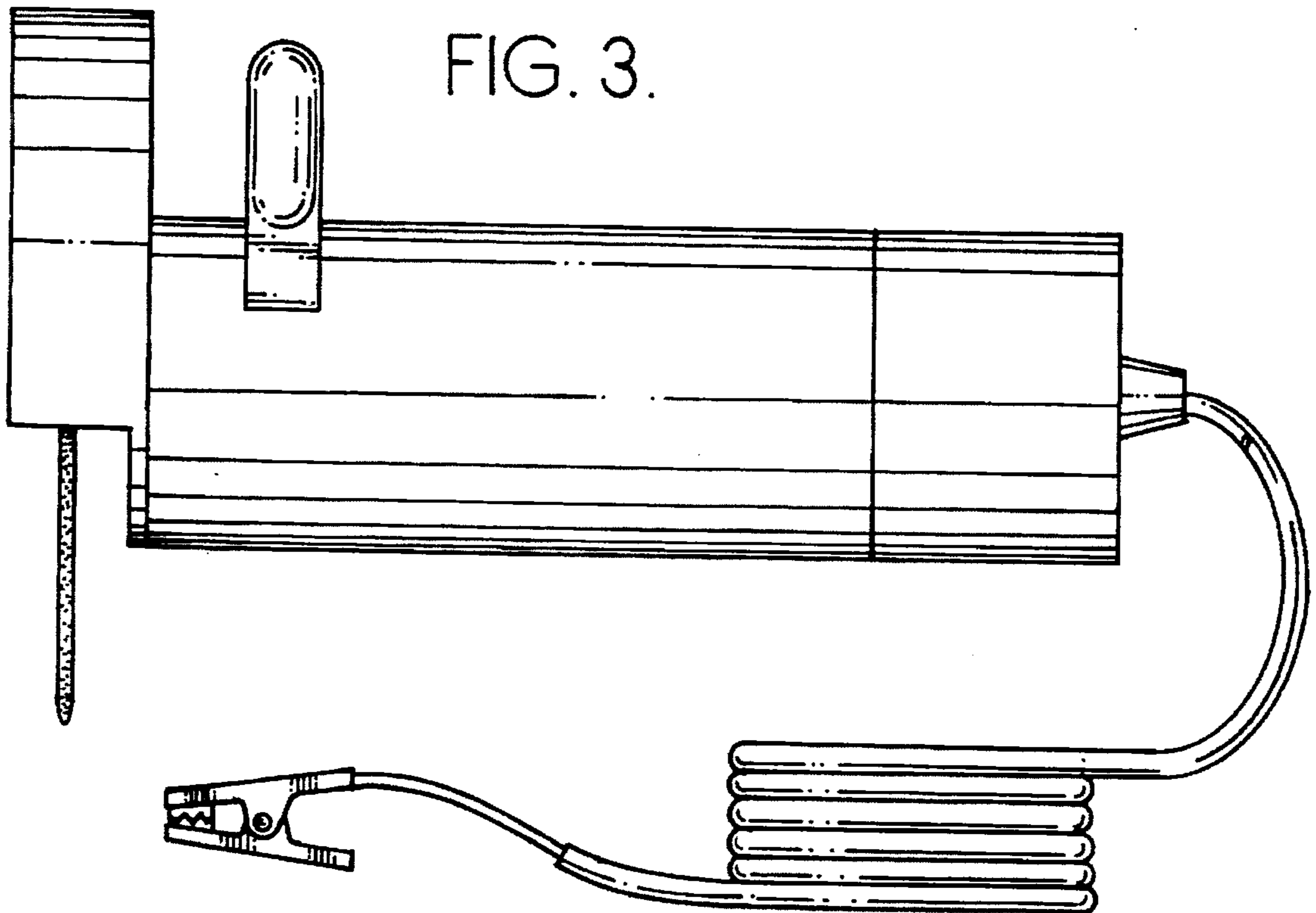
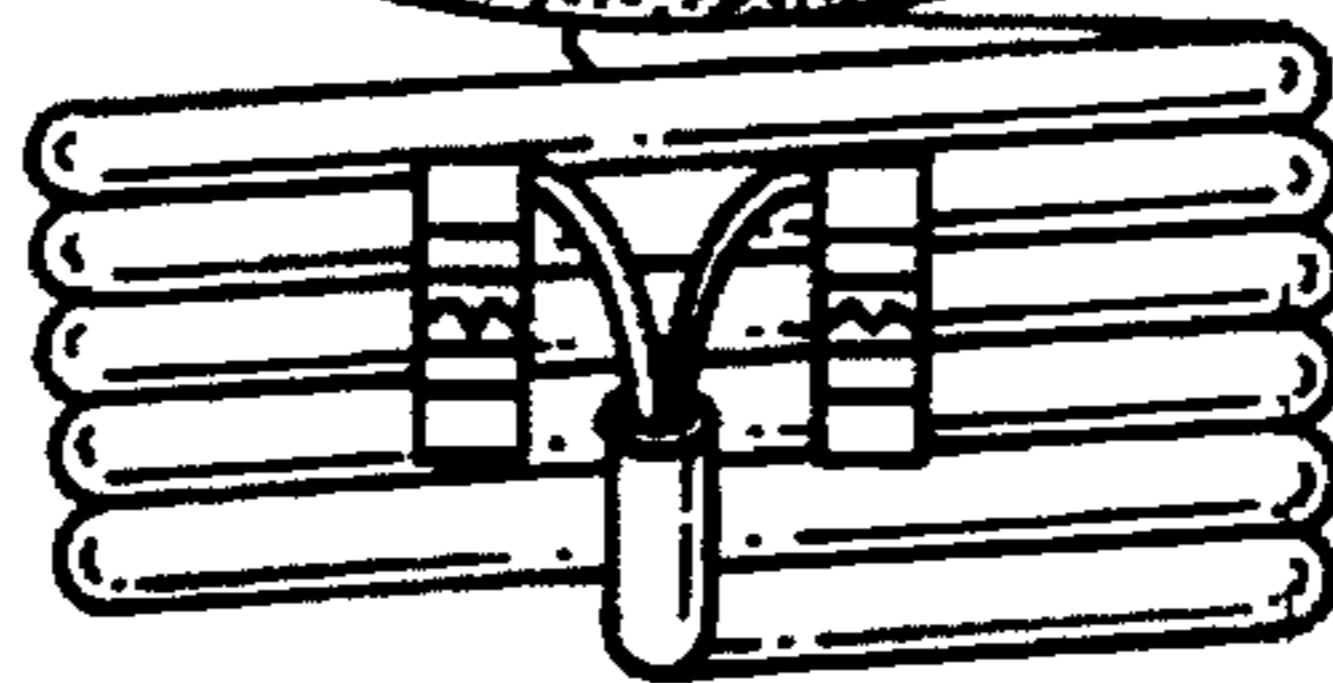


FIG. 3.

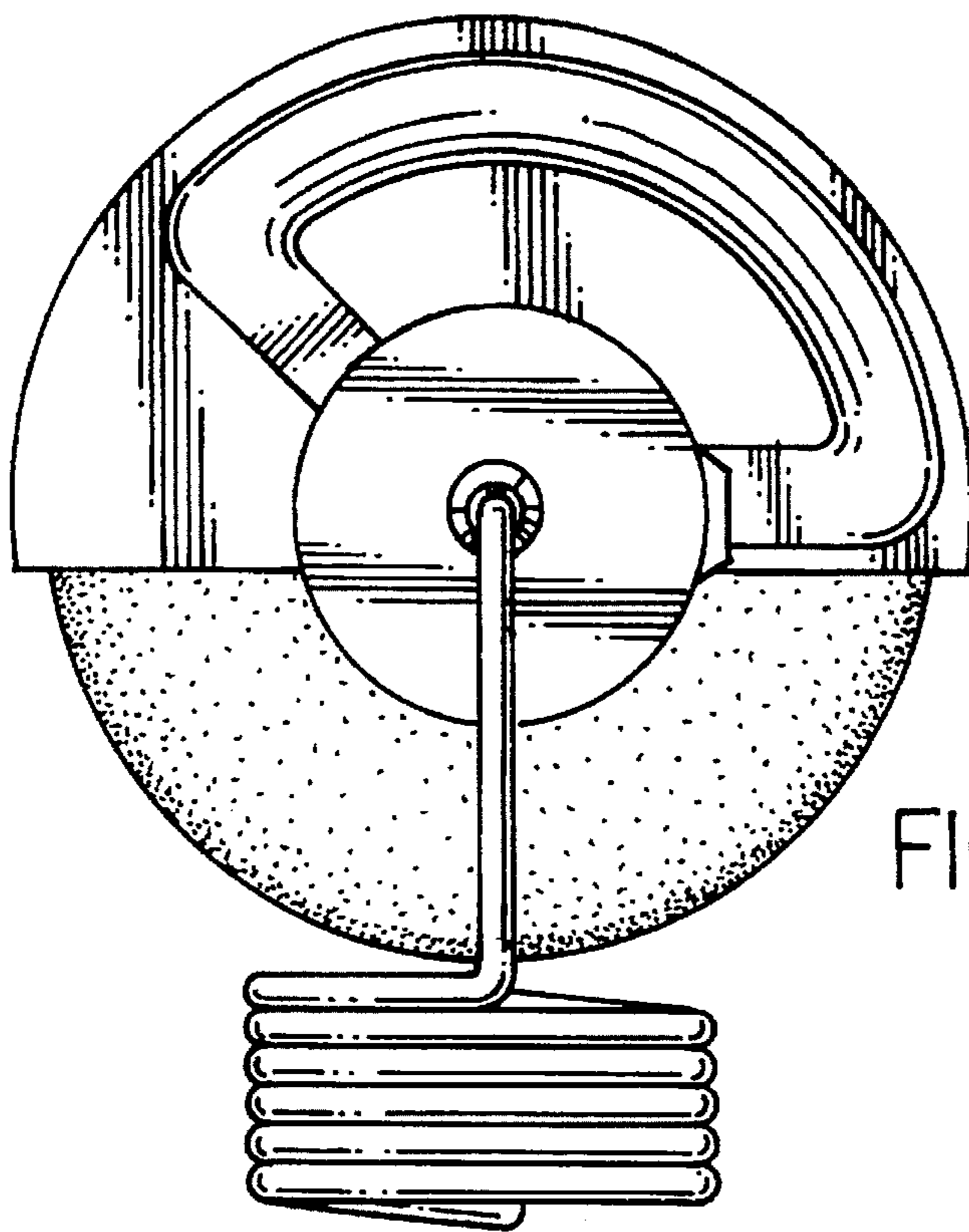


FIG. 4.

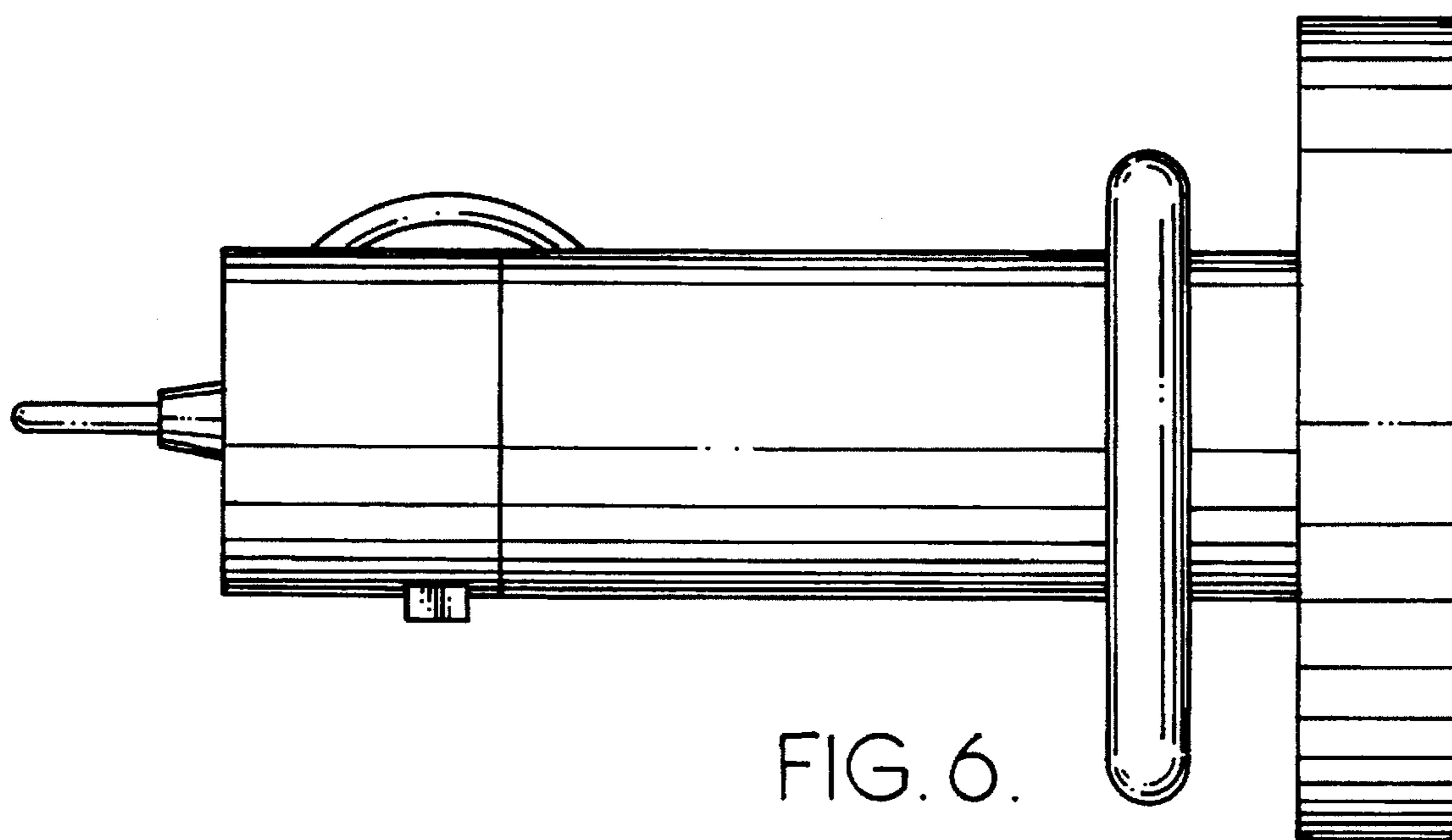


FIG. 6.