



US00D379052S

# United States Patent [19] Skinner

[11] Patent Number: Des. 379,052  
[45] Date of Patent: \*\*May 6, 1997

[54] CUTTING LINE FOR A ROTATING LINE TRIMMER

[75] Inventor: David B. Skinner, Columbia, S.C.

[73] Assignee: Shakespeare Company, Columbia, S.C.

[\*\*] Term: 14 Years

[21] Appl. No.: 39,803

[22] Filed: May 25, 1995

### Related U.S. Application Data

[60] Division of Ser. No. 29,442, Oct. 6, 1994, Pat. No. Des. 365,734, which is a continuation-in-part of Ser. No. 834,520, Feb. 12, 1992, Pat. No. Des. 364,079.

[51] LOC (6) Cl. .... 08-01

[52] U.S. Cl. .... D8/8; D15/138

[58] Field of Search ..... D8/8; D15/16, D15/17, 138; D21/108; D25/119-123; 30/276, 295; 56/12.7, 295; 428/397, 400

### [56] References Cited

#### U.S. PATENT DOCUMENTS

D. 298,905	12/1988	Petherick et al. ....	D8/8
910,192	1/1909	Grouvelle et al. .	
2,984,935	5/1961	Beck .....	D21/108
3,537,706	11/1970	Heavener, Jr. ....	D21/108
3,645,035	2/1972	Fischer .....	46/17
3,834,182	9/1974	Trask et al. ....	D21/108
3,940,100	2/1976	Haug .....	D21/108
4,047,299	9/1977	Bair .....	30/276
4,107,841	8/1978	Rebhun .....	30/276
4,126,990	11/1978	Fisher et al. ....	56/295
4,186,239	1/1980	Mize et al. ....	428/399
4,282,653	8/1981	Comer et al. ....	30/276
4,356,686	11/1982	Lessig, III .....	56/295

4,412,382	11/1983	White, III .....	30/276
4,631,828	12/1986	Burnett .....	30/276
4,825,627	5/1989	Truderung .....	56/12.7
4,869,055	9/1989	Mickelson .....	56/12.7
4,905,465	3/1990	Jones et al. ....	56/295
4,916,886	4/1990	Nakamura et al. ....	56/12.7
5,048,278	9/1991	Jones et al. ....	56/295
5,220,774	6/1993	Harbeke et al. ....	56/12.7

### FOREIGN PATENT DOCUMENTS

556632 10/1974 Switzerland .

### OTHER PUBLICATIONS

Plastic Process Co. Catalog, Jul. 1953, p. 55, item 1360.  
Anchor Plastics Catalog® 1960, p. 29, tubing "D".  
Van Huffel Catalog L-56, p. 69, bottom right tubing.  
Van Huffel Catalog L-56, p. 72, tubing 2327/0.17.

Primary Examiner—Sandra L. Morris  
Attorney, Agent, or Firm—Renner, Kenner, Greive, Bobak, Taylor & Weber

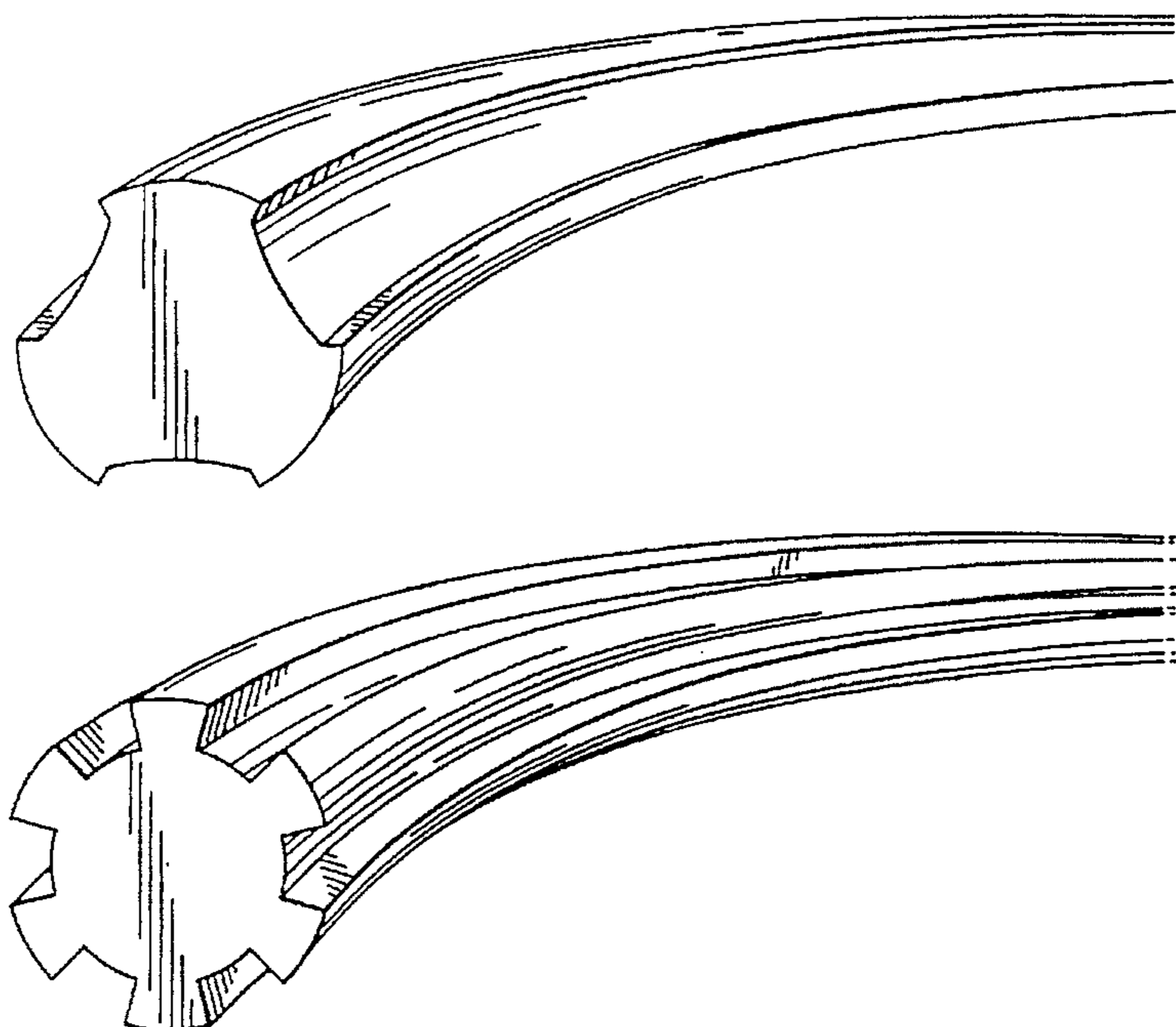
### [57] CLAIM

The ornamental design for a cutting line for a rotating line trimmer, as shown and described.

### DESCRIPTION

FIG. 1 is a fragmentary perspective view of a cutting line for a rotating line trimmer, showing my new design;  
FIG. 2 is a fragmentary perspective view of a second embodiment of FIG. 1;  
FIG. 3 is a fragmentary perspective view of a third embodiment of FIG. 1;  
FIG. 4 is a fragmentary perspective view of a fourth embodiment of FIG. 1; and,  
FIG. 5 is a fragmentary perspective view of a fifth embodiment of FIG. 1.

1 Claim, 2 Drawing Sheets



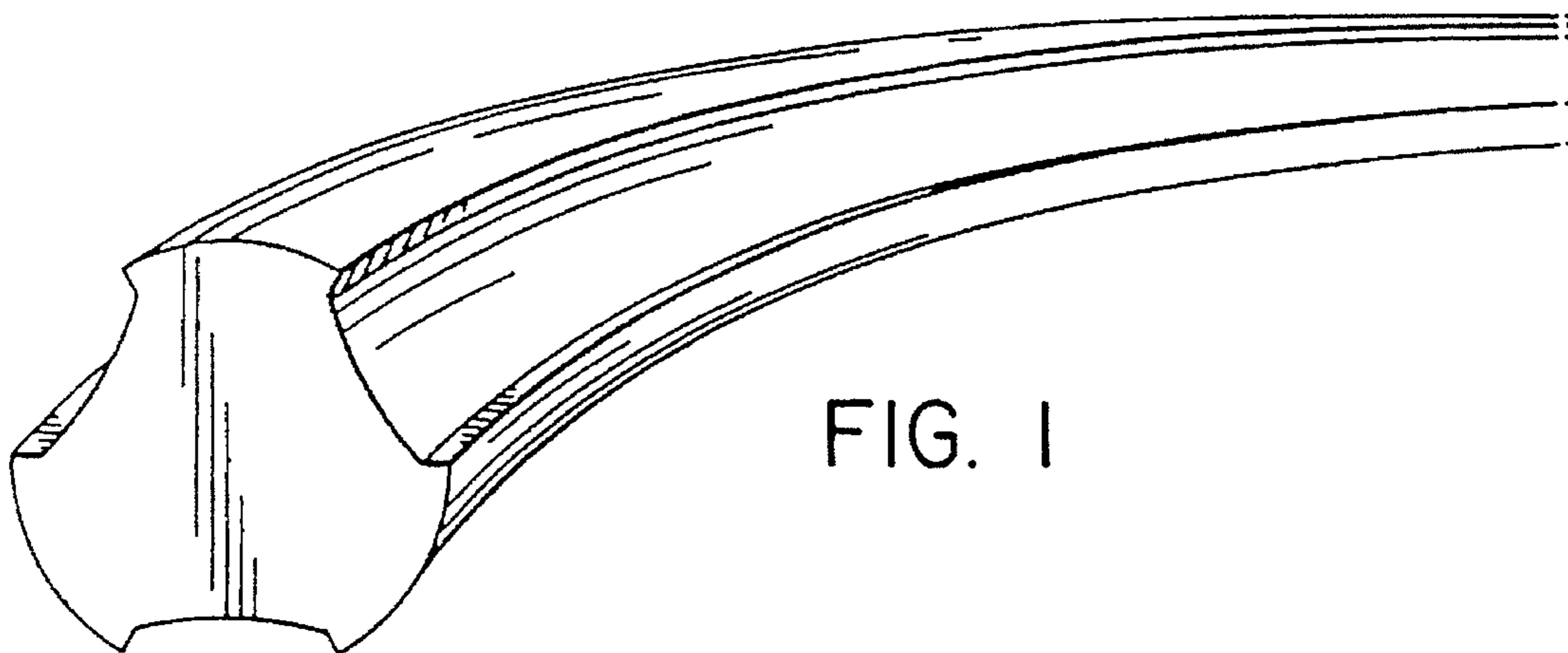


FIG. 1

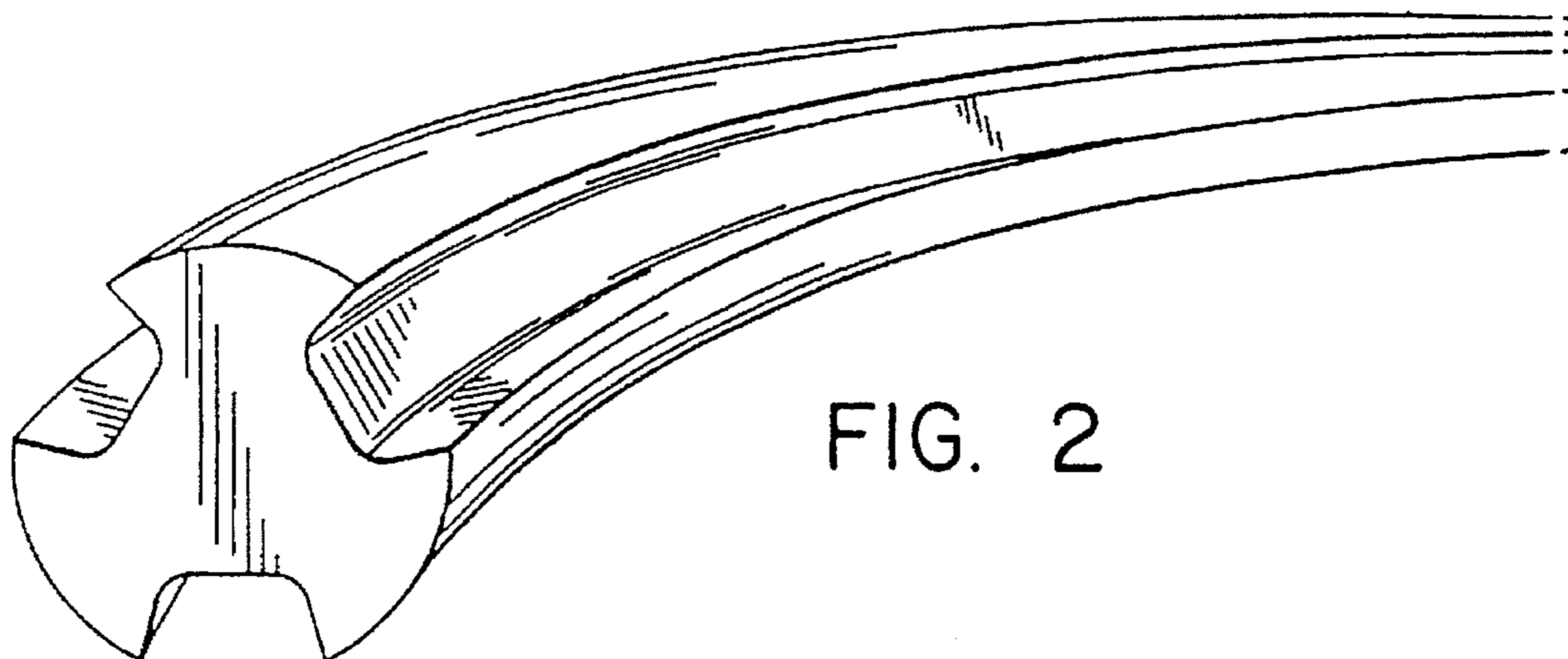


FIG. 2

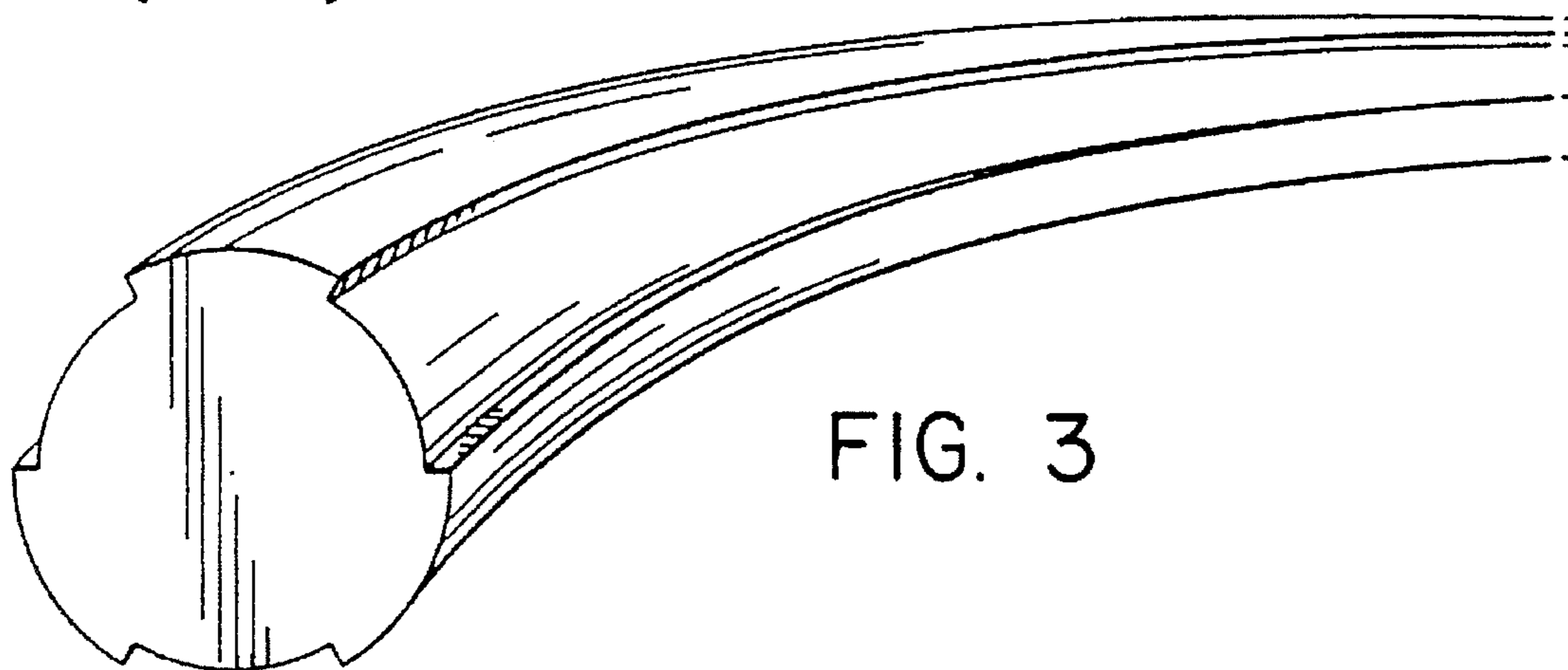


FIG. 3

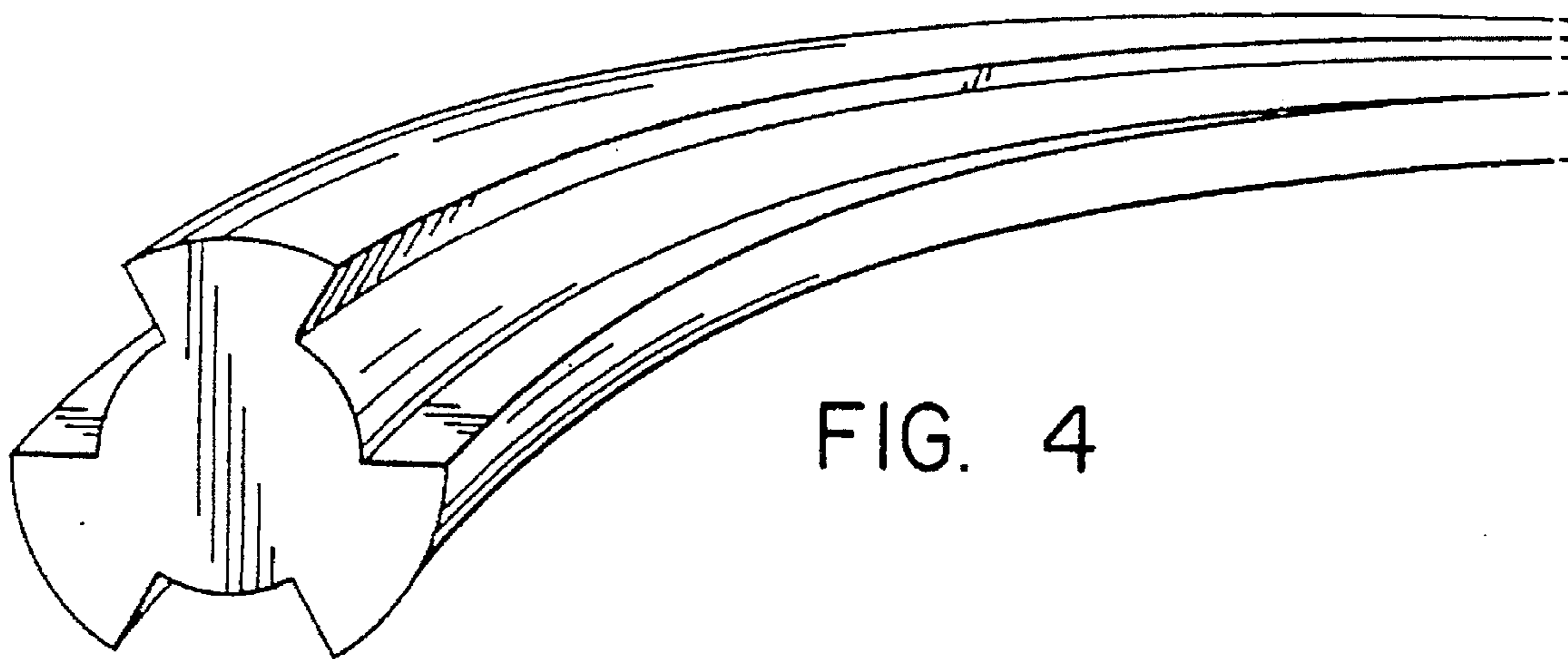


FIG. 4

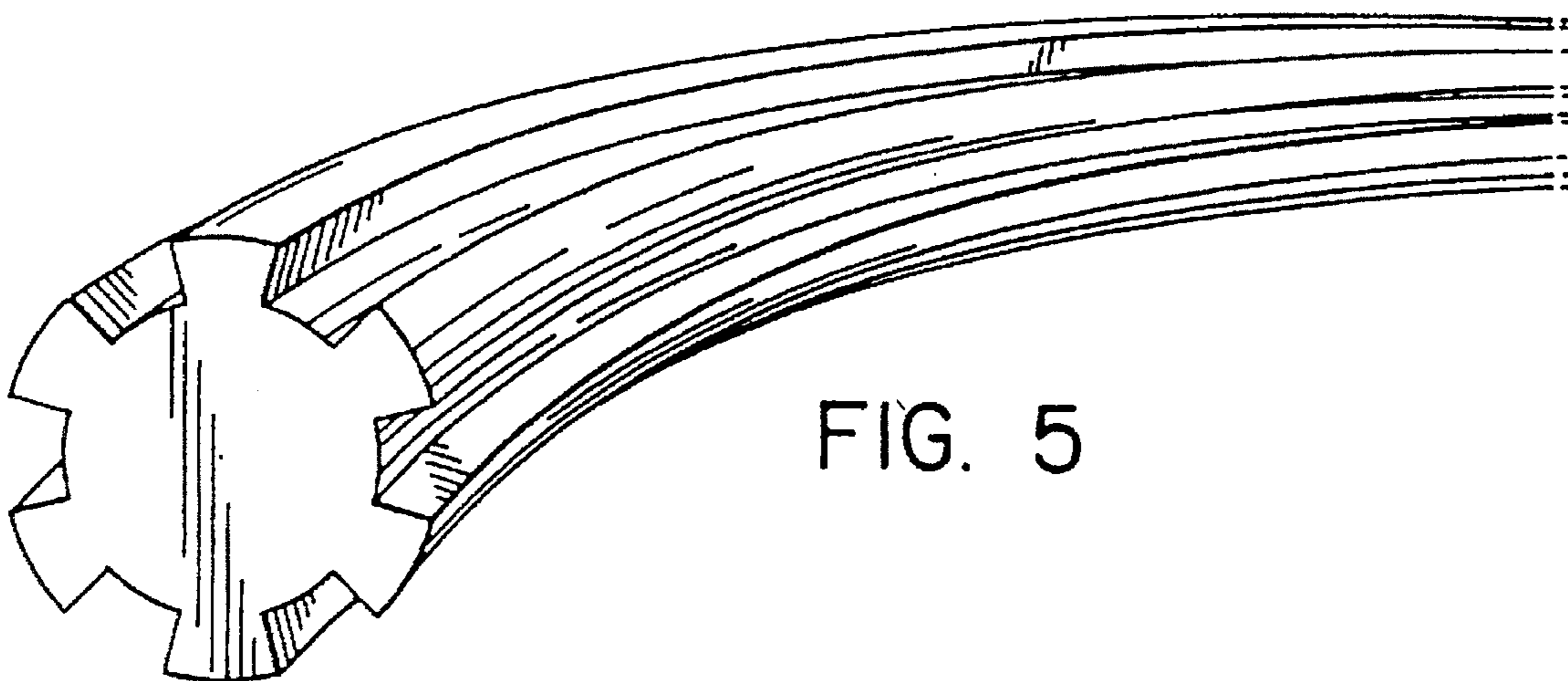


FIG. 5