



US00D379051S

United States Patent [19] Jacquemin

[11] Patent Number: **Des. 379,051**
[45] Date of Patent: ****May 6, 1997**

[54] **APPARATUS FOR COOKING HAMBURGERS**

[75] Inventor: **Sandra Jacquemin**, Thusy, France

[73] Assignee: **Tefal S.A.**, Rumilly, France

[**] Term: **14 Years**

[21] Appl. No.: **41,636**

[22] Filed: **Jul. 20, 1995**

[30] **Foreign Application Priority Data**

Jan. 20, 1995 [FR] France 950356

[51] LOC (6) Cl. **07-02**

[52] U.S. Cl. **D7/352**

[58] Field of Search D7/337, 350, 352,
D7/354-360; 99/331, 339, 342, 349, 357,
400, 372

[56] **References Cited**

U.S. PATENT DOCUMENTS

- D. 195,754 7/1963 Rawson, Jr. et al. D7/350
- D. 200,137 1/1965 Hanna D7/337 X
- D. 266,306 9/1982 Ansel D7/352

- 2,334,122 11/1943 Payne 99/357
- 2,985,094 5/1961 Shaw et al. 99/331
- 4,487,116 12/1984 Routhier 99/339
- 4,664,025 5/1987 Martinez 99/331
- 5,363,748 11/1994 Boehm et al. 99/372

Primary Examiner—James Gandy
Assistant Examiner—Caron D. Veynar
Attorney, Agent, or Firm—Young & Thompson

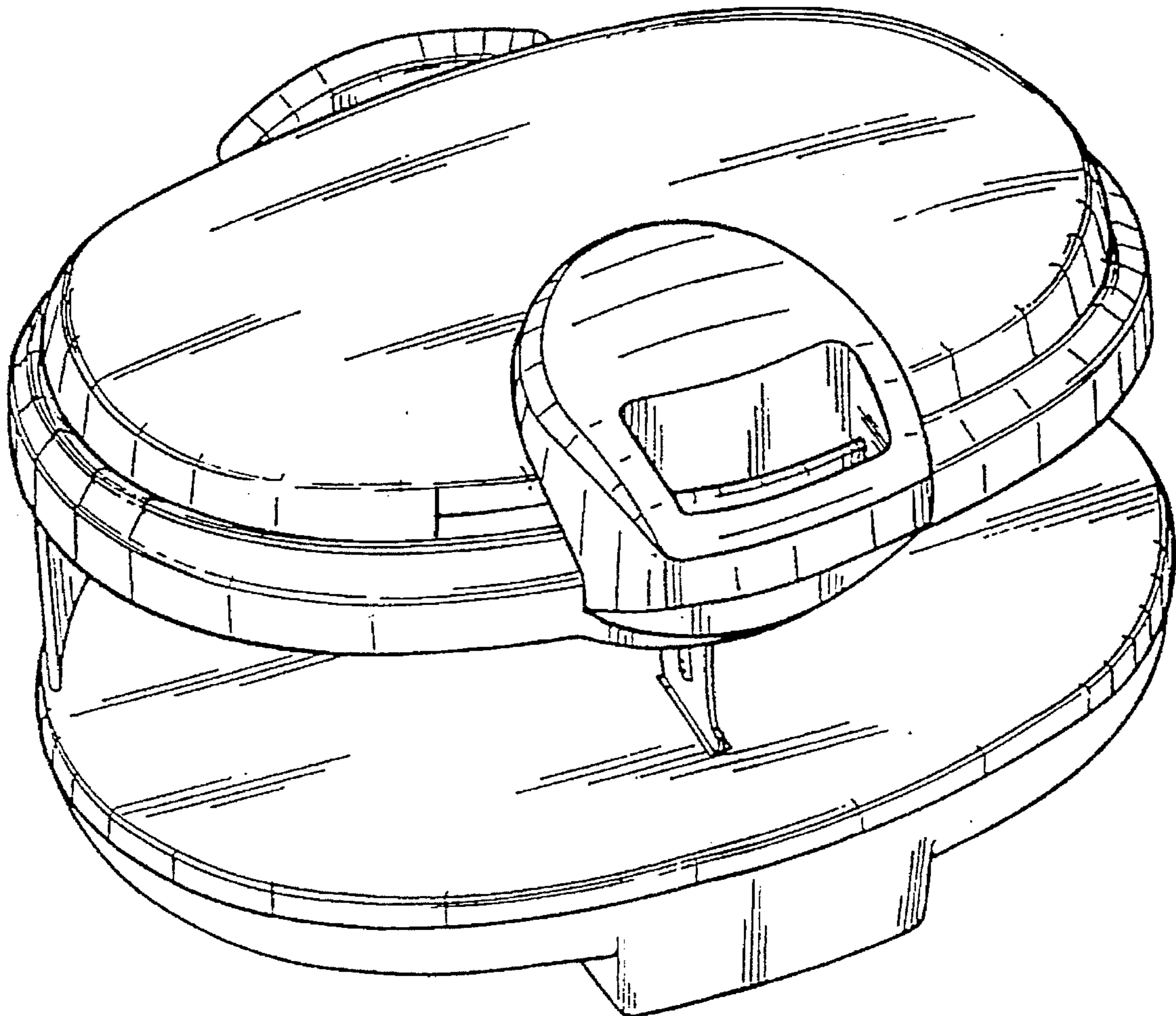
[57] **CLAIM**

The ornamental design for an apparatus for cooking hamburgers, as shown.

DESCRIPTION

FIG. 1 is a front elevational view of an apparatus for cooking hamburgers, showing my new design;
FIG. 2 is a rear elevational view thereof;
FIG. 3 is a side elevational view thereof from the left of FIG. 1;
FIG. 4 is a side elevational view thereof from the right to FIG. 1;
FIG. 5 is a top plan view thereof;
FIG. 6 is a bottom plan view thereof; and,
FIG. 7 is a top, front and side perspective view thereof.

1 Claim, 5 Drawing Sheets



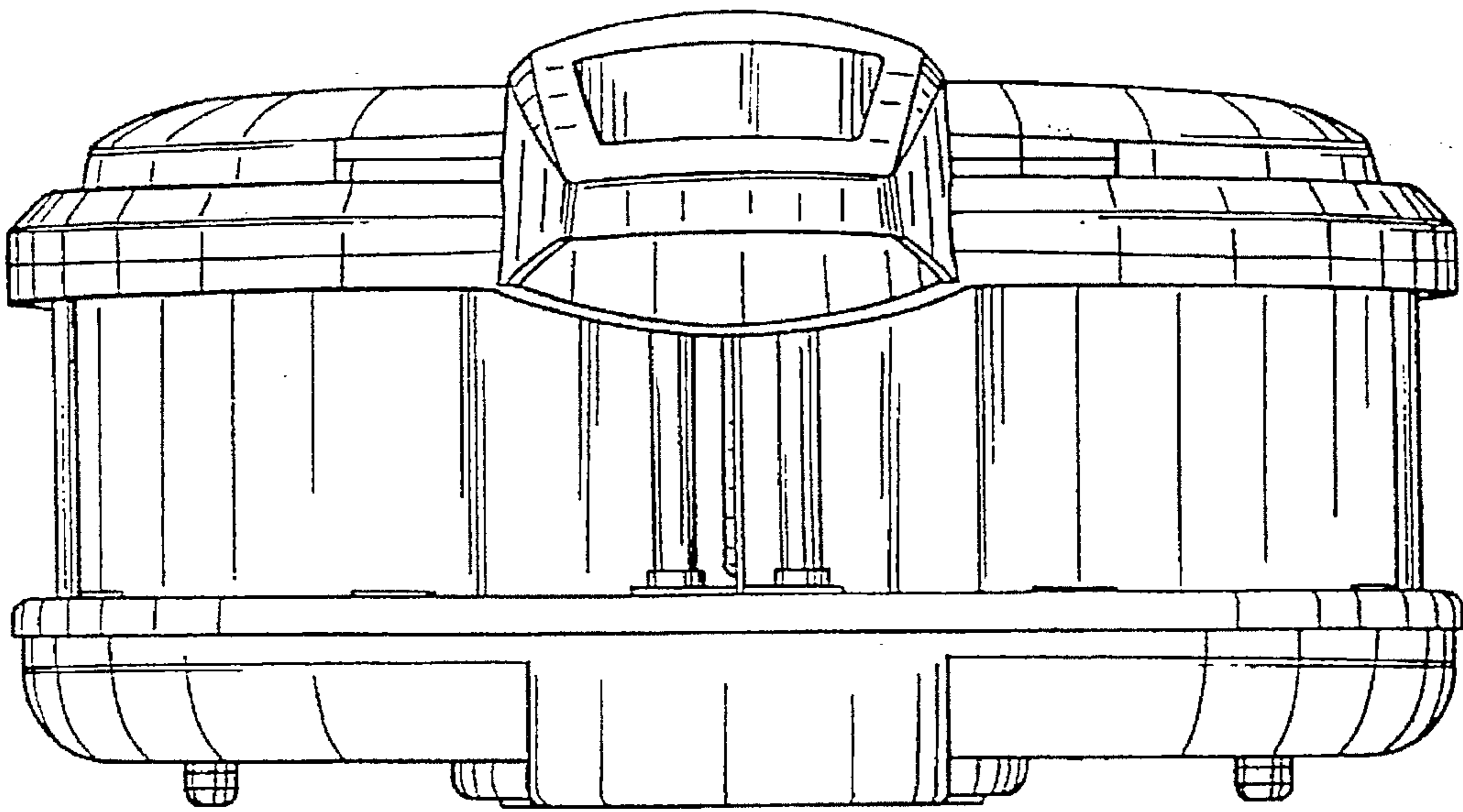


FIG. 1

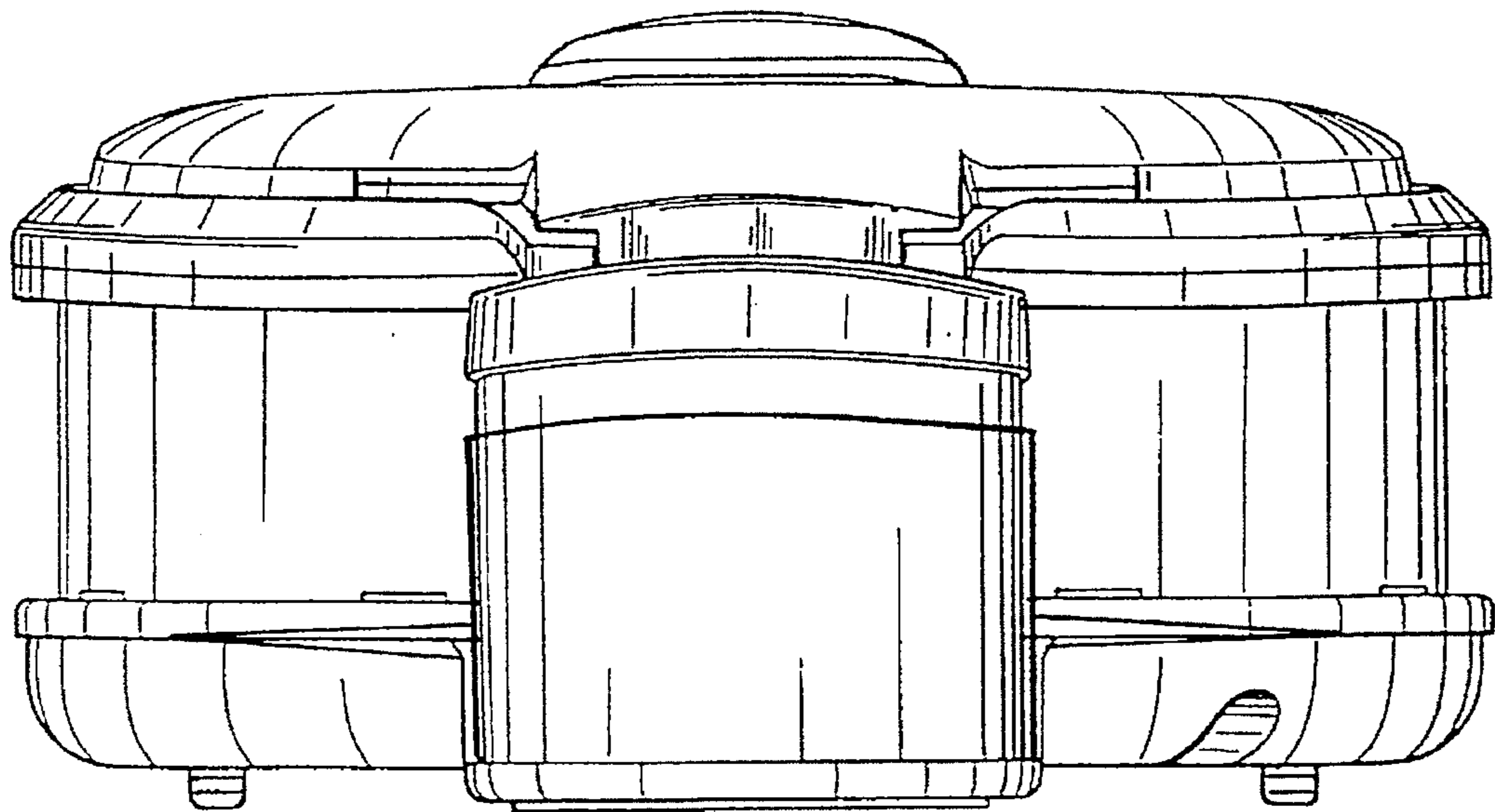


FIG. 2

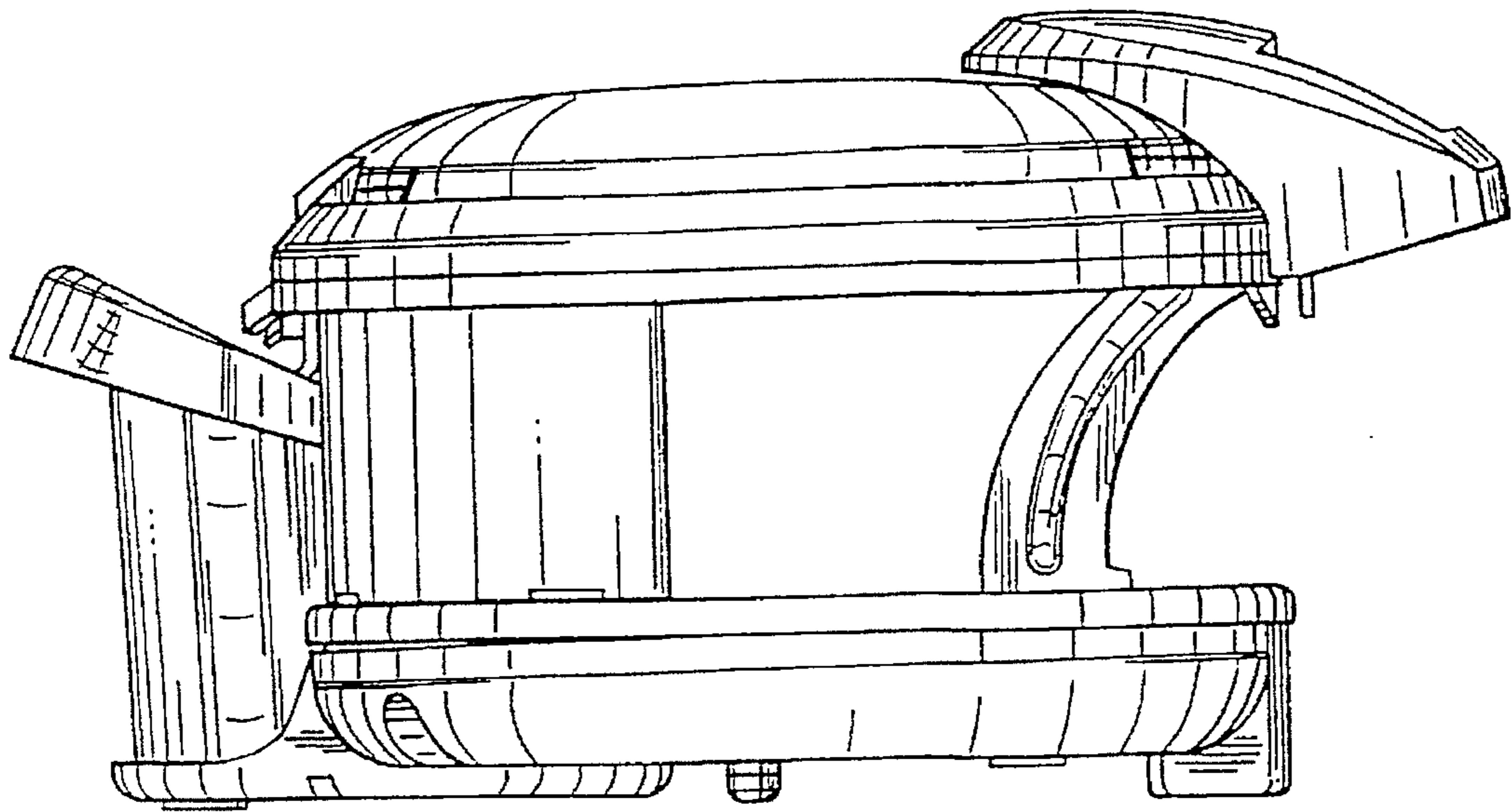


FIG. 3

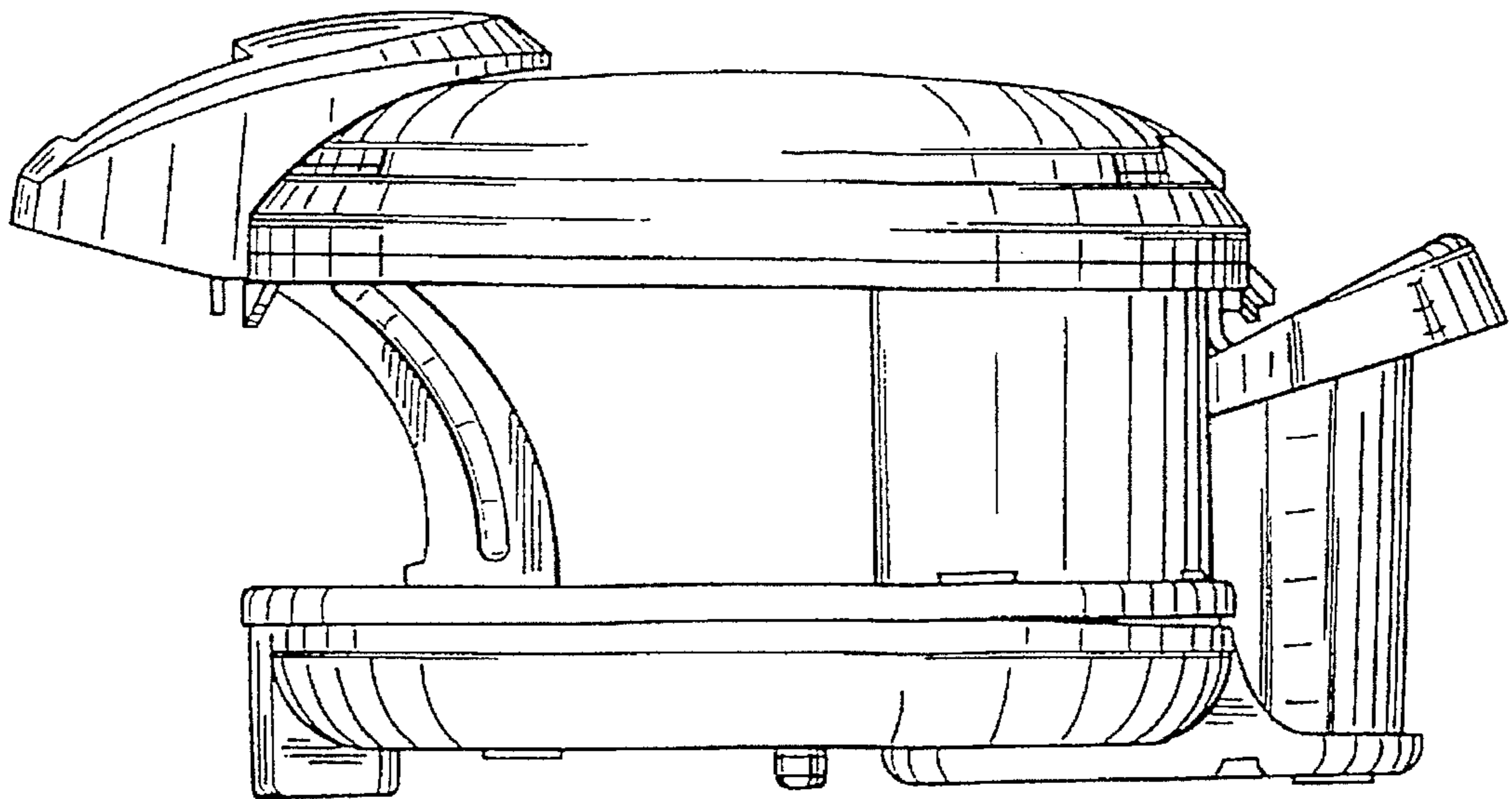


FIG. 4

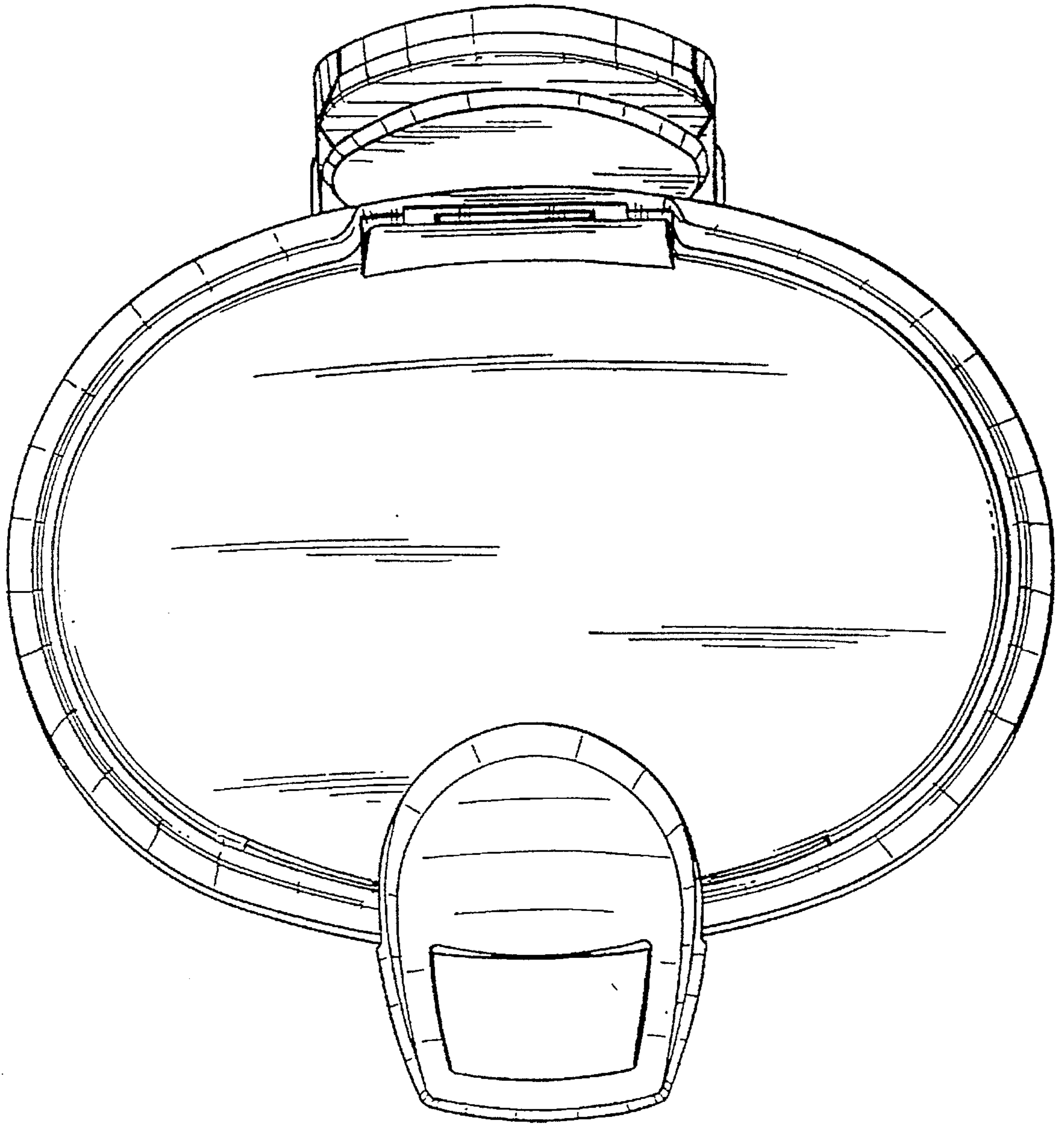


FIG. 5

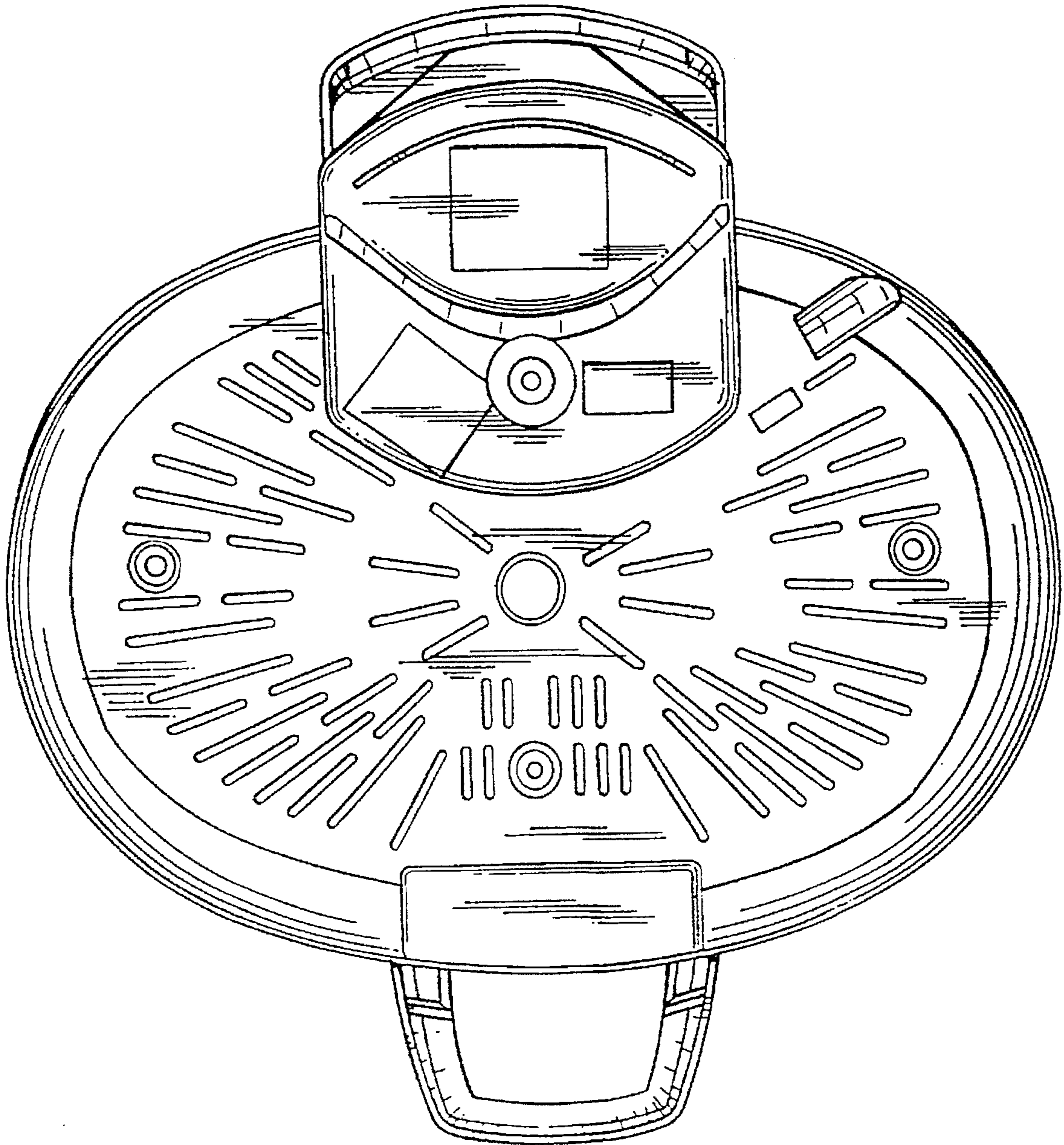


FIG. 6

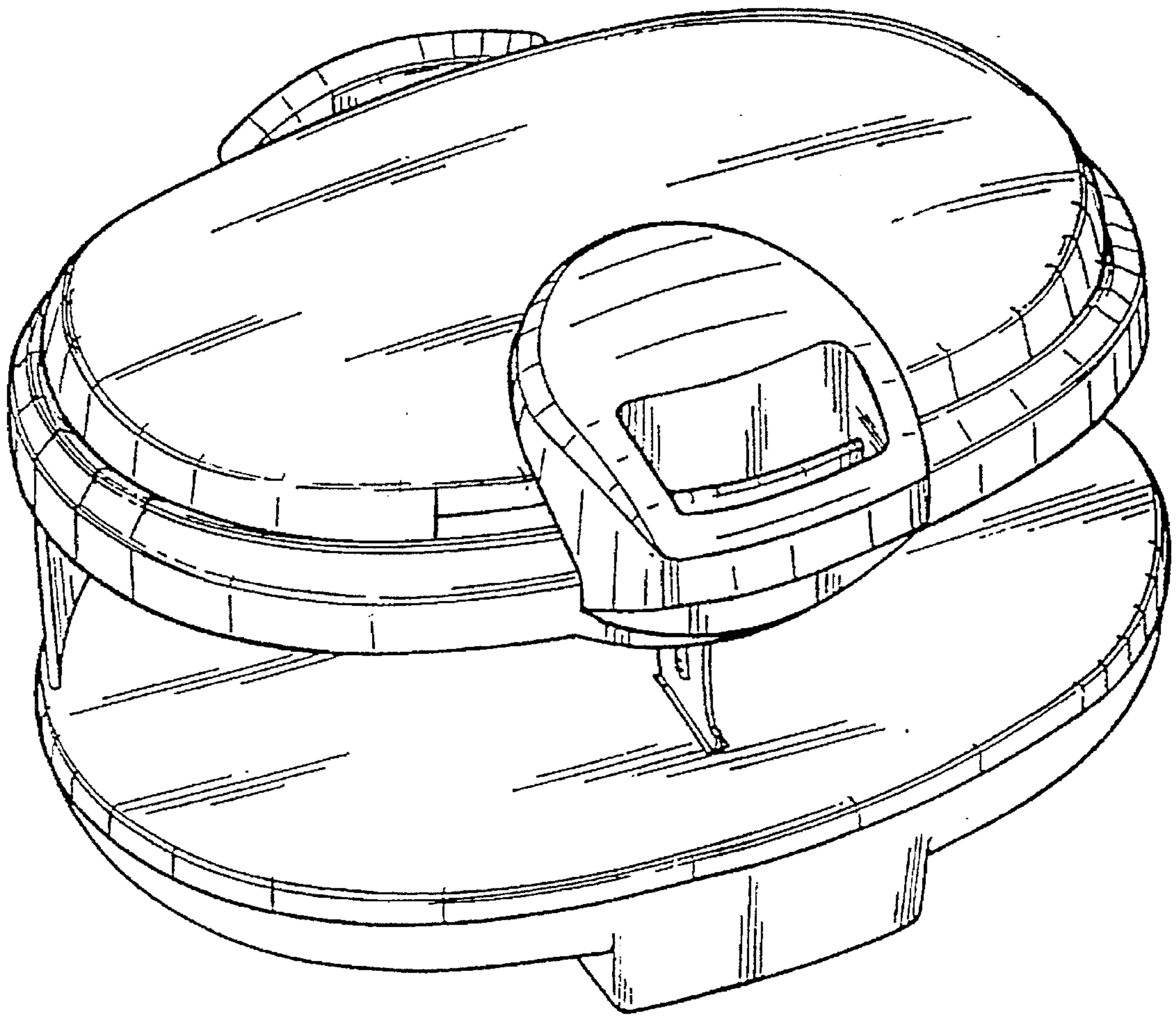


FIG. 7