



US00D379050S

United States Patent [19]
Kohanski

[11] **Patent Number:** **Des. 379,050**

[45] **Date of Patent:** ****May 6, 1997**

[54] **BOTTLED BEVERAGE DISPENSER**

4,834,250 5/1989 Dumbeck et al. D7/397 X
4,993,229 2/1991 Baus et al. D7/313 X

[76] **Inventor:** **David Kohanski**, P.O. Box 1879, Yuba City, Calif. 95992

Primary Examiner—M. N. Pandozzi
Attorney, Agent, or Firm—Harold H. Dutton, Jr.; W. Charles L. Jamison; Diane F. Liebman

[**] **Term:** **14 Years**

[21] **Appl. No.:** **47,741**

[57] **CLAIM**

[22] **Filed:** **Dec. 12, 1995**

The ornamental design for a bottled beverage dispenser, as shown and described.

[51] **LOC (6) Cl.** **07-01**

DESCRIPTION

[52] **U.S. Cl.** **D7/313; D7/397; D7/398; D7/306**

FIG. 1 is a perspective view of a bottled beverage dispenser showing my new design;
FIG. 2 is a left side view thereof; The right side is a mirror image of the left side;
FIG. 3 is a front view thereof;
FIG. 4 is a rear view thereof;
FIG. 5 is a top view thereof; and,
FIG. 6 is a bottom view thereof.

[58] **Field of Search** **D7/310, 311, 312, D7/306, 307, 308, 397, 398, 305, 313; D23/209; 222/465.1**

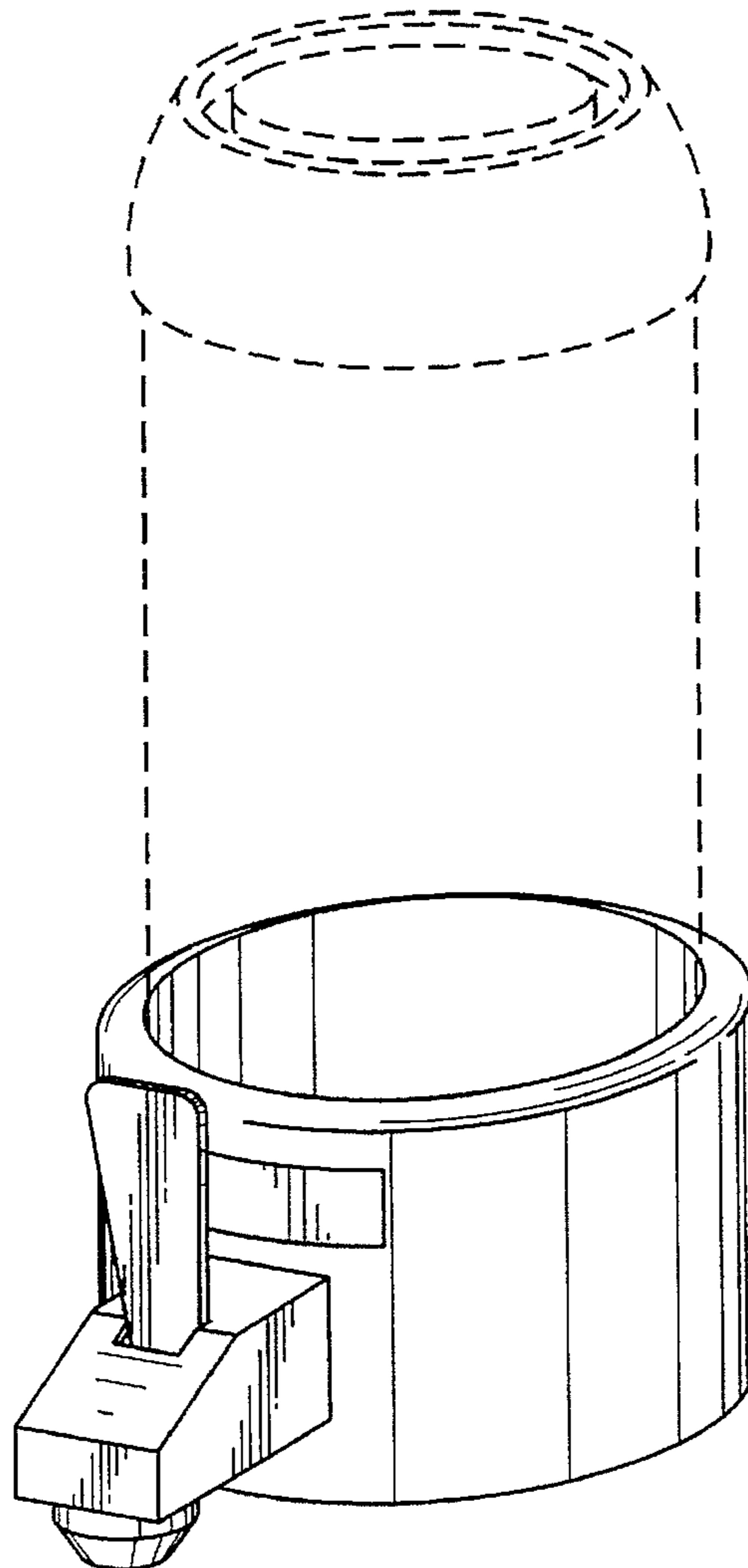
The broken line showing of a beverage bottle in FIG. 1 is for illustrative purposes only and forms no part of the claimed design.

[56] **References Cited**

U.S. PATENT DOCUMENTS

- D. 67,557 6/1925 Travis D7/313
- D. 341,986 12/1993 Futscher D7/312 X
- D. 358,289 5/1995 Thies et al. D7/313 X
- 4,145,291 3/1979 Console et al. D7/313 X
- 4,181,243 1/1980 Frahm D7/398 X

1 Claim, 3 Drawing Sheets



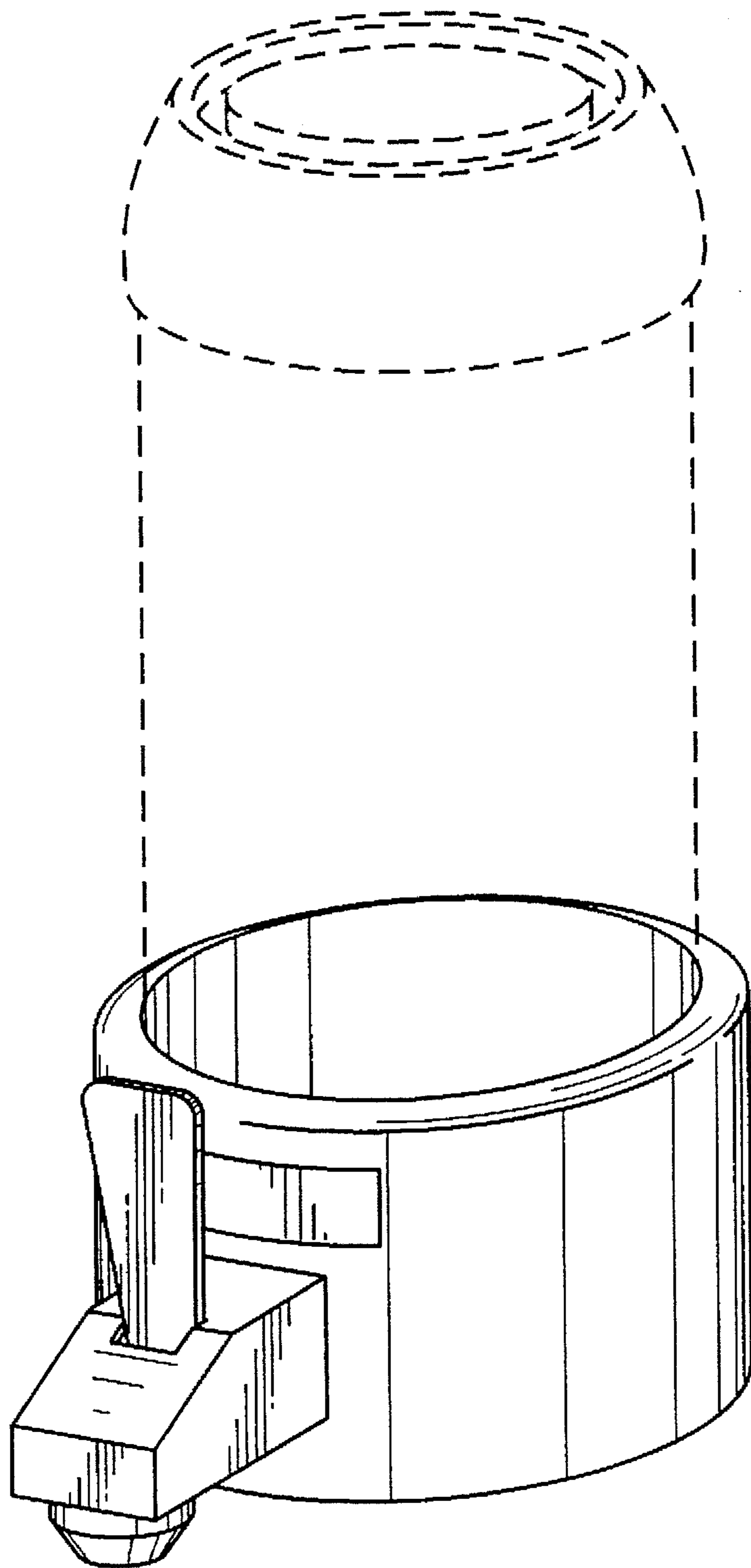


FIG. 1

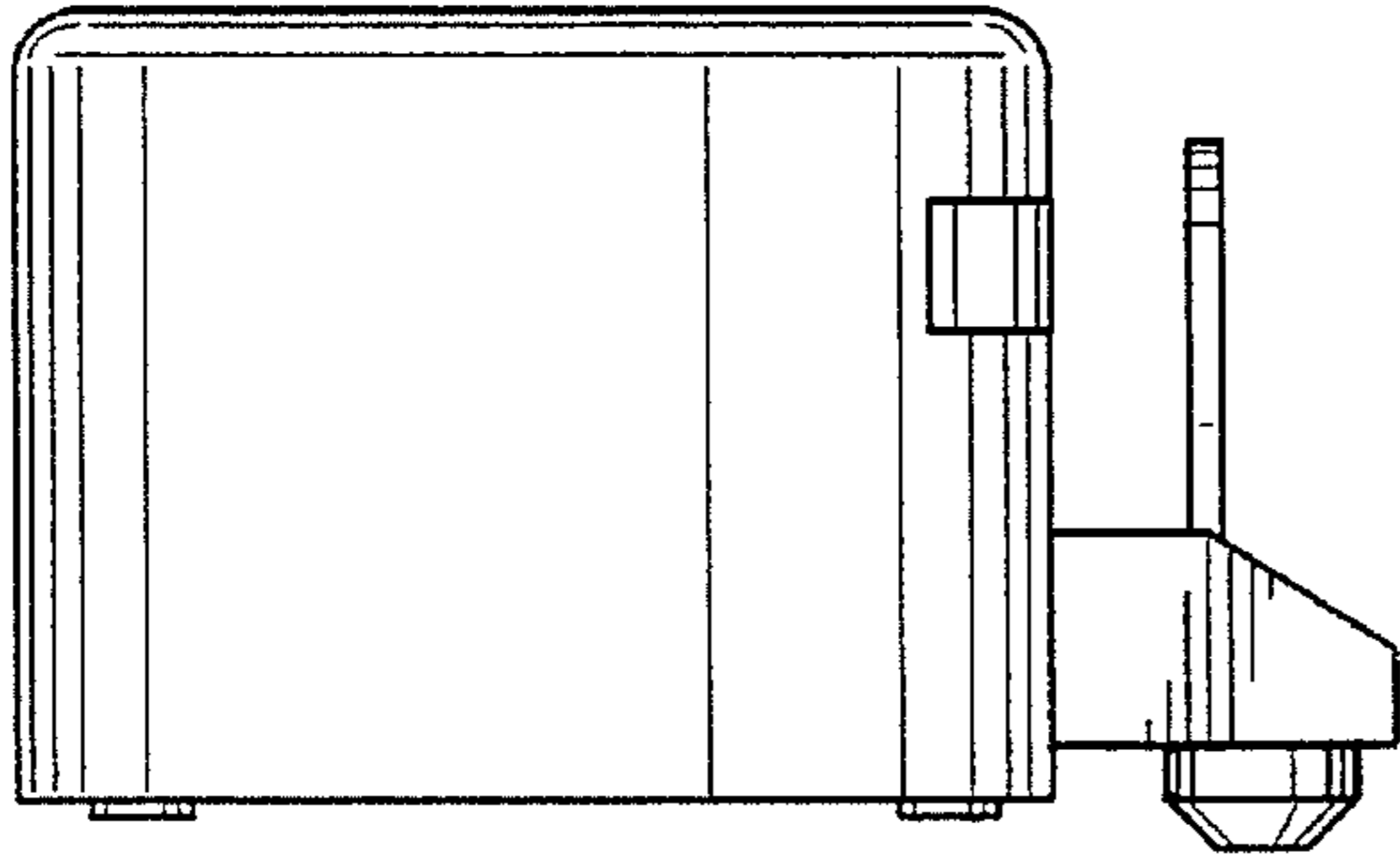


FIG. 2

FIG. 3

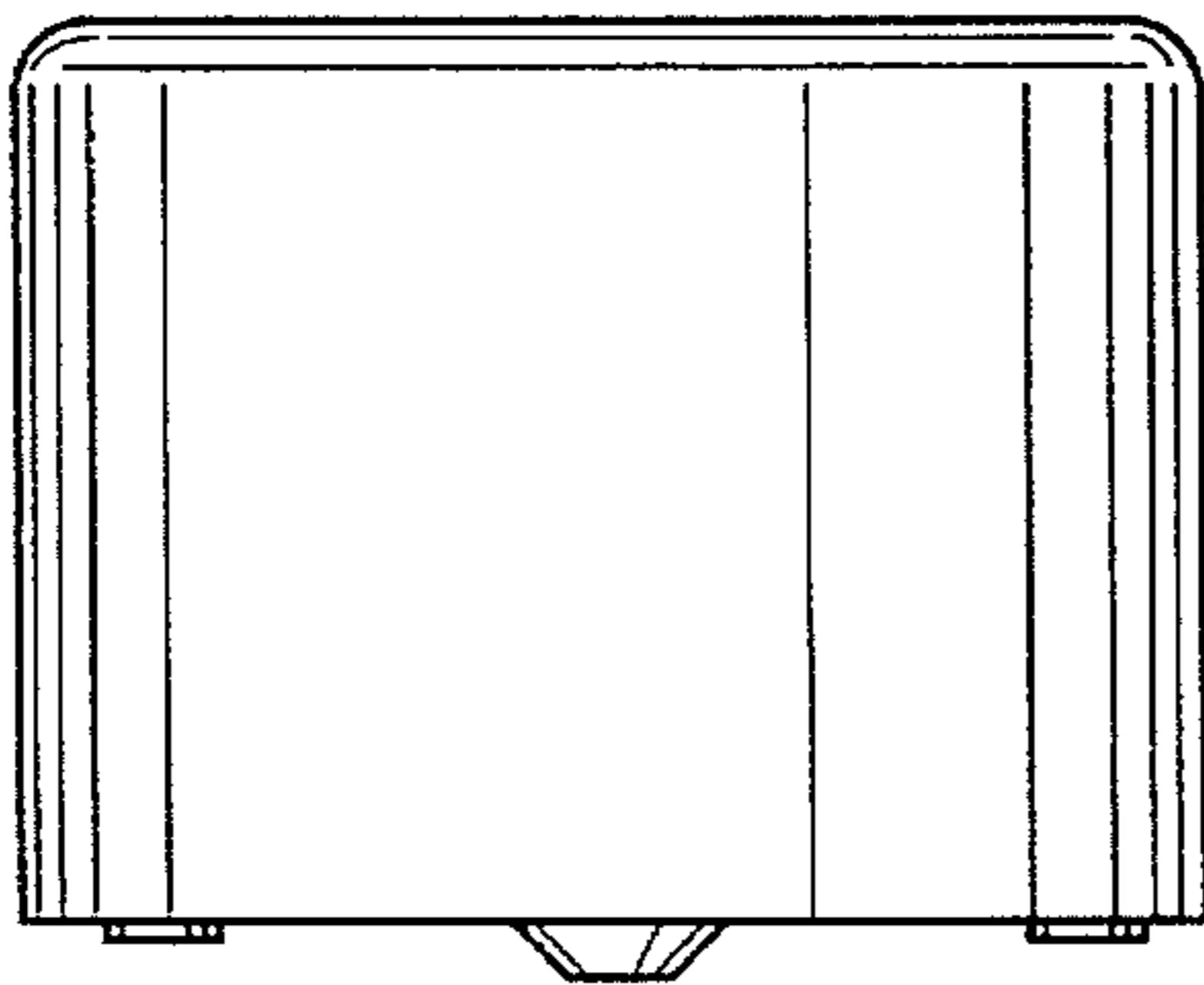
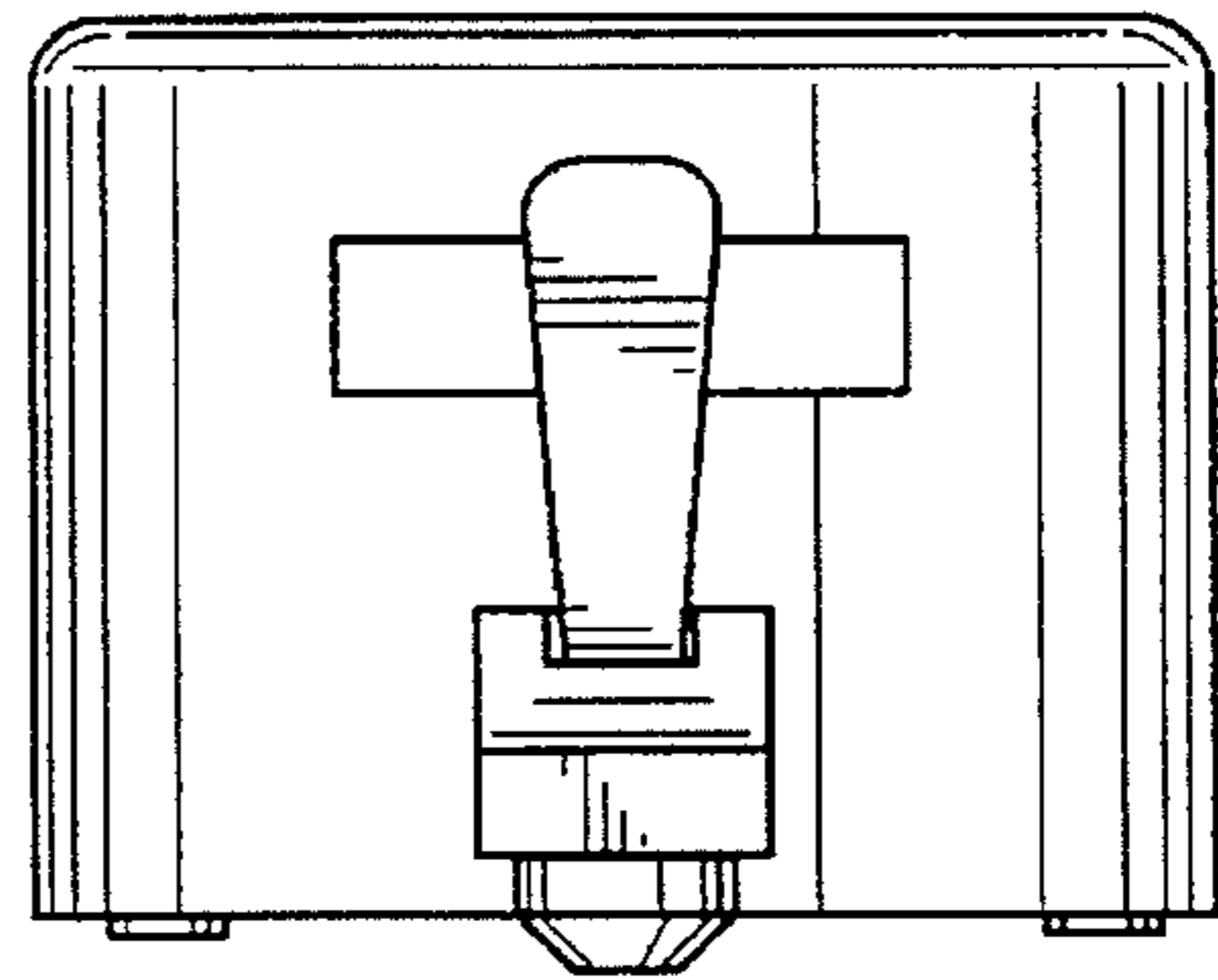


FIG. 4

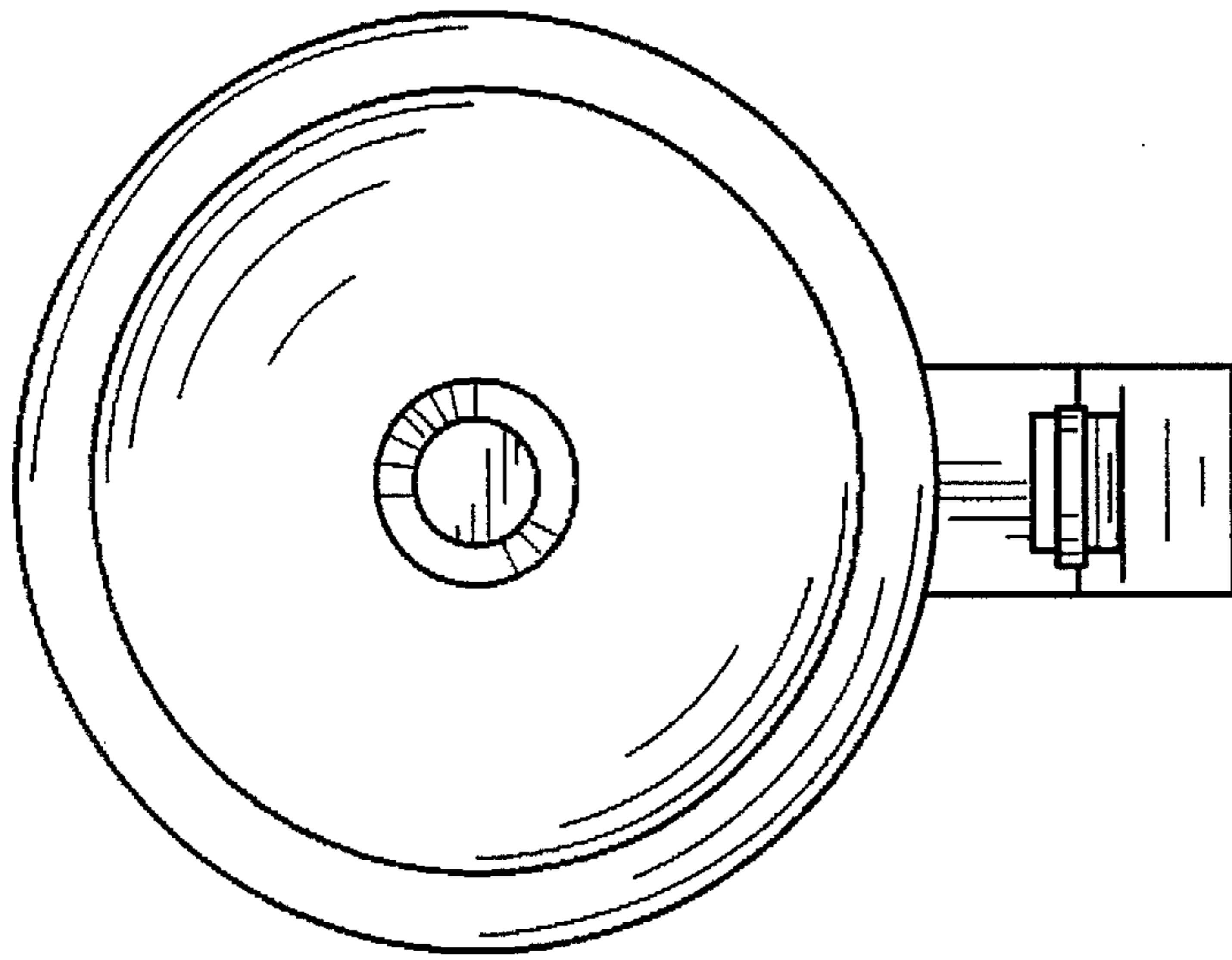


FIG. 5

FIG. 6

