



US00D379048S

# United States Patent [19]

Ros et al.

[11] Patent Number: **Des. 379,048**

[45] Date of Patent: **\*\*May 6, 1997**

[54] **CASSETTE FOR STORING FLAT ARTICLES, PARTICULARLY DATA CARRIERS**

[75] Inventors: **Johannes F. Ros, Huizen; Willem de Koning, Papendrecht, both of Netherlands**

[73] Assignees: **Office Data Europe (ODE) B.V., Almere-Haven; Kunststofffabriek P'Insigne B.V., Oud Ablas, both of Netherlands**

[\*\*] Term: **14 Years**

[21] Appl. No.: **44,910**

[22] Filed: **Oct. 3, 1995**

### [30] Foreign Application Priority Data

Apr. 5, 1995 [XH] Hague Agreement ..... DM/032667

[51] LOC (6) Cl. .... **06-04**

[52] U.S. Cl. .... **D6/634; D6/632; D6/407**

[58] Field of Search ..... D6/407, 626-635; D14/120, 121; D9/432; 206/308, 308.1, 308.2, 308.3, 309, 310, 311, 312, 387.1

### [56] References Cited

#### U.S. PATENT DOCUMENTS

D. 257,190 10/1980 Posso ..... D6/634  
3,763,994 10/1973 Somers ..... 206/387.1

3,909,088 9/1975 Dennehey et al. .... 206/387.1  
4,253,586 3/1981 Long et al. .... 206/387.1  
5,099,995 3/1992 Karakane et al. .... 206/308.1  
5,184,722 2/1993 Shin et al. .... 206/387.1

#### FOREIGN PATENT DOCUMENTS

1143A1 3/1979 European Pat. Off. .... 206/387.1  
357050362A 3/1982 Japan ..... 206/387.1

*Primary Examiner*—Louis S. Zarfes  
*Assistant Examiner*—G. Andoli  
*Attorney, Agent, or Firm*—Marshall, O'Toole, Gerstein, Murray & Borun

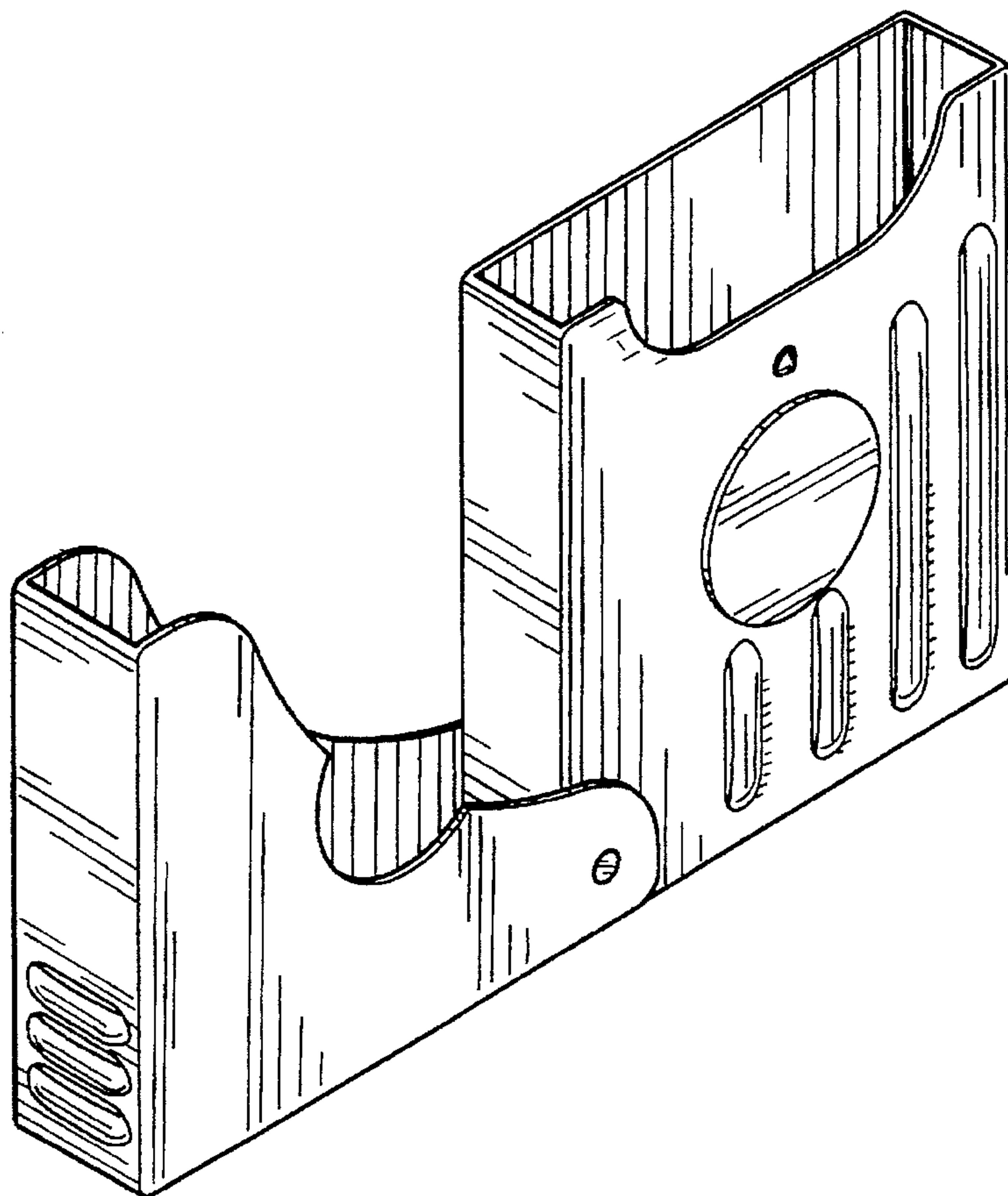
### [57] CLAIM

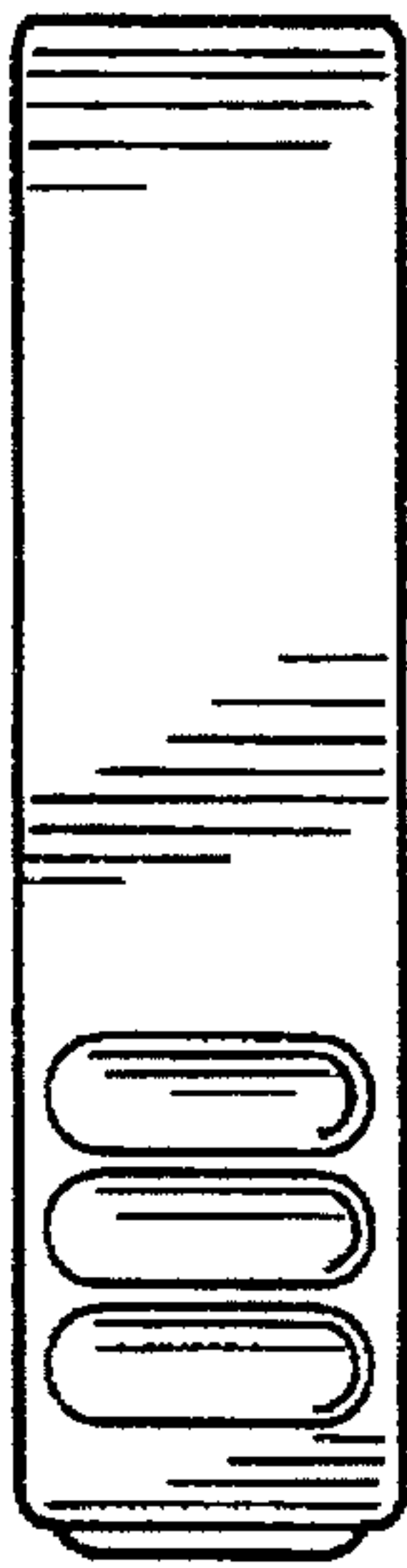
The ornamental design for a cassette for storing flat articles, particularly data carriers, as shown and described.

### DESCRIPTION

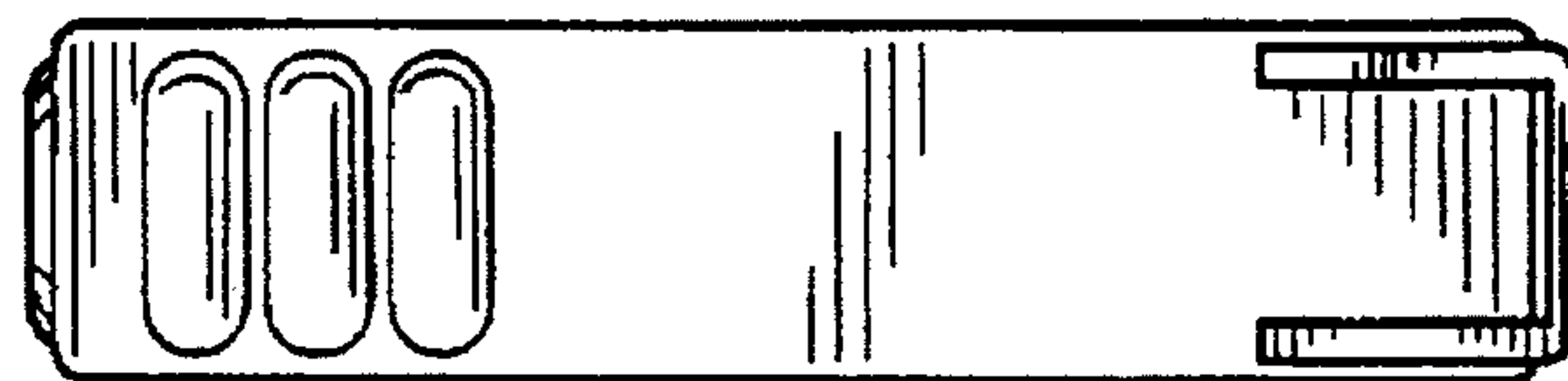
FIG. 1 is a left side elevational view of a cassette for storing flat articles, particularly data carriers, showing our new design;  
FIG. 2 is a front view thereof;  
FIG. 3 is a right side view thereof;  
FIG. 4 is a rear view thereof;  
FIG. 5 is a top view thereof;  
FIG. 6 is a bottom view thereof; and,  
FIG. 7 is a perspective view thereof showing the design in the open position.

**1 Claim, 2 Drawing Sheets**

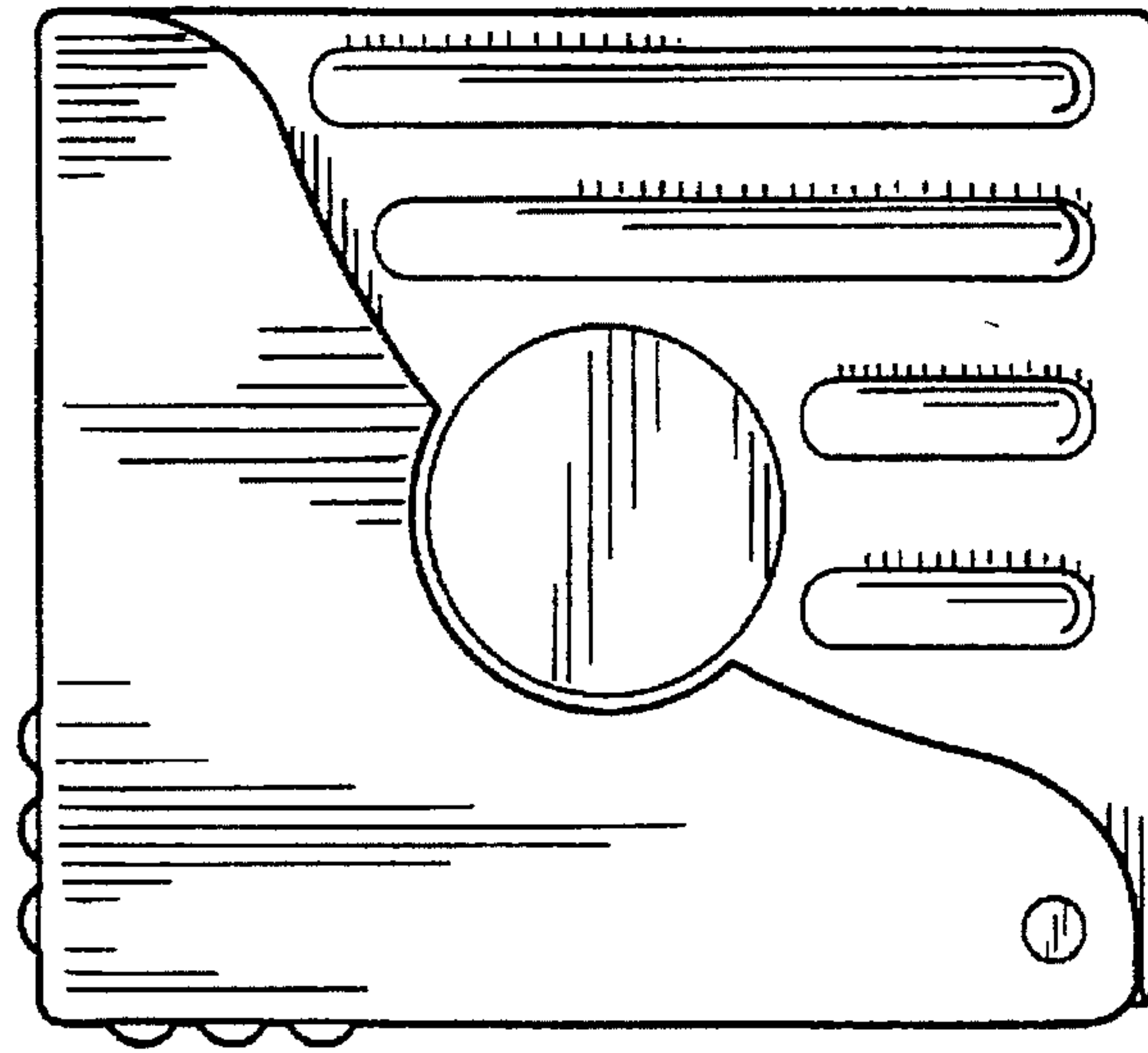




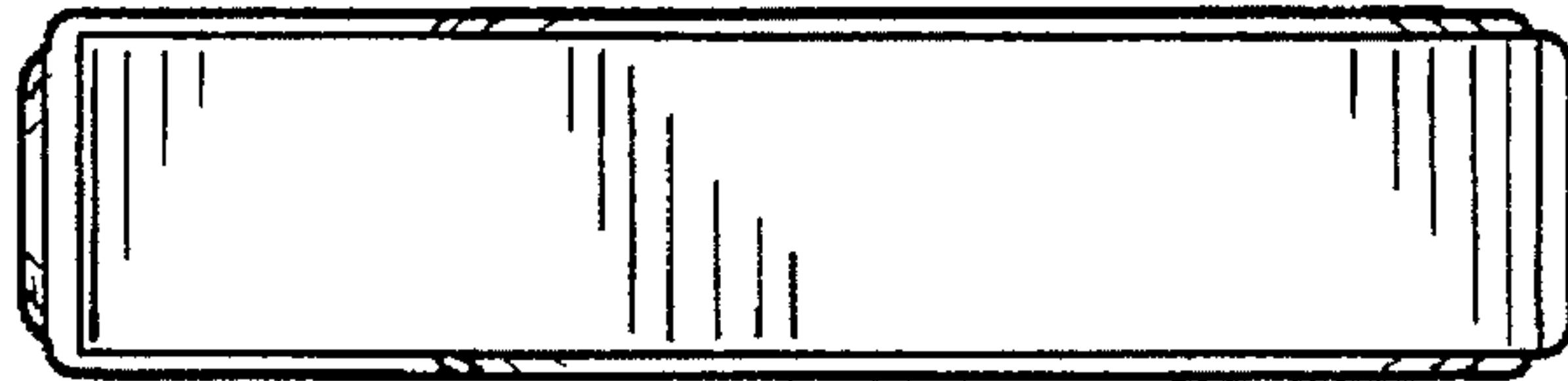
*Fig. 5*



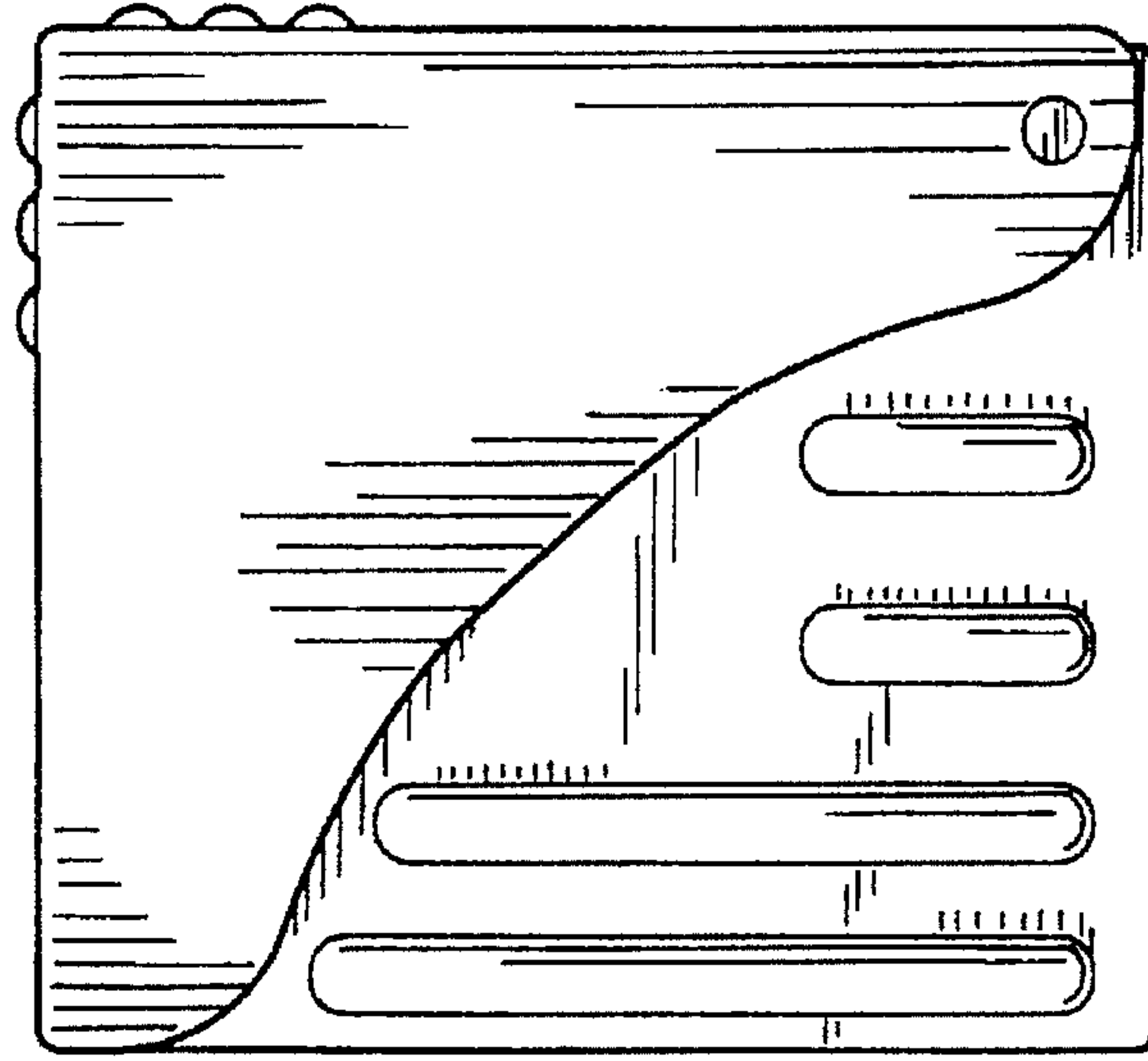
*Fig. 1*



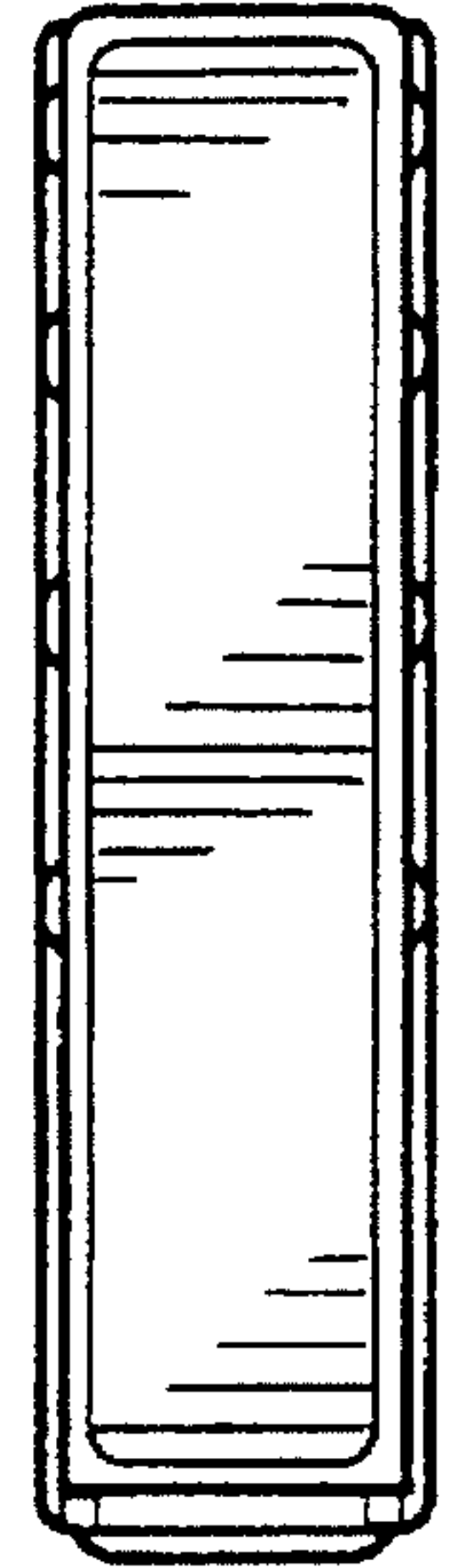
*Fig. 2*



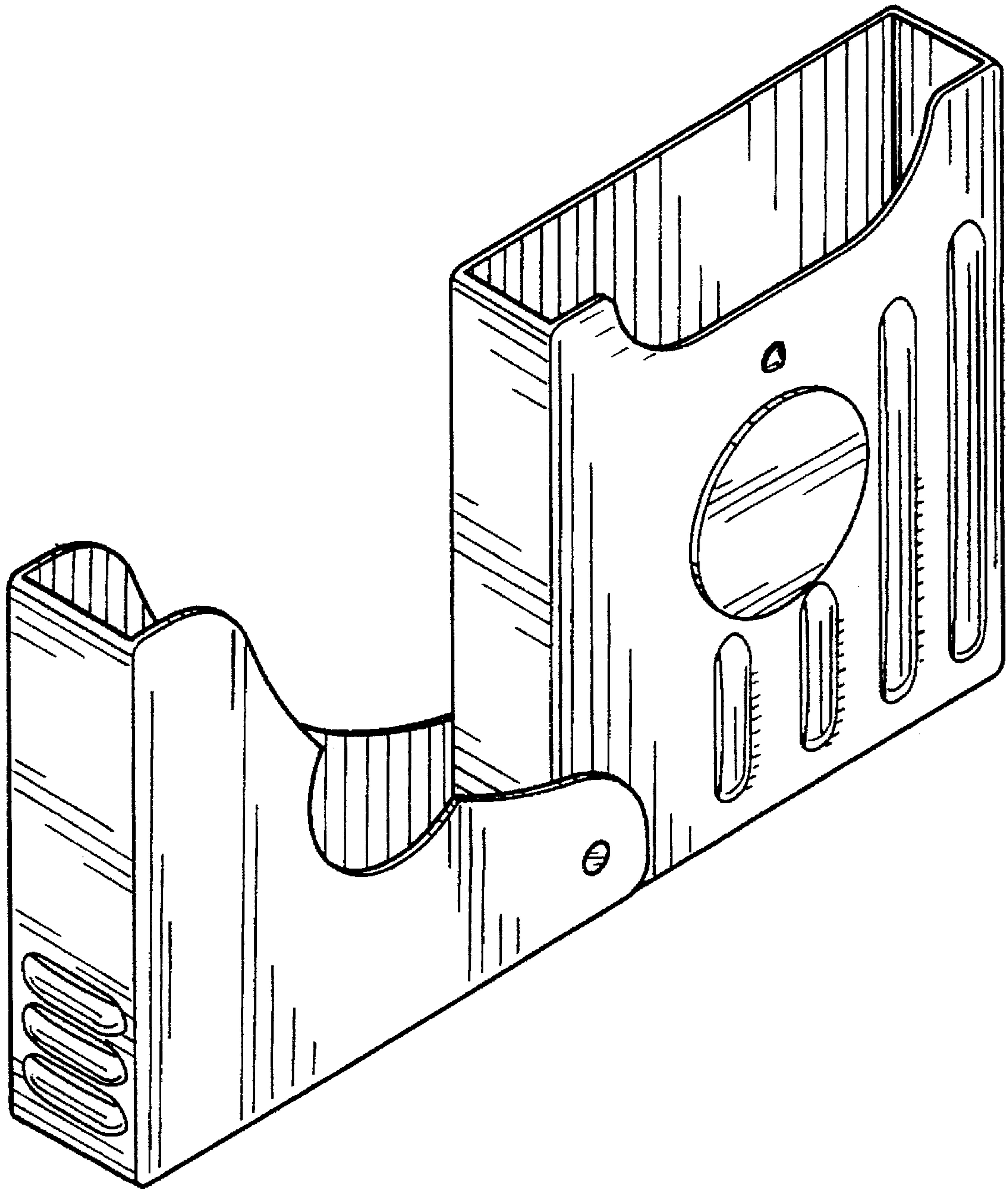
*Fig. 3*



*Fig. 4*



*Fig. 6*



*Fig. 7*