



US00D379046S

United States Patent [19]

[11] Patent Number: **Des. 379,046**

LaPlante, Sr.

[45] Date of Patent: ****May 6, 1997**

[54] **GOLF CLUB HEAD HANGER TOP** 3,053,298 9/1962 Stamp 150/1.5
 3,967,667 7/1976 Robinson 150/1.5 R
 4,852,896 8/1989 Mills 280/47.18

[76] Inventor: **Jimmy A. LaPlante, Sr.**, 732 - 18th Ave., Clarkston, Wash. 99403

[**] Term: **14 Years**

[21] Appl. No.: **48,461**

[22] Filed: **Dec. 29, 1995**

[51] LOC (6) Cl. **08-08**

[52] U.S. Cl. **D6/552**

[58] Field of Search D6/552, 567, 534; D21/223; 211/13, 60.1, 62-66, 68-69, 70.5, 70.6, 70.7, 86-89; 206/315.1, 315.2; 248/309.1, 314

Primary Examiner—Brian N. Vinson
Attorney, Agent, or Firm—Wells, St. John, Roberts, Gregory & Matkin, P.S.

[57] CLAIM

The ornamental design for a golf club head hanger top, as shown and described.

DESCRIPTION

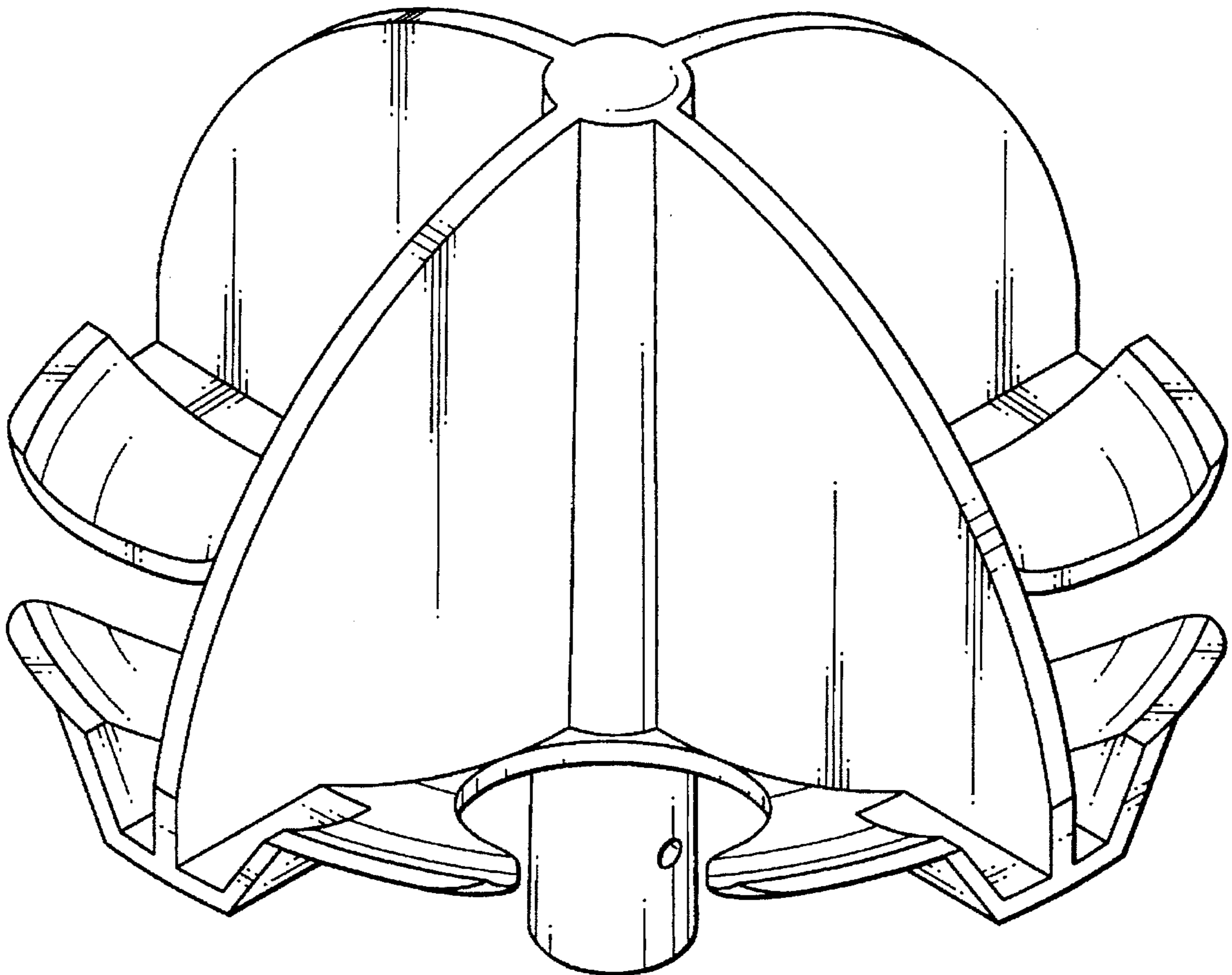
FIG. 1 is a perspective view of a golf club head hanger top showing my new design;
 FIG. 2 is a top plan view thereof;
 FIG. 3 is a side elevation view thereof as seen from the right in FIG. 1;
 FIG. 4 is a bottom plan view thereof; and,
 FIG. 5 is a side elevation view thereof opposite to the side shown in FIG. 3.

[56] References Cited

U.S. PATENT DOCUMENTS

D. 278,777 5/1985 Martin D6/534
 D. 356,002 3/1995 Morgan D6/552
 D. 371,480 7/1996 Seng D6/552

1 Claim, 3 Drawing Sheets



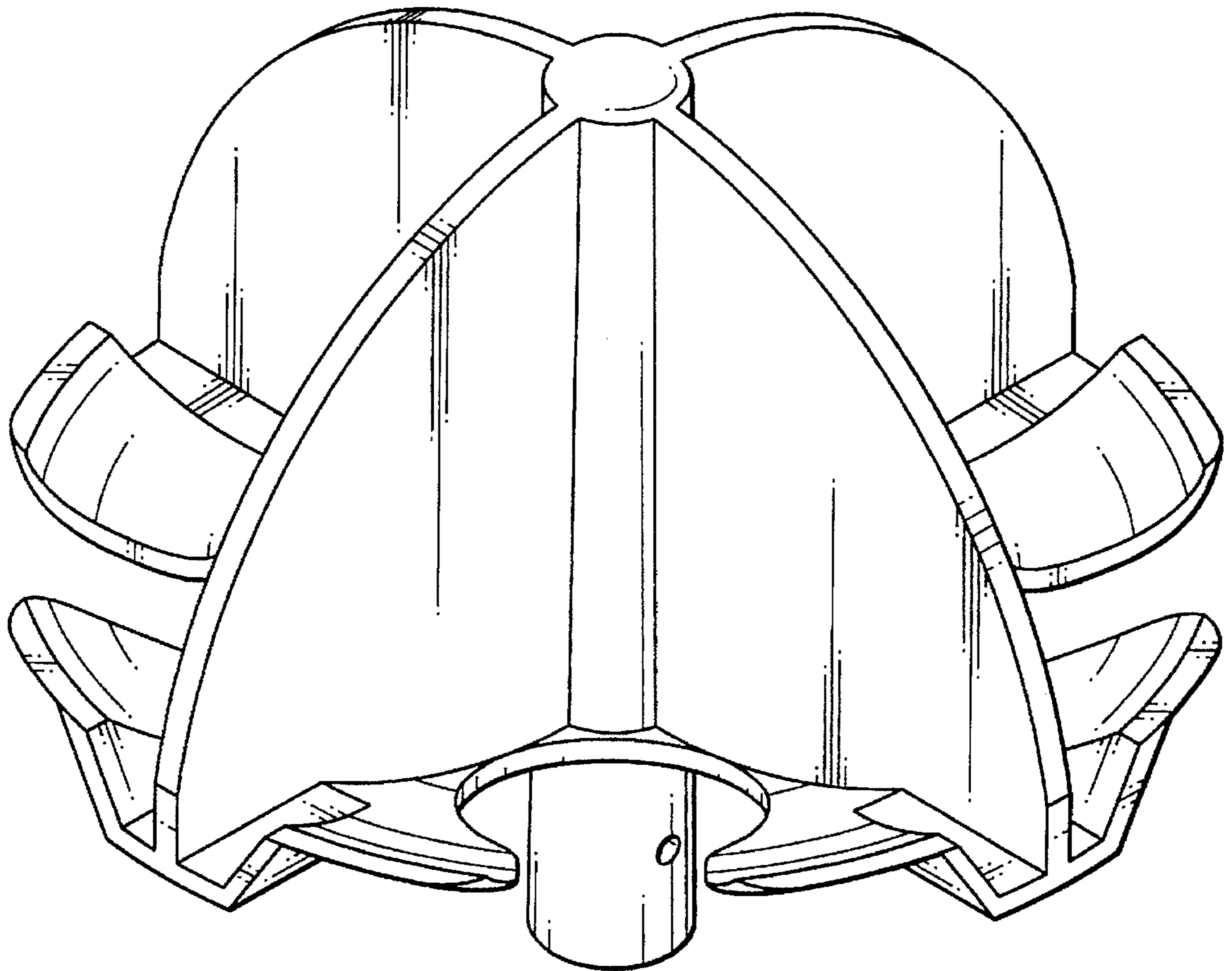


FIG. 1

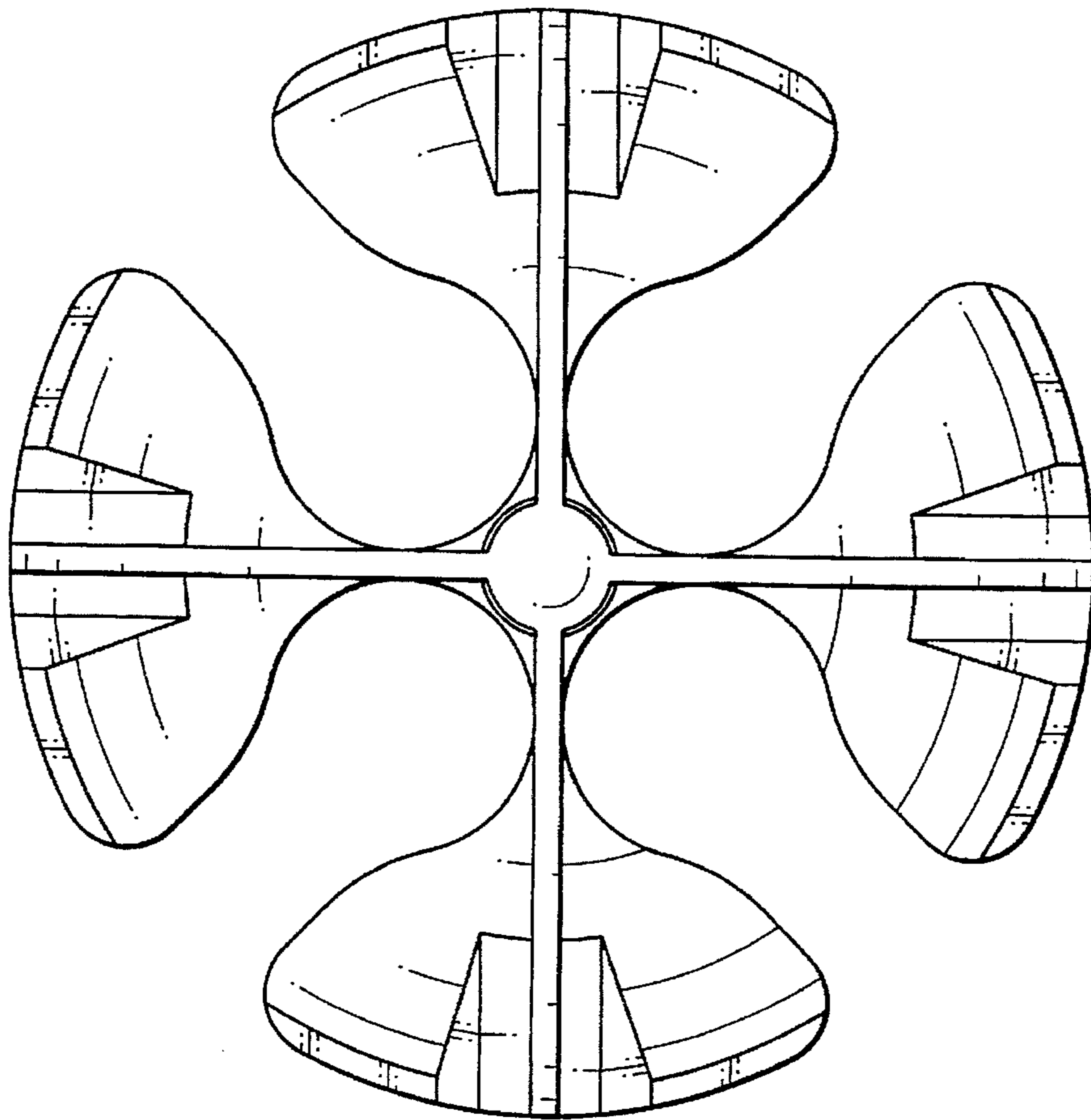


FIG. 2

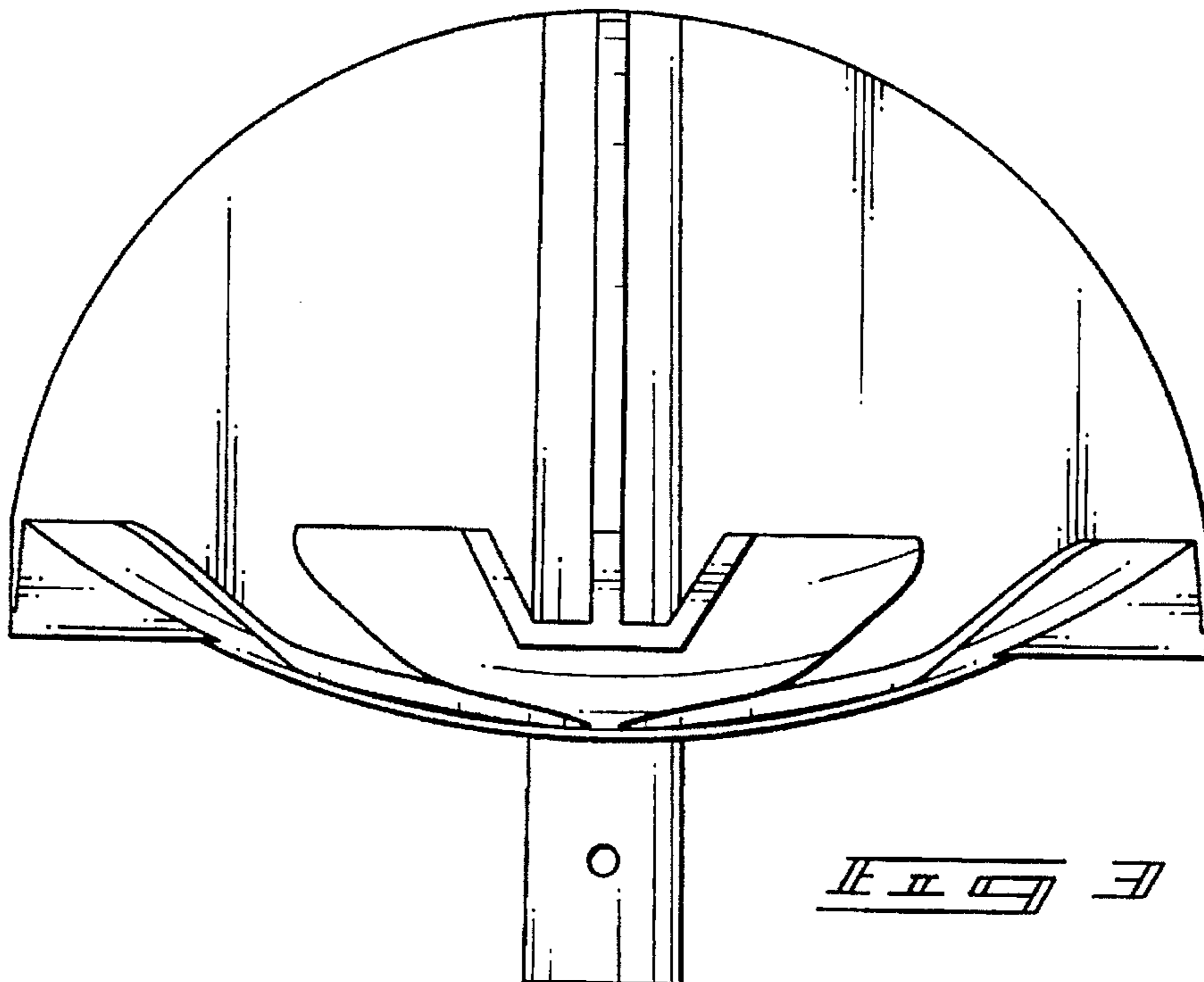


FIG. 3

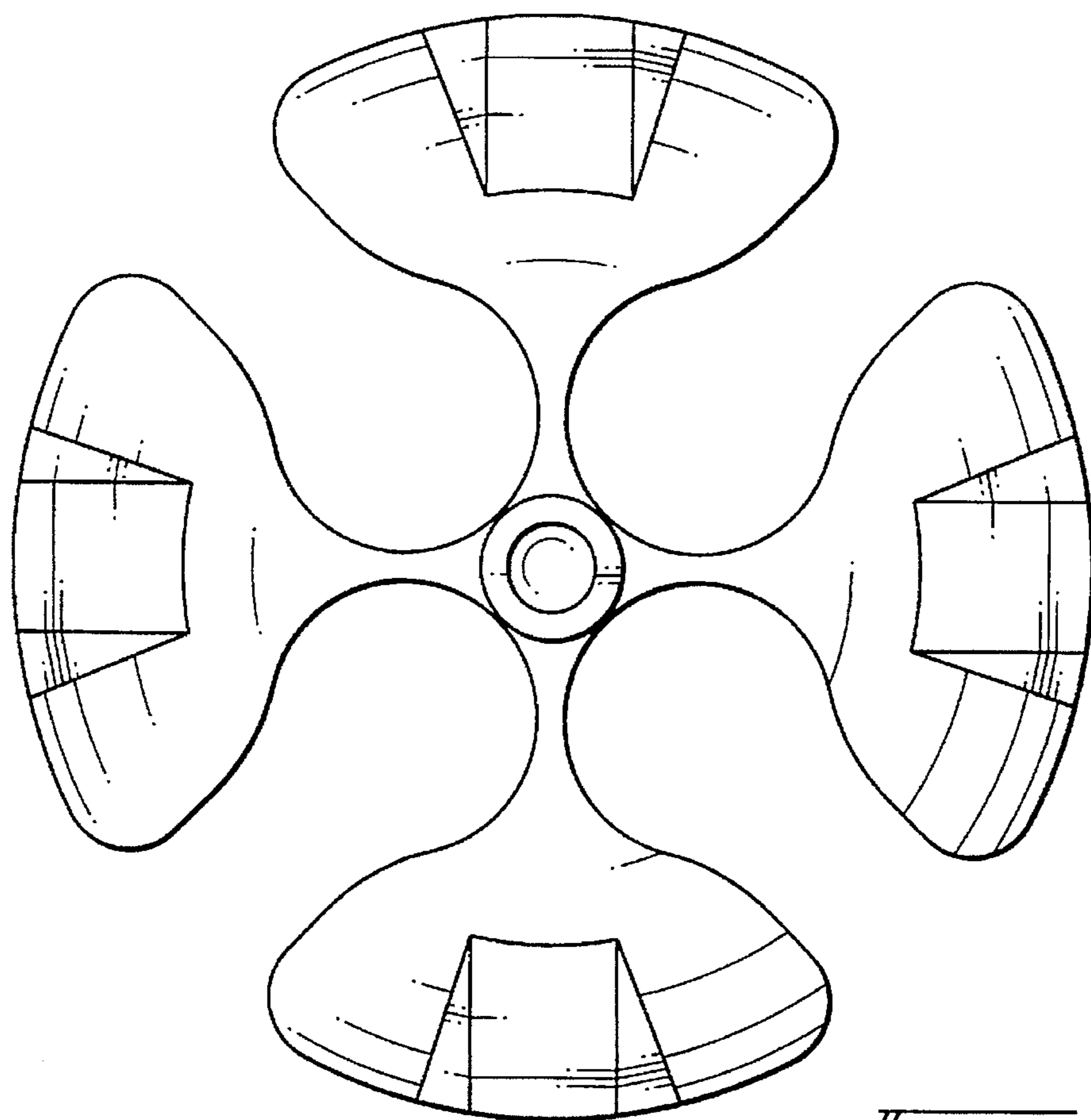


Fig. 4

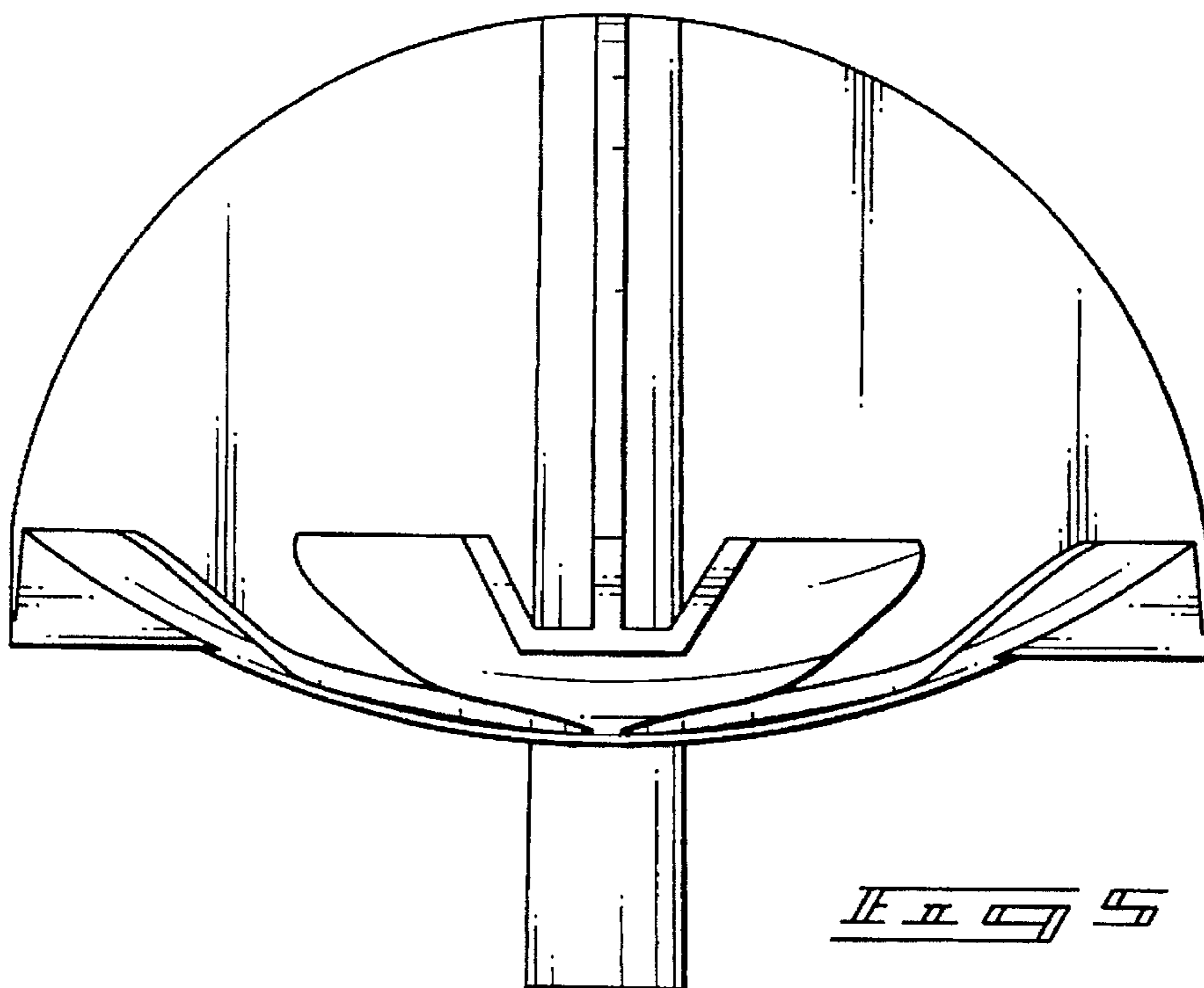


Fig. 5