



US00D379042S

# United States Patent [19]

Meisner et al.

[11] Patent Number: Des. 379,042

[45] Date of Patent: \*\*May 6, 1997

[54] **WORKBENCH UNIVERSAL DRAWER ACCESSORY**

[75] Inventors: **Edward H. Meisner**, Short Hills, N.J.;  
**Keith C. Kristiansen**, Stratford, Conn.;  
**John E. Kiely**, Morristown, N.J.;  
**Murray Hunter**, Smiths Falls, Canada

[73] Assignee: **Black & Decker Inc.**, Newark, Del.

[\*\*] Term: **14 Years**

[21] Appl. No.: **42,527**

[22] Filed: **Aug. 11, 1995**

[51] LOC (6) Cl. .... **06-04**

[52] U.S. Cl. .... **D6/510; D8/71**

[58] Field of Search ..... D6/407, 436, 467, D6/473, 474, 476, 510, 629, 400, 430, 574; D19/75, 86, 92; 206/373; D7/558; D24/128; 211/153, 74; 312/291, 308, 348.3, 902; 108/90, 25, 44, 26; D8/71

## [56] References Cited

### U.S. PATENT DOCUMENTS

- D. 256,809 9/1980 Evenson ..... D19/75
- D. 330,219 10/1992 Carlson et al. .... D19/75 X
- D. 344,663 3/1994 Balzen ..... D8/71
- D. 347,155 5/1994 Schlack et al. .
- 686,271 11/1901 Dillenbeck et al. .
- 1,323,915 12/1919 Schmitt .
- 1,373,526 4/1921 Price et al. .
- 2,637,358 4/1953 Larson .
- 3,615,087 10/1971 Hickman .
- 3,643,935 2/1972 Bell .
- 3,841,619 10/1974 Hickman .
- 3,851,756 12/1974 Brown .
- 4,076,229 2/1978 Hickman .
- 4,122,956 10/1978 Hargrove .
- 4,154,435 5/1979 Alessio .
- 4,155,386 5/1979 Alessio .
- 4,239,195 12/1980 Oltman et al. .
- 4,276,955 7/1981 Hickman .
- 4,278,243 7/1981 Alessio .
- 4,475,727 10/1984 Goulter .
- 4,527,786 7/1985 Hsu .

- 4,542,924 9/1985 Brown et al. .
- 4,555,099 11/1985 Hilton .
- 4,647,028 3/1987 Yang .
- 4,730,731 3/1988 Allison .
- 4,757,849 7/1988 Morris .
- 4,874,025 10/1989 Cleveland .
- 4,909,491 3/1990 Cheng .
- 4,925,041 5/1990 Pehr .
- 4,985,962 1/1991 Weber .
- 5,065,989 11/1991 Ho .

(List continued on next page.)

### FOREIGN PATENT DOCUMENTS

- 7530441 4/1976 France .
- 2655031A1 6/1978 Germany .
- 8702845 6/1989 Netherlands .
- 2164599 3/1986 United Kingdom .
- 2233885 1/1991 United Kingdom .
- 2267674 12/1993 United Kingdom .

*Primary Examiner*—James Gandy  
*Assistant Examiner*—Linda Brooks  
*Attorney, Agent, or Firm*—Harness, Dickey & Pierce, P.L.C.

## [57] CLAIM

The ornamental design for a workbench universal drawer accessory, as shown and described.

### DESCRIPTION

FIG. 1 is a perspective view of the design for a workbench universal drawer accessory according to the present invention;

FIG. 2 is an enlarged front elevational view of the drawer accessory shown in FIG. 1;

FIG. 3 is an enlarged left side elevational view of the drawer accessory shown in FIG. 1;

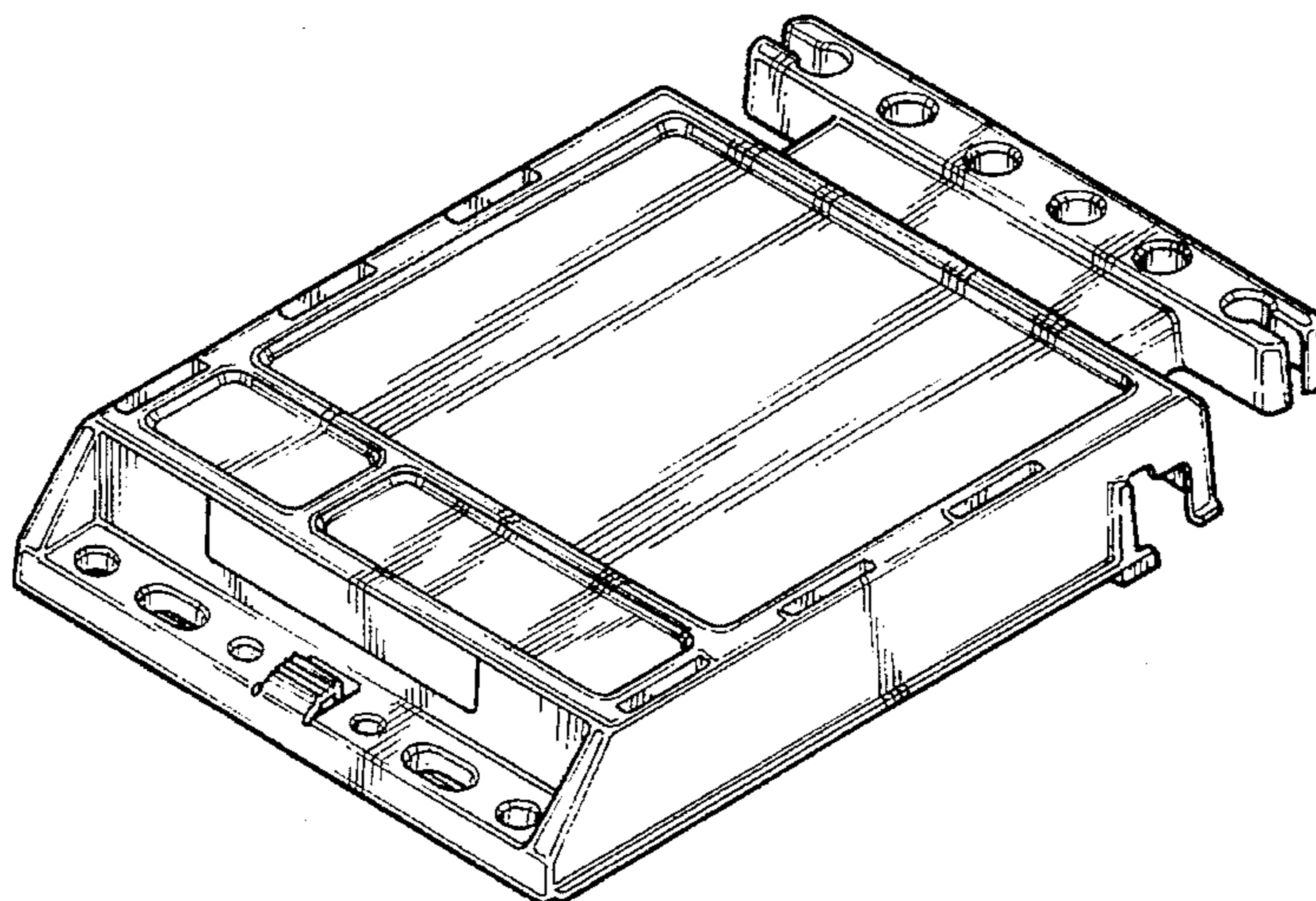
FIG. 4 is an enlarged right side elevational view of the drawer accessory shown in FIG. 1;

FIG. 5 is an enlarged rear elevational view of the drawer accessory shown in FIG. 1;

FIG. 6 is an enlarged top plan view of the drawer accessory shown in FIG. 1; and,

FIG. 7 is an enlarged bottom plan view of the drawer accessory shown in FIG. 1.

1 Claim, 4 Drawing Sheets



U.S. PATENT DOCUMENTS

5,067,535	11/1991	Wolff .	5,135,036	8/1992	Caron .	
5,100,015	3/1992	Vanderstuyf .	5,147,038	9/1992	Pergeau .....	206/373
5,114,007	5/1992	Chen .....	5,158,329	10/1992	Schlack .	
5,121,952	6/1992	Jason .	5,213,913	5/1993	Anthony, III et al. .	
			5,443,311	8/1995	Kadleck et al. ....	108/90 X

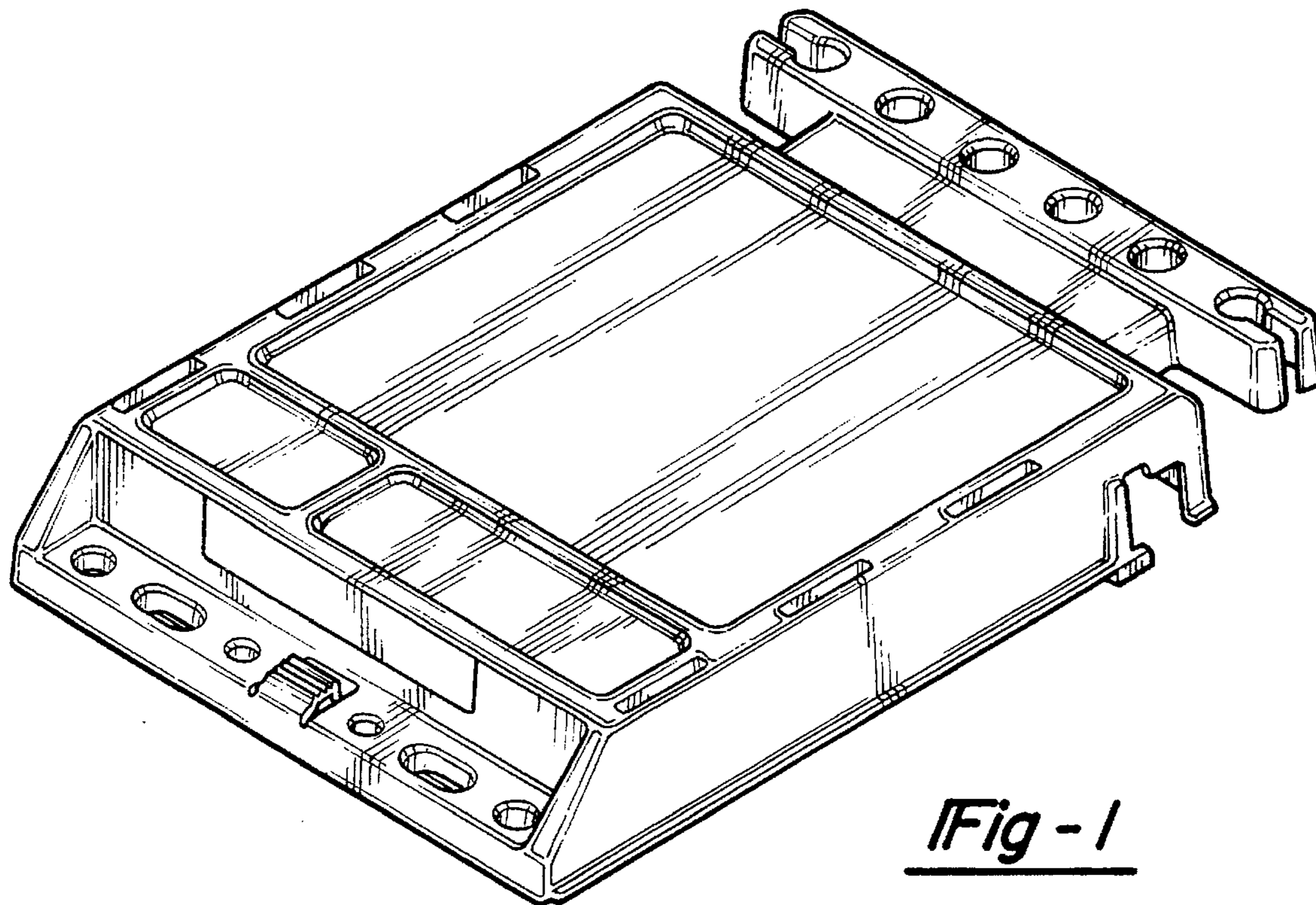


Fig - 1

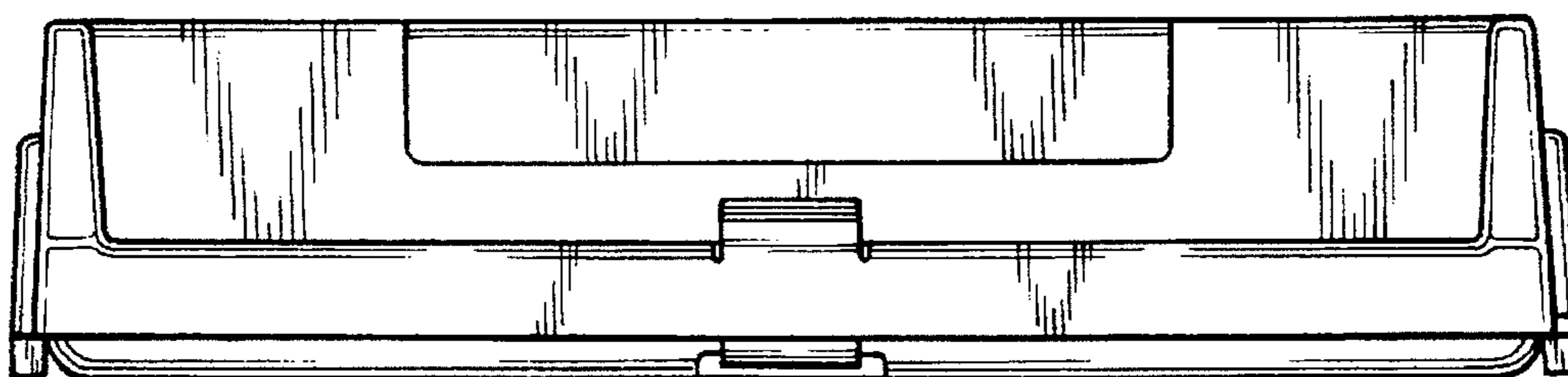


Fig - 2

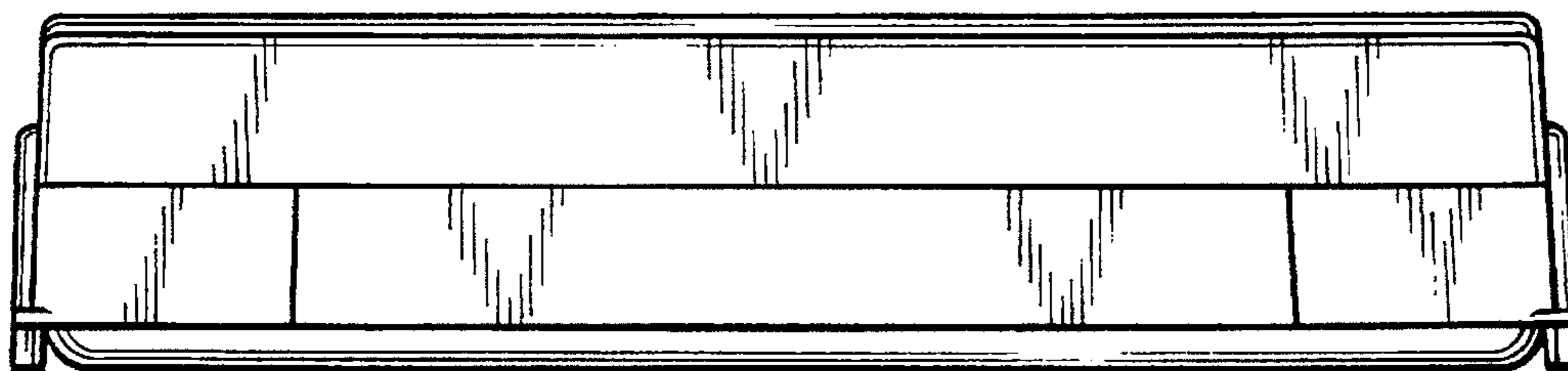


Fig - 5

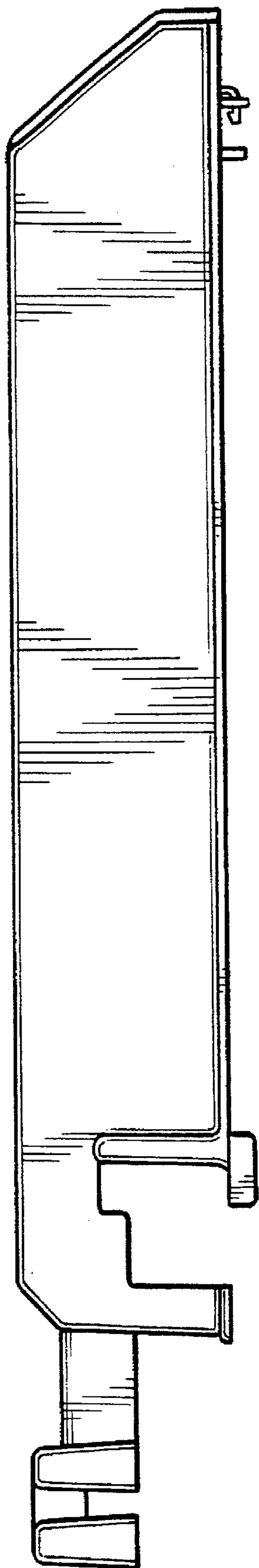


Fig - 3

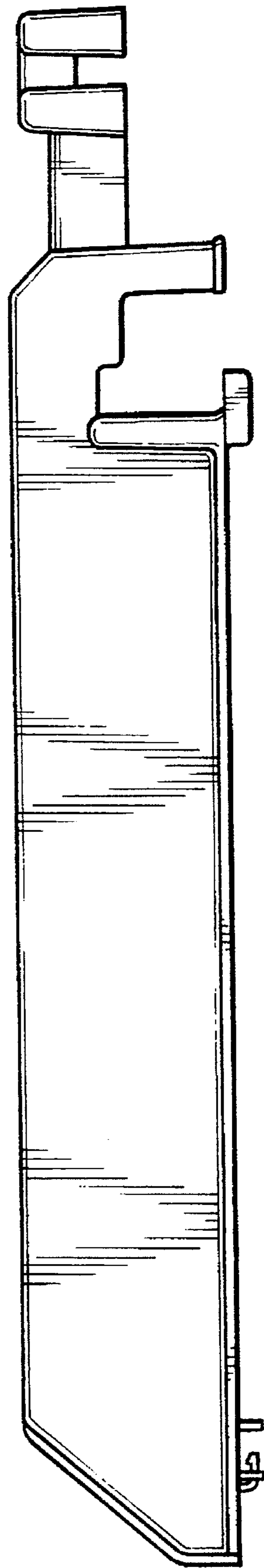


Fig - 4

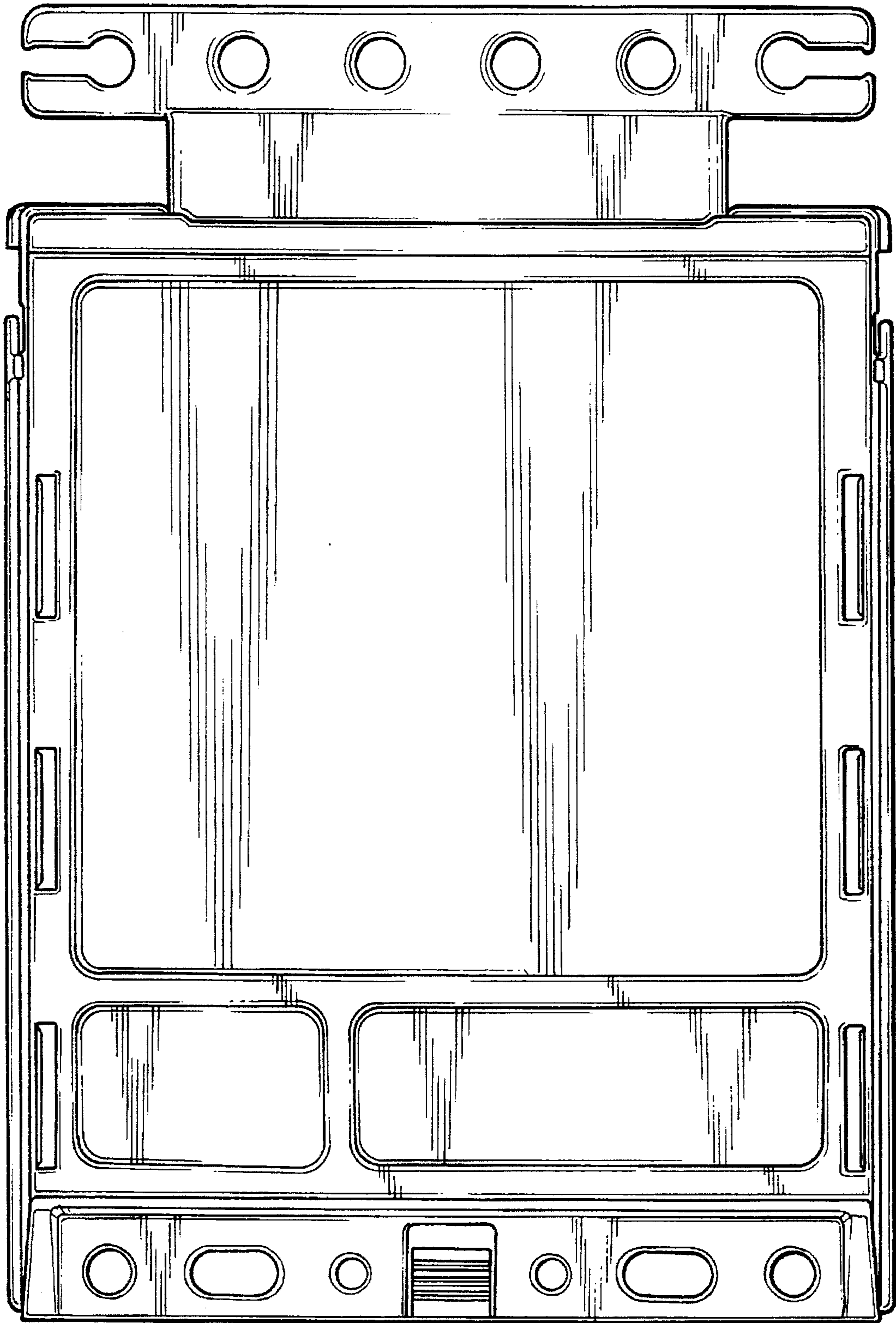


Fig - 6

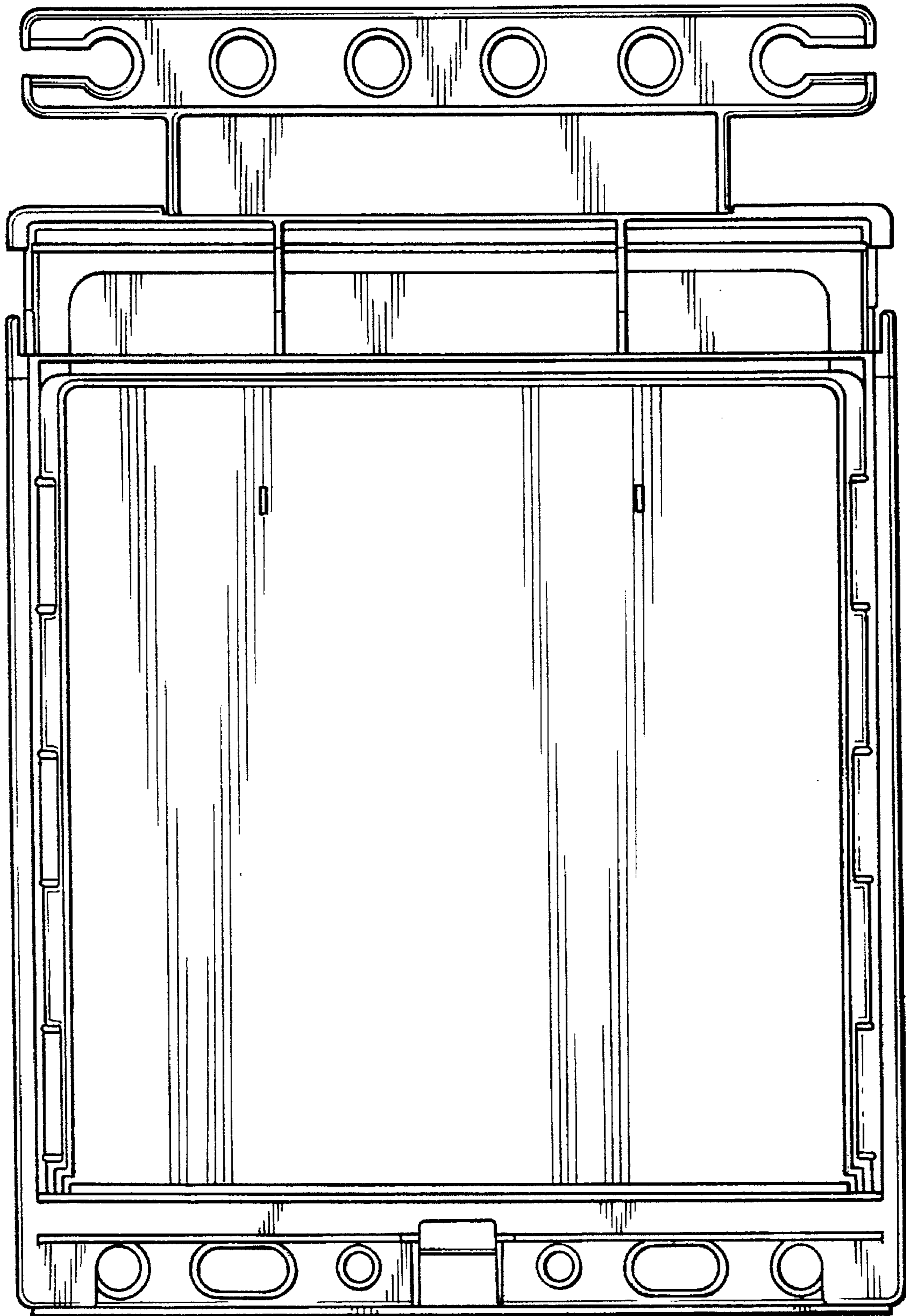


Fig-7