



US00D379038S

United States Patent [19]
Yeh

[11] **Patent Number:** **Des. 379,038**
[45] **Date of Patent:** ****May 6, 1997**

[54] **NIGHT TABLE**

[76] **Inventor:** **John Yeh**, 660 S. Aberdeen, Anaheim Hills, Calif. 92807

[**] **Term:** **14 Years**

[21] **Appl. No.:** **47,001**

[22] **Filed:** **Nov. 24, 1995**

[51] **LOC (6) Cl.** **06-03**

[52] **U.S. Cl.** **D6/487; D6/376**

[58] **Field of Search** D6/480-489, 495, D6/499, 451, 376, 370, 380; 108/184, 153, 156, 157, 161; 248/188, 188.1

[56] **References Cited**

U.S. PATENT DOCUMENTS

- D. 238,129 12/1975 Jay D6/484
- D. 270,410 9/1983 Sogoian D6/480
- D. 335,056 4/1993 Ma D6/487

OTHER PUBLICATIONS

Lyon-Shaw 1990-1991, p. 3, NP24 RGC table at top right.

Primary Examiner—Janice E. Seeger
Attorney, Agent, or Firm—Francis X. LoJacono

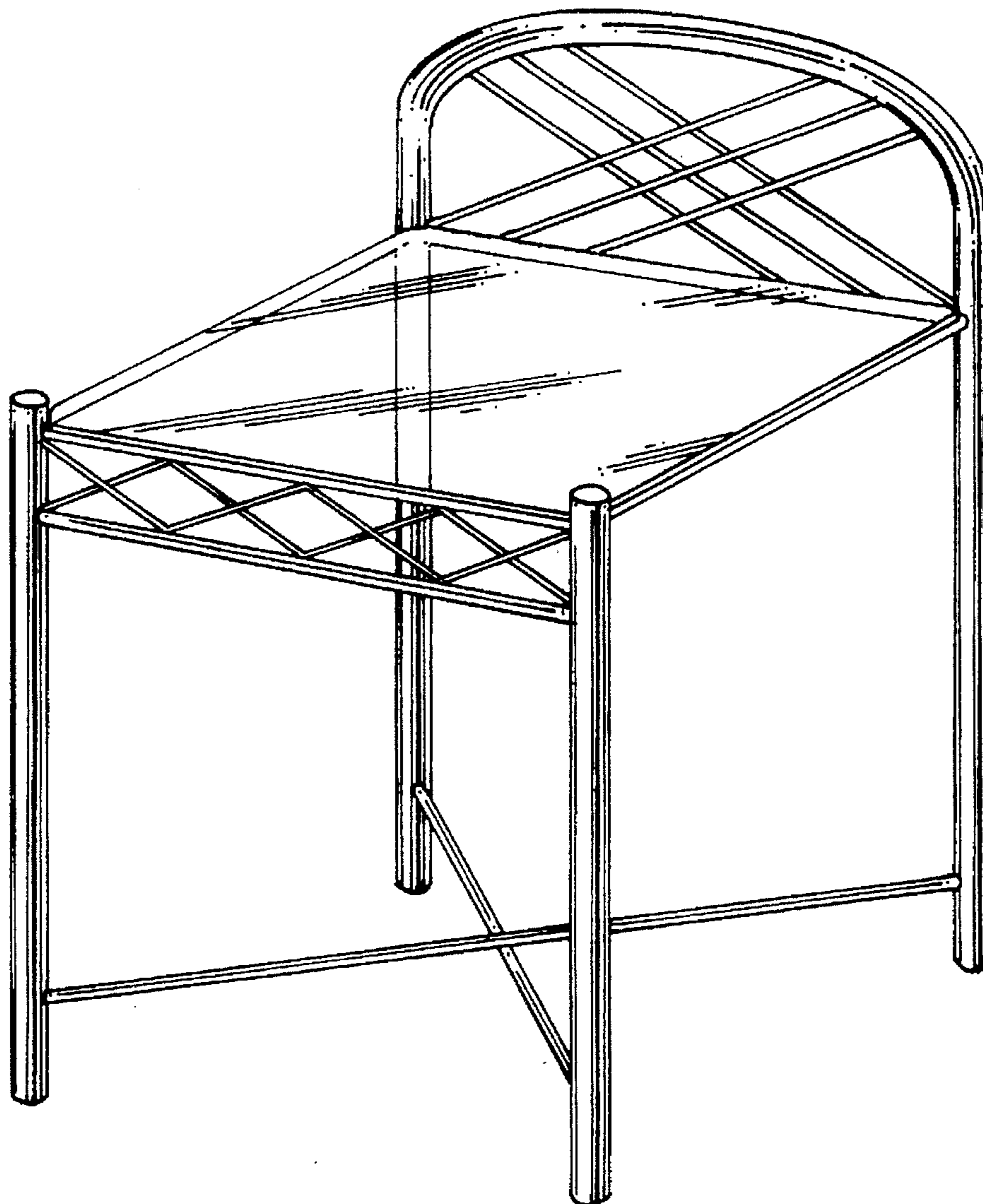
[57] **CLAIM**

The ornamental design for a night table, as shown and described.

DESCRIPTION

FIG. 1 a perspective view of a night table showing my new design thereof;
FIG. 2 is a left side-elevational view thereof;
FIG. 3 is a right side-elevational view thereof;
FIG. 4 is a front-elevational view thereof;
FIG. 5 is a rear-elevational view thereof;
FIG. 6 is a top plan view thereof; and,
FIG. 7 is a bottom plan view thereof.

1 Claim, 2 Drawing Sheets



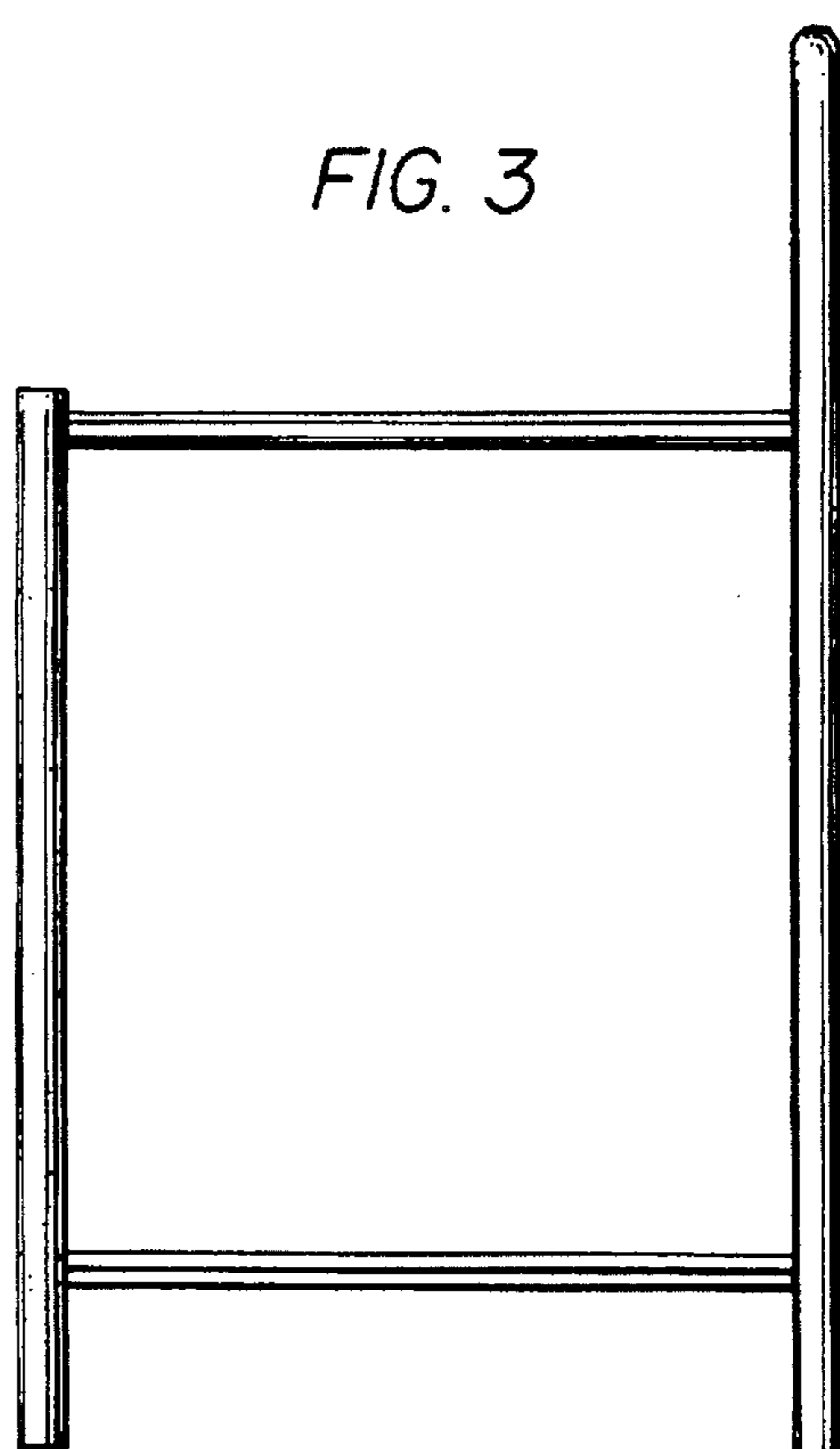
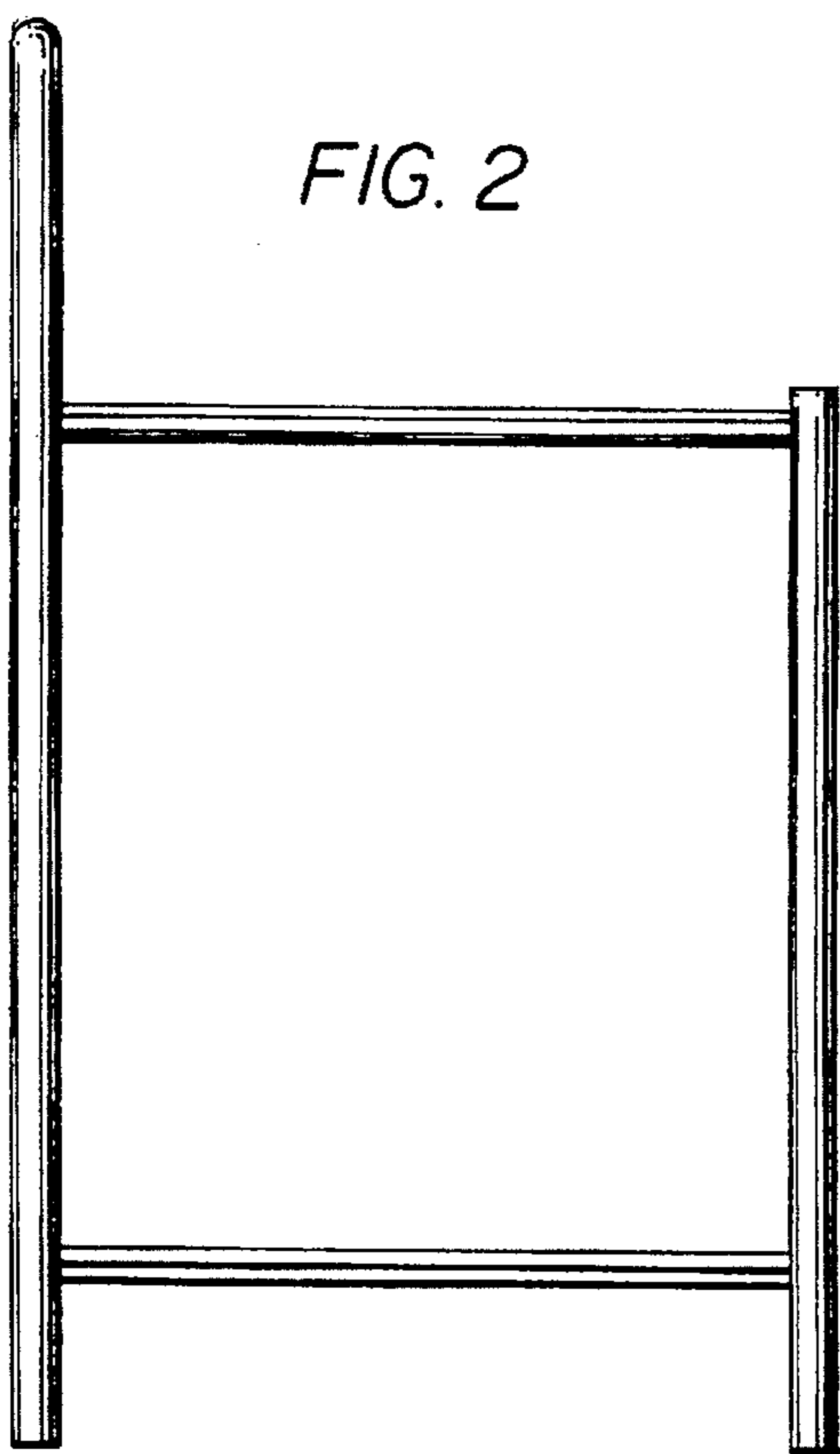
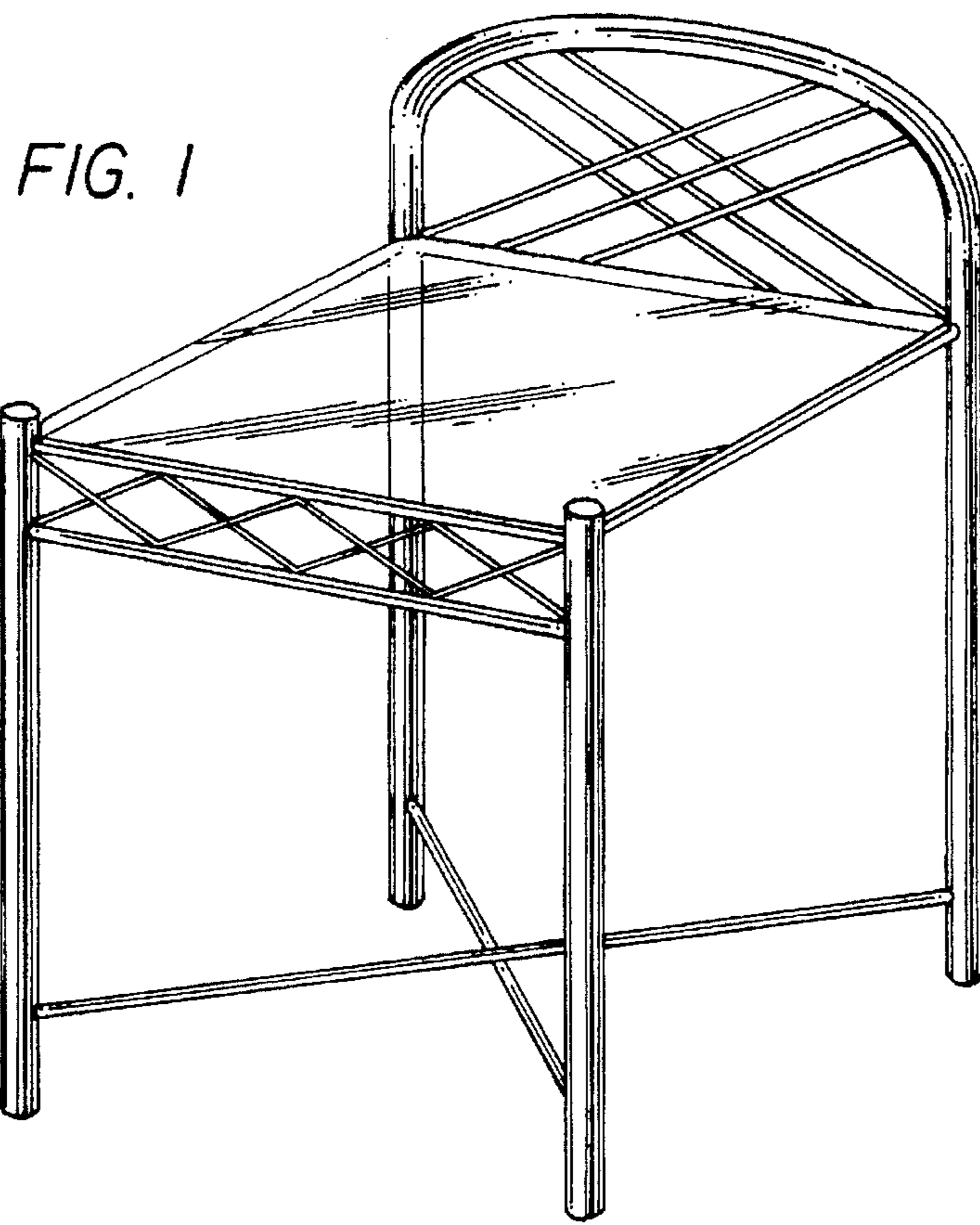


FIG. 4

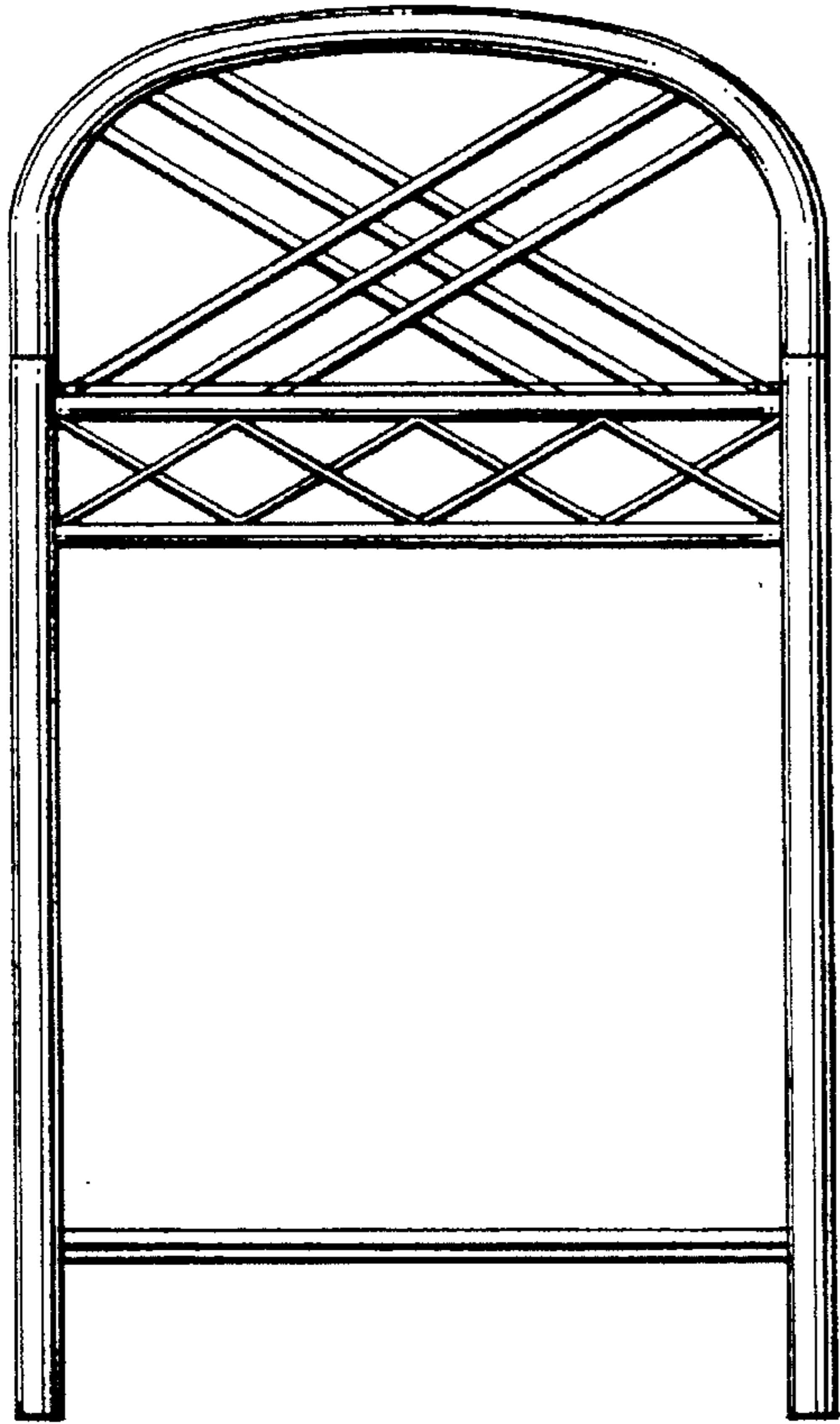


FIG. 5

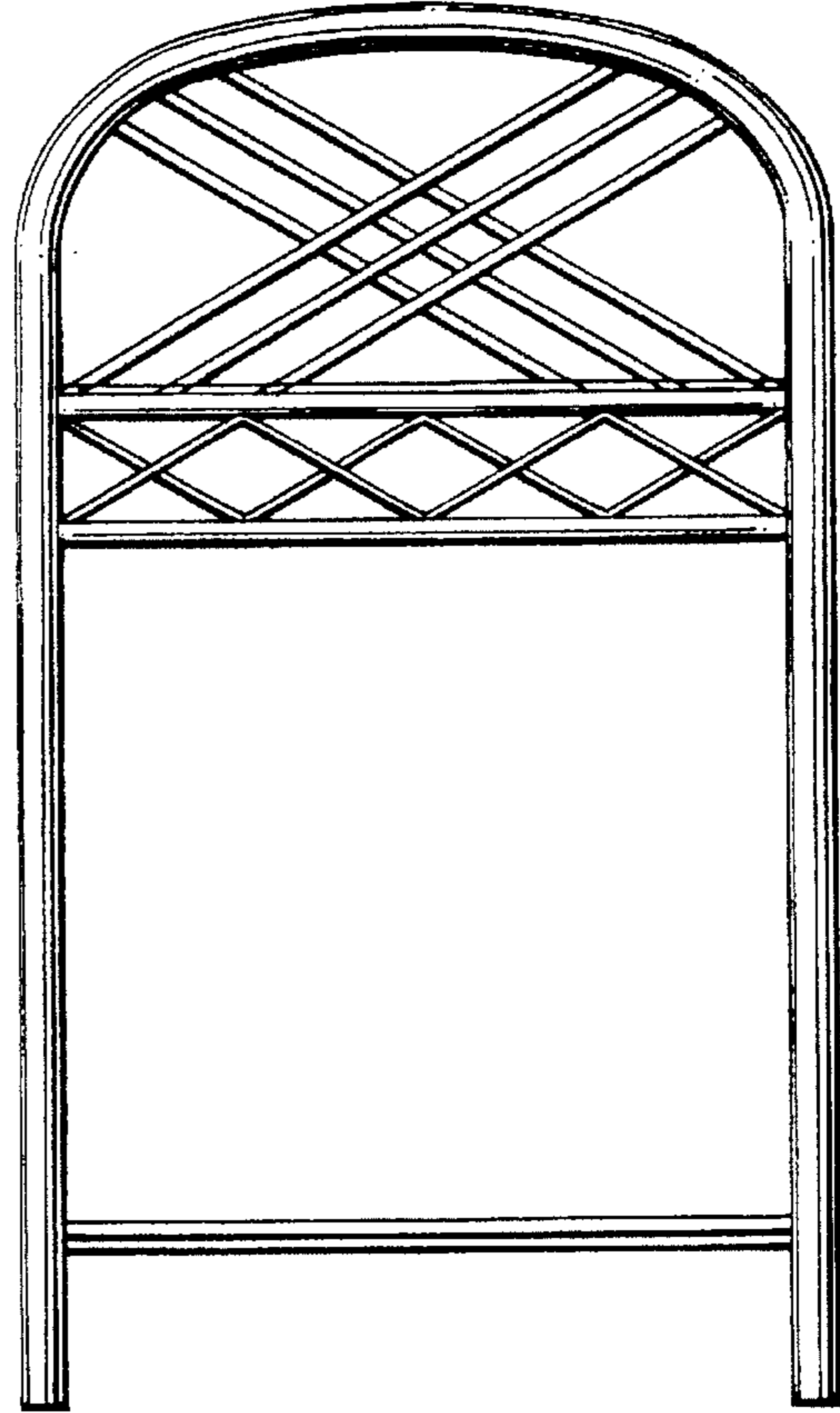


FIG. 6

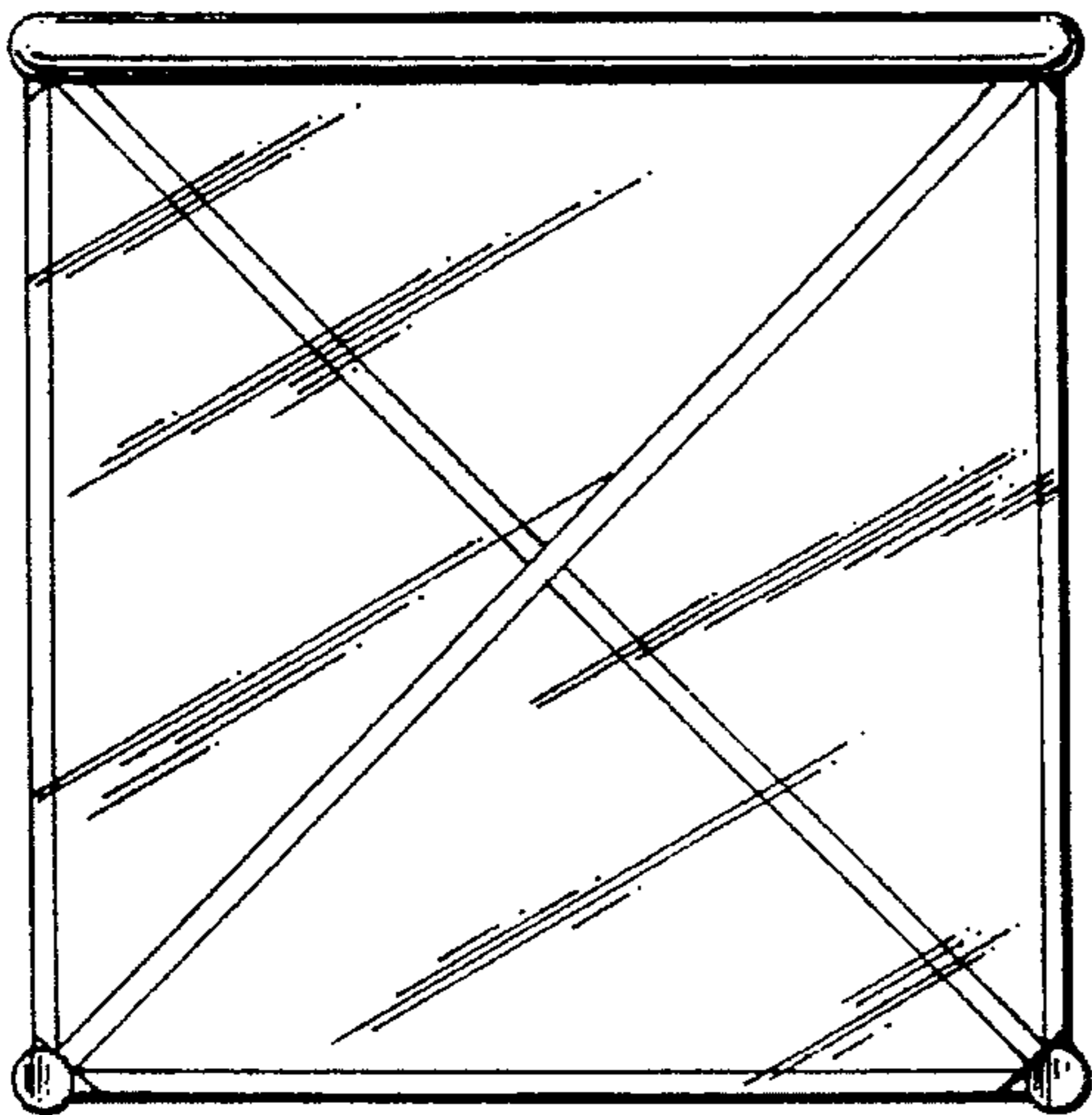


FIG. 7

