



US00D379035S

United States Patent [19]
Gleason

[11] **Patent Number:** **Des. 379,035**
[45] **Date of Patent:** ****May 6, 1997**

[54] **CHAIR**
[75] **Inventor:** **Erela M. Gleason**, Atherton, Calif.
[73] **Assignee:** **Summer Hill Ltd.**, Redwood City, Calif.
[**] **Term:** **14 Years**
[21] **Appl. No.:** **49,707**
[22] **Filed:** **Jan. 29, 1996**
[51] **LOC (6) Cl.** **06-01**
[52] **U.S. Cl.** **D6/334**
[58] **Field of Search** **D6/334, 335, 374, D6/375, 381, 500, 501, 502; 297/445.1**

[56] **References Cited**
U.S. PATENT DOCUMENTS
D. 354,866 1/1995 Jordan D6/334
OTHER PUBLICATIONS

Furniture Specialties Corp., chair #1418 at right.
Bloomingdale's, Jan. 24, 1991, p. 15, chair in frame "B" at top left.

Bloomingdale's, Jan. 24, 1991, p. 14 chair shown.

Primary Examiner—Gary D. Watson
Attorney, Agent, or Firm—Heslin & Rothenberg, P.C.

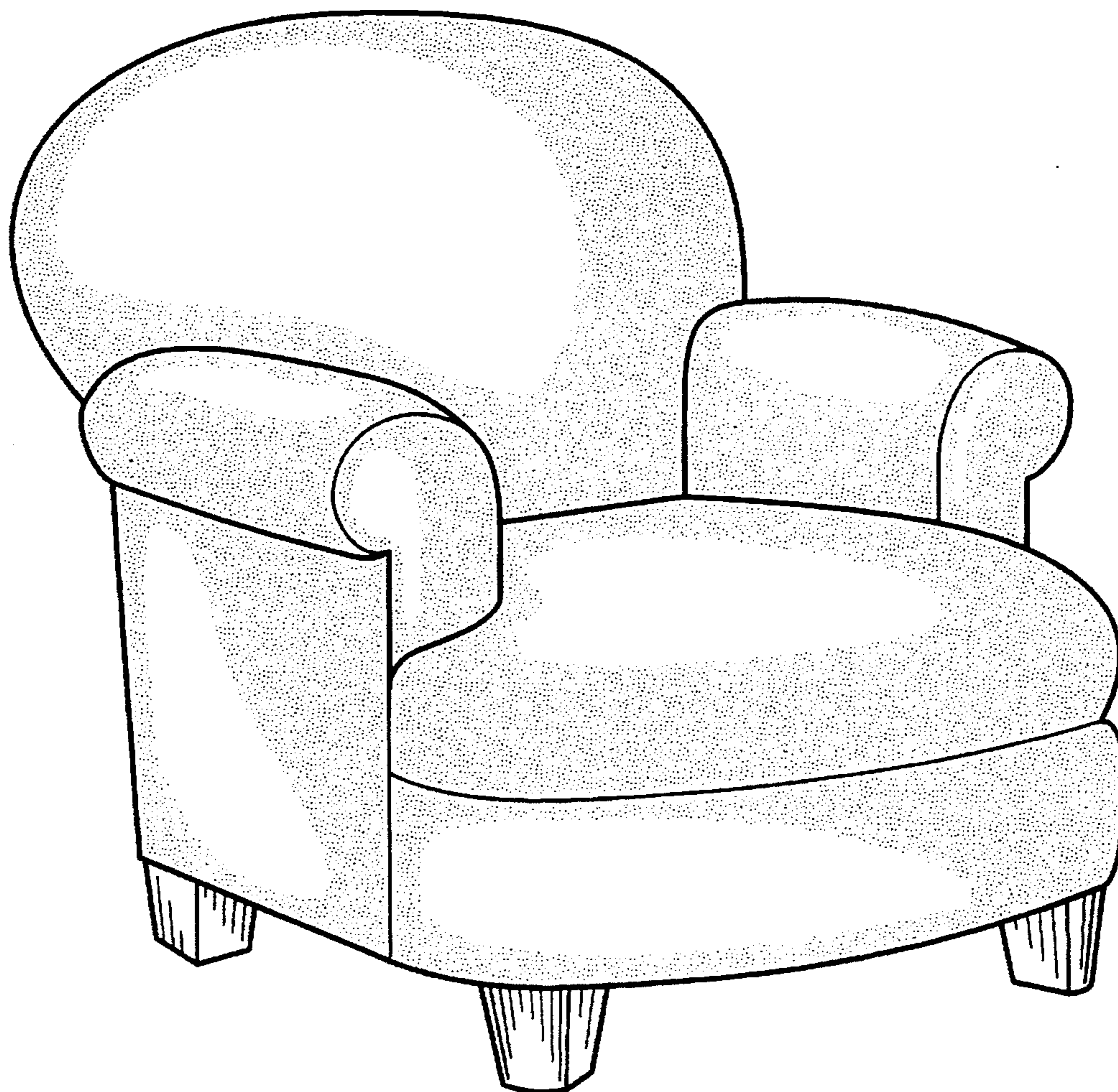
[57] **CLAIM**

The ornamental design for a chair, as shown and described.

DESCRIPTION

FIG. 1 is a top plan view of a chair embodying the claimed ornamental design;
FIG. 2 is a front elevational view of a chair embodying the claimed ornamental design;
FIG. 3 is a side elevational view of a chair embodying the claimed ornamental design;
FIG. 4 is a bottom view of a chair embodying the claimed ornamental design;
FIG. 5 is a rear elevational view of a chair embodying the claimed ornamental design and,
FIG. 6 is a perspective view of a chair embodying the claimed ornamental design.
FIG. 6 has been shown on an enlarged scale with respect to FIGS. 1 through 5.

1 Claim, 4 Drawing Sheets



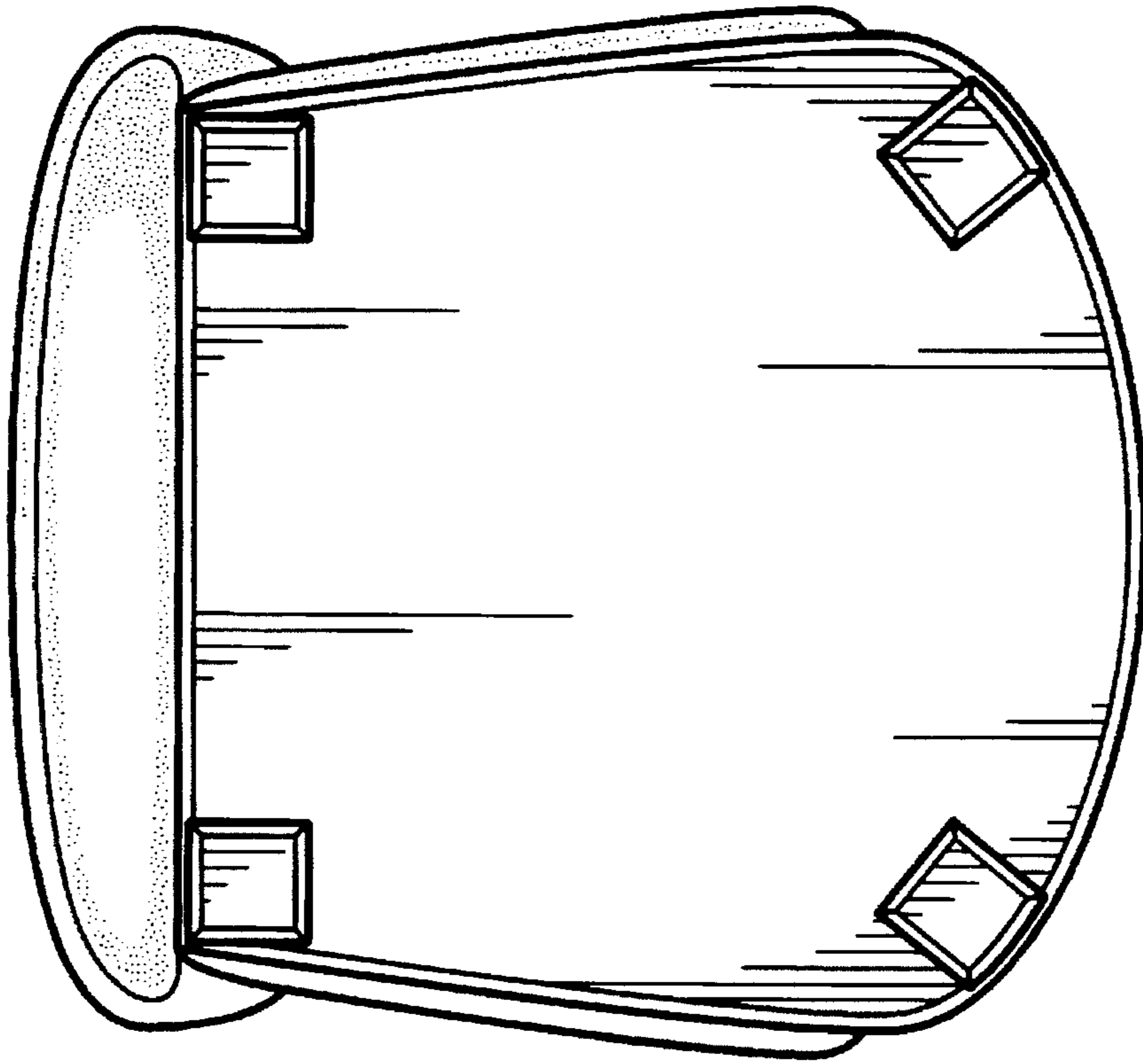


FIG. 4

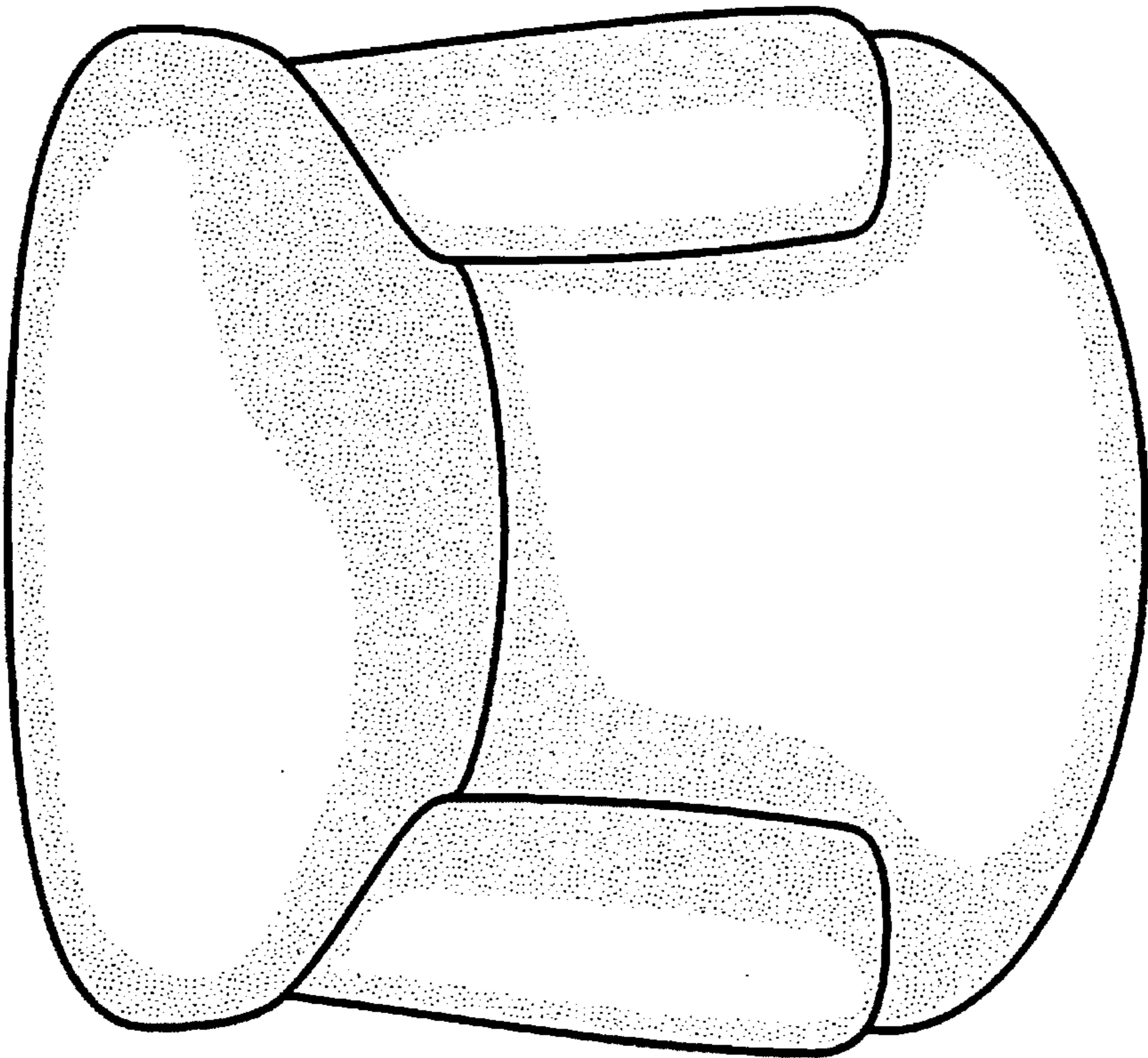


FIG. 1

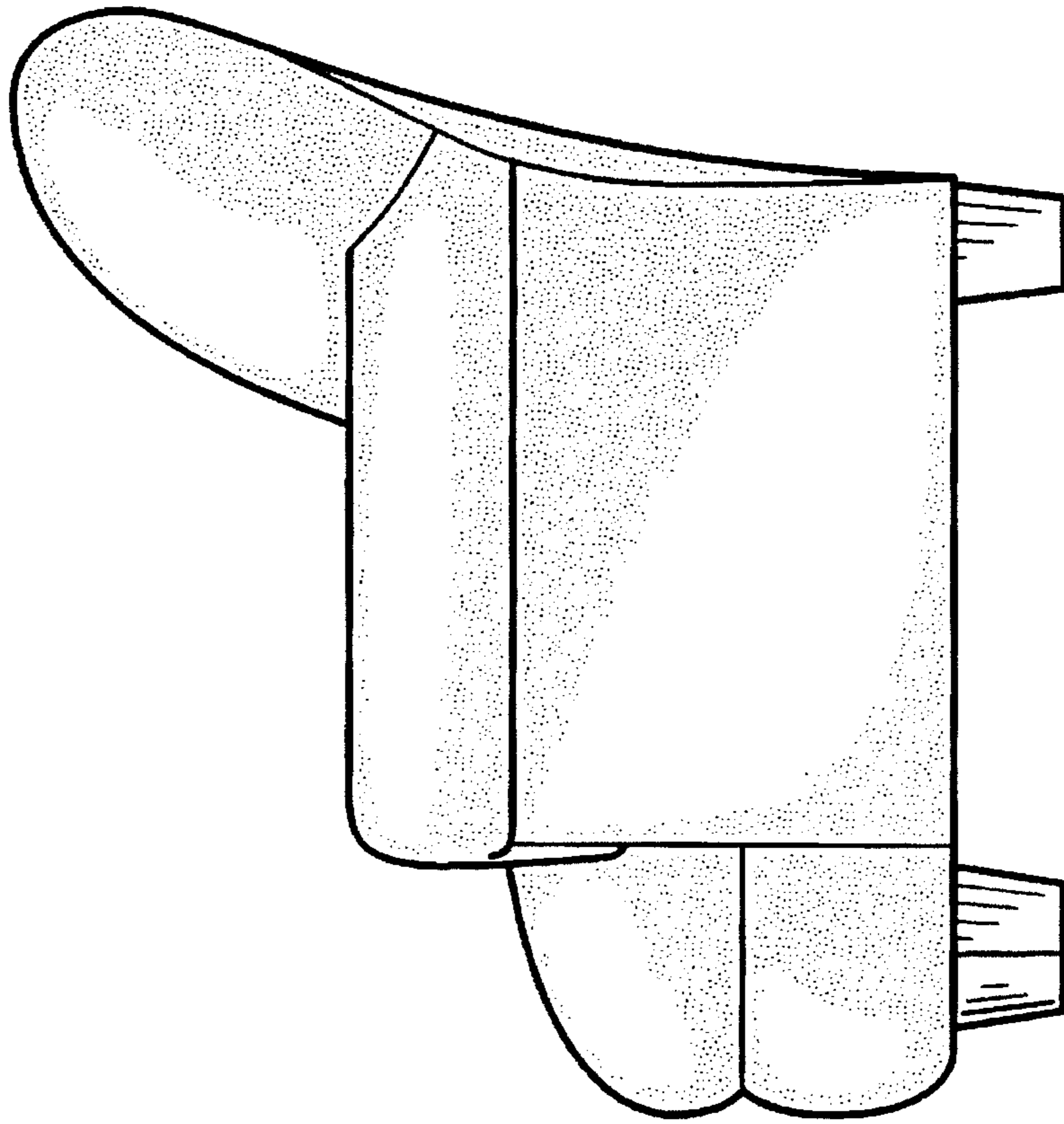


FIG. 3

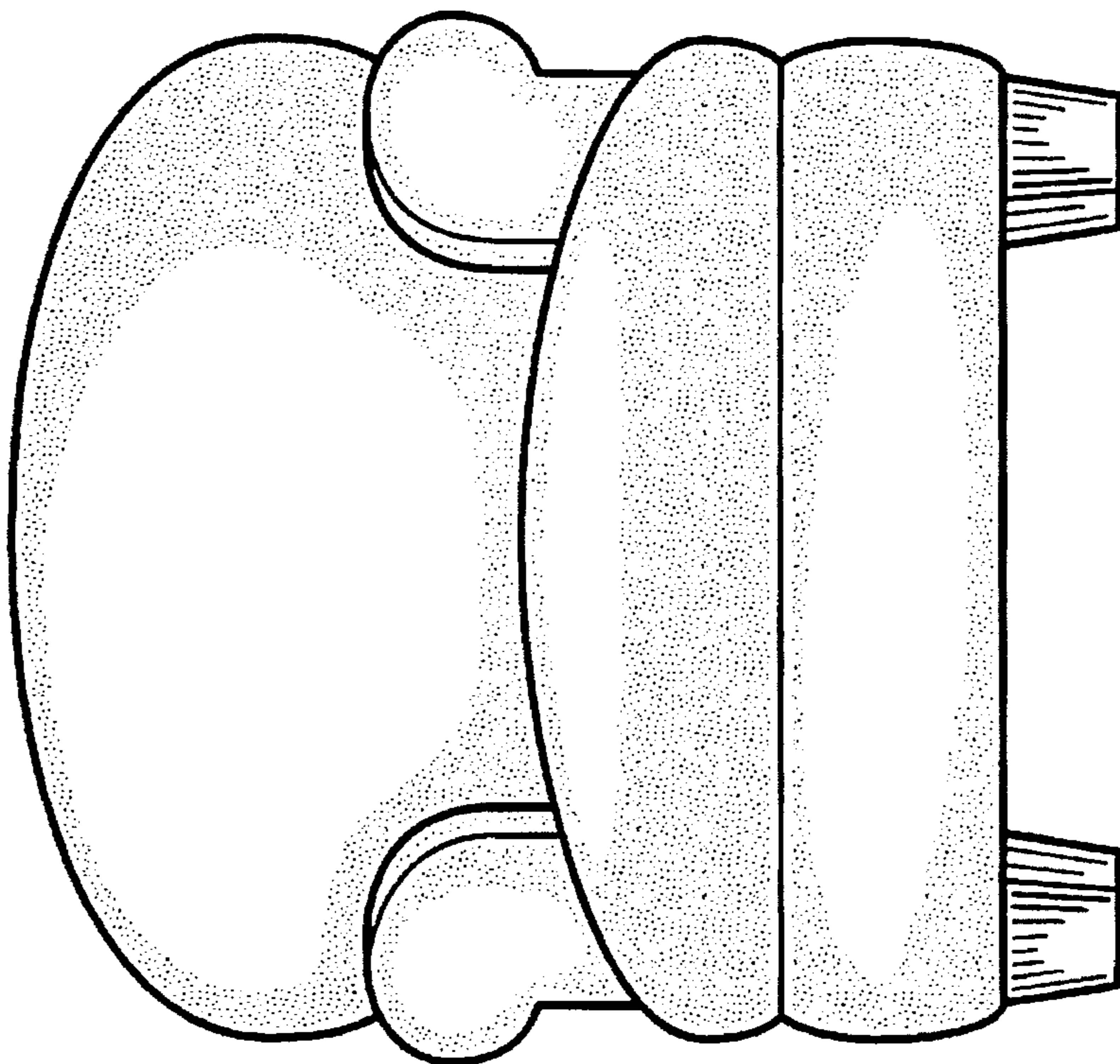


FIG. 2

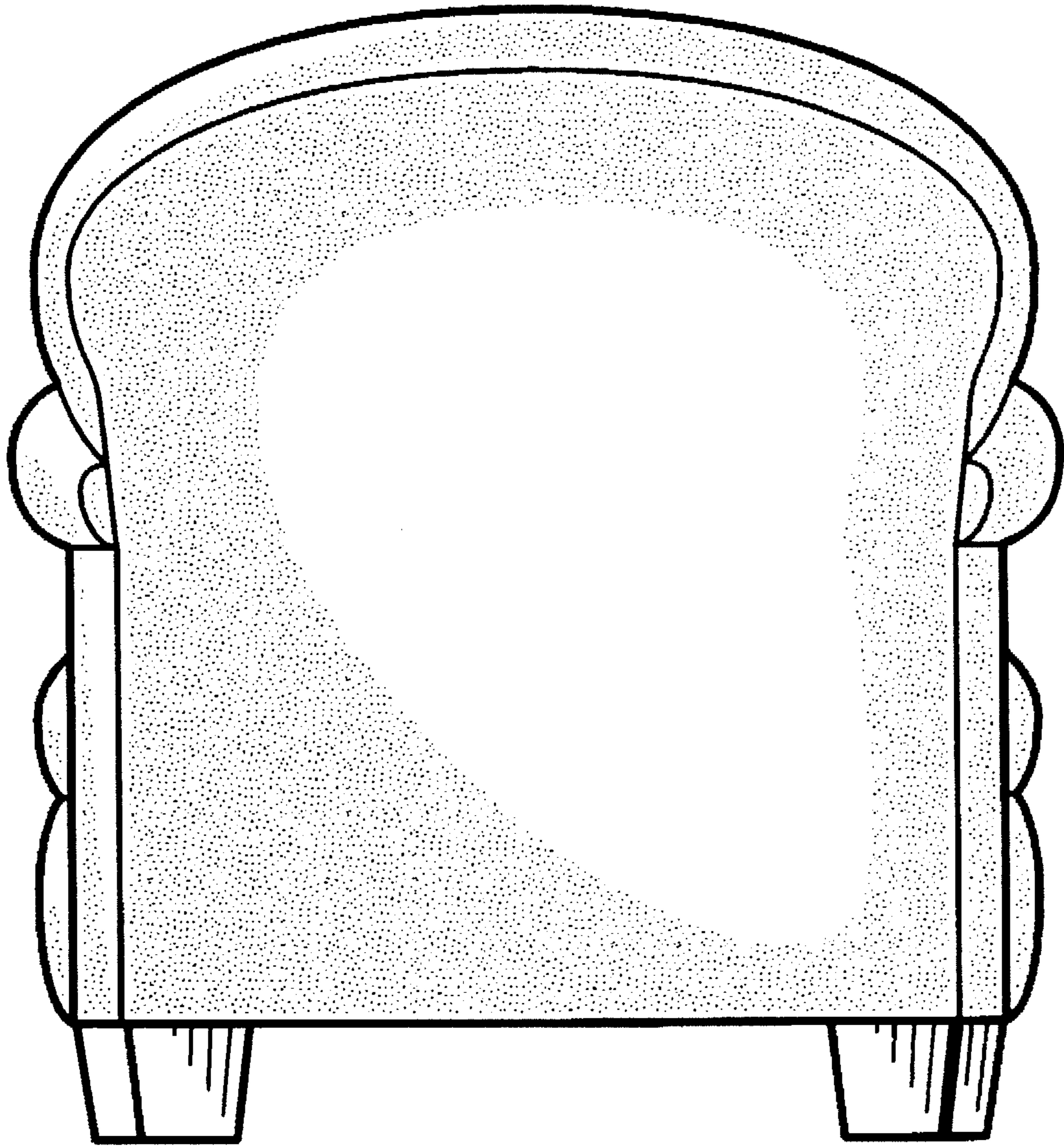


FIG. 5

FIG. 6

