



US00D379022S

**United States Patent** [19]  
**Cuthbertson**

[11] **Patent Number:** **Des. 379,022**  
[45] **Date of Patent:** **\*\*Apr. 29, 1997**

[54] **CONTAINER MOVER**

[76] **Inventor:** **Jack C. Cuthbertson**, 5306 Satsuma Dr., Zephyrhills, Fla. 33540

[\*\*] **Term:** **14 Years**

[21] **Appl. No.:** **40,559**

[22] **Filed:** **Jun. 21, 1995**

[52] **U.S. Cl.** ..... **D34/38**

[58] **Field of Search** ..... D34/28, 38; 108/51.1, 108/51.3, 56.1, 57.1, 55.3; 248/346.02, 346.03, 346.11, 907

[56] **References Cited**

**U.S. PATENT DOCUMENTS**

D. 305,374	1/1990	Sahm	.....	D34/38
D. 348,341	6/1994	Costenaro	.....	D34/38
2,507,588	5/1950	Brandon et al.	.....	248/146
3,477,631	11/1969	Dunlap	.....	248/346
3,654,875	4/1972	Vik	.....	108/51.1
3,831,209	8/1974	Clingman	.....	248/346.11
5,110,147	5/1992	Gershman	.....	248/907

*Primary Examiner*—A. Hugo Word  
*Assistant Examiner*—Robin V. Taylor  
*Attorney, Agent, or Firm*—Frijouf, Rust & Pyle, P.A.

[57] **CLAIM**

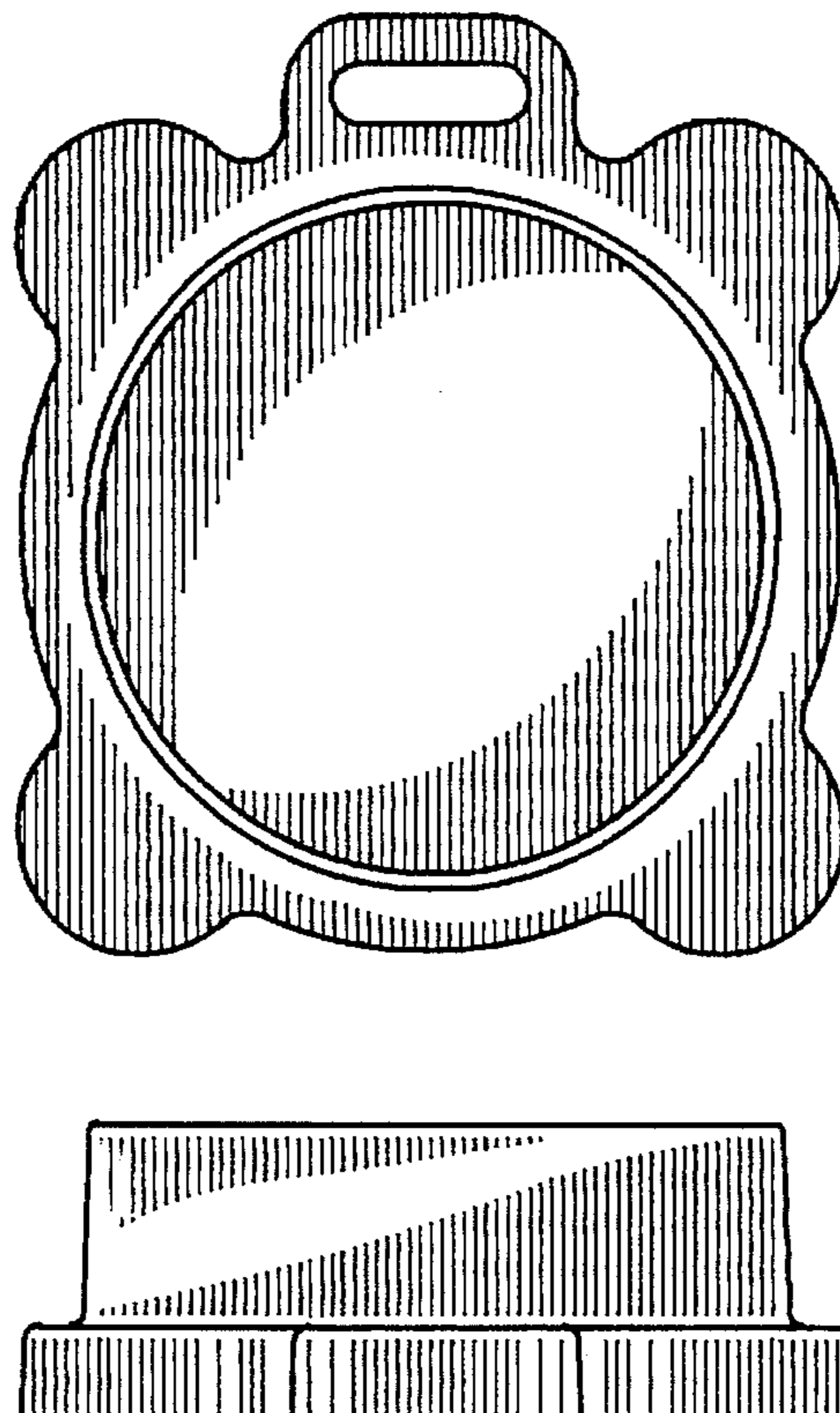
The ornamental design for a container mover, as shown and described.

**DESCRIPTION**

FIG. 1 is a top view of my new design for a container mover; FIG. 2 is a front view thereof; FIG. 3 is a rear view thereof; FIG. 4 is a left side view thereof; FIG. 5 is a right side view thereof; FIG. 6 is a bottom view thereof; and FIG. 7 is a front view partially in section; FIG. 8 is a sectional view along line 7—7 in FIG. 6; FIG. 9 is a view along line 9—9 in FIG. 6; FIG. 10 is an enlarged sectional view along line 10—10 in FIG. 6; FIG. 11 is an enlarged sectional view along line 11—11 in FIG. 6; FIG. 12 is an enlarged sectional view along line 12—12 in FIG. 6; FIG. 13 is an enlarged sectional view along line 13—13 in FIG. 6; FIG. 14 is an enlarged sectional view along line 14—14 in FIG. 6; FIG. 15 is a front view thereof supported by casters; FIG. 16 is a left side view thereof supported by casters; and, FIG. 17 is a view similar to FIG. 8 thereof supported by casters.

The broken line showing of casters is for illustrative purposes only and forms no part of the claimed design.

**1 Claim, 5 Drawing Sheets**



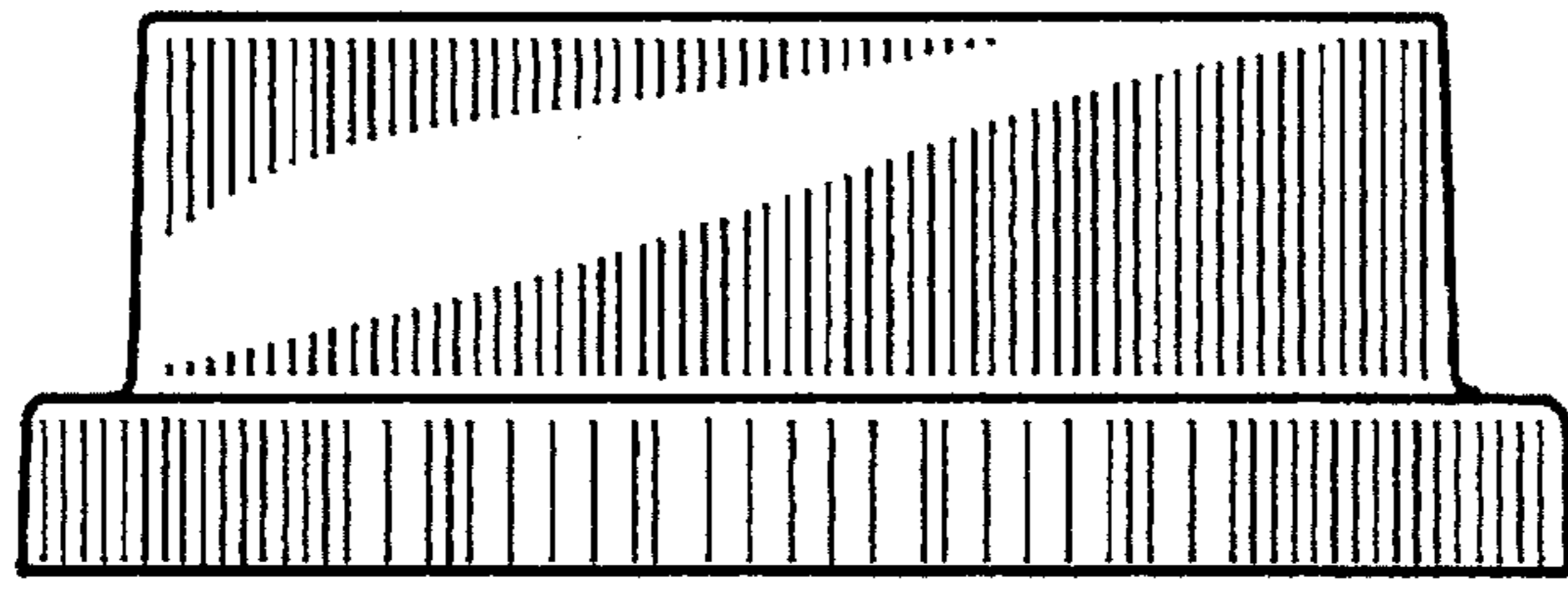


FIG. 2

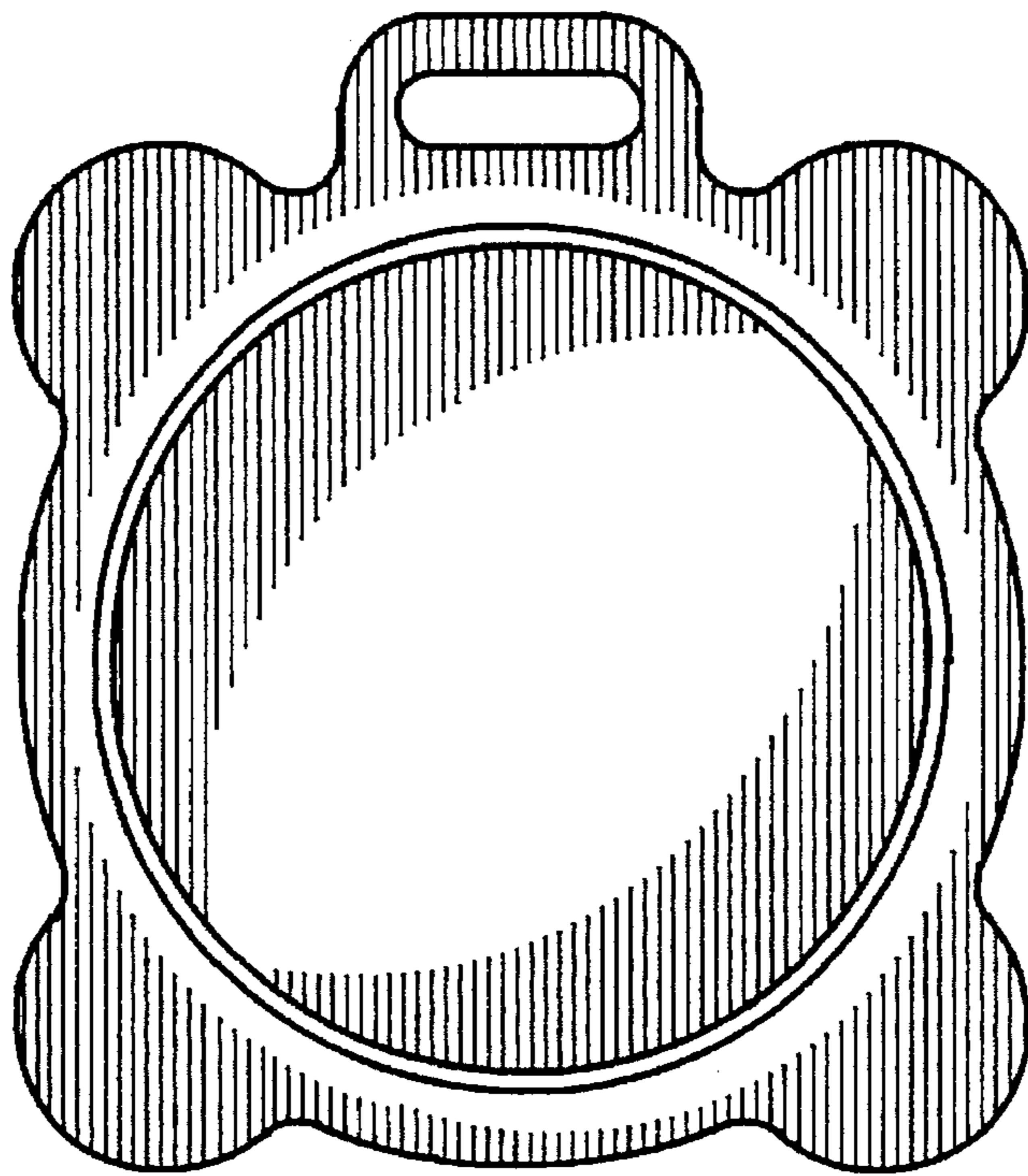


FIG. 1

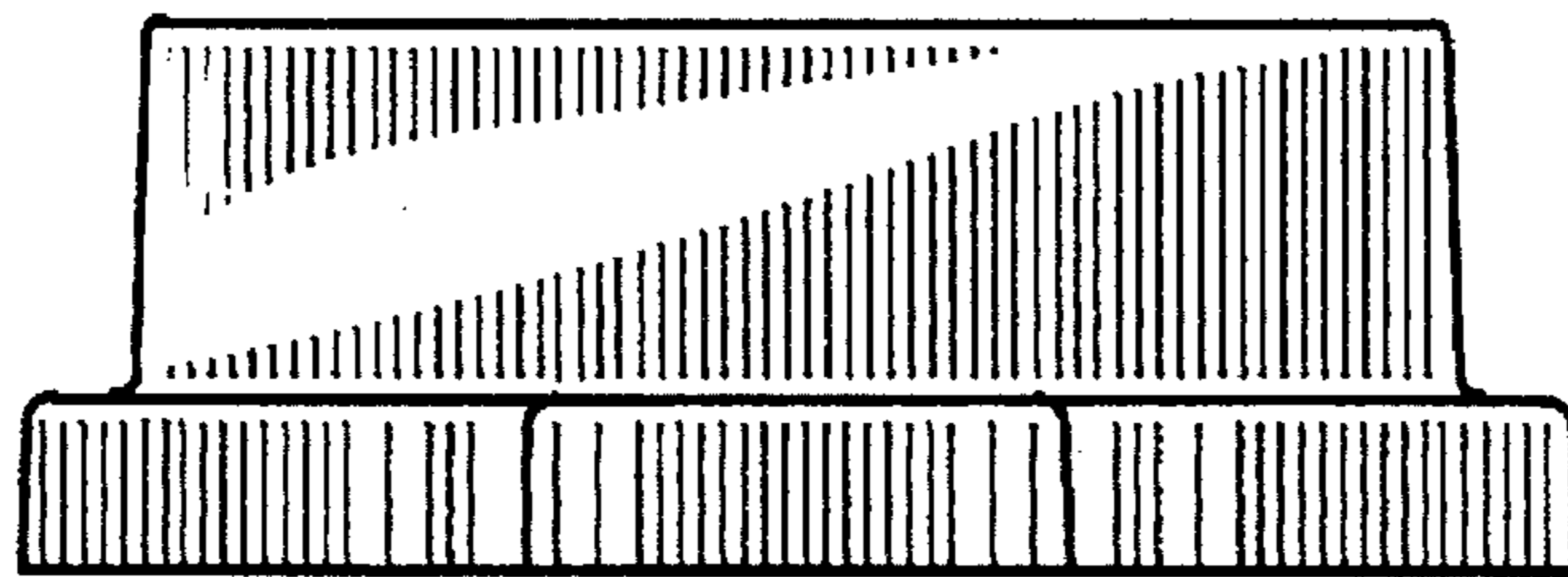


FIG. 3

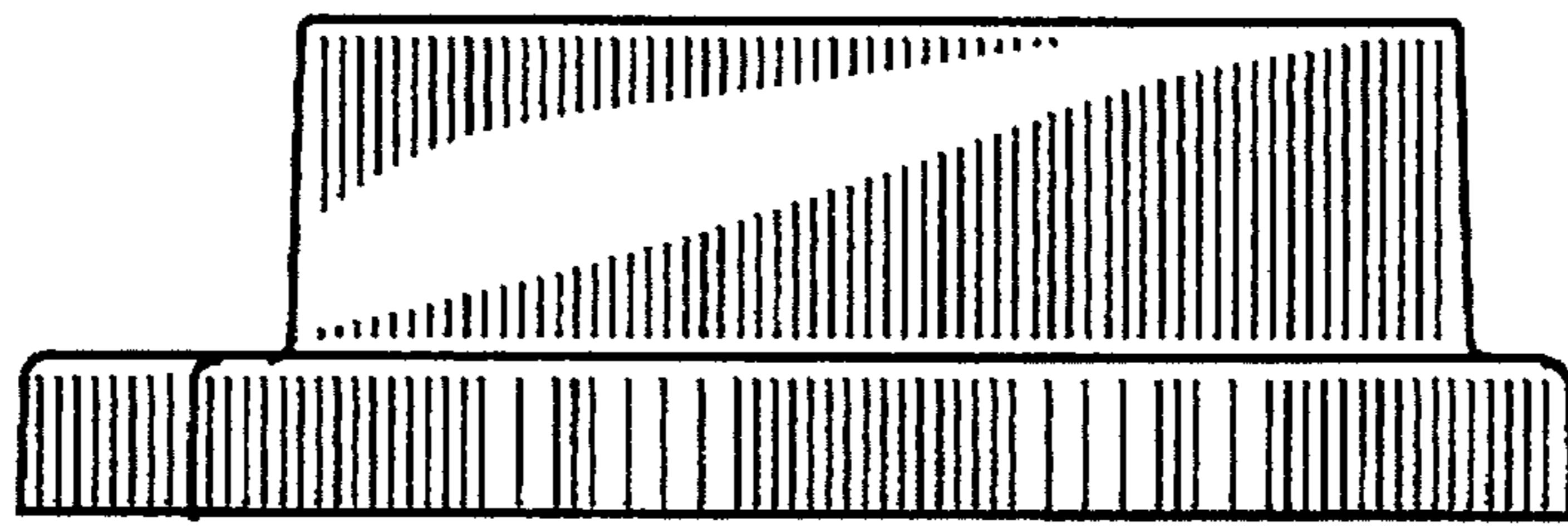


FIG. 4

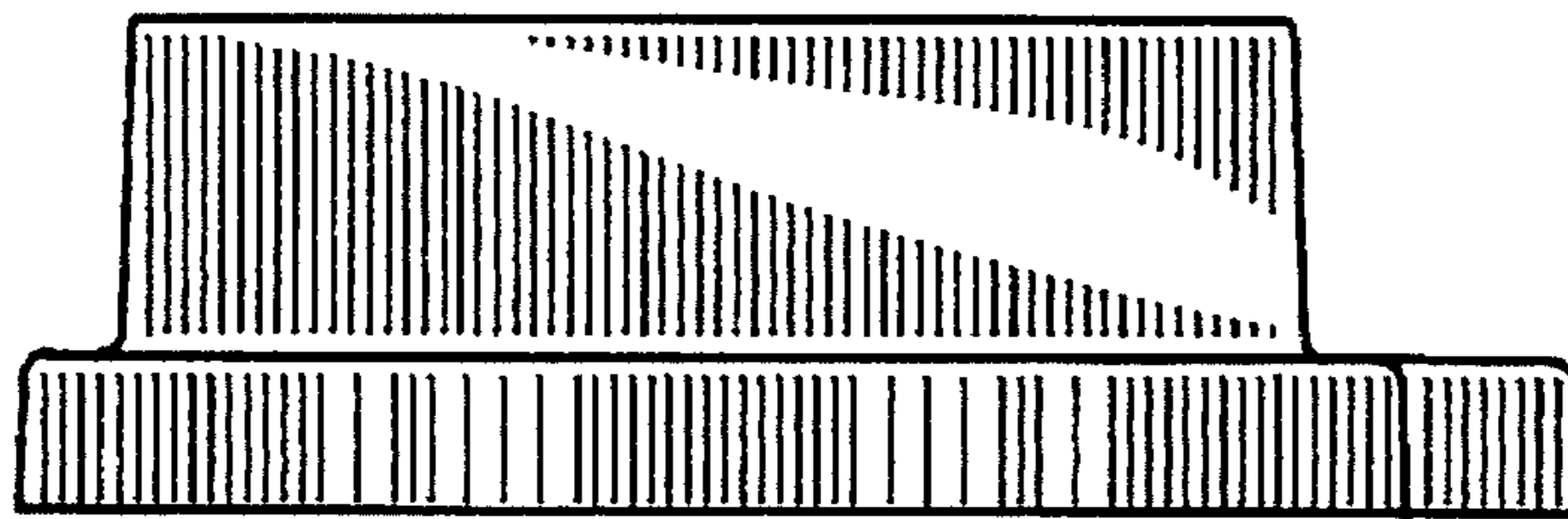


FIG. 5

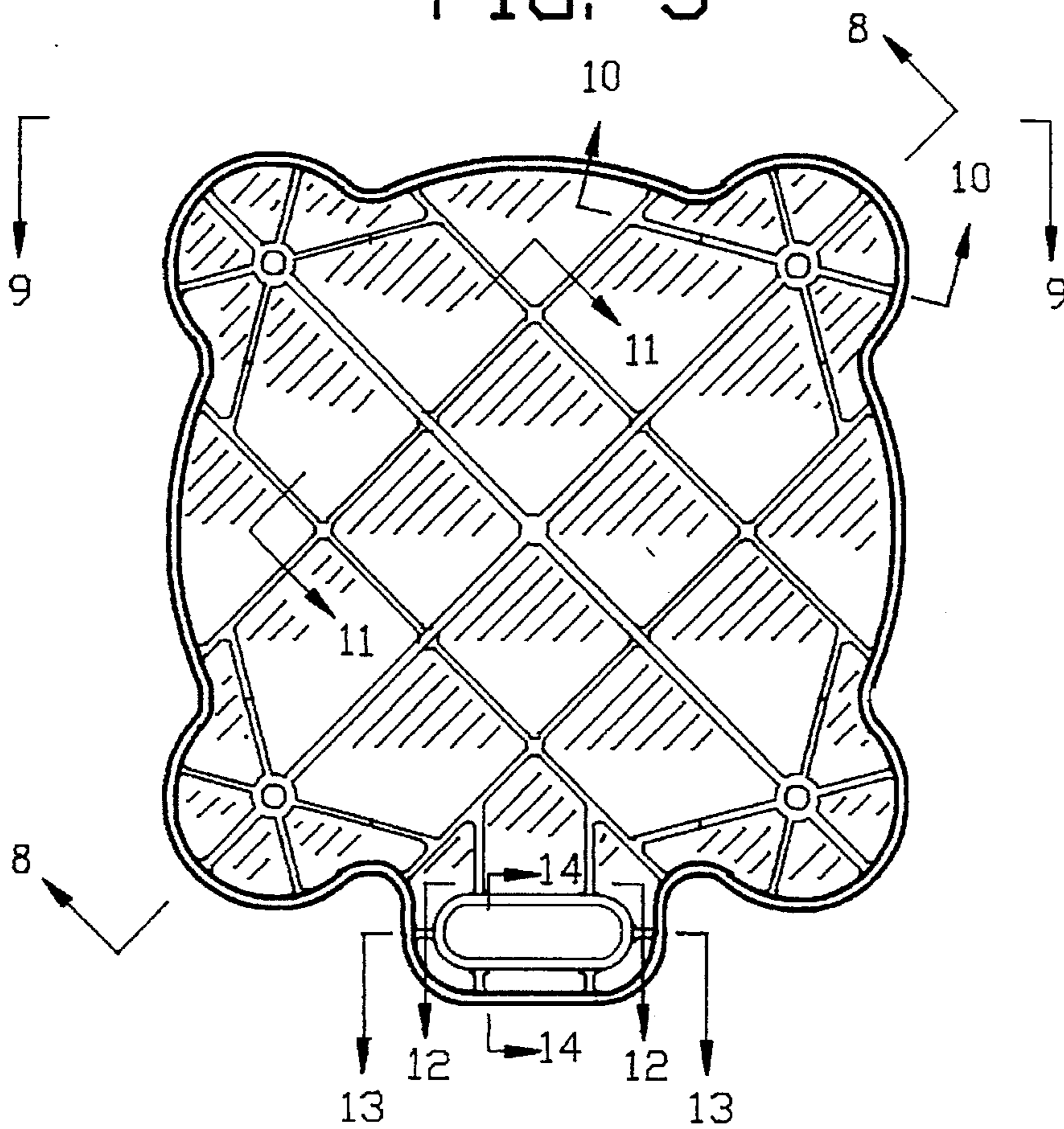


FIG. 6

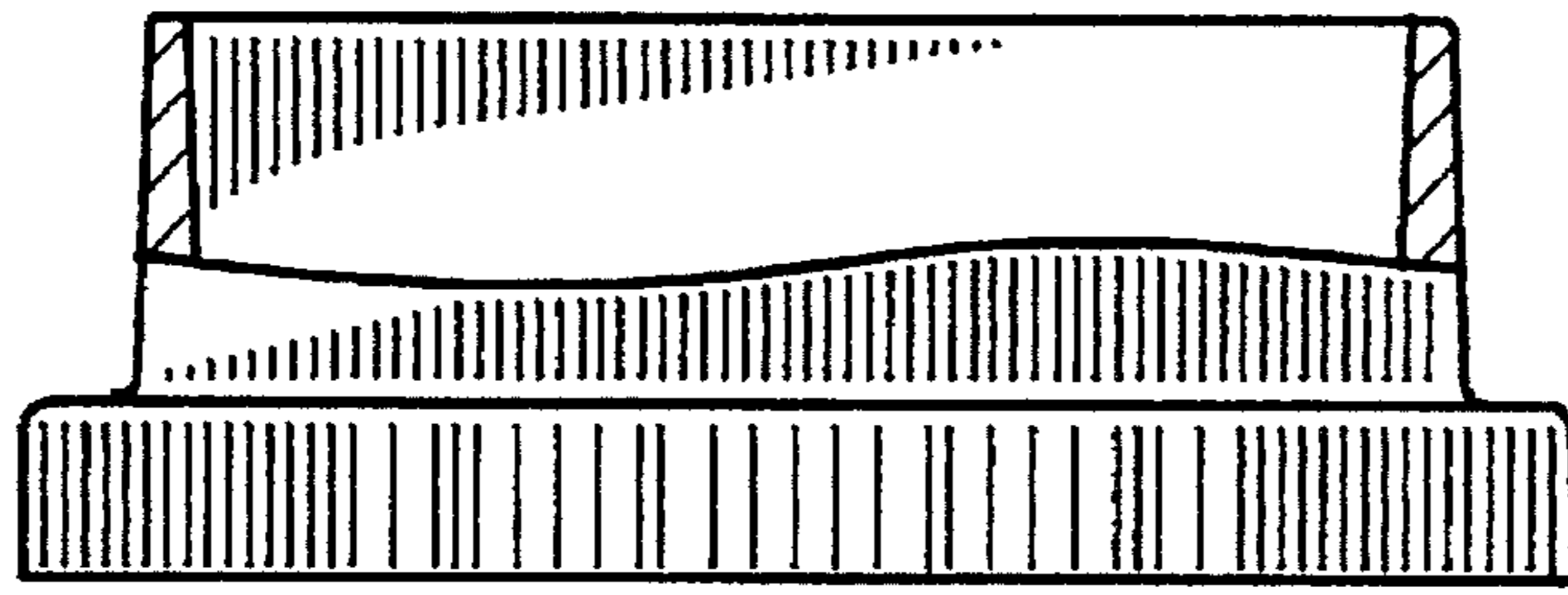


FIG. 7

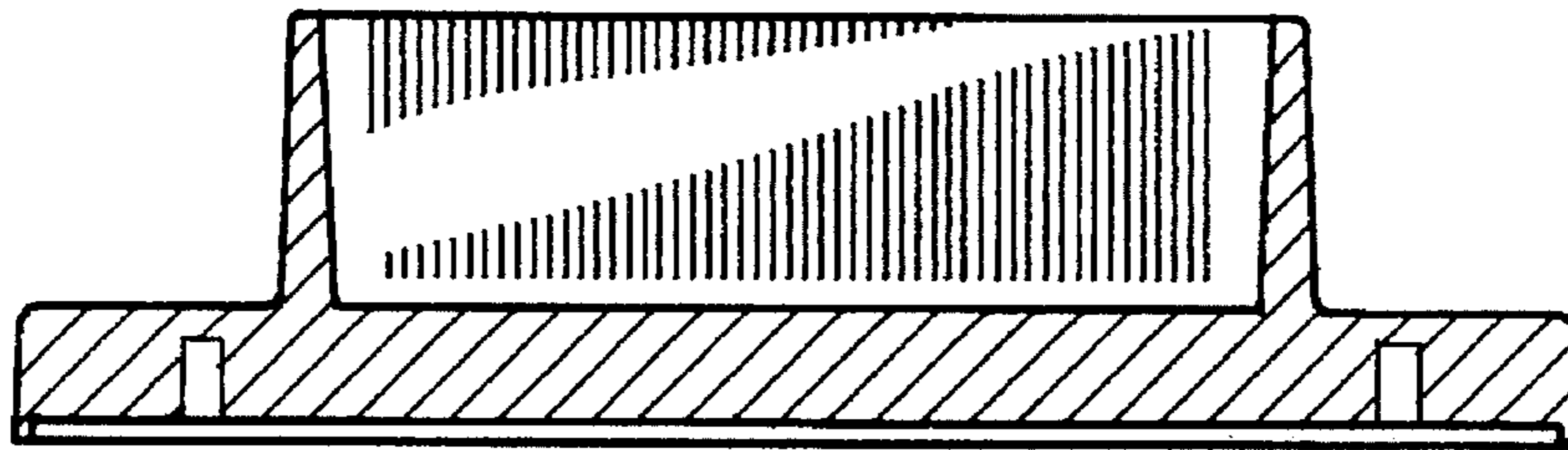


FIG. 8

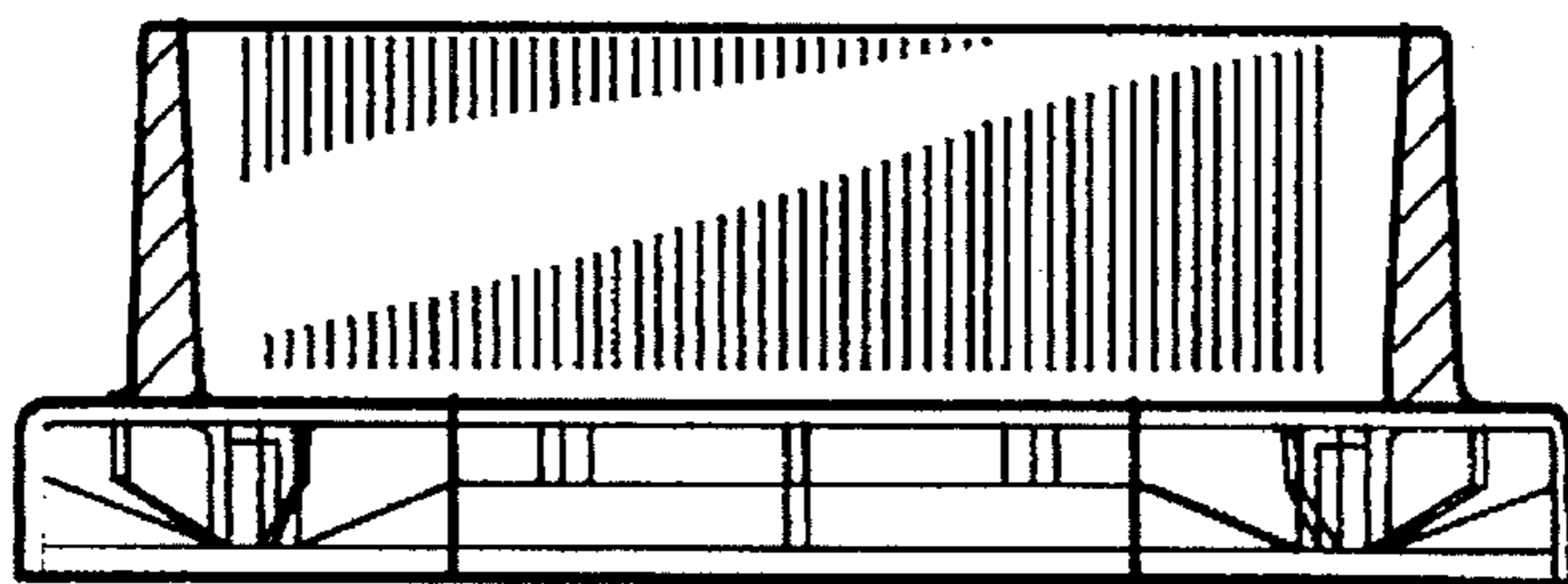


FIG. 9

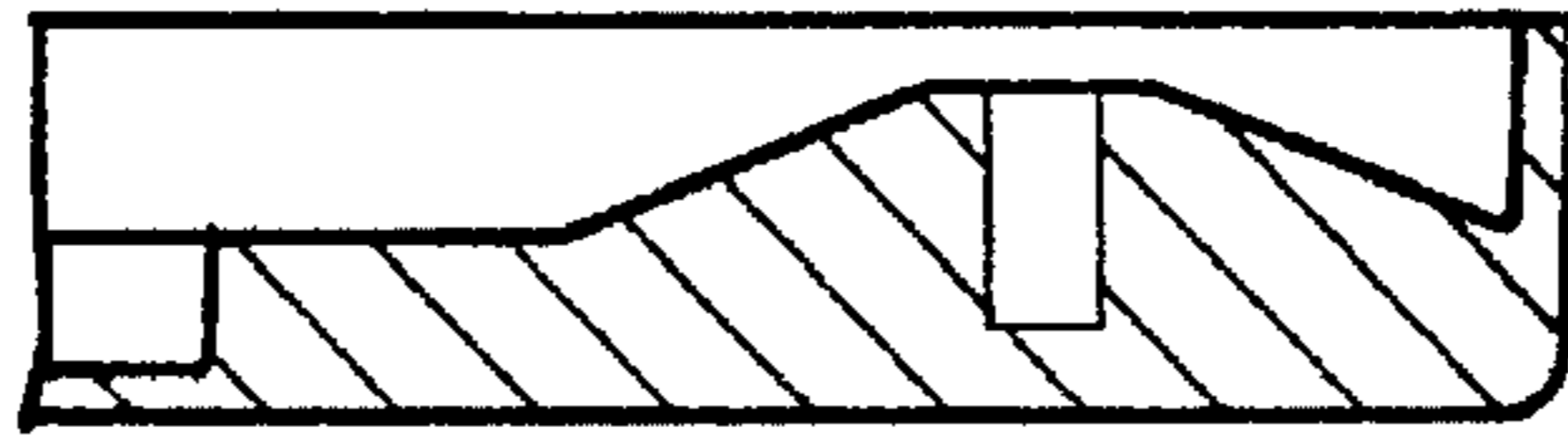


FIG. 10

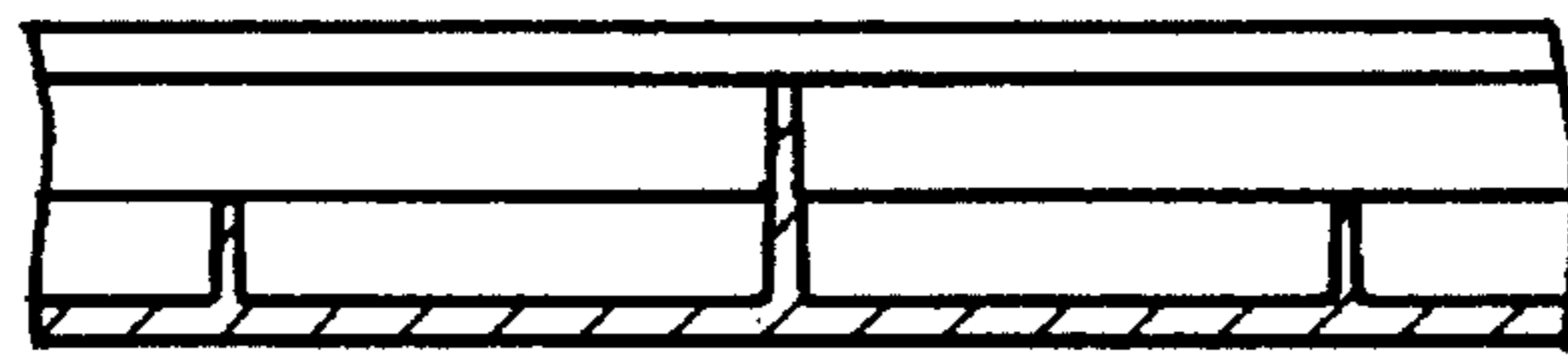


FIG. 11



FIG. 12



FIG. 13

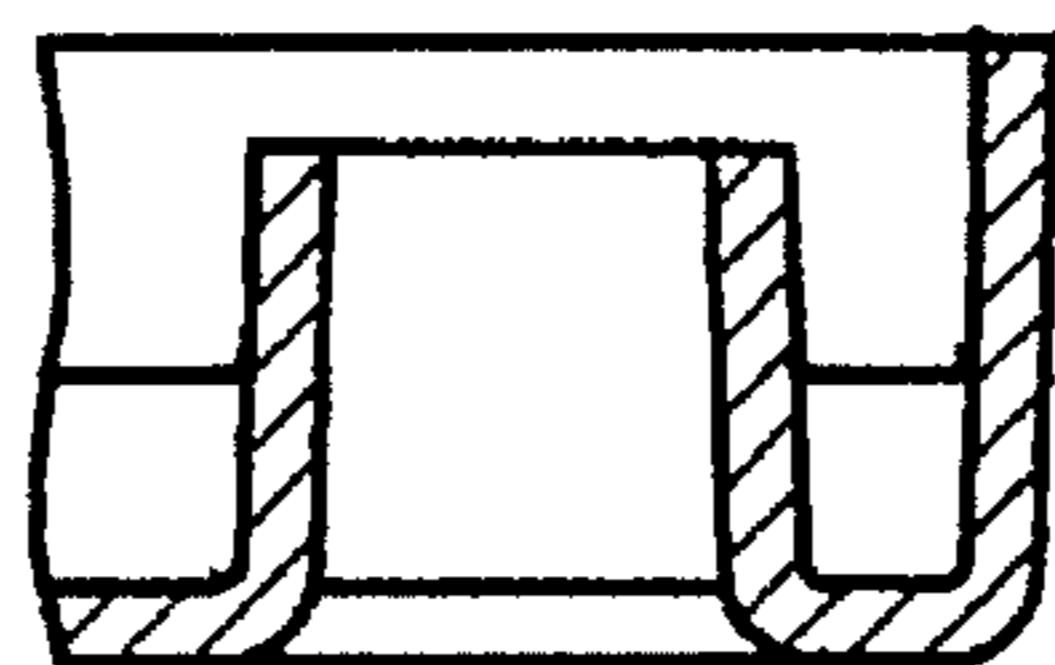


FIG. 14

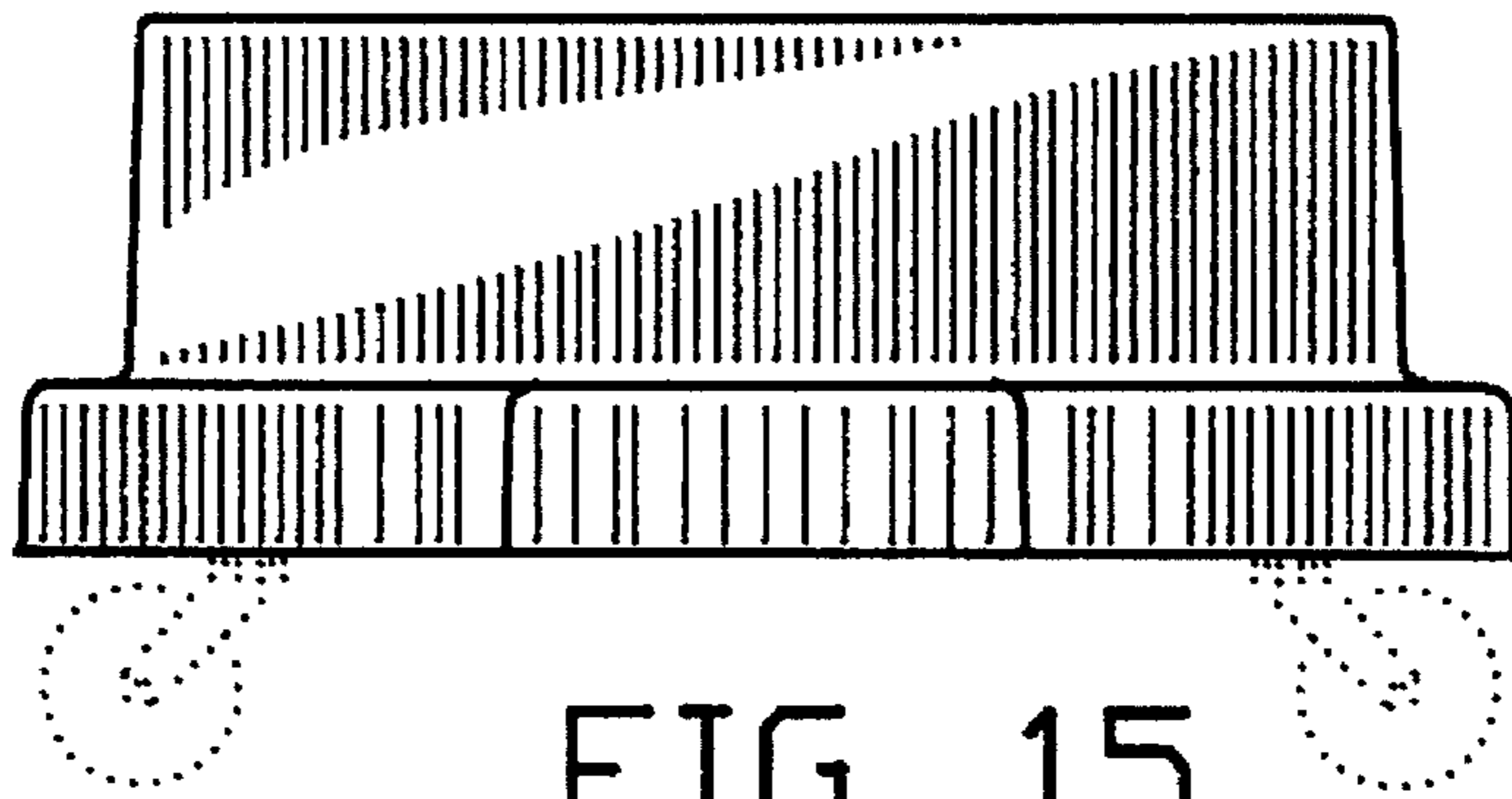


FIG. 15

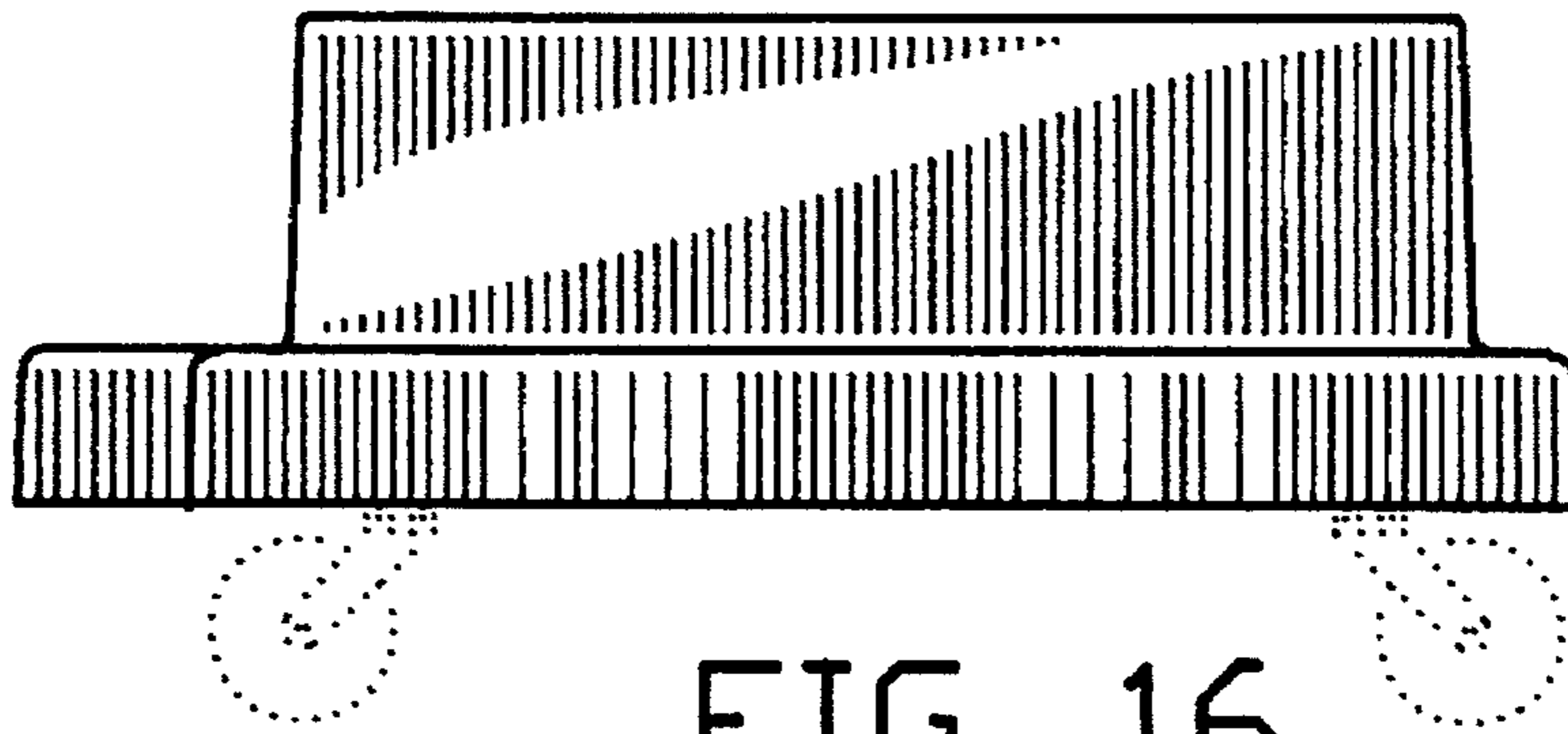


FIG. 16

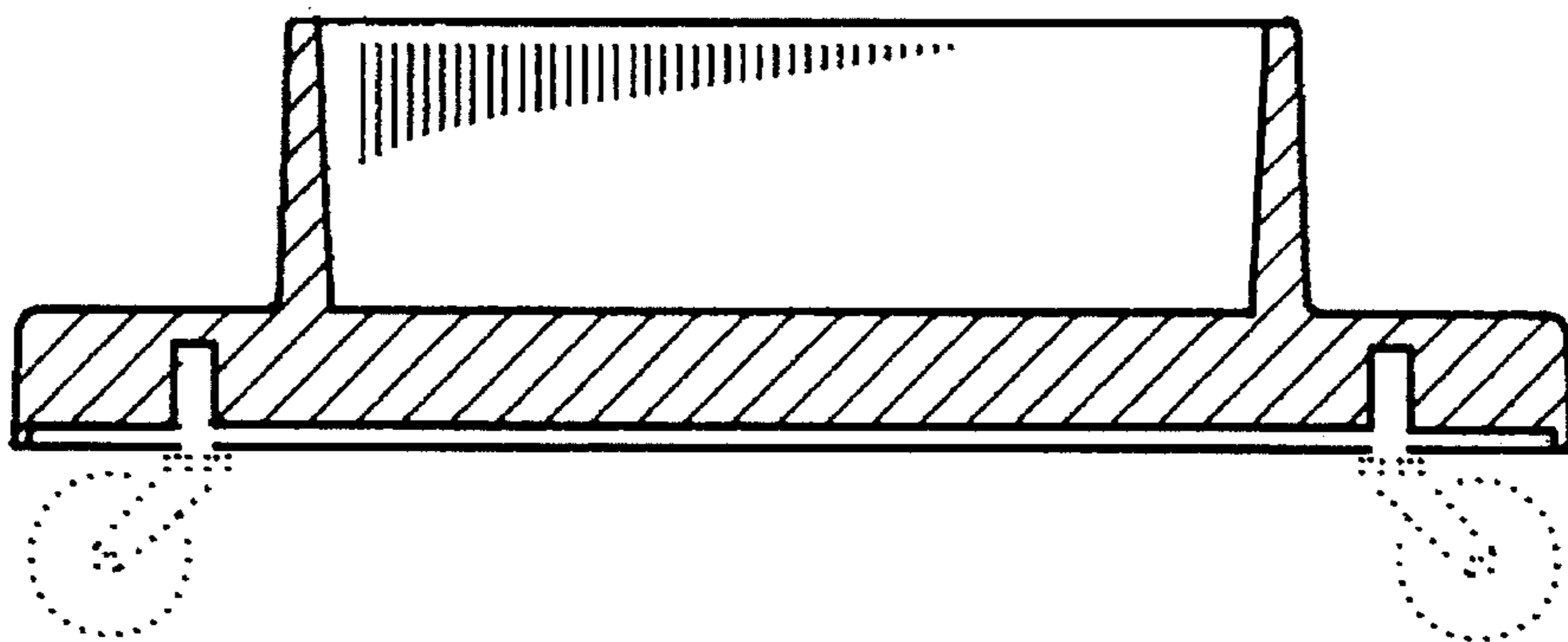


FIG. 17