



US00D379021S

United States Patent [19]

[11] Patent Number: **Des. 379,021**

Wies

[45] Date of Patent: ****Apr. 29, 1997**

[54] **PALLET WITH DECK SUPPORT**

[76] Inventor: **Jack E. Wies**, 8431 Scandia Trail
North, Forest Lake, Minn. 55025

[**] Term: **14 Years**

[21] Appl. No.: **32,442**

[22] Filed: **Dec. 19, 1994**

[52] U.S. Cl. **D34/38**

[58] Field of Search D34/38; 248/346;
108/51.1, 52.1, 53.1, 53.3, 54.1, 55.3, 56.1,
57.1, 901, 902

[56] **References Cited**

U.S. PATENT DOCUMENTS

D. 229,486	12/1973	Roper	D34/38
D. 257,247	10/1980	Powers	D12/60
2,953,339	9/1960	Roshon	248/120
3,393,647	7/1968	Howell	108/51.1
3,563,183	2/1971	Rich	108/51.1
3,598,065	8/1971	Young	108/53
3,610,172	10/1971	Wharton	108/51
3,664,271	5/1972	Wolder et al.	108/901
3,691,964	9/1972	Larson et al.	108/51

3,722,430	3/1973	Woodley et al.	108/51.1
3,910,202	10/1975	Skahan	108/51.1
4,487,136	12/1984	Beckway	108/51.3
4,671,188	6/1987	Betro et al.	108/56.3
5,193,464	3/1993	Morden	108/56.3

FOREIGN PATENT DOCUMENTS

WO93/08088 4/1993 WIPO .

Primary Examiner—A. Hugo Word

Assistant Examiner—Robin V. Taylor

Attorney, Agent, or Firm—Nawrocki, Rooney & Sivertson

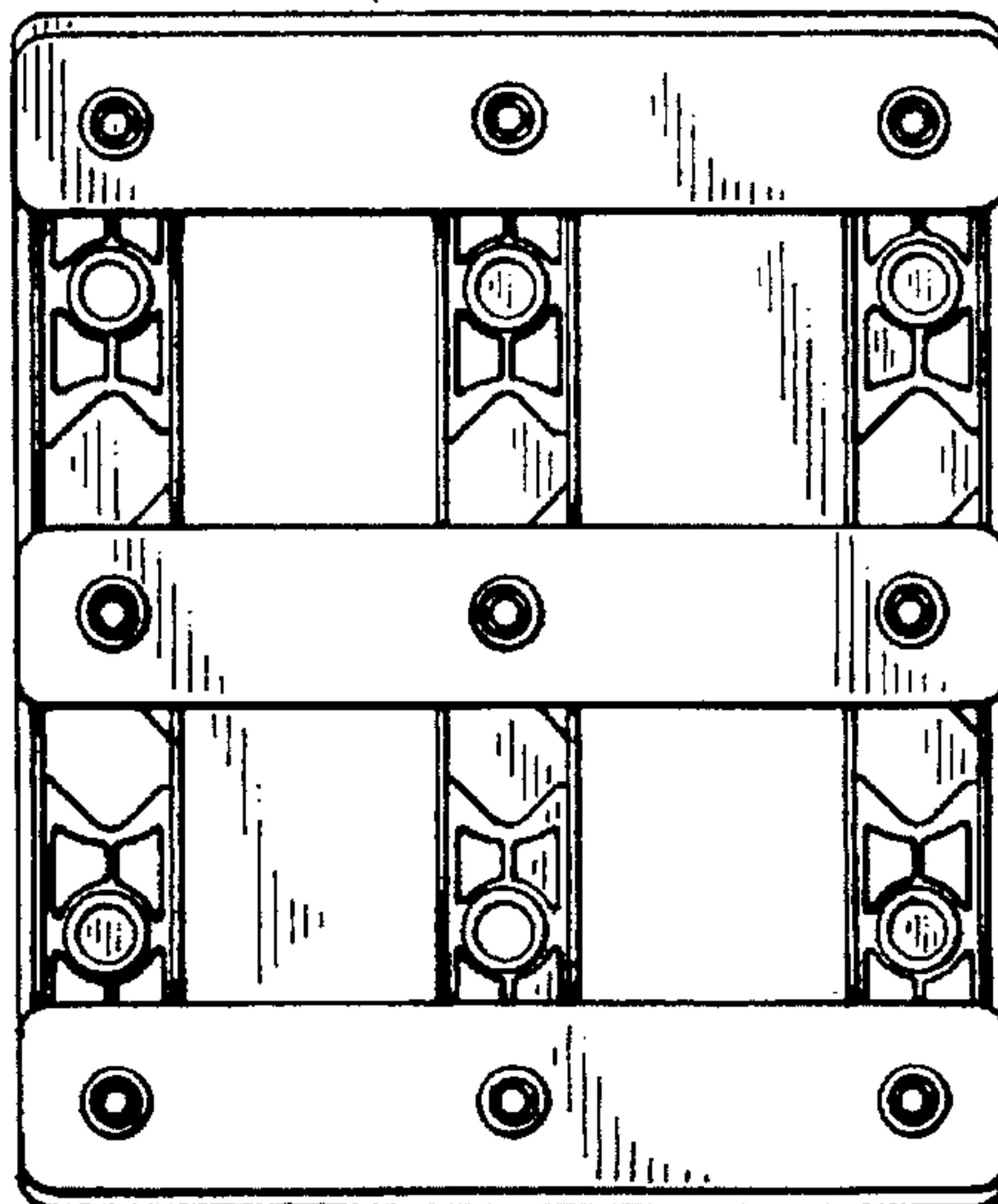
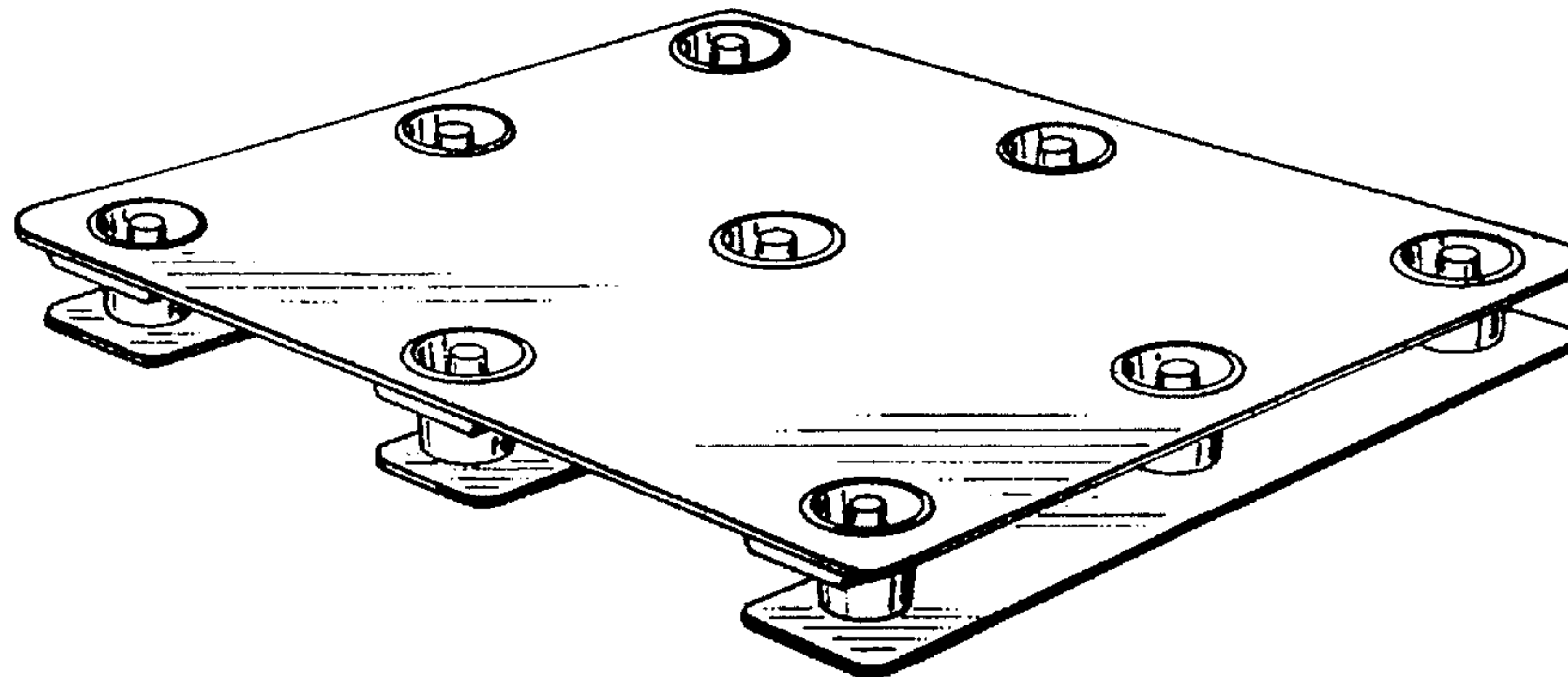
[57] **CLAIM**

The ornamental design for a pallet with deck support, as shown and described.

DESCRIPTION

FIG. 1 is a perspective view of a pallet with deck support showing my new design;
FIG. 2 is a top plan view thereof;
FIG. 3 is a bottom view thereof;
FIG. 4 is a front and back view thereof; and,
FIG. 5 is a view of both sides thereof.

1 Claim, 1 Drawing Sheet



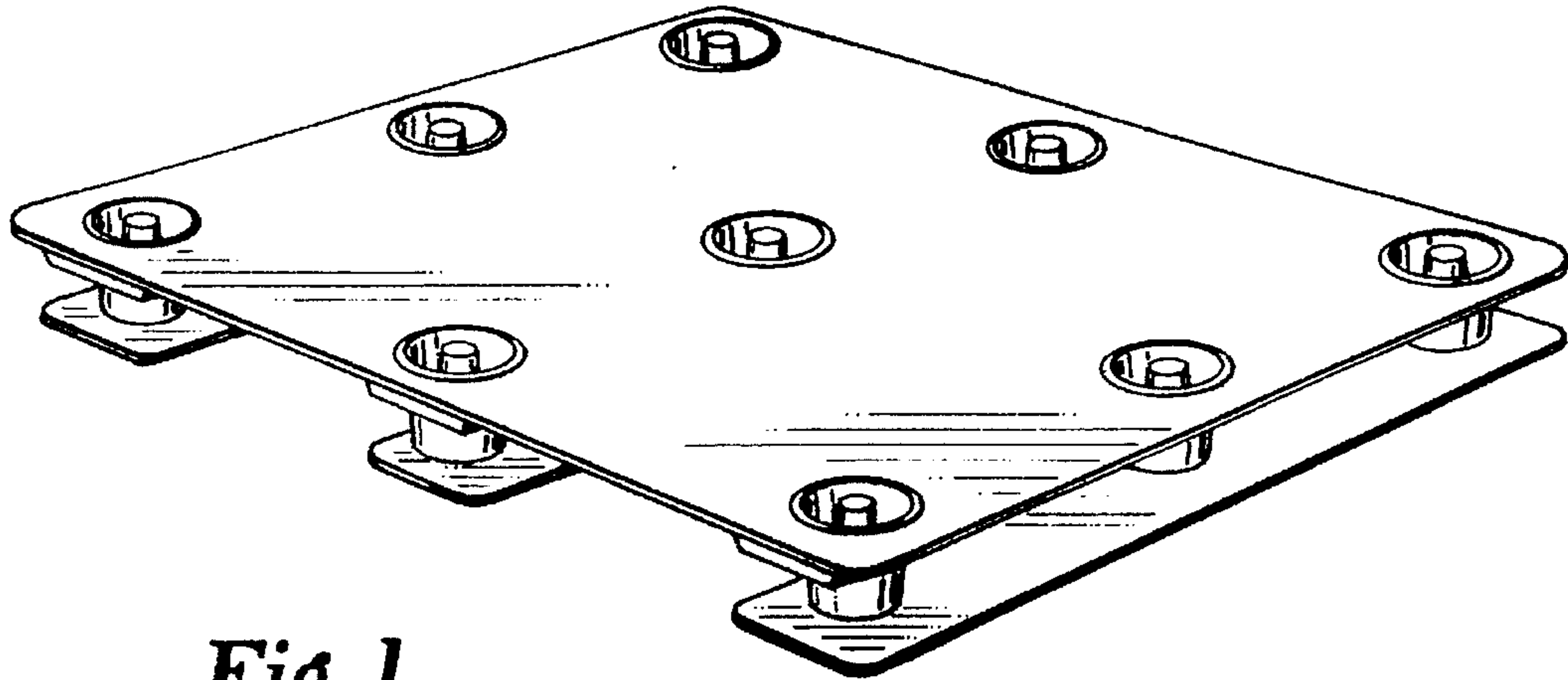


Fig. 1

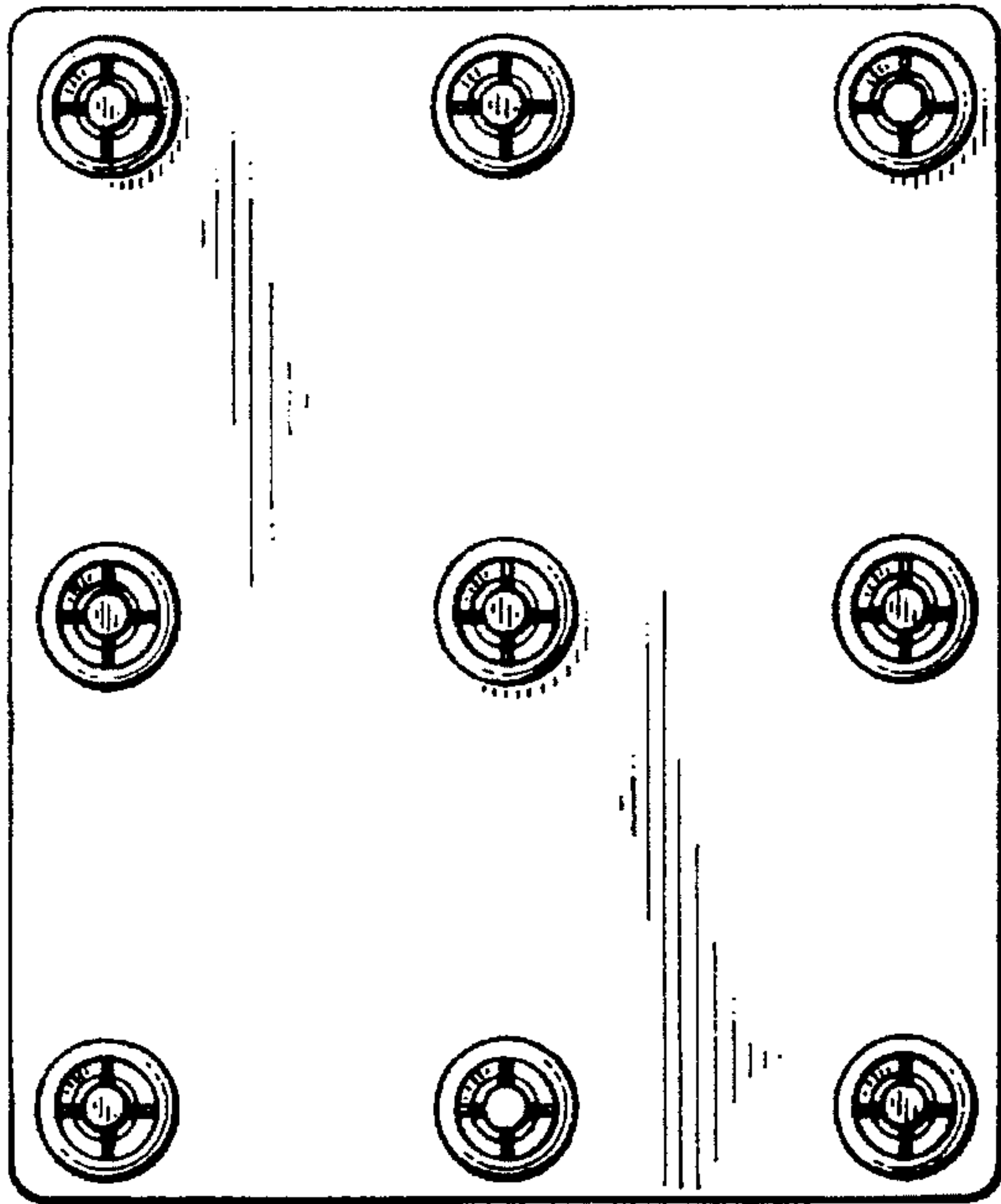


Fig. 2

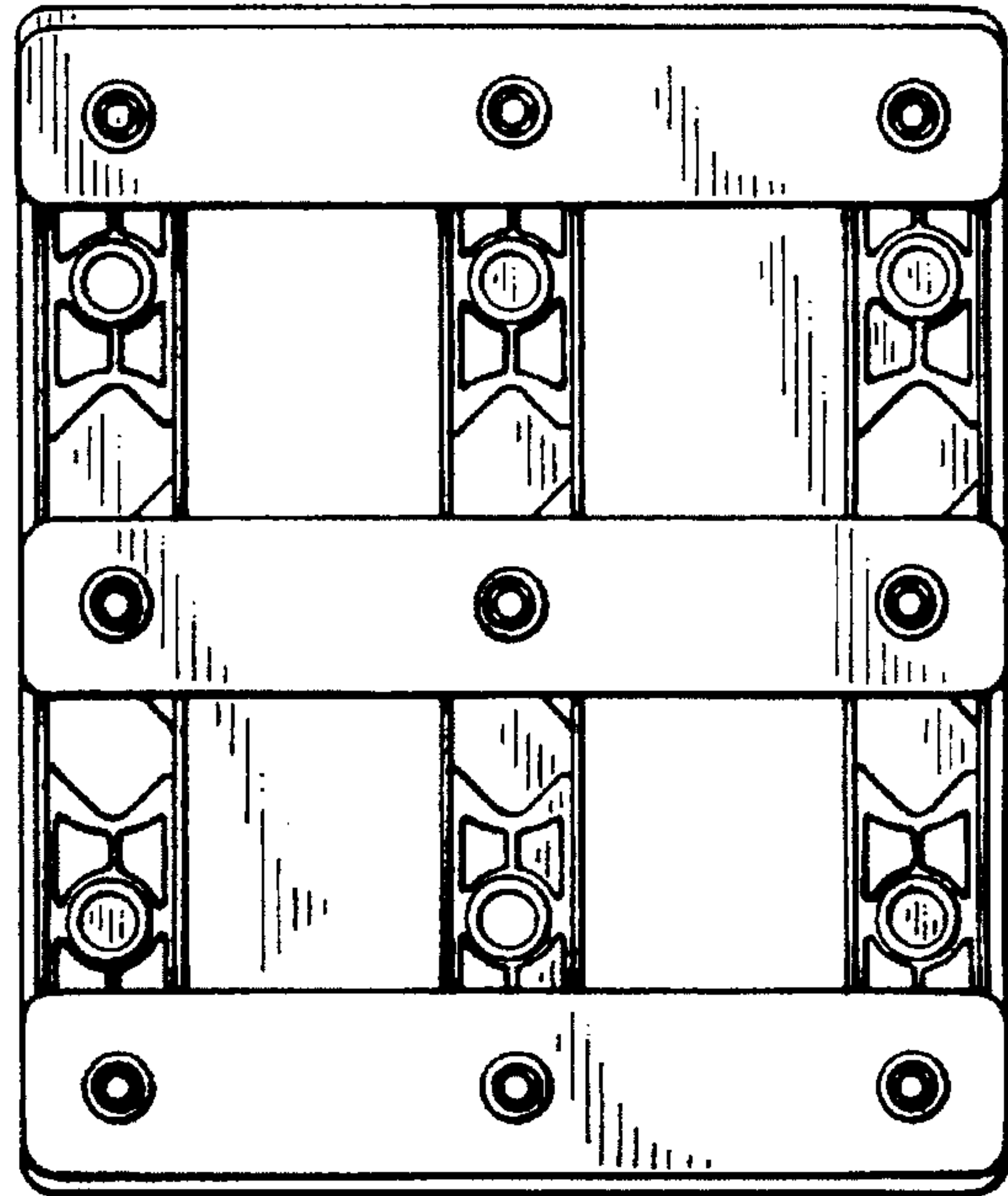


Fig. 3



Fig. 4



Fig. 5