



US00D379019S

**United States Patent** [19]  
**Hubbard**

[11] **Patent Number: Des. 379,019**

[45] **Date of Patent: \*\*\*Apr. 29, 1997**

[54] **COMBINED BELT CONVEYOR MOTION DETECTOR AND MATERIAL FLOW INDICATOR SWITCH**

[75] **Inventor: Brent F. Hubbard**, Sacramento, Calif.

[73] **Assignee: A. Teichert & SOn, Inc.**, Sacramento, Calif.

[\*] **Notice:** The portion of the term of this patent subsequent to Jan. 24, 2008, has been disclaimed.

[\*\*] **Term: 14 Years**

[21] **Appl. No.: 31,423**

[22] **Filed: Nov. 28, 1994**

[52] **U.S. Cl. .... D34/29; D13/171**

[58] **Field of Search .... D34/29; 198/830, 198/860.1, 502, 502.1, 502.2, 502.3, 502.4; D13/158, 171**

[56] **References Cited**

**U.S. PATENT DOCUMENTS**

Re. 30,551	3/1981	Hurt et al. ....	198/502.4
D. 343,611	1/1994	Hubbard .	
3,934,711	1/1976	Coutant .....	198/830
4,049,328	9/1977	Ouska et al. .	

*Primary Examiner*—James M. Gandy  
*Assistant Examiner*—Linda Brooks  
*Attorney, Agent, or Firm*—Lothrop & West

[57] **CLAIM**

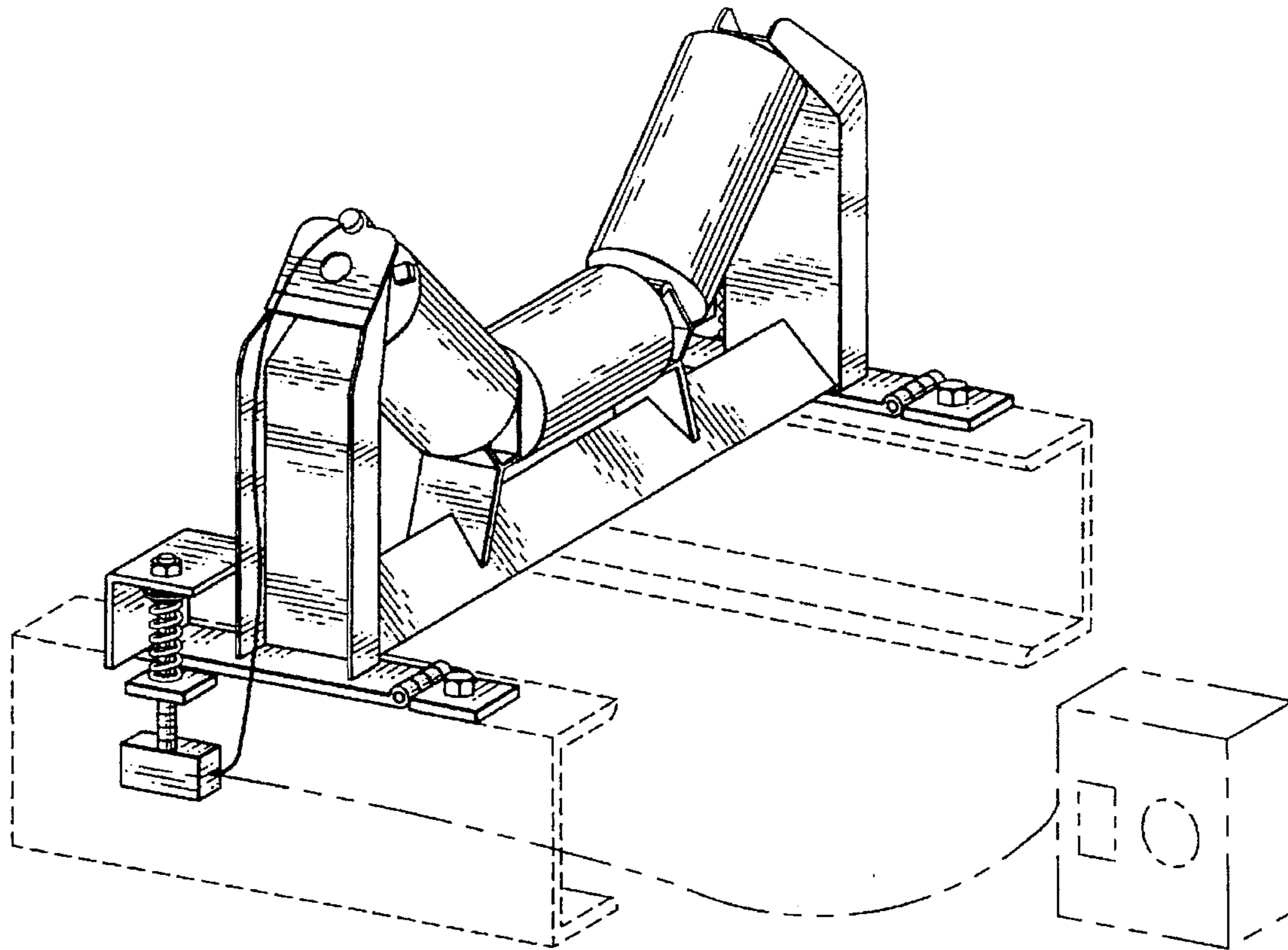
The ornamental design for a combined belt conveyor motion detector and material flow indicator switch, as shown and described.

**DESCRIPTION**

FIG. 1 is a left front perspective view of a combined belt conveyor motion detector and material flow indicator switch, showing my new design; FIG. 2 is a front elevational view thereof; FIG. 3 is a top plan view thereof; FIG. 4 is a rear elevational view thereof; FIG. 5 is a bottom plan view thereof; FIG. 6 is a right side elevational view thereof; FIG. 7 is a left side elevational view thereof; and, FIG. 8 is a left side elevational view thereof, similar to FIG. 7 but with the hinge plates and plungers in slightly angularly elevated position under upward urgency of the expansion springs in unloaded condition of the belt conveyor and with resultant separation of the left hand plunger from the microswitch.

The broken lines in FIGS. 1, 2, 3, 4, 5, 6, 7, and 8 illustrate the environment and form no part of the design.

**1 Claim, 2 Drawing Sheets**



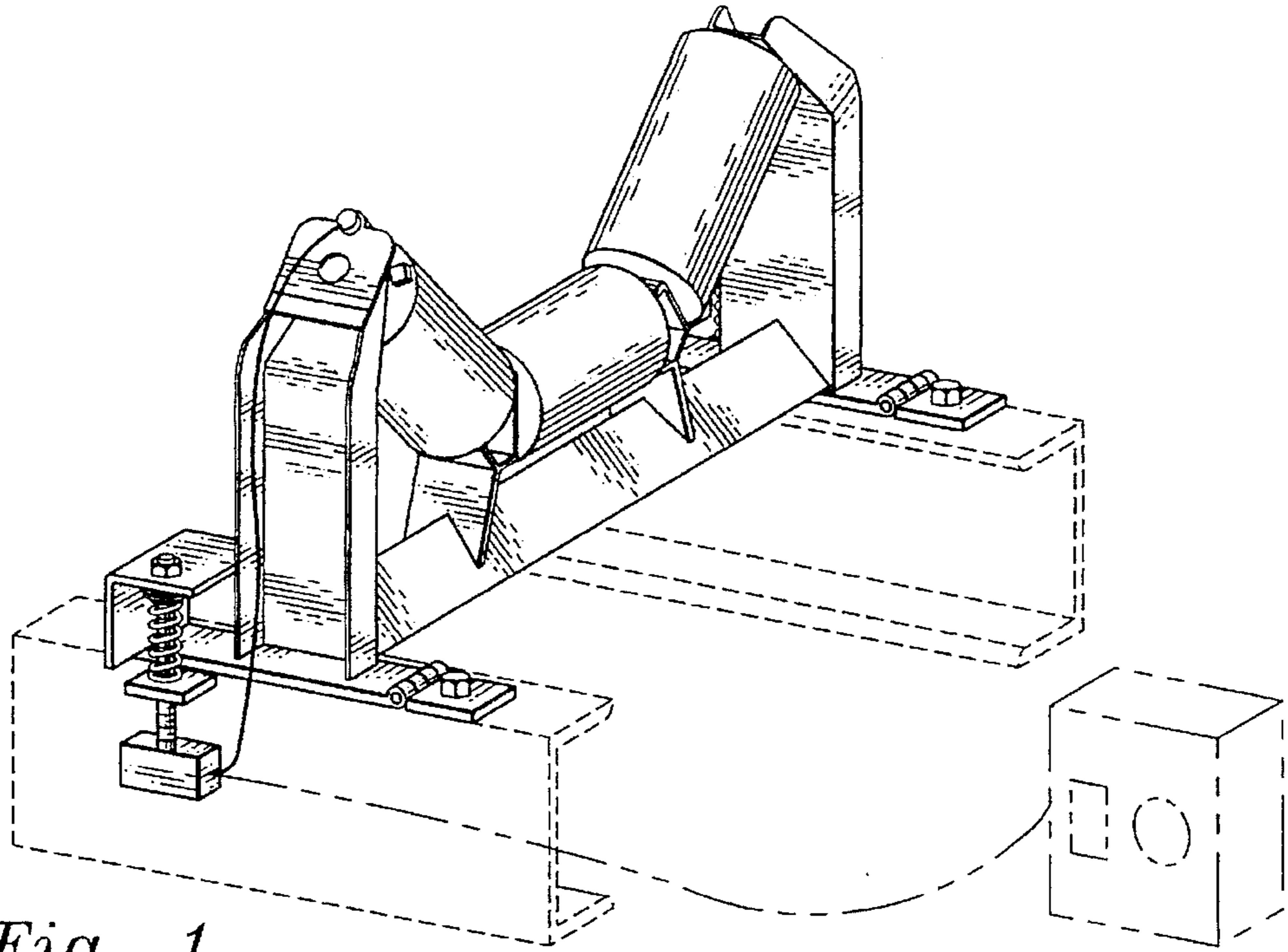


Fig. 1

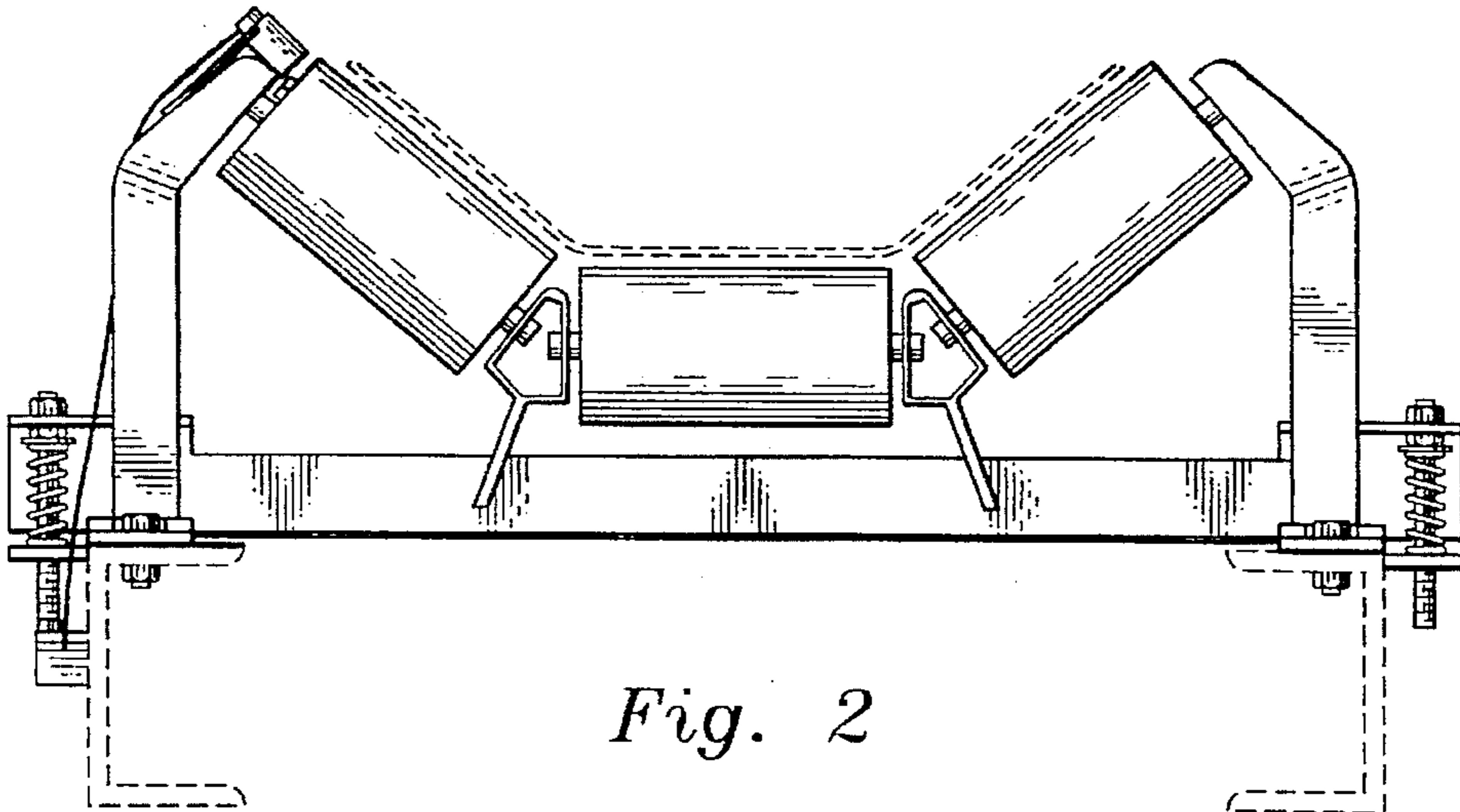


Fig. 2

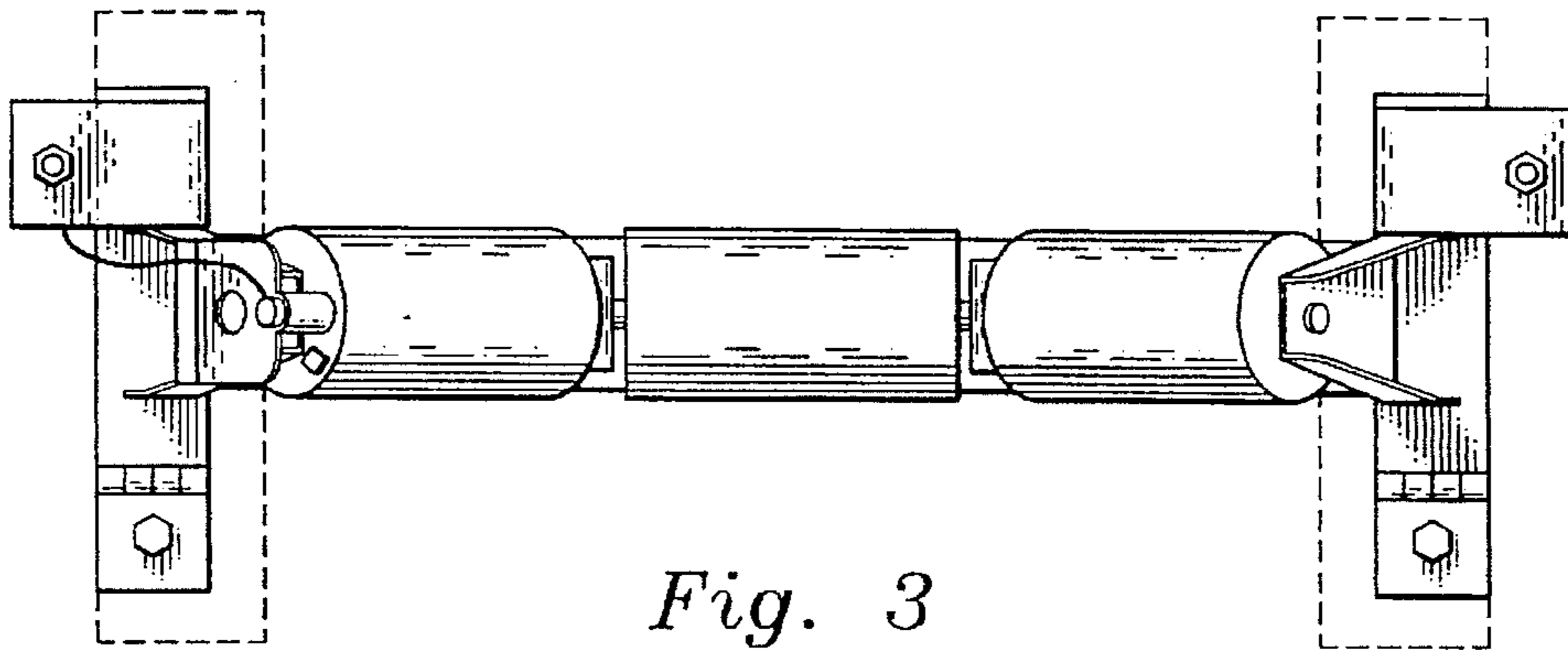


Fig. 3

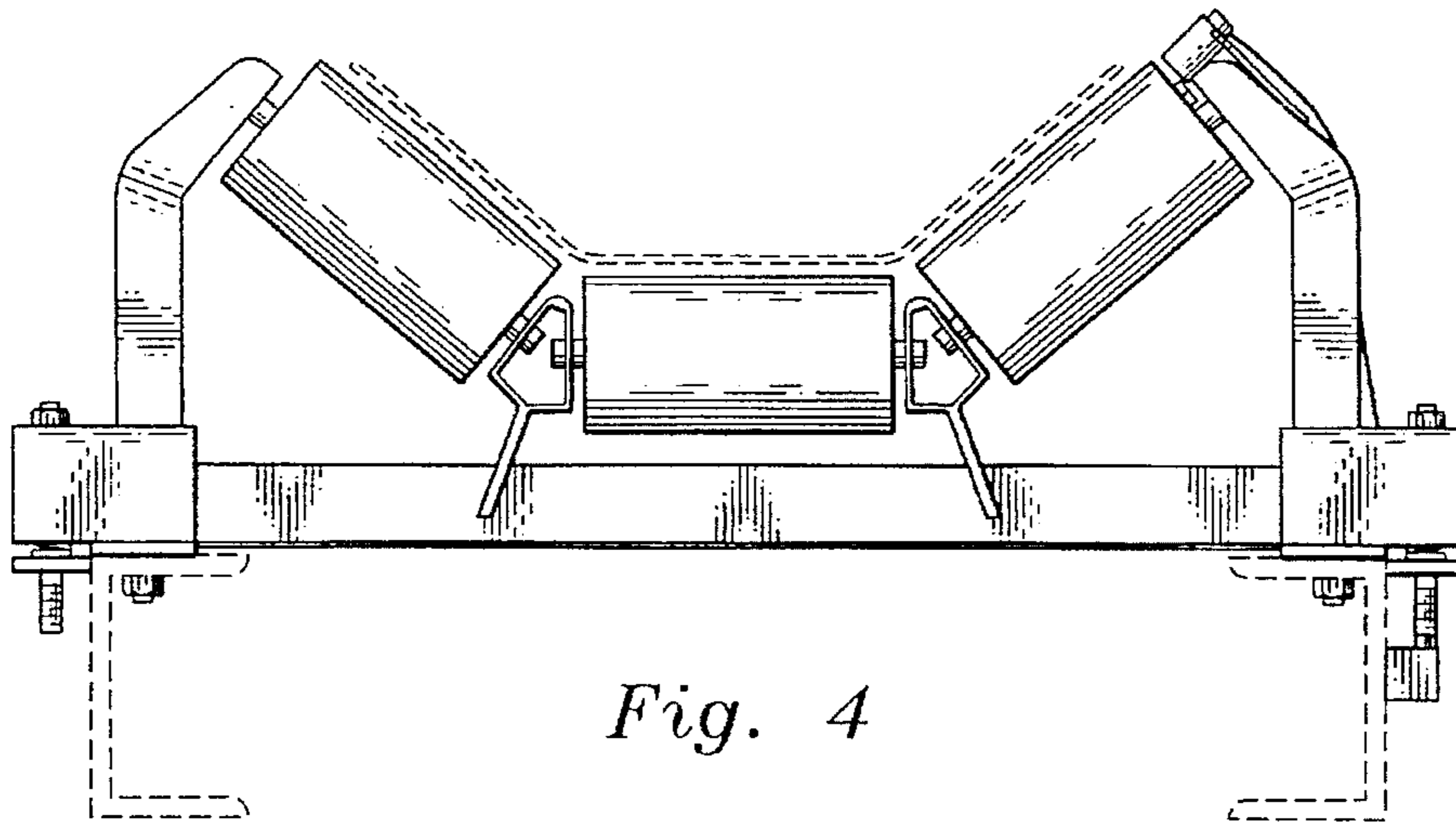


Fig. 4

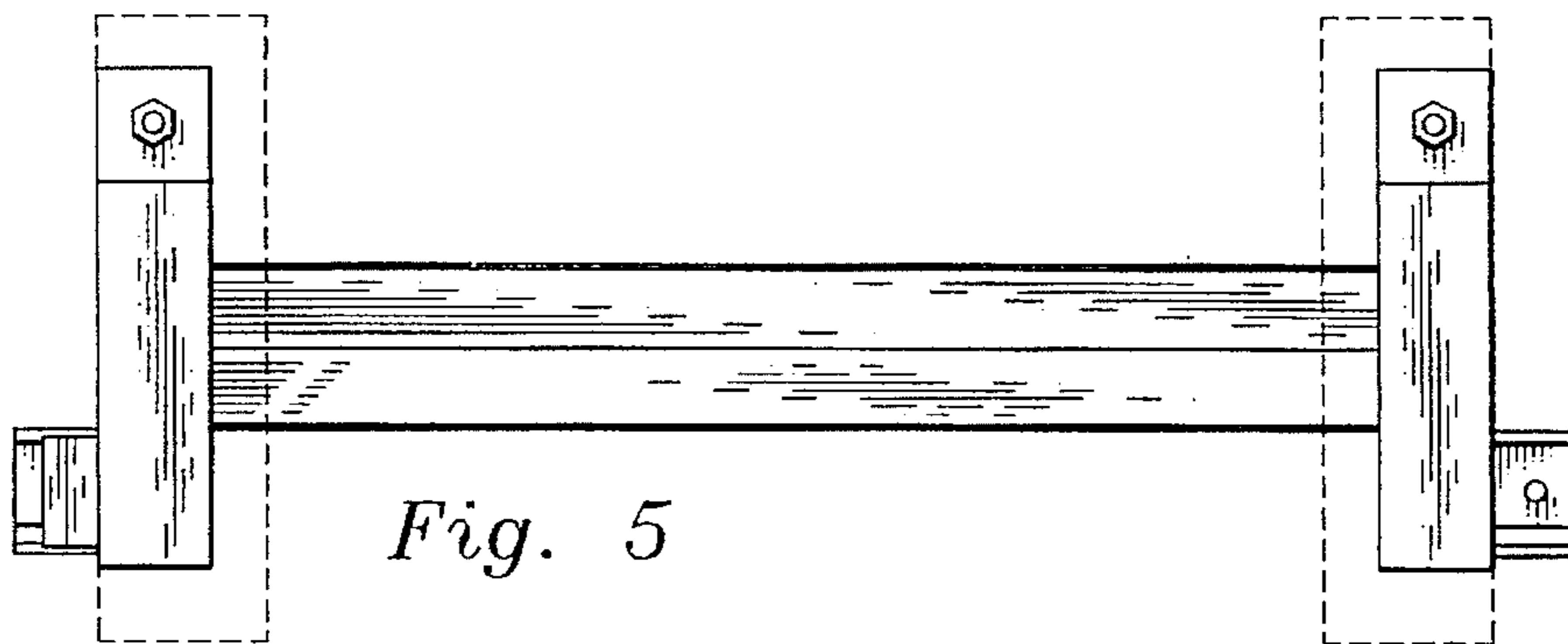


Fig. 5

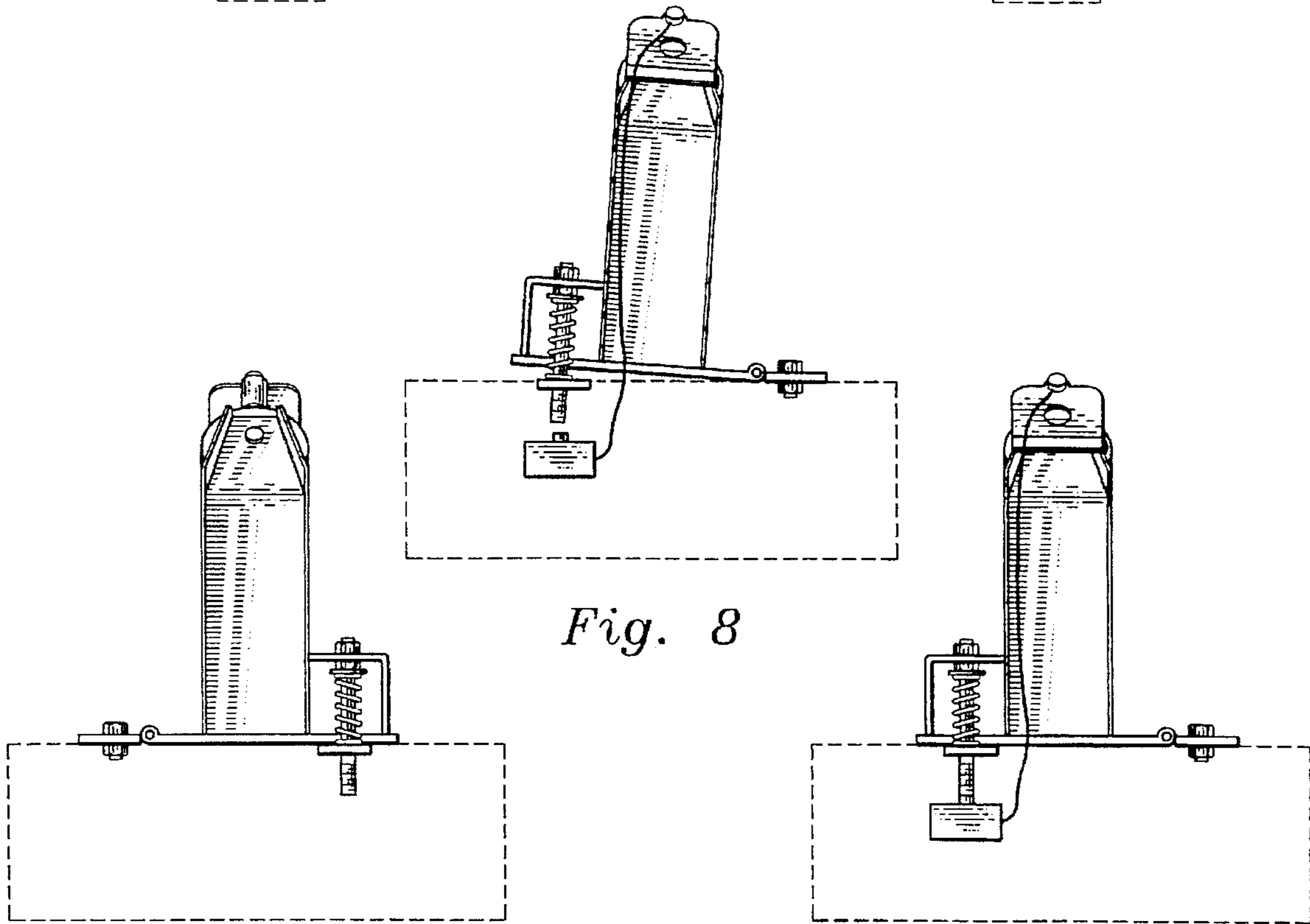


Fig. 8

Fig. 6

Fig. 7